



## DeltaSol® SL

With its versatile software, the RESOL DeltaSol® SL can control even complex systems easily and reliably. 27 pre-configured system layouts with up to 3 hydraulic variants each facilitate the commissioning and enable the adaptation to the individual system requirements.

The operation via 2 main buttons and 1 adjustment dial, the Lightwheel®, still follows the well-known operating concept.

The manual mode and the holiday function can be activated by pressing a single button.



rosenthal design



Modern design, many application possibilities!

- Integrated MicroSD card slot
- 4 relay outputs (incl. 1 potential-free extra-low voltage relay)
- 4 inputs for Pt1000, Pt500 or KTY temperature sensors
- Inputs for 1 analogue Grundfos Direct Sensor™ and 1 FlowRotor
- 1 V40 impulse input (also usable as a Pt1000, Pt500 or KTY temperature sensor input)
- 2 PWM outputs for the speed control of high-efficiency pumps
- 27 basic system layouts with up to 3 hydraulic variants each to choose from
- Automatic function control according to VDI 2169

### RESOL DeltaSol® SL

Price bracket A | Article no.: **115 003 33**

### RESOL DeltaSol® SL – Full kit

Incl. 4 Pt1000 sensors (2 x FKP6, 2 x FRP6)

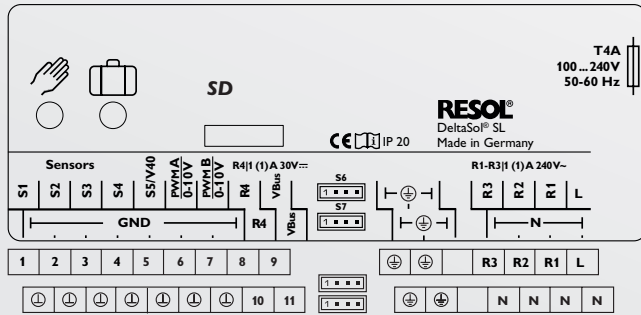
Price bracket A | Article no.: **115 003 43**

Customised and OEM versions are available on request. Please contact our sales team.

Manuals available:

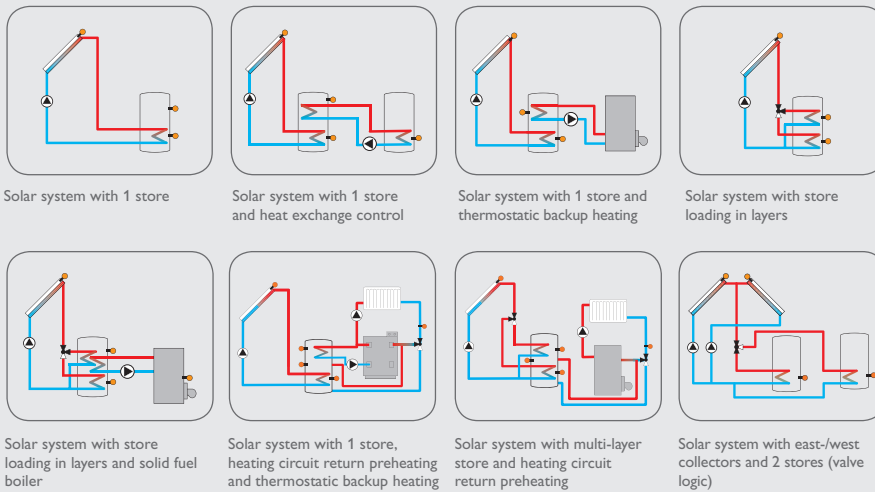


## ELECTRICAL CONNECTION



Sensor 6: Grundfos Direct Sensor™, Sensor 7: FlowRotor

## EXAMPLES



## ACCESSORIES

### RESOL DL2 Datalogger



For visualisation via VBus.net, incl. SD card and network cable, mains adapter and VBus® cable pre-connected

Price bracket A | Article no.: **180 007 10**

### MicroSD card



MicroSD card, 4 GB memory capacity, incl. adapter

Price bracket C | Article no.:  
**180 007 41**

### VFS/RPS Grundfos Direct Sensor™



Analogue sensors in different versions

### RESOL SP10



Sensor overvoltage protection

Price bracket A | Article no.:  
**180 110 70**

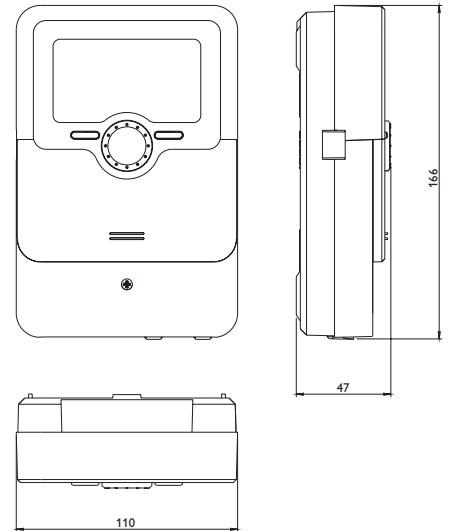
### RESOL AM1



Alarm module for signalling system failures

Price bracket B | Article no.:  
**180 008 70**

## TECHNICAL DATA



**Inputs:** 4 inputs for Pt1000, Pt500 or KTY temperature sensors, 1 analogue Grundfos Direct Sensor™, 1 FlowRotor, 1 V40 impulse input (also usable as a Pt1000, Pt500 or KTY temperature sensor input)

**Outputs:** 3 semiconductor relays, 1 potential-free extra-low voltage relay, 2 PWM outputs (switchable to 0-10V)

**PWM frequency:** 512 Hz

**PWM voltage:** 10.8 V

**Switching capacity:**

1 (1) A 240 V~ (semiconductor relay)

1 (1) A 30 V~ / 240 V~ (potential-free relay)

**Total switching capacity:** 3 A 240 V~

**Power supply:** 100 ... 240 V~ (50 ... 60 Hz)

**Supply connection:** type Y attachment

**Standby:** 0.69 W

**Temperature controls class:** I

**Energy efficiency contribution:** 1 %

**Mode of operation:** type 1.B.C.Y action

**Rated impulse voltage:** 2.5 kV

**Data interface:** RESOL VBus®, MicroSD card slot

**VBus® current supply:** 60 mA

**Functions:** operating hours counter, tube collector function, thermostat function, pump speed control, heat quantity measurement, adjustable system parameters and optional functions (menu-driven), balance and diagnostics function, function control according to VDI 2169

**Housing:** plastic, PC-ABS and PMMA

**Mounting:** wall mounting, mounting into patch panels is possible

**Indication / Display:** System-Monitoring-Display, for visualisation of the systems, 16-segment-display, 8 symbols for indication of the system status, operating control LED (Lightwheel®)

**Operation:**

4 push buttons and 1 adjustment dial (Lightwheel®)

**Ingress protection:** IP 20 / EN 60529

**Protection class:** I

**Ambient temperature:** 0 ... 40 °C

**Pollution degree:** 2

**Dimensions:** 110 x 166 x 47 mm