

INT./EXHAUST PIPES INSULATION KIT HEAT PUMP OPERATED WATER HEATER RAPAX V2 CODE 3.027545

GENERAL WARNINGS.

All Immergas products are protected with suitable transport packaging. The material must be stored in a dry place protected from the weather. This instruction manual provides technical information for installing the Immergas kit. As for the other issues related to kit installation (e.g. safety in the workplace, environmental protection, accident prevention), it is necessary to comply with the provisions specified in the regulations in force and with the principles of good practice.

Improper installation or assembly of the Immergas appliance and/or components, accessories, kits and devices can cause unexpected problems for people, animals and objects. Read the instructions provided with the product carefully to ensure proper installation.

Installation and maintenance must be performed in compliance with the regulations in force, according to the manufacturer's instructions and by professionally qualified staff, meaning staff with specific technical skills in the plant sector, as envisioned by the law.

FOREWORD.

The kit was designed for application to two 90° bends (D. 160 mm) and to two 1-metre pipes (D. 160 mm). If the length of the installed flue elements is less than that of the insulation layers inside the kit, we recommend trimming to obtain the desired length; if, instead, the length of the installed flue elements exceeds that of the insulation layers, we recommend purchasing another kit.

Warning: this kit can be applied ONLY to flue elements already installed.

INSTALLATION (FIG. 1).

Take the insulation layer (1) and trim it based on the relevant pipe, starting from the lower end of the gasket seat.

Wrap the insulation layer around the pipe, making sure that both sides at the bottom of the pipe match each other, then join it with the tape (3) provided. Repeat this operation on any straight piping sections.

Then take two insulation layers for the bend (2), remove the protective film of the adhesive tape and apply them to the bend, in the area between the two gasket seats

Repeat the operation on any other bends.

Finally, apply the tape (3) to connect the couplings between pipes and bends that have no insulation.

Kit composition		
Ref.	Description	Quantity
1	White polyethylene insulation layer, thickness 5 mm for pipe, D. 160 mm L. 1000 mm	2
2	White polyethylene insulation layer, thickness 5 mm for bend, D. 160 mm)	4
3	White polyethylene tape 2x70x4000 mm	1

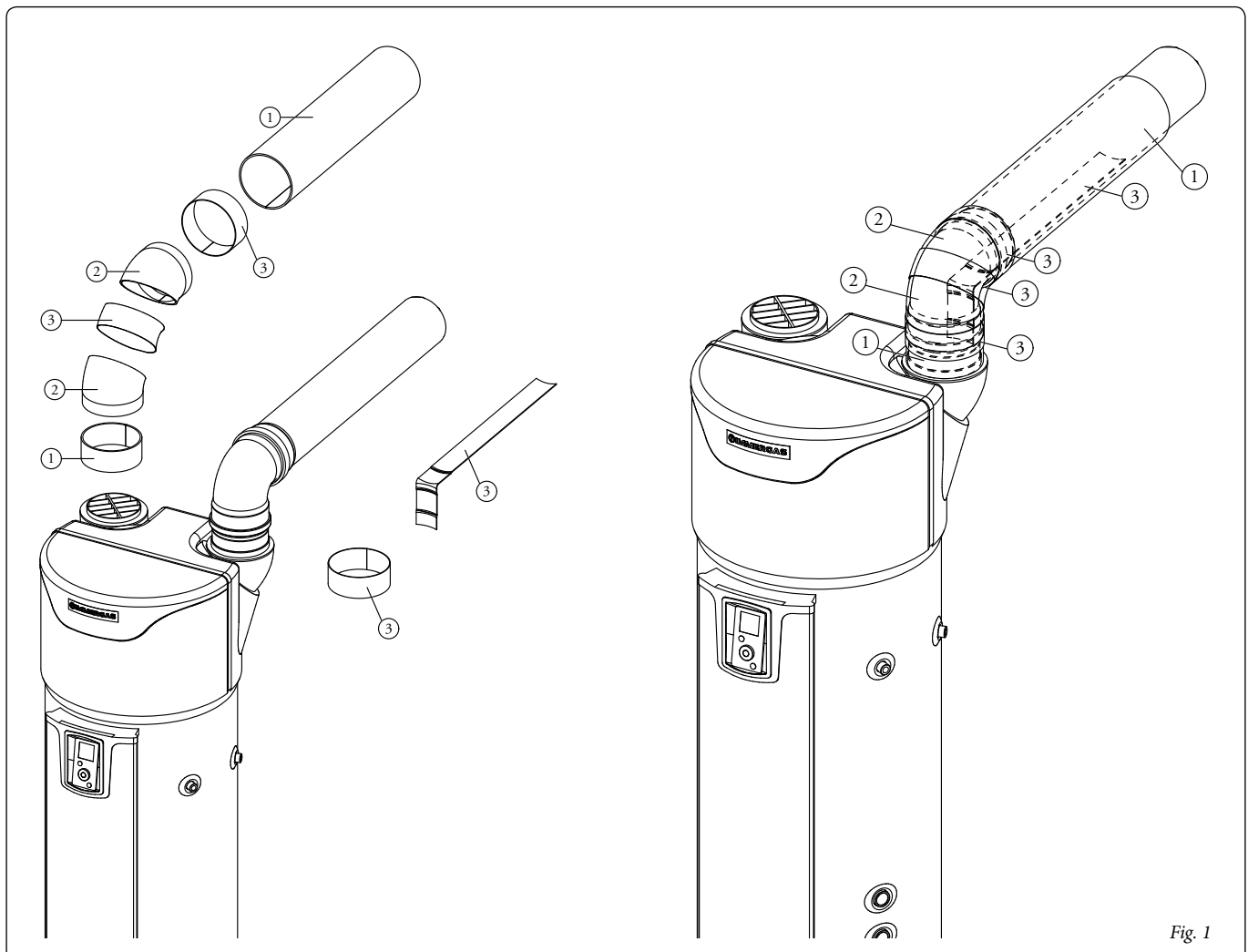


Fig. 1