



Instructions and recommendations

Installer
User
Maintenance technician

IE

MAGIS HERCULES PRO 12 - 14 - 16

(single and three-phase)

Heat pump consisting of:

- indoor unit

UI MHP AP

- external condensing unit

UE AUDAX PRO 12-14-16 V2

(single and three-phase)

1.045473ENG



INDEX

Dear Customer.....	4
Safety symbols used.....	6
Personal protective equipment	6
1 Installing the indoor unit.....	7
1.1 Description of the product.....	7
1.2 Installation warnings.....	7
1.3 Indoor unit main dimensions.....	10
1.4 Minimum indoor unit installation distances.....	11
1.5 Indoor unit hydraulic connection.....	12
1.6 Connecting the chiller line.....	12
1.7 Electrical connection	12
1.8 Remote zone control (Optional)	18
1.9 MODBUS temperature and humidity room probes (Optional).....	18
1.10 Room chrono-thermostats (Optional)	19
1.11 Humidistat ON/OFF (Optional)	20
1.12 External temperature probe (Optional)	20
1.13 Temperature control setting.....	21
1.14 System filling.....	22
1.15 Operating limits.....	22
1.16 Indoor unit start-up (ignition)	23
1.17 Circulation pump	23
1.18 Domestic hot water storage tank unit.....	29
1.19 Kits available on request	30
1.20 Main components.....	31
2 Instructions for use and maintenance	32
2.1 General recommendations.....	32
2.2 Cleaning and maintenance.....	34
2.3 Control panel	34
2.4 System use	35
2.5 Operating mode.....	36
2.6 Parameters and information menu	41
2.7 Fault and anomaly signals	55
2.8 Restore central heating system pressure.....	63
2.9 Draining the system	63
2.10 Emptying the D.H.W. circuit.....	63
2.11 Storage tank draining.....	63
2.12 Cleaning the case.....	63
2.13 Permanent shutdown	63
3 Instructions for maintenance and initial check.....	64
3.1 General recommendations.....	64
3.2 Initial check.....	64
3.3 Yearly appliance check and maintenance	65
3.4 Finned air coil maintenance.....	65
3.5 Hydraulic diagram.....	66
3.6 Wiring diagram.....	67
3.7 System filter	75
3.8 Troubleshooting.....	75
3.9 P.C.B. programming.....	76
3.10 First ignition parameter setting.....	87
3.11 DHW (Domestic hot water) BOOST function	88
3.12 Anti-Legionella function	88
3.13 DHW recirculation function	88
3.14 Pump anti-block function	88
3.15 Three-way anti-block system	88
3.16 System setpoint correction function.....	89
3.17 Photovoltaic function.....	89
3.18 Integration with the system electrical resistances	89
3.19 Zone 2/3 safety thermostat function.....	89
3.20 Conjunction Mode	89
3.21 Heat pump disabling function.....	90
3.22 Diverter valve management (summer / winter).....	90
3.23 External probe setting.....	90
3.24 Manual drives.....	90
3.25 Outdoor condensing unit test mode function.....	90
3.26 Outdoor Unit Pump Down Function	90
3.27 Supervision device configuration.....	90
3.28 Casing removal	91
3.29 Indoor unit separation.....	98
4 Technical data.....	102
4.1 Technical data table (single-phase).....	102
4.2 Technical data table (three-phase)	104
4.3 Magis Hercules Pro 12 product fiche (in compliance with Regulation 811/2013)	106
4.4 Magis Hercules Pro 12T product fiche (in compliance with Regulation 811/2013)	107
4.5 Magis Hercules Pro 12 - 12T Parameters.....	108
4.6 Magis Hercules Pro 14 product fiche (in compliance with Regulation 811/2013)	110
4.7 Magis Hercules Pro 14T product fiche (in compliance with Regulation 811/2013)	111
4.8 Magis Hercules Pro 14 - 14T Parameters.....	112
4.9 Magis Hercules Pro 16 product fiche (in compliance with Regulation 811/2013)	114
4.10 Magis Hercules Pro 16T product fiche (in compliance with Regulation 811/2013)	115
4.11 Magis Hercules Pro 16 - 16T Parameters.....	116
4.12 Parameters for filling in the package fiche	118

Dear Customer

Congratulations for having chosen a top-quality Immergas product, able to assure well-being and safety for a long period of time. As an Immergas customer you can also count on a Qualified Authorised After-Sales Technical Assistance Centre, prepared and updated to guarantee constant efficiency of your appliance. Read the following pages carefully: you will be able to draw useful tips on the proper use of the device, compliance with which will confirm your satisfaction with the Immergas product.

For assistance and routine maintenance, contact Authorised Technical Service Centres: they have original spare parts and are specifically trained directly by the manufacturer.

Thermal systems must undergo periodic maintenance and scheduled checks of the energy efficiency in compliance with national, regional or local provisions in force.

The company **IMMERGAS S.p.A.**, with registered office in via Cisa Ligure 95 42041 Brescello (RE), declares that the design, manufacturing and after-sales assistance processes comply with the requirements of standard **UNI EN ISO 9001:2015**.

For further details on the product CE marking, request a copy of the Declaration of Conformity from the manufacturer, specifying the appliance model and the language of the country.

The manufacturer declines all liability due to printing or transcription errors, reserving the right to make any modifications to its technical and commercial documents without forewarning.



GENERAL RECOMMENDATIONS

This book contains important information for the:

Installer (section 1);

User (section 2);

Maintenance Technician (section 3).

- The user must carefully read the instructions in the specific section (section 2).
- The user must limit operations on the appliance only to those explicitly allowed in the specific section.
- **Every operation carried out on the heat pump (e.g. set up, inspection, installation and commissioning), must mandatorily be performed by authorised personnel alone and in possession of a technical engineering or professional degree qualifying them to perform these tasks. They must also have attended a refresher course acknowledged by competent authorities. This particularly applies to personal specialised in C.H. and air-conditioning systems and qualified electricians who, due to their specialised training, skills and experience are experts in the correct installation and maintenance of C.H., cooling and air-conditioning systems.**
- The appliance must be installed by qualified and professionally trained personnel.
- The instruction booklet is an integral and essential part of the product and must be given to the new user in the case of transfer or succession of ownership.
- It must be stored with care and consulted carefully, as all of the warnings provide important safety indications for installation, use and maintenance stages.
- In compliance with the legislation in force, the systems must be designed by qualified professionals, within the dimensional limits established by the Law. Installation and maintenance must be performed in compliance with the regulations in force, according to the manufacturer's instructions and by professionally qualified staff, meaning staff with specific technical skills in the plant sector, as provided for by Law.
- Improper installation or assembly of the Immergas device and/or components, accessories, kits and devices can cause unexpected problems for people, animals and objects. Read the instructions provided with the product carefully to ensure proper installation.
- This instructions manual provides technical information for installing Immergas products. As for the other issues related to the installation of products (e.g. safety at the workplace, environmental protection, accident prevention), it is necessary to comply with the provisions of the standards in force and the principles of good practice.
- All Immergas products are protected with suitable transport packaging.
- The material must be stored in a dry place protected from the weather.
- Damaged products must not be installed.
- Maintenance must be carried out by skilled technical staff. For example, the Authorised Service Centre that represents a guarantee of qualifications and professionalism.
- The appliance must only be destined for the use for which it has been expressly declared. Any other use will be considered improper and therefore potentially dangerous.
- If errors occur during installation, operation and maintenance, due to non-compliance with technical laws in force, standards or instructions contained in this booklet (or however supplied by the manufacturer), the manufacturer is excluded from any contractual and extra-contractual liability for any damages and the device warranty is invalidated.
- In the event of malfunctions, faults or incorrect operation, turn the appliance off and contact an authorised company (e.g. the Authorised Technical Assistance Centre, which has specifically trained staff and original spare parts). Do not attempt to modify or repair the appliance alone.

SAFETY SYMBOLS USED



GENERIC HAZARD

Strictly follow all of the indications next to the pictogram. Failure to follow the indications can generate hazard situations resulting in possible harm to the health of the operator and user in general, and/or property damage.



ELECTRICAL HAZARD

Strictly follow all of the indications next to the pictogram. The symbol indicates the appliance's electrical components or, in this manual, identifies actions that can cause an electrical hazard.



WARNING FOR INSTALLER

Read the instruction booklet carefully before installing the product.



WARNINGS

Strictly follow all of the indications next to the pictogram. Failure to follow the indications can generate hazard situations resulting in possible minor injuries to the health of both the operator and the user in general, and/or slight material damage.



ATTENTION

Read and understand the instructions of the appliance before carrying out any operation, carefully following the instructions given. Failure to observe the instructions may result in malfunction of the unit.



INFORMATION

Indicates useful tips or additional information.



EARTH TERMINAL CONNECTION

The symbol identifies the appliance's earth terminal connection point.



DISPOSAL WARNING

The user must not dispose of the appliance at the end of its service life as municipal waste, but send it to appropriate collection centres.

PERSONAL PROTECTIVE EQUIPMENT



SAFETY GLOVES



EYE PROTECTION



SAFETY FOOTWEAR

1 INSTALLING THE INDOOR UNIT

1.1 DESCRIPTION OF THE PRODUCT.

Magis Hercules Pro 12-14-16 (single-phase and three-phase) is a heat pump consisting of:

- UIMHP AP (single-phase and three-phase) indoor unit (hereinafter called, indoor unit or UIMHP).
- UE Audax Pro 12-14-16 V2 outdoor condensing unit (single-phase and three-phase) (hereinafter referred to as outdoor condensing unit or UE Audax Pro).

Magis Hercules Pro 12-14-16 (single-phase and three-phase) is perfectly operational only if the two units are correctly powered and interconnected.

The UIMHP indoor unit was designed solely for floor installation for heating and air conditioning and to produce domestic hot water for domestic use and similar purposes.

For normal operation it must be paired with one of the following outdoor condensing units:

- UE AUDAX PRO 12 V2;
- UE AUDAX PRO 12 V2 T;
- UE AUDAX PRO 14 V2;
- UE AUDAX PRO 14 V2 T;
- UE AUDAX PRO 16 V2;
- UE AUDAX PRO 16 V2 T.

Accordingly, it is necessary to comply with all of the rules regarding safety and the use of both appliances.

Accordingly, it is necessary to comply with all of the rules regarding safety and the use of both appliances.

1.2 INSTALLATION WARNINGS



Operators who install and service the appliance must wear the personal protective equipment required by applicable law.



The place of installation of the appliance and relative Immergas accessories must have suitable features (technical and structural), such as to allow for (always in safe, efficient and comfortable conditions):

- installation (according to the provisions of technical legislation and technical regulations);
- maintenance operations (including scheduled, periodic, routine and special maintenance);
- removal (to outdoors in the place for loading and transporting the appliances and components) as well as the eventual replacement of those with appliances and/or equivalent components.



Installation must be carried out according to regulation standards, current legislation and in compliance with local technical regulations and the required technical procedures.



**The appliance operates with R410A refrigerant gas.
This gas is ODOURLESS.
Pay the utmost attention
Strictly follow the instruction handbook of the outdoor condensing unit before installation and any type of operation on the cooling line.**



The manufacturer declines all liability in the event of damage caused by appliances removed from other systems or for any non-conformities with such equipment.

INSTALLER

USER

MAINTENANCE TECHNICIAN

TECHNICAL DATA



Only a professionally enabled company is authorised to install Immergas appliances.



Check the environmental operating conditions of all parts relevant to installation, referring to this booklet.



If installing a kit or servicing the appliance, always empty the system's domestic hot water circuit first so as not to compromise the appliance's electrical safety (Parag. 2.9).

Always disconnect the appliance from voltage and, depending on the type of operation, decrease the pressure and/or bring it to zero in the gas and DHW circuits.



Before installing the appliance, ensure that it is delivered in perfect condition; if in doubt, contact the supplier immediately.

Packing materials (staples, nails, plastic bags, polystyrene foam, etc.) constitute a hazard and must be kept out of the reach of children.

If the appliance is installed inside or between cabinets, ensure sufficient space for routine servicing; for minimum installation distances, see Fig. 2.



Keep all flammable objects away from the appliance (paper, rags, plastic, polystyrene, etc.).



Any modification to the appliance that is not explicitly indicated in this section of the booklet is forbidden.

Installation standards



This indoor unit must be installed in an environment in which the temperature cannot fall below 0°C.
Do not expose the indoor unit to atmospheric agents.



This type of installation is possible when permitted by the laws in force in the appliance's country of destination.



Do not install in places/rooms that constitute public areas of apartment buildings, internal stairways or other escape routes (e.g. floor landings, entrance halls, etc.).



To prevent electrocution, fire or injury, always switch off the unit, disable the protective switch and, if smoke escapes or if the unit is extremely noisy, contact the Authorised After-Sales Technical Assistance Centre.



Do not install in places where there is the risk of combustible gas escaping.



Do not install near sources of heat.



Pay attention not to generate sparks as follows:

- **Do not remove the fuses while the unit is on.**
 - **Do not unplug the unit while it is on.**
- It is recommended to install the outlet high up. Lay the cables in such a way that they do not get tangled.**



This indoor unit is used to heat water to below boiling temperature in atmospheric pressure.



They must be connected to a central heating system and domestic hot water circuit suited to their performance and capacity.



The appliance is built to also operate in cooling mode.

If cold water production, during summer, could interfere and damage the central heating only systems, necessary precautions must be taken to prevent that an unintentional production of cold water enters the heating only system.



Failure to comply with the above implies personal responsibility and invalidates the warranty.

“Anti-legionella” thermal treatment of the accumulation storage tank.



The anti-Legionella function is programmed directly on the control panel.

During this phase, the temperature of the water inside the tank exceeds 60°C with the subsequent risk of burns.

Keep this domestic hot water treatment under control (and inform the users) to prevent unforeseeable damage to people, animals, things.

If required install a thermostatic valve on the domestic hot water outlet to prevent scalding.

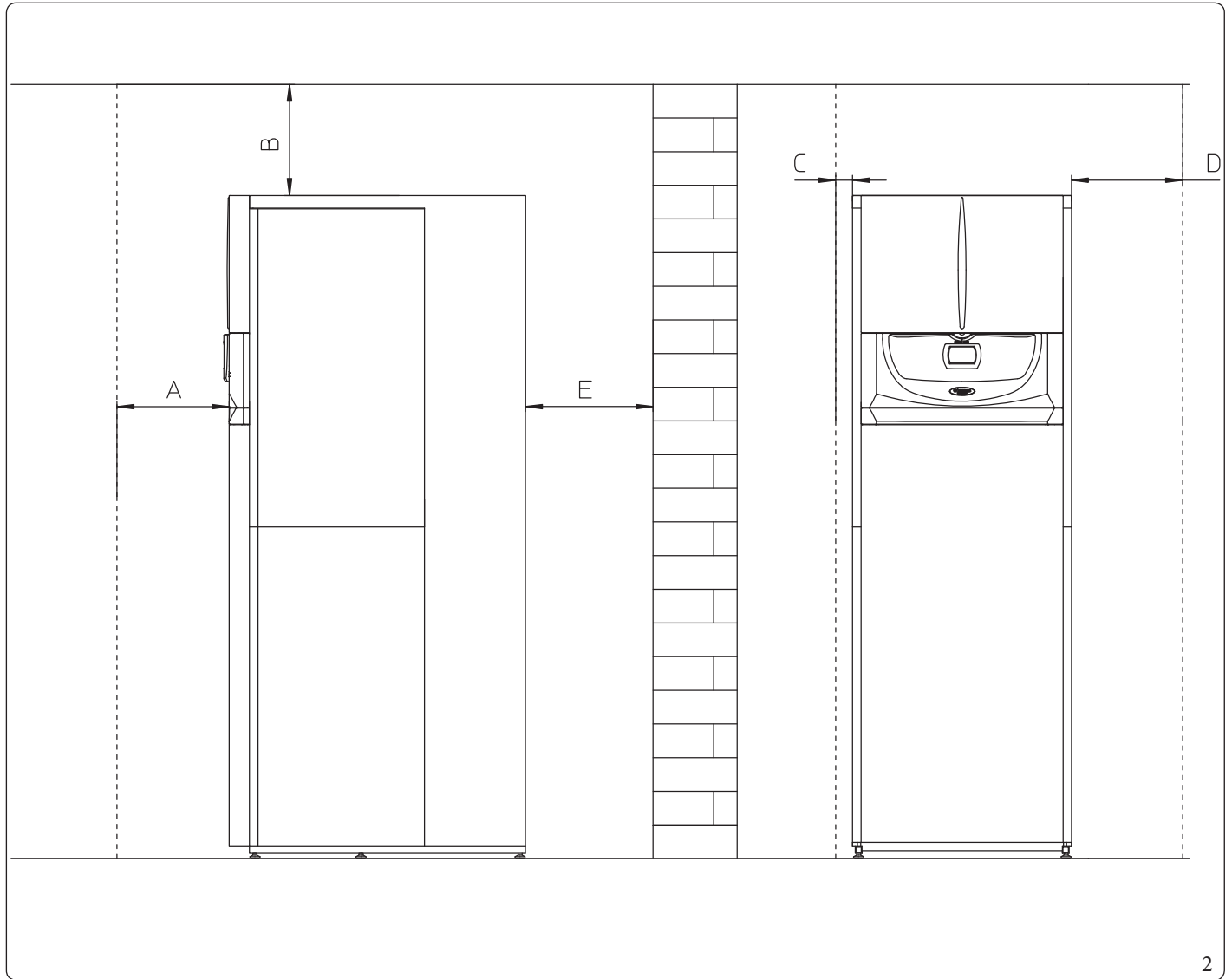
INSTALLER

USER

MAINTENANCE TECHNICIAN

TECHNICAL DATA

1.4 MINIMUM INDOOR UNIT INSTALLATION DISTANCES



Key (Fig. 2):

- A - 500 mm
- B - 200 mm
- C - 30 mm
- D - 400 mm
- E - 10 mm

INSTALLER

USER

MAINTENANCE TECHNICIAN

TECHNICAL DATA

1.5 INDOOR UNIT HYDRAULIC CONNECTION

3 and 8 bar safety valve



The appliance safety valves outlet must be connected to a draining funnel.

Otherwise, the appliance's manufacturer declines any responsibility in case of flooding if the drain valves cut.

A treatment of the heating and water system water is required, in compliance with the technical standards in force, in order to protect the system and the appliance from deposits (e.g. scale), slurry or other hazardous deposits.

Water connections must be made in a rational way using the couplings on the indoor unit template.



The manufacturer declines all liability in the event of damage caused by the installation of an automatic filling system.

In order to meet the system requirements established by EN 1717 in terms of pollution of drinking water, we recommend installing the IMMERGAS anti-backflow kit to be used upstream of the cold water inlet connection of the indoor unit. We also recommend using category 2 heat transfer fluid (ex: water + glycol) in the primary circuit (heating and/or cooling circuit), as defined in standard EN 1717.



To preserve the duration of appliance efficiency features, in the presence of water whose features can lead to the deposit of lime scale, installation of the "polyphosphate dispenser" kit is recommended.

1.6 CONNECTING THE CHILLER LINE

As far as connecting the chiller line is concerned, all the instructions contained in the outdoor condensing unit instructions booklet must be followed.

Make the connections directly on the indoor unit couplings.

1.7 ELECTRICAL CONNECTION

Indoor unit electrical connection

The internal unit has an IPX5D degree of protection; electrical safety of the appliance is achieved only when it is properly connected to an efficient earthing system, as specified by current safety standards.



The manufacturer declines any responsibility for damage or physical injury caused by failure to connect the indoor unit to an efficient earthing system or failure to comply with the IEC reference standards.

Connections are provided both to the control panel (Fig. 6) and to the main panel (Fig. 7).

Main panel opening (Fig. 3).

To open the main panel, simply follow the instructions below:

1. Remove the aesthetic profile.
2. Disassemble the lower front.
3. Loosen the screws (a)
4. Remove the main panel cover (b).

Ensure that the electrical installation corresponds to maximum absorbed power specifications as shown on the indoor unit data nameplate.

Indoor units are supplied complete with an "X" type power cable (c) without plug.



The power supply cable must be connected to a 230V $\pm 10\%$ / 50Hz mains supply respecting L-N polarity and earth connection; this network must also have a multi-pole circuit breaker with class III overvoltage category in compliance with installation regulations.



To protect from possible dispersions of DC voltage, it is necessary to provide a type A differential safety device.



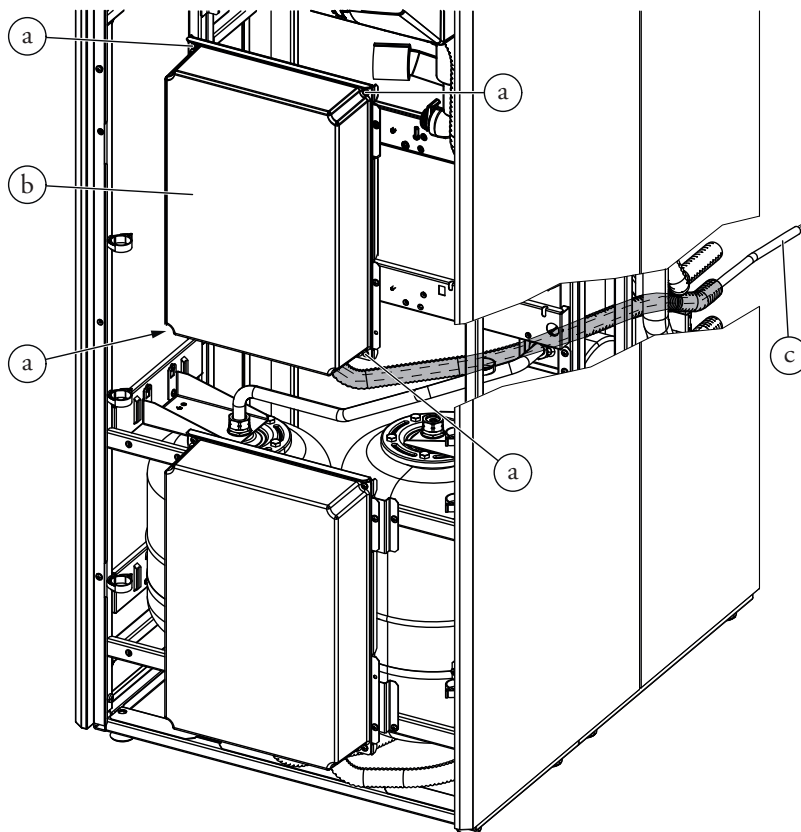
If the power supply cable is damaged, it must be replaced by a special cable or assembly, which are only available from the manufacturer or its Authorised After-Sales Technical Assistance Centre. It is recommended to contact a qualified company (e.g. the Authorised After-Sales Technical Assistance Centre) for replacement to avoid a hazard.

The power cable must be laid as shown (Fig. 3).

If the fuses on the circuit boards need to be replaced, this must also be done by qualified personnel.

The appliance is equipped with two fuses: one 3.15A rapid 230 V fuse and one 10 A rapid 230 V fuse for integrative resistance.

For the main power supply to the appliance, never use adapters, multiple sockets or extension leads.



Electrical connections to the main panel

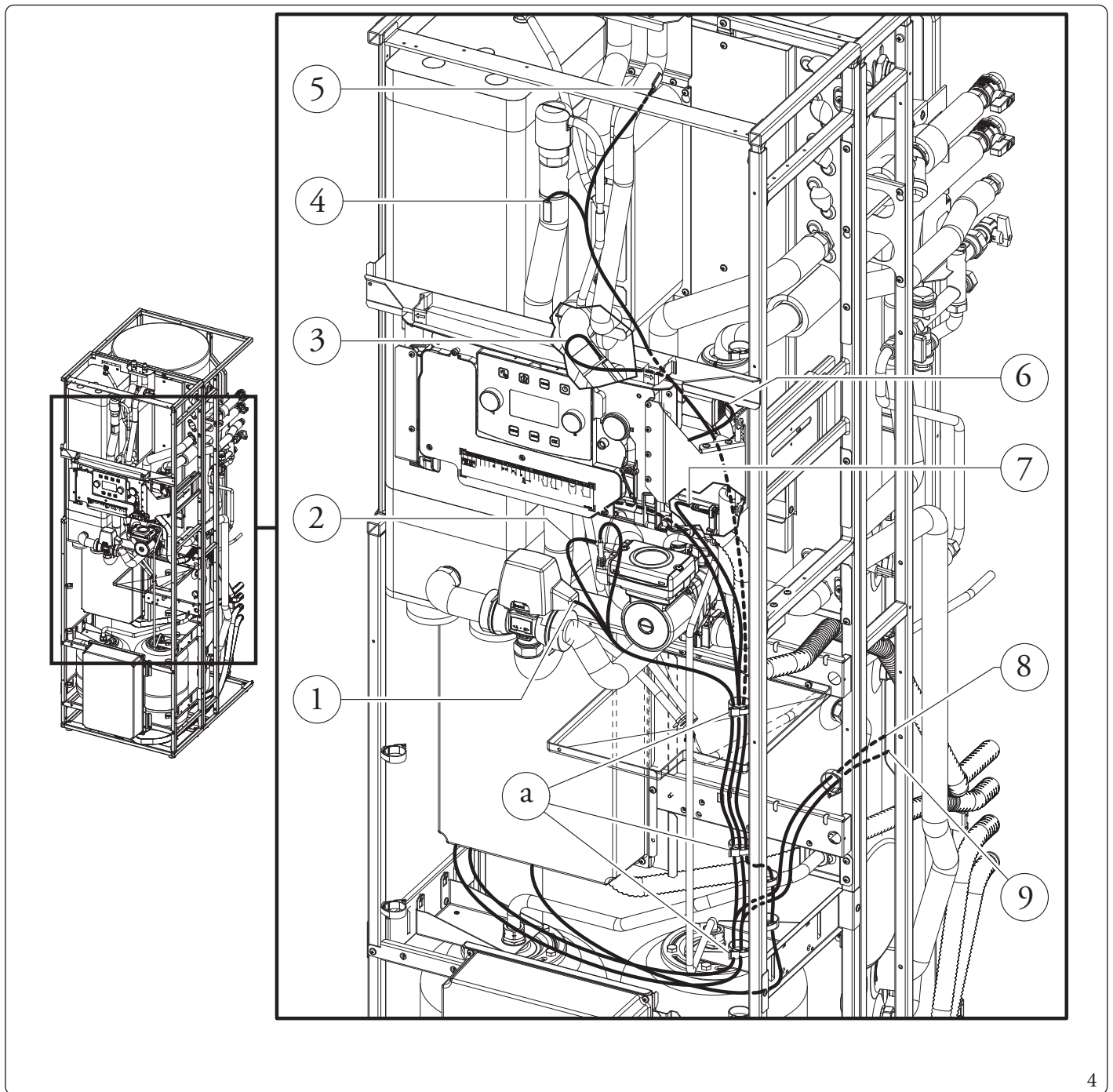
The electrical connections available are:

- Zone 1 flow probe;
- Zone 2 flow probe;
- Dehumidifier Zone 2;
- Zone 2 humidistat;
- Zone 2 thermostat;
- DHW recirculation probe;
- Optional DHW (Domestic hot water) integrative resistances;
- Optional system integrative resistances;
- Recirculation pump;
- Zone 2 pump;
- Zone 2 Mixing Valve.

The connection cables must follow the predetermined path using the special cable glands (a) (Fig. 4).

Key (Fig. 4):

- 1 - Three-way connection (M30)
- 2 - Pump connection (M1)
- 3 - Return probe connection (B5)
- 4 - Flow probe connection (B1)
- 5 - Liquid phase probe (B29)
- 6 - Zone 1 pump connection (M10-1)
- 7 - Flow meter connection (B25)
- 8 - DHW probe connection (B2)
- 9 - DHW (Domestic hot water) resistance connection (E15-A)
- a - Cable gland



Open the control panel connections compartment (Fig. 5).

To carry out electrical connections, all you have to do is open the connections compartment as follows.

1. Remove the cover and the aesthetic profile.
2. Disassemble the cover.
3. Loosen the screws (a).
4. Remove the cover (b) from the control panel (c).

At this point, you can access the terminal board.

Electrical connections to the control panel

The electrical connections available are:

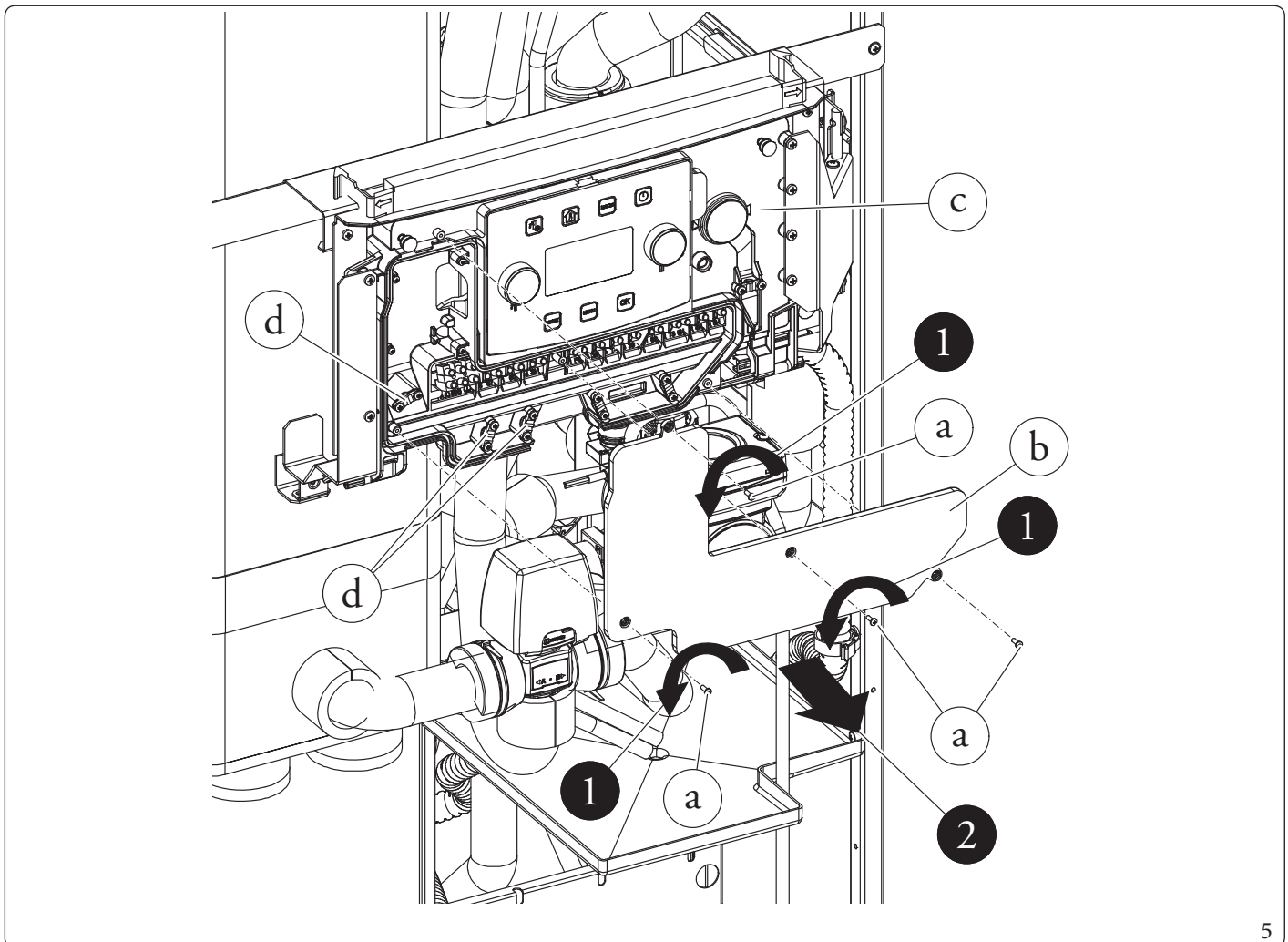
- Photovoltaic system: connecting the product to a photovoltaic system enhances use of the outdoor condensing unit when the photovoltaic panels are operating.
- Dehumidifier zone 1.
- Summer/winter diverter.
- Multifunction relay.
- Zone 1 humidistat and thermostat.
- Zone 1, 2, 3 remote devices (Zone remote panel, Temperature/humidity probe, Dominus).
- External probe
- Heat pump disabling.

Make the various electrical connections according to your needs (Fig. 6).

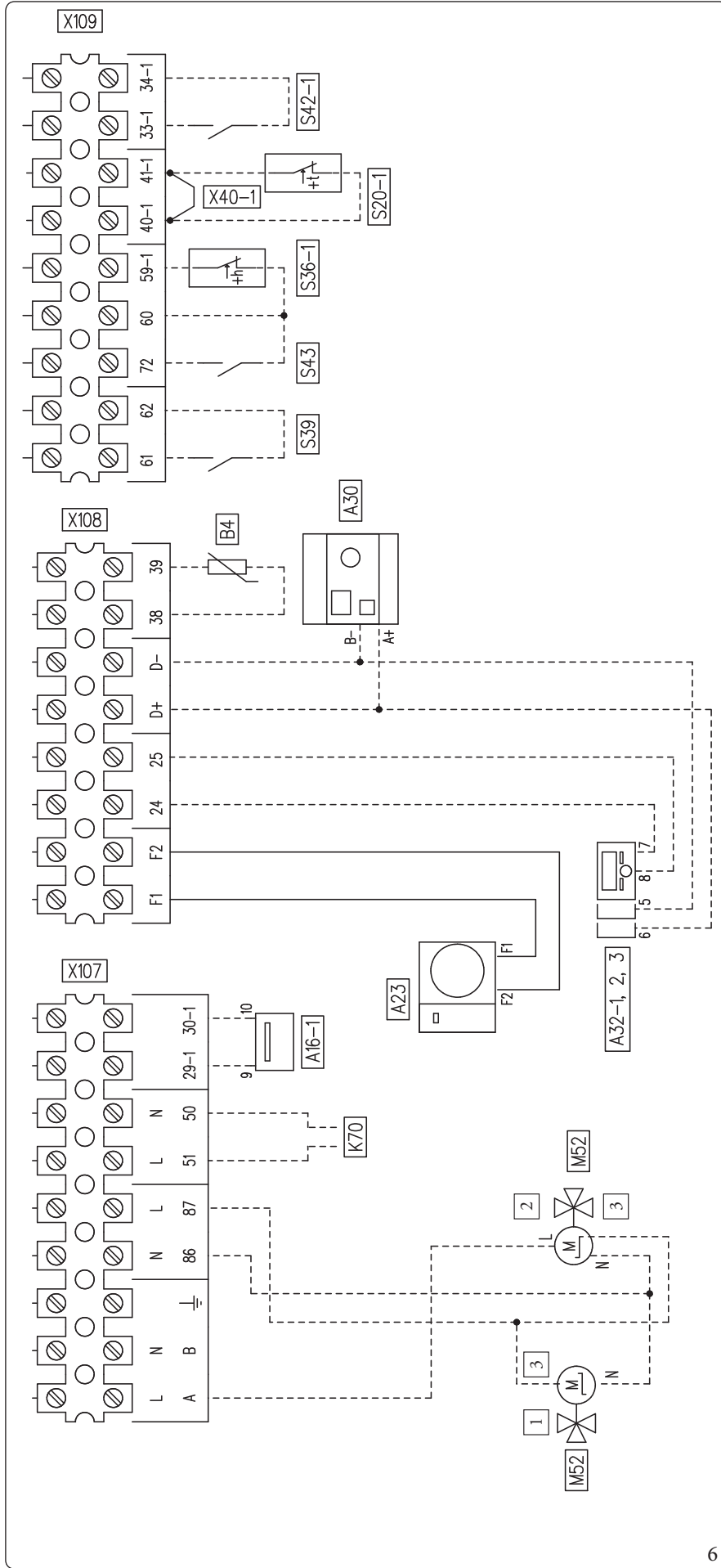
Outdoor condensing unit electrical connection

The indoor unit must be coupled to an outdoor condensing unit by connecting terminals F1 and F2 as shown in the wiring diagram (Fig. 7). The outdoor unit is powered at 230 V, regardless of the indoor unit.

Configure the "HP model" parameter as indicated in paragraph (Par. 3.9) depending on the type of connected outdoor condensing unit.



Control panel connection diagram



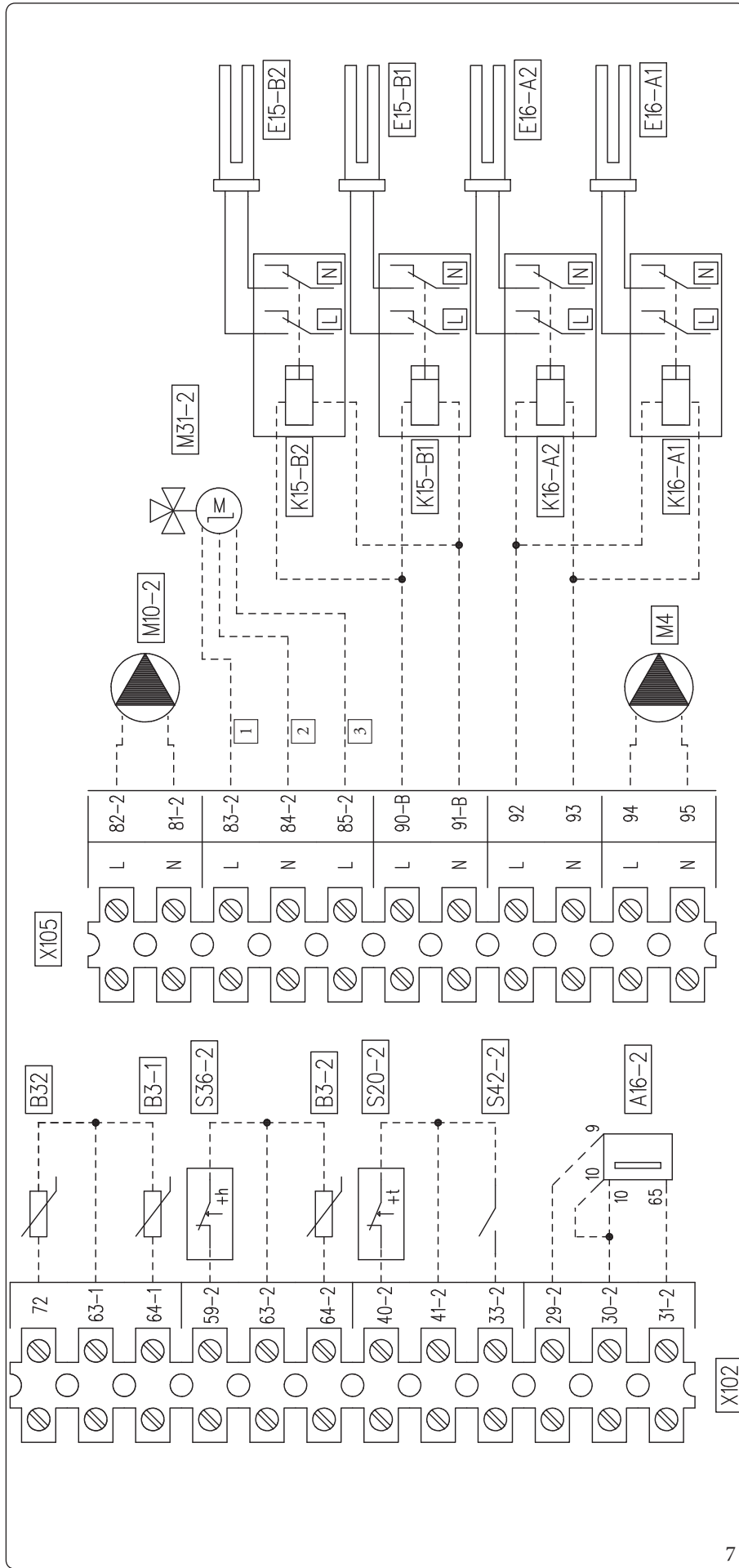
6

Key (Fig 6):

- Zone I dehumidifier (optional)
- Outdoor condensing unit
- Zone I, 2, 3 remote panel (optional)
- Dominus (optional)
- External probe
- Multifunction relay (optional)
- Summer/winter diverter (optional)
- Zone I room thermostat (optional)
- Zone I humidistat (optional)

- S39 - Photovoltaic inlet (optional)
- S42-1 - Zone I dehumidifier alarm (optional)
- S43 - Pdc disabling selector (optional)
- X40-1 - Zone I room thermostat jumper
- 1 - Valve with spring return
- 2 - 2-point valve
- 3 - Open/Closed

Main panel connection board



Key (Fig. 7):

- A16-2 - Zone 2 dehumidifier (optional)
- B3-1 - Zone 1 flowprobe (optional)
- B3-2 - Zone 2 flowprobe (optional)
- B32 - Recirculation Probe
- E15-B1, -B2 - Secondary DHW integration resistance (optional)
- E16-A1, -A2 - System integrative resistance (optional)
- K15-B1, B2 - Secondary DHW integration resistance relay (optional)
- K16-A1, A2 - System integrative resistance relay (optional)
- M4 - DHW recirculation pump (optional)
- M10-2 - Zone 2 circulator pump (optional)
- M31-2 - Zone 2 mixing valve (optional)
- S20-2 - Zone 2 room thermostat (optional)
- S36-2 - Zone 2 humidistat (optional)
- S42-2 - Zone 2 dehumidifier alarm (optional)
- 1 - Closed
- 2 - Common
- 3 - Open

TECHNICAL DATA

MAINTENANCE TECHNICIAN

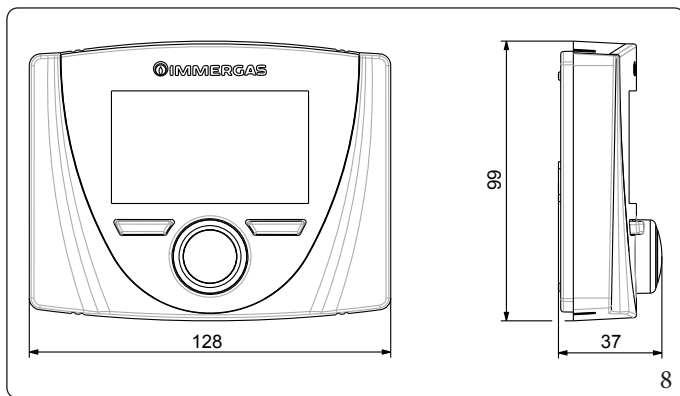
USER

INSTALLER

1.8 REMOTE ZONE CONTROL (OPTIONAL)

This remote device is used to adjust the setpoints and to view the main information of the zone where it was configured. Connect the appliance as shown (Fig. 6). To correctly configure the device, set the parameters as described below:

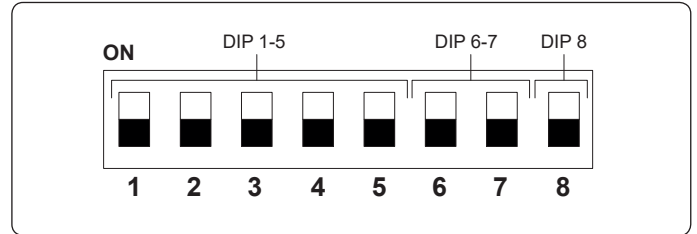
Assistance Menu -> Device configuration	
Slave address: Address to configure according to the zone where the device is installed	Zone 1 = 41
	Zone 2 = 42
	Zone 3 = 43
Baud Rate	9600
Parity bit	Even
Stop bits	1
Heat pump control	NO



1.9 MODBUS TEMPERATURE AND HUMIDITY ROOM PROBES (OPTIONAL)

The Modbus temperature and humidity probe is used to detect the room temperature and humidity and to calculate the dew point. In addition, by setting the relative zone room setpoints available on the Control panel (see Par. 2.6), it is possible to check the temperature and humidity of a room. Connect the appliance as shown (Fig. 6);

DIP-Switch configuration table



DIP 1-5 (Address)	<p>ON</p> <p>1 2 3 4 5</p>	Zone 1 (Address 131)
	<p>ON</p> <p>1 2 3 4 5</p>	Zone 2 (Address 132)
	<p>ON</p> <p>1 2 3 4 5</p>	Zone 3 (Address 133)

DIP 6-7 (Type)	<p>ON</p> <p>6 7</p>	Modbus 1 - 8 - E - 1
-------------------	----------------------	-------------------------

DIP 8 (Speed)	<p>ON</p> <p>8</p>	9600 bit/s
------------------	--------------------	------------

1.10 ROOM CHRONO-THERMOSTATS (OPTIONAL)

The indoor unit is prepared for the application of room chrono-thermostats, which are available as optional kits (Fig. 6). A maximum of 3 temperature controllers can be applied directly to the appliance.

All Immergas chrono-thermostats are connected with 2 wires only.

Carefully read the user and assembly instructions contained in the accessory kit.



Disconnect power to the unit before making any electrical connections.

On/Off Immergas digital chrono-thermostat.

The chrono-thermostat allows:

- set two room temperature value: one for day (comfort temperature) and one for night (reduced temperature);
- set a weekly programme with four daily switch on and switch off times;
- selecting the required function mode from the various possible alternatives:
 - manual mode (with adjustable temperature);
 - automatic mode (with set programme);
 - forced automatic operation (momentarily changing the temperature of the automatic program).

The chrono-thermostat is powered by two 1.5V LR6 type alkaline batteries.

On/Off chrono-thermostat electrical connection (Optional).



The operations described below must be performed after having removed the voltage from the appliance.

On/Off ambient thermostat or chrono-thermostat: must be connected to the 40-1 / 41 terminals, eliminating the X40-1 jumper for zone 1 and 40-2 / 41 for zone 2 and 40-3 / 42 for zone 3.

Make sure that the On/Off thermostat contact is of the “clean” type, i.e. independent of the mains voltage, otherwise the P.C.B. would be damaged.

The connections must be made on the terminal board inside the control panel (Fig. 6) or in the main panel of the appliance (Fig. 7).



If any On/Off chrono-thermostat is used, arrange two separate lines in compliance with current regulations regarding electrical systems.

No indoor unit pipes must ever be used to earth the electric system or telephone lines.

Ensure elimination of this risk before making the indoor unit electrical connections.

INSTALLER

USER

MAINTENANCE TECHNICIAN

TECHNICAL DATA

1.11 HUMIDISTAT ON/OFF (OPTIONAL)

You can make a dehumidification demand by using a humidistat. Connect the appliance as shown (Fig. 6).

1.12 EXTERNAL TEMPERATURE PROBE (OPTIONAL)

The outdoor condensing unit has a standard external probe that can be used as an external probe of the heat pump.

The external probe is used to:

- Thermoregulate the water flow temperature;
- Determine the use of additional generators (electrical resistances).

If the outdoor condensing unit is positioned in an area that is not suitable for temperature reading, it is advisable to use an additional external probe (Fig. 9) which is available as an optional kit.

Refer to the relative instruction sheet for positioning of the external probe.

For the proper operation of the optional probe it must be electrically connected where envisaged (Fig. 6) and then it must be enabled (Par. 3.23).

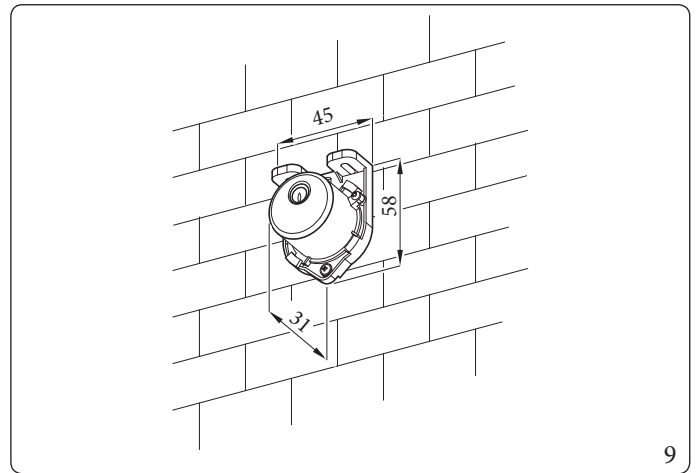
The presence of the external probe allows the system flow temperature to be set automatically based on the outdoor temperature in order to adapt the heating or cooling provided to the system.

The system flow temperature is determined by the setting on the "Zones" menu and by the "User" menu for the offset values based on the curves shown in the diagram (Par. 1.13).



If the system is divided into two or three zones, the flow temperature is calculated based on the zone with the higher temperature in central heating mode and with the lower temperature in cooling mode.

In case of failure, after having powered off and back on, the outdoor temperature is automatically detected by the external probe on the outdoor condensing unit.



1.13 TEMPERATURE CONTROL SETTING

By setting the parameters in the menus

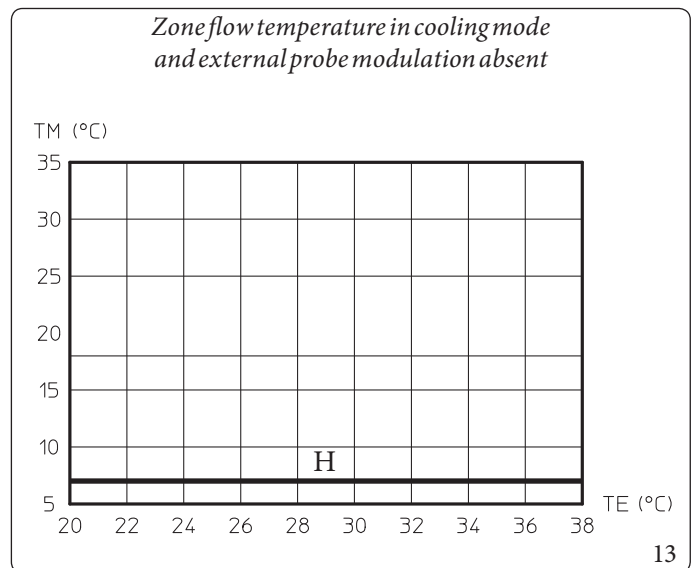
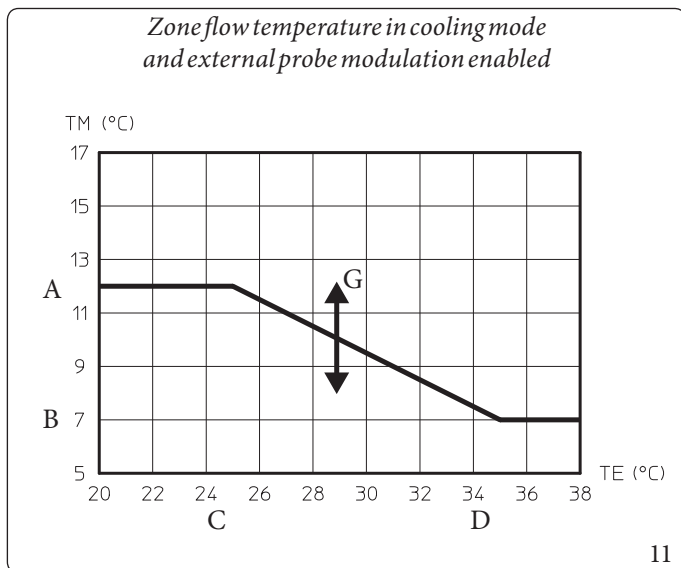
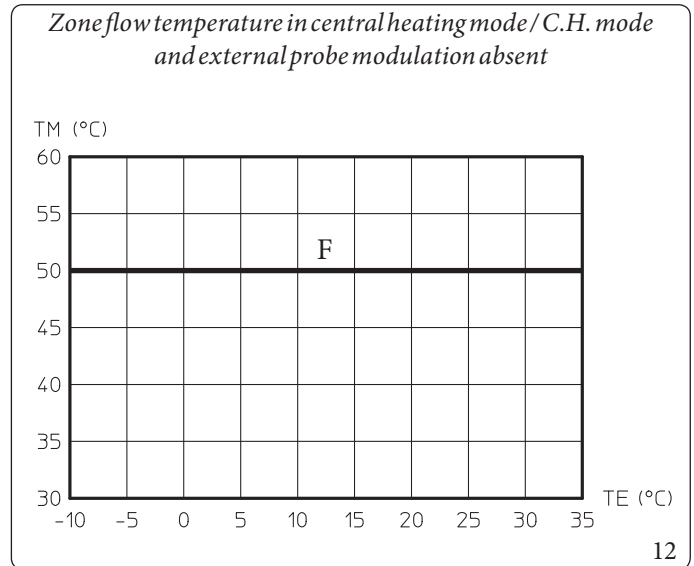
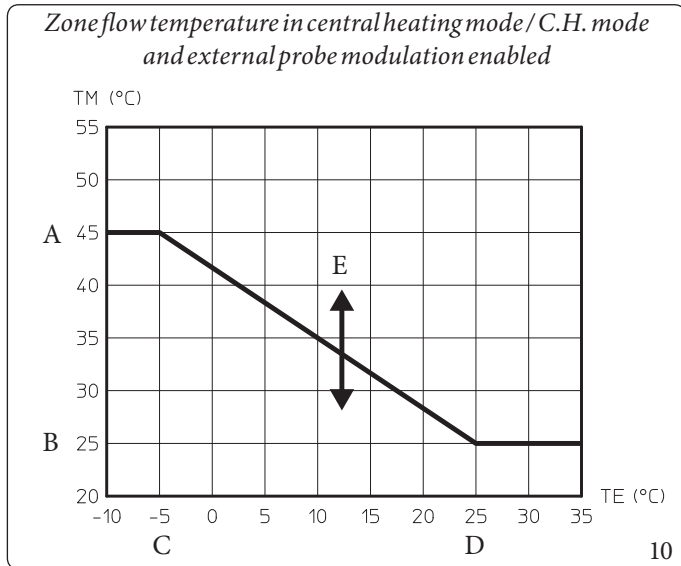
Zones/Definition

it is possible to automatically adjust the flow temperature of each zone according to the outdoor temperature.

This can be done by enabling the external probe modulation in the menu

Zones/Enablings.

The curves (Fig. 10, 11, 12, 13) show the default settings in the various operating modes available both with external probe and without.



Key (Fig. 10, 11, 12, 13)

- A - Maximum flow set
- B - Minimum flow set
- C - External minimum temperature
- D - External maximum temperature
- E - Central heating flow temp offset
- F - Central heating / C.H. flow set
- G - Cooling flow temperature offset
- H - Cooling flow set

1.14 SYSTEM FILLING

Once the indoor unit is connected, fill the system using the filling cock (Fig. 25).

The indoor unit has one incorporated automatic vent valve located on the circulator and another on the 3-way plate heat exchanger pipe (Fig. 25).

There is also a manual vent valve (Fig. 25) positioned on the top of the central heating / C.H. manifold, which it is recommended to open during the filling phase to completely eliminate the air from the system.



Make sure that the hoods are loosened.

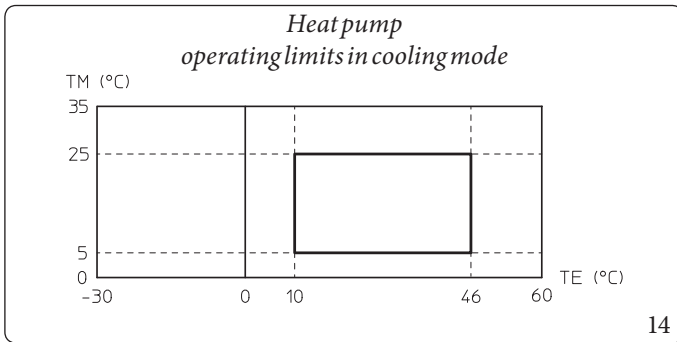
The filling cock must be closed when the indoor unit pressure gauge indicates approximately 1.2 bar.



During these operations, enable the manual “De-aeration” functions, which lasts about 18 hours (Parag. 3.9).

1.15 OPERATING LIMITS

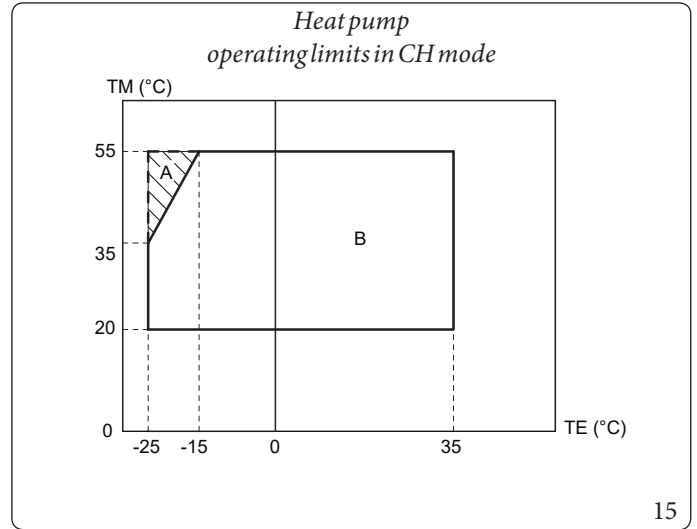
The appliance was designed to work in a specific range of outdoor temperatures and at a specific maximum flow temperature. (Fig. 14, 15, 16) shows these limits.



Key (Fig. 14):

TE = Outside temperature

TM = Flow temperature



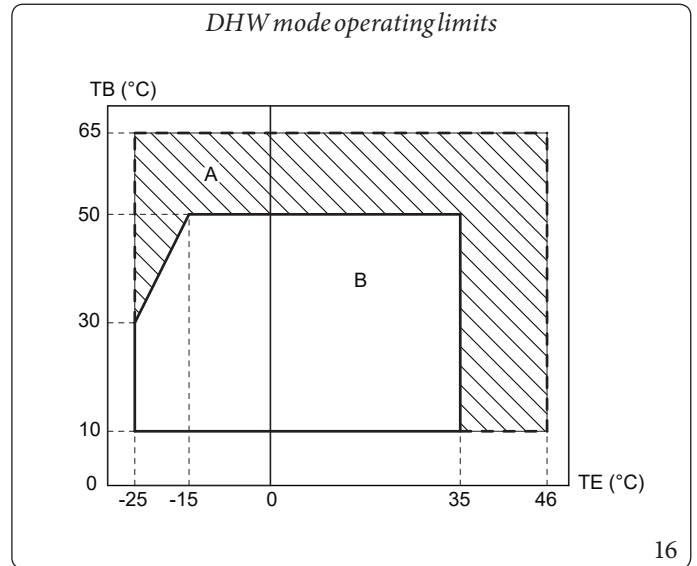
Key (Fig. 15):

TE = Temperatura esterna

TM = Flow temperature

A = Con resistenza elettrica impianto (optional)

B = Without electrical resistances enabled



Key (Fig. 16):

TE = Outside temperature

TB = Storage tank temperature

A = With integration electrical resistance

B = Without electrical resistance enabled

1.16 INDOOR UNIT START-UP (IGNITION)

After having installed the chiller lines on the outdoor unit, to commission the heat pump (the operations listed below must only be performed by qualified personnel and in the presence of staff only):

1. check connection to a 230V-50Hz power mains, correct L-N polarity and the earthing connection;
2. Switch the indoor unit on and check correct ignition;
3. Check the intervention of the main switch located upstream from the indoor unit and in the indoor unit.
4. Set the first ignition parameters (Par. 3.9).



The system must not be started up if even only one of the checks should be negative.



After installation, check for leaks. Toxic gas could be generated if the unit comes into contact with a source of ignition, such as thermal fan, stove and cylinders. Make sure that only refrigerant recovery cylinders are used.



Apply the product data nameplate contained inside the warranty envelope, in an accessible and visible position. Use the serial number on this plate for THERMAL/GSE practices.

1.17 CIRCULATION PUMP

The appliance is supplied with two circulators: the heat pump circulator, which deals with the heat exchange with outdoor condensing unit, and the zone pump 1, which deals with the power supply to the system.

• Heat pump circulator

The appliance is supplied with a variable speed pump that adjusts the speed to ensure the best possible performance.

Pump LED.

The LED flashes green when the pump is powered and the control signal is connected.



The LED lights up steady green when the pump is powered and the signal cable disconnected. In these conditions the pump works at maximum speed and without control.

If the pump detects an alarm, the LED switches from green to red; this can mean one of the following failures:

- Low power supply voltage;
- Rotor seized;
- Electrical error.

For a detailed description of the meaning of the red LED, refer to (Parag. 3.9).



The LED, in addition to being green or red, can also remain off.

It is normal for the LED to be off when the pump is not powered, whereas with the pump powered, the LED must be lit: if switched off, it means there is a fault.

Pump release.

If after a long period of inactivity, the circulator is blocked, adjust the screw in the centre of the head in order to manually release the motor shaft.

Take great care during this operation to avoid damage to the motor. Configure the "HP model" parameter as indicated in Par. 3.9 depending on the type of connected outdoor condensing unit.

• Zone 1 circulator pump

The pump is ideal for the requirements of each central heating system in a domestic and residential environment.

In fact, the pump is equipped with electronic control that allows to set advanced functions.

Adjustment

Press the button on the front to adjust the pump.

By rotation, it is possible to select the following pump control mode:

- Fixed speed I, II, III.
- Proportional head I, II, III.
- Constant head I, II, III.

Fixed speed

Adjusts the pump speed in fixed mode.

It is possible to set 3 different speeds:

- I: Minimum Speed.
- II: Intermediate speed.
- III: Maximum speed.



Factory set speed = Fixed speed III

Proportional head ($\Delta P-V$)

This allows the pressure level (head) to be proportionally reduced as the system heat demand decreases (flow rate reduction).

Thanks to this function, the electric power consumption of the circulator pump is reduced further: the energy (power) used by the pump decreases according to the pressure level and flow rate.

With this setting, the pump guarantees optimal performance in most heating systems, thereby being particularly suitable in single-pipe and two-pipe installations.

Any noise originating from the water flow in the pipes, valves and radiators is eliminated by reducing the head.

Optimal conditions for thermal comfort and acoustic well-being.

Constant head ($\Delta P-C$)

The circulator pump maintains the pressure level (head) constant as the system heat demand decreases (flow rate reduction).

With these settings, the circulator pump is suitable for all floor systems where all the circuits must be balanced for the same drop in head.

Other functions:

- The **vent function** of the pump is activated by pressing and holding (3 seconds) the control key and automatically venting the pump.

This function does not act on the central heating / C.H. system.

The pump venting function starts and lasts 10 minutes.

The two sets of upper and lower LEDs flash alternately every 1 second.

To interrupt, press the control key for 3 seconds.

- The **manual restart** is activated by pressing and holding (5 seconds) the control key and releases the pump when needed (e.g. after prolonged inactivity periods during the summer period).

- The **keyboard block** is activated by pressing and holding (8 seconds) the control key and block the pump settings. The keyboard block protects against unintentional or unauthorised pump changes.

Activate the keyboard block by pressing the control key for 8 seconds, until the selected setting LEDs flash briefly and then release.

The LEDs flash continuously 1 second apart.

If the keyboard block is active, the pump settings can no longer be modified.

The deactivation of the keyboard block takes place in a similar manner to the activation.

Troubleshooting.

Faults	Causes	Solutions
Pump not working with power supply on.	Faulty electrical fuse	Check the fuses
	The pump is without voltage	Eliminate the power supply cut-off
The pump generates noise	Cavitation due to insufficient flow pressure	Increase the system pressure within the allowed field
		Check the head setting and eventually set a lower head
The building does not heat up.	Heat output of the radiant panels too low	Increase the delivery value
		Set the adjustment mode to ΔP -c instead of ΔP -v

Diagnostics in real time

- The anomaly LED indicates a fault.
- The pump stops (depending on the fault), and performs cyclical attempts to restart.

LED	Faults	Causes	Solutions
It lights up red	Block	Rotor seized	Activate the manual restart or contact the Authorised Technical Service Centre
	Contact/winding	Faulty winding	
It flashes with red light	Under/Overvoltage	Feed side power supply voltage too low/high	Check the mains voltage and operating conditions, ask the Authorised Technical Assistance Centre
	Excessive module temperature	Inside of the too hot module	
	Short-circuit	Motor current too high	
It flashes with red/green light	Turbine operation	The hydraulic system of the pumps is fed but the pump has no mains voltage	Check the mains voltage, the water pressure/ flow rate as well as the environmental conditions
	Dry operation	Air in the pump	
	Overload	The motor runs with difficulty. The pump complies with the specifications (e.g. high module temperature). The number of revolutions is lower than normal operation	

Manual restart

When a blockage is detected, the pump tries to automatically restart.

If the pump does not automatically restart:

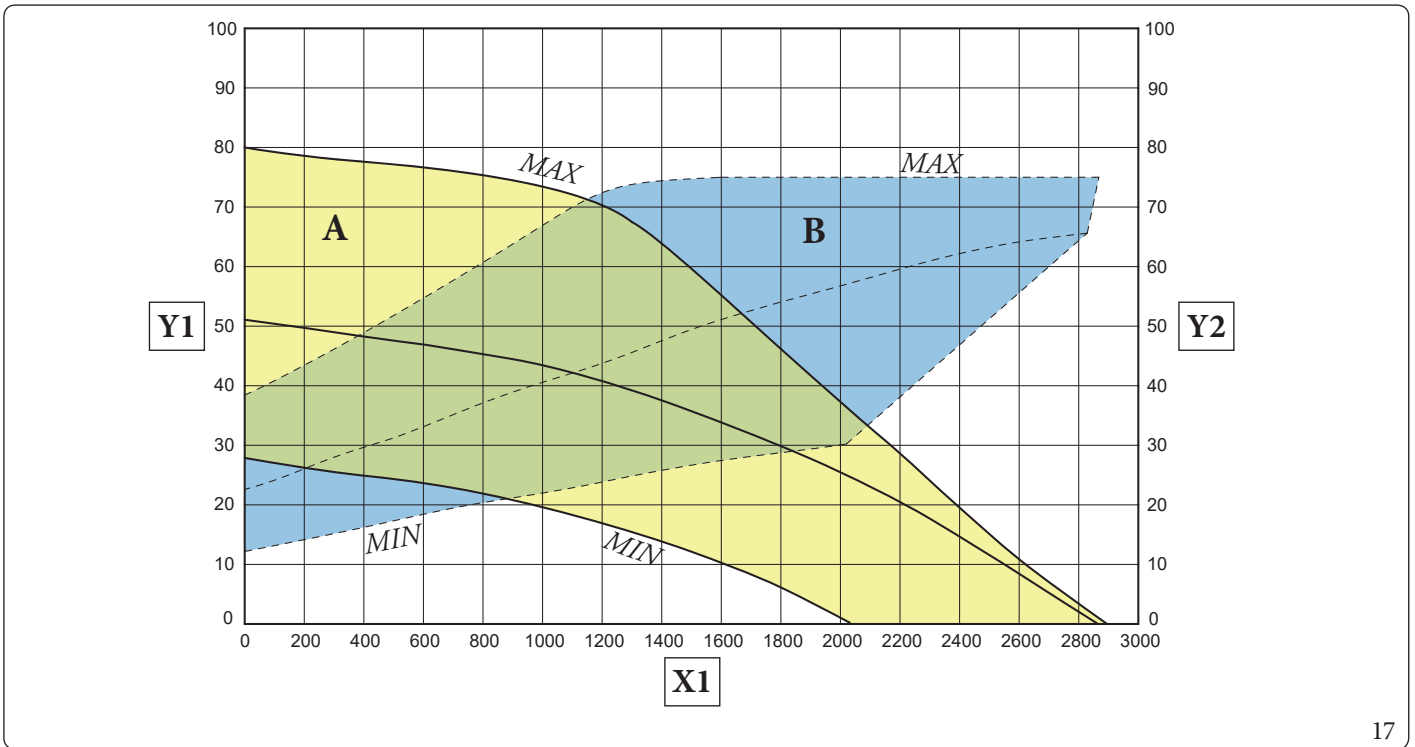
- Activate the manual restart by pressing the control key for 5 seconds, then release.
- The restart function starts and last max. 10 minutes.
- The LEDs flash one after the other clockwise.
- To interrupt, press the control key for 5 seconds.

Zone 2/3 circulator pumps (optional)

The zone 2 and zone 3 pumps have the same functional characteristics as zone pump 1.

For the setting and management of anomalies, refer to zone pump 1.

Head available to the direct zone 1 system fixed speed



17

Key (Fig. 17):

X1 = Flowrate (l/h)

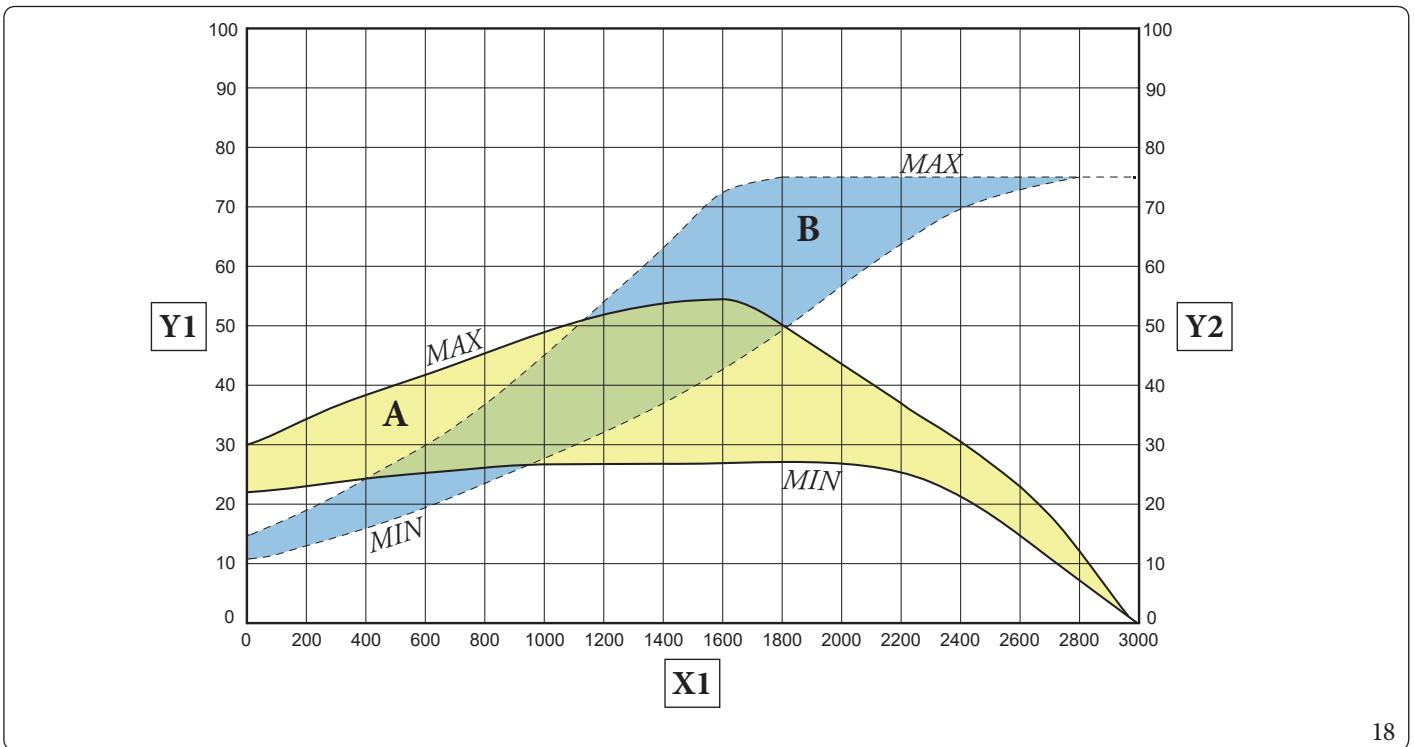
Y1 = Head (kPa)

Y2 = Circulator pump absorbed power (W)

A = Head available to the system

B = Absorbed power by the circulator (dotted area)

Head available to the proportional speed direct zone 1 system



18

Key (Fig. 18):

X1 = Flowrate (l/h)

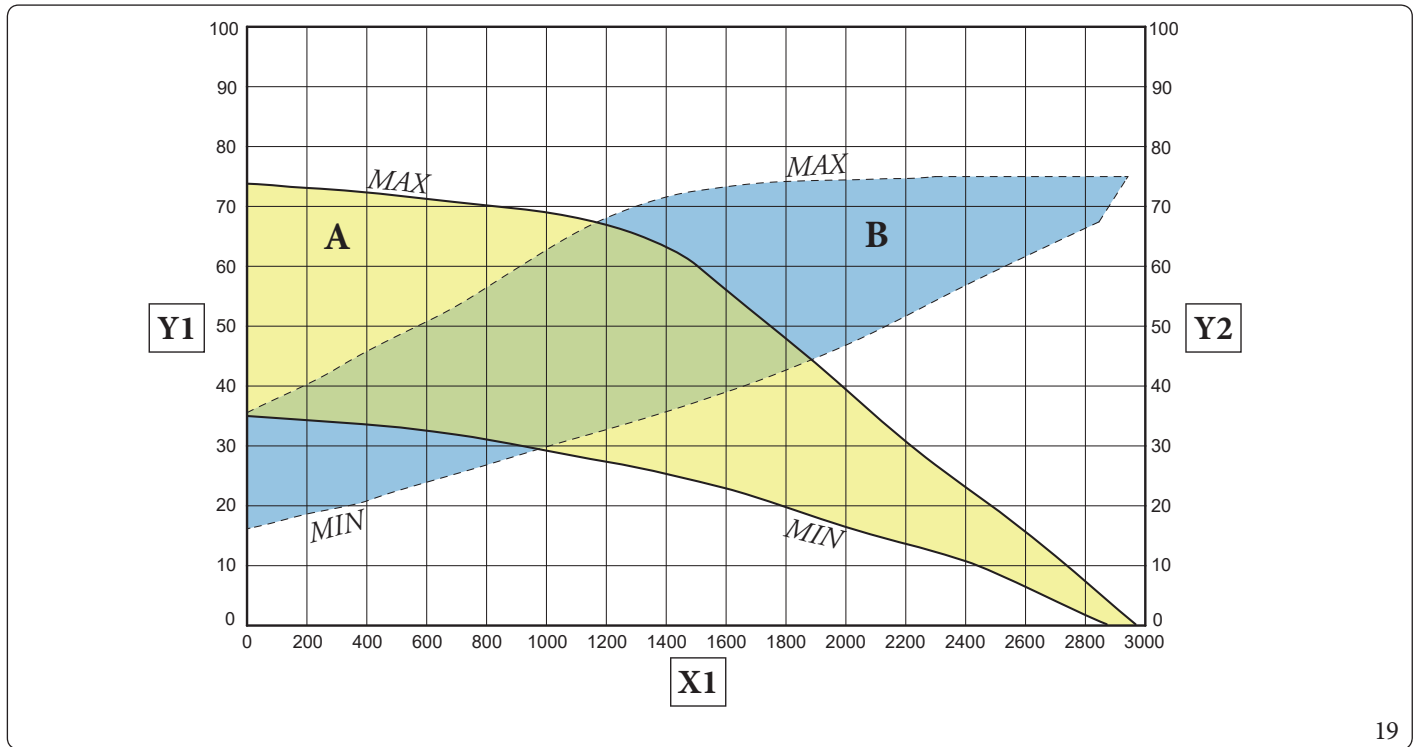
Y1 = Head (kPa)

Y2 = Circulator pump absorbed power (W)

A = Head available to the system

B = Absorbed power by the circulator (dotted area)

Head available to the direct zone 1 system constant speed



Key (Fig. 19):

X1 = Flowrate (l/h)

Y1 = Head (kPa)

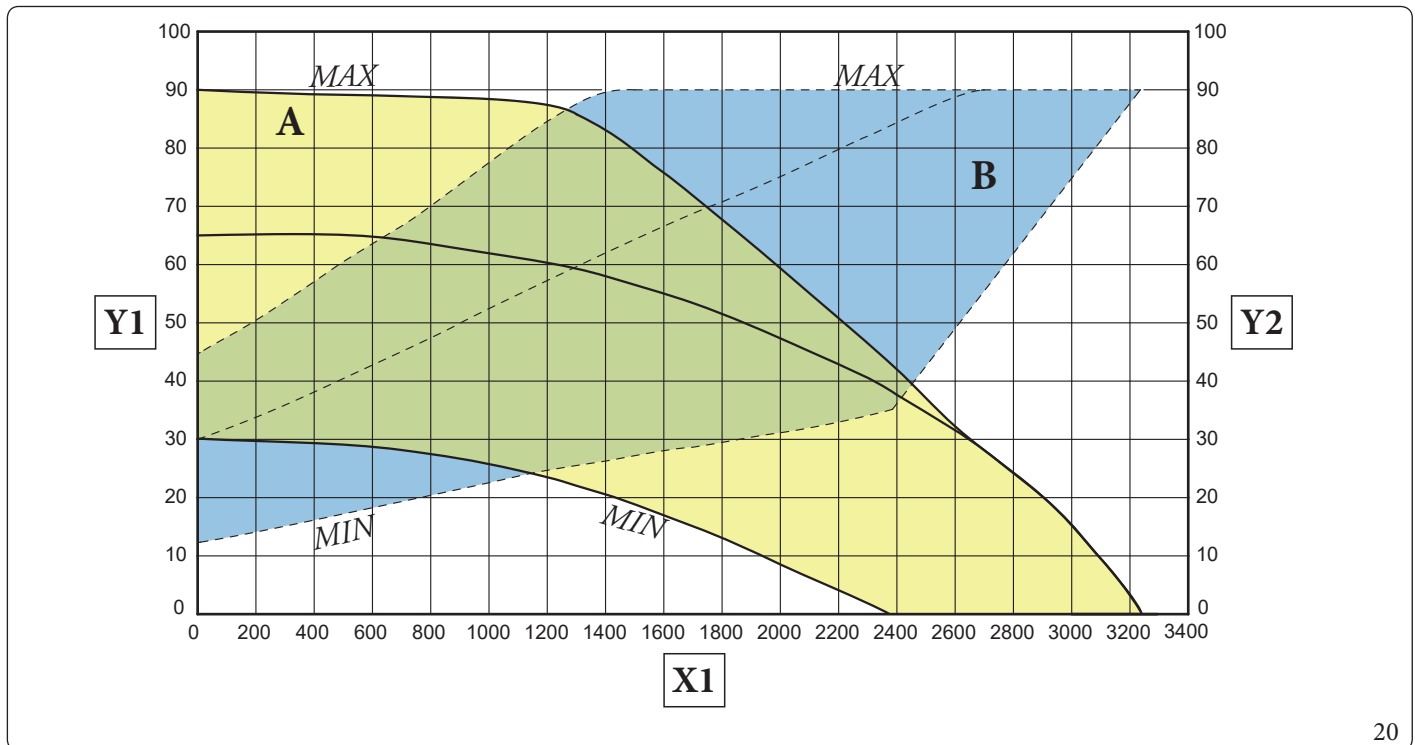
Y2 = Circulator pump absorbed power (W)

A = Head available to the system

B = Absorbed power by the circulator (dotted area)

19

Head available to the fixed speed mixed zone 2/3 system



Key (Fig. 20):

X1 = Flowrate (l/h)

Y1 = Head (kPa)

Y2 = Circulator pump absorbed power (W)

A = Head available to the system

B = Absorbed power by the circulator (dotted area)

20

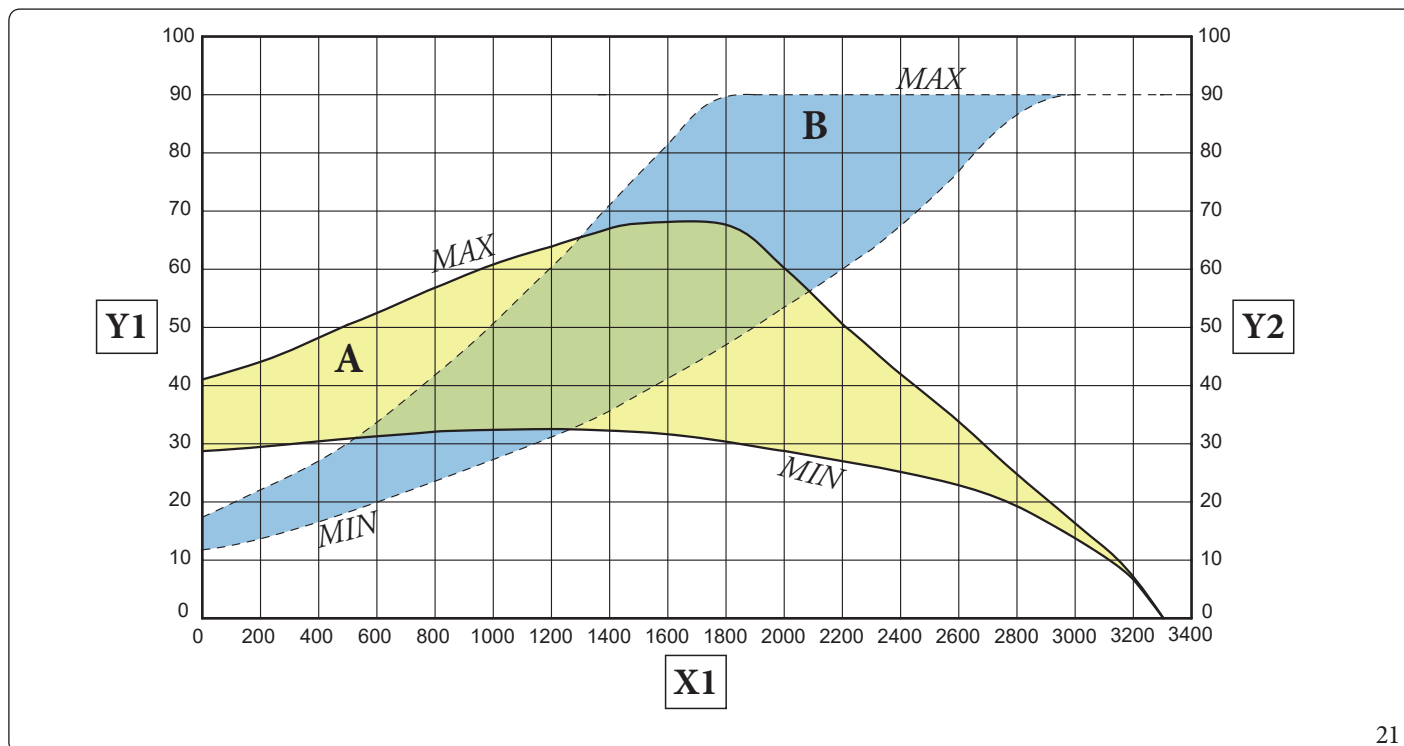
INSTALLER

USER

MAINTENANCE TECHNICIAN

TECHNICAL DATA

Head available to the proportional speed mixed zone 2/3 system



21

Key (Fig. 21):

X1 = Flow rate (l/h)

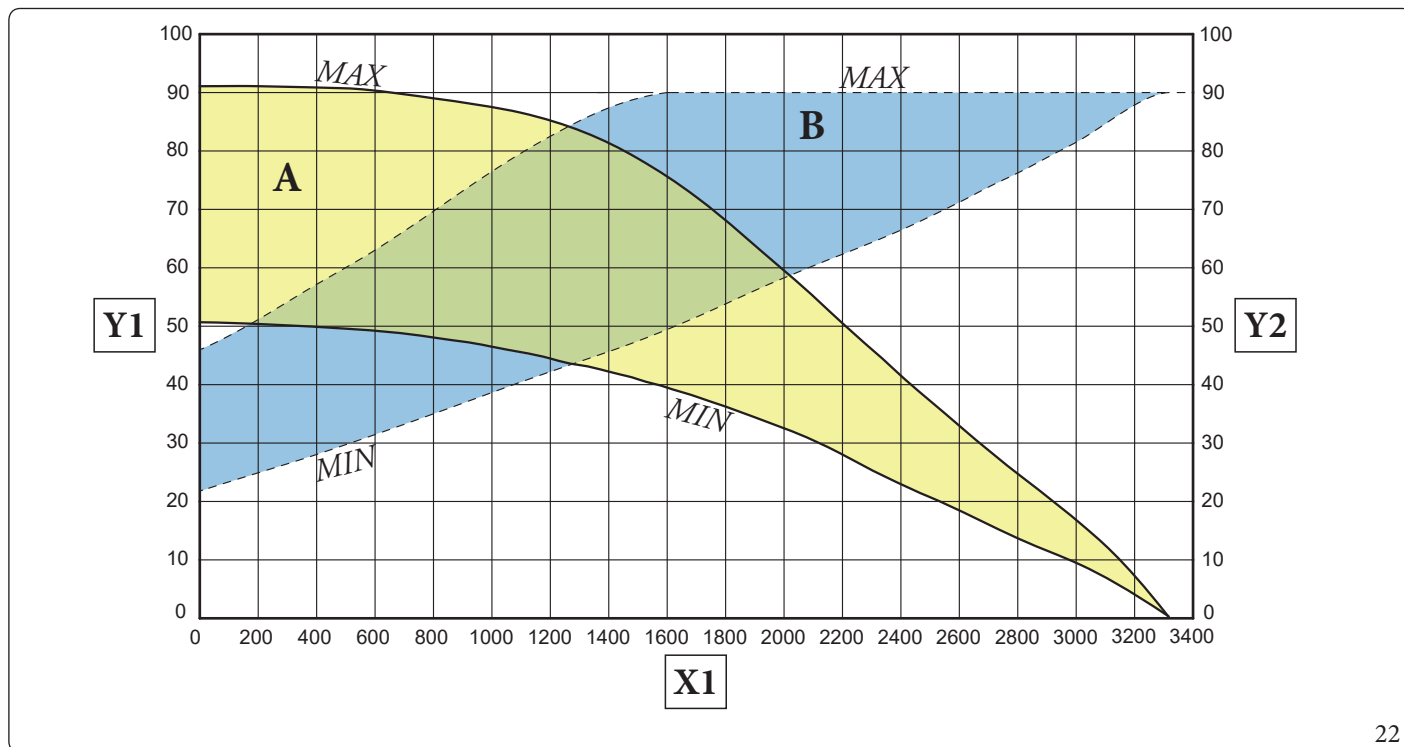
Y1 = Head (kPa)

Y2 = Circulator pump absorbed power (W)

A = Head available to the system

B = Absorbed power by the circulator (dotted area)

Head available to the constant speed mixed zone 2/3 system



22

Key (Fig. 22):

X1 = Flow rate (l/h)

Y1 = Head (kPa)

Y2 = Circulator pump absorbed power (W)

A = Head available to the system

B = Absorbed power by the circulator (dotted area)

1.18 DOMESTIC HOT WATER STORAGE TANK UNIT

The storage tank in the appliance is the accumulation type with a capacity of 235 litres.

It contains large coiled stainless steel heat exchanger pipes, which allow to notably reduce hot water production times.

These storage tank units constructed with stainless steel casing and bottoms, guarantee long duration through time.

The assembly concepts and welding (T.I.G.) are implemented to the minimum detail to ensure maximum reliability.

The side inspection flange ensures practical control of the storage tank unit and the coiled heat exchanger and easy internal cleaning.

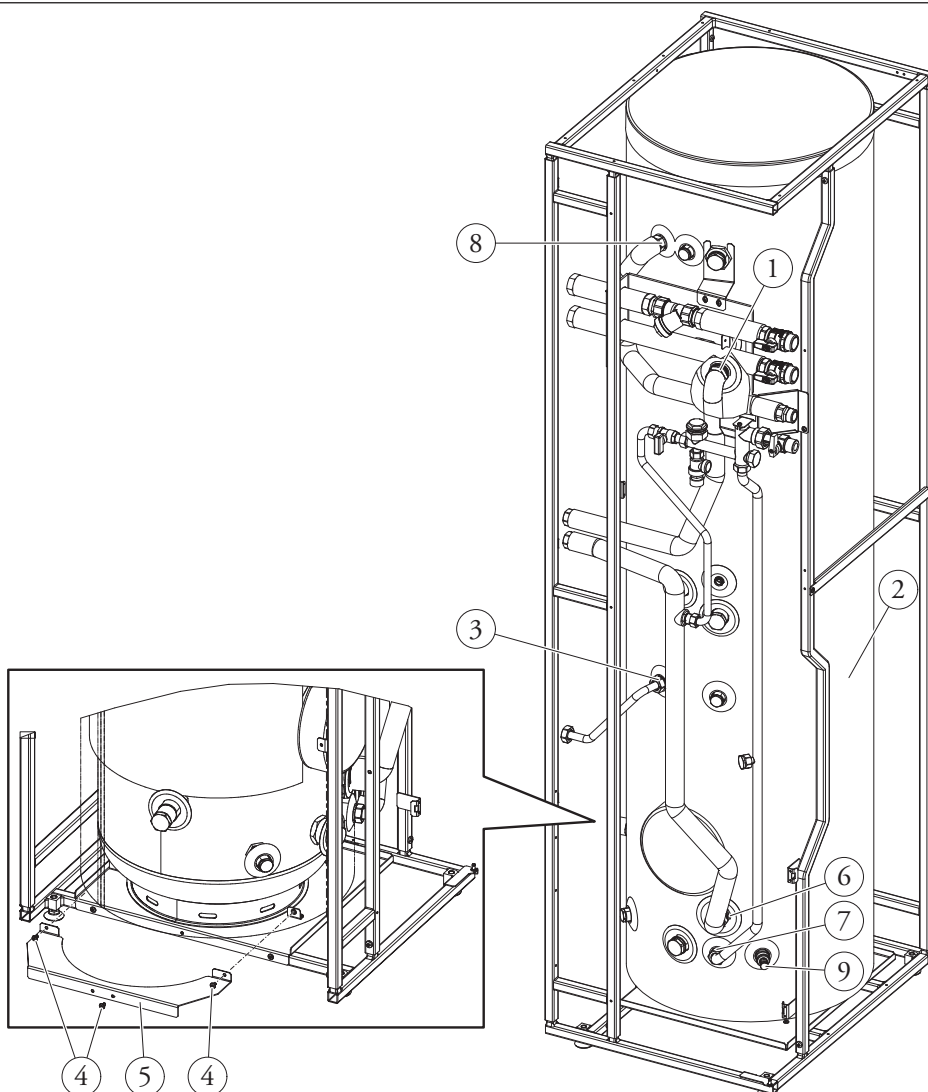
The Magnesium Anode holder caps include the same, are supplied as standard for the internal protection of the storage tank from possible corrosion. These caps are positioned on the side of the storage tank (Fig. 25).

Storage tank disassembly (Fig. 23).

For easy maintenance or particular handling requirements, remove the storage tank as described below.

- To disassemble the storage tank unit, empty the appliance system by acting on the relevant drain fitting. Before carrying out this operation, make sure that the system filling valves are closed.
- Drain the storage tank by means of the draining valve (9).
- Close the cold water inlet valve and open any domestic hot water cock.
- Proceed to divide the appliance as described in the relative paragraphs 3.28 e 3.29.
- Loosen the nuts on the system flow and return pipes (1 and 6) and the cold inlet and hot outlet nuts (7) (8) present on the storage tank unit (2).
- Loosen the nut (3) on the connection pipe to the DHW expansion vessel.
- Loosen the bracket (5) fixing screws (4) and remove the bracket itself.
- Slide the storage tank (2) to the front.

Work in reverse order to assemble the storage tank unit.



Condensate drainage present in the tray (Fig. 24).

Under some operating conditions, condensate may form in the tray.

Make a drain hole on the ground towards the sewer system with an internal Ø of at least 13 mm.

To dispose of this condensate, insert the drain bend in the hole present on the bottom of the tray itself.

Connect the drainage elbow (1) to a hose that conveys the water to the desired point.

Make sure dust, debris and/or insects cannot enter this hose.

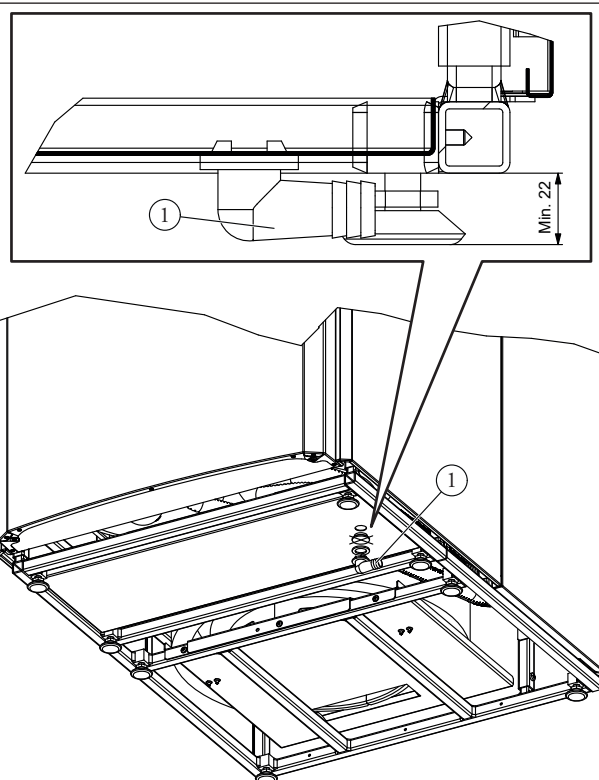
Also make sure that the liquid contained in it cannot freeze.

1.19 KITS AVAILABLE ON REQUEST

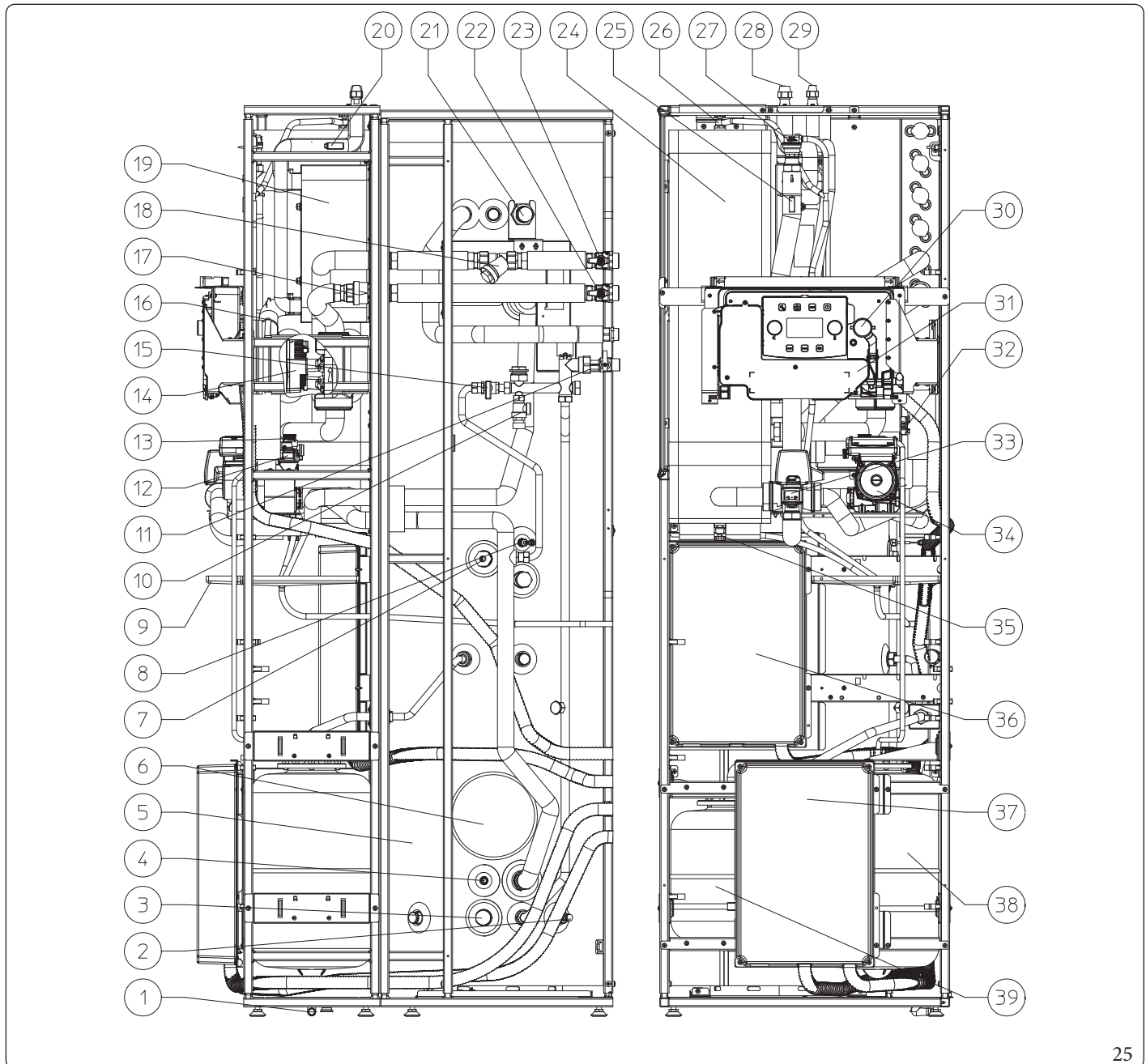
- Recirculation kit. The appliance is designed for application of the recirculation kit. Immergas supplies a series of fittings and attachments that allow connection between the appliance and domestic hot water system.
- Polyphosphate dispenser kit. The polyphosphate dispenser reduces the formation of lime-scale and preserves the original heat exchange and domestic hot water production conditions. The appliance is prepared for application of the polyphosphate dispenser kit.
- Second mixed zone kit. In the event one wishes to add a second mixed zone, providing it with a separate adjustment and maintaining a high water flow-rate, there is a kit available which includes the pump and mixing valve.
- Third mixed zone kit. In the event one wishes to add a third mixed zone, providing it with a separate adjustment and maintaining a high water flow-rate, there is a kit available which includes the circulator, mixing valve and the expansion.
- Solar coupling kit. The kit is available for connecting the appliance to the solar heating system as an additional energy source. This is supplied complete with expansion vessel, circulation unit, connection pipes and solar control unit.



The above-mentioned kits are supplied complete with instructions for assembly and use.



1.20 MAIN COMPONENTS



Key (Fig. 25):

- | | | |
|-------------------------------------|---|---|
| 1 - Elbow fitting | 15 - System filling valve | 27 - Air vent valve |
| 2 - Storage tank draining valve | 16 - Heat pump return probe | 28 - Chiller line connection gaseous status |
| 3 - Sacrificial anode | 17 - One-way valve | 29 - Chiller line connection liquid status |
| 4 - Solar panels probe (optional) | 18 - Filter that can be inspected | 30 - System manometer |
| 5 - Stainless steel storage tank | 19 - Plate heat exchanger | 31 - Electrical connection compartment |
| 6 - Storage tank flange | 20 - Liquid phase detection probe | 32 - System flow-meter |
| 7 - DHW electrical resistance | 21 - Sacrificial anode | 33 - 3-way valve (motorised) |
| 8 - D.H.W. probe | 22 - System flow shut-off cock | 34 - Heat pump circulator |
| 9 - Condensate collection tray | 23 - System return shut-off cock | 35 - System draining valve |
| 10 - 8 bar safety valve | 24 - Hydraulic manifold | 36 - Main panel |
| 11 - Cold water inlet cock | 25 - Heat pump flow probe | 37 - Optional kit panel |
| 12 - Air vent valve | 26 - Hydraulic manifold manual air vent valve | 38 - System expansion vessel |
| 13 - 3 bar safety valve | | 39 - Domestic hot water expansion vessel |
| 14 - Direct zone 1 pump/ circulator | | |

25

INSTALLER

USER

MAINTENANCE TECHNICIAN

TECHNICAL DATA

2 INSTRUCTIONS FOR USE AND MAINTENANCE

2.1 GENERAL RECOMMENDATIONS



Never expose the indoor unit to direct vapours from a hob.



The device can be used by children at least 8 years old as well as by persons with reduced physical, sensory or mental capabilities, or lack of experience or required knowledge, provided that they are under surveillance, or after they have been instructed relating to the safe use and have understood the potential dangers.

Children must not play with the appliance.

Cleaning and maintenance destined to be performed by the user can not be carried out by unsupervised children.



If temporary shutdown of the indoor unit is required, proceed as follows:

- a) drain the heating system if antifreeze is not used;
- b) shut off the electrical and water supply.



Never clean the appliance or connected parts with easily flammable substances.



Never leave containers or flammable substances in the same environment as the appliance.



Do not open or tamper with the appliance.



Only use the user interface devices listed in this section of the booklet.



Do not climb on the appliance, do not use the appliance as a support base.



The use of components involving use of electrical power requires some fundamental rules to be observed such as:

- do not touch the appliance with wet or moist parts of the body; do not touch when barefoot;
- never pull electrical cables or leave the appliance exposed to atmospheric agents (rain, sunlight, etc.);
- the appliance power cable must not be replaced by the user;
- in the event of damage to the cable, switch off the appliance and contact exclusively qualified staff for replacement;
- if the appliance is not to be used for a certain period, disconnect the main indoor unit external switch.



Water at a temperature of more than 50 °C can cause serious burns. Always check the water temperature before any use.



The temperatures indicated by the display have a tolerance of +/- 3°C due to environmental conditions that cannot be blamed on the indoor unit.



At the end of its service life, the appliance must not be disposed of like normal household waste nor abandoned in the environment, but must be removed by a professionally authorised company as required by current legislation. Contact the manufacturer for disposal instructions.

INSTALLER

USER

MAINTENANCE/TECHNICIAN

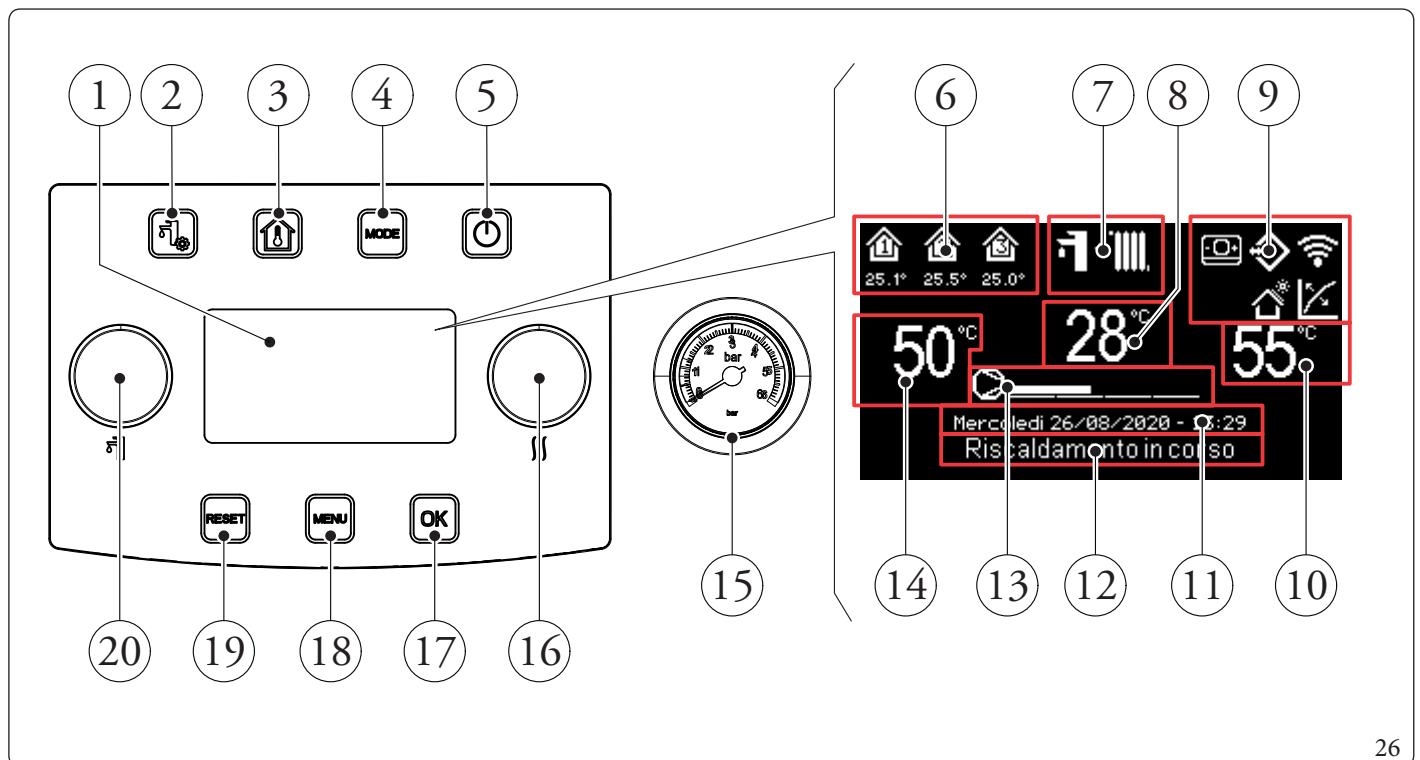
TECHNICAL DATA

2.2 CLEANING AND MAINTENANCE



To preserve the system's integrity and keep the safety features, performance and reliability, which distinguish the assembly, unchanged over time, you must execute maintenance operations on a yearly basis in compliance with what is stated in the relative point at "annual check and maintenance of the appliance", in compliance with national, regional, or local standards in force.

2.3 CONTROL PANEL



Key (Fig. 26):

- | | | | |
|----|---|----|---|
| 1 | - Display. | 11 | - Current date and time display. |
| 2 | - "DHW (Domestic hot water)" menu button. | 12 | - System state button. |
| 3 | - "Zones" button. | 13 | - Heat pump power scale button. |
| 4 | - Functioning mode button. | 14 | - DHW (Domestic hot water) set display. |
| 5 | - ON/OFF Button. | 15 | - Pressure gauge. |
| 6 | - Zones area (number and information of zone in use). | 16 | - "Heating/cooling set" knob. |
| 7 | - Operating mode. | 17 | - Selection confirmation/ok button. |
| 8 | - Anomaly code/flow temperature display. | 18 | - "Menu" Button. |
| 9 | - System general icon display. | 19 | - Anomalies/esc. reset button. |
| 10 | - Central heating / C.H. set display. | 20 | - "Set DHW (Domestic hot water)" Knob. |

2.4 SYSTEM USE



Before ignition make sure the central heating system is filled with water and that the pressure gauge (Fig. 26) indicate a value between 1 - 1.2 bar and make sure that the chiller circuit has been filled as described in the instruction manual of the outdoor condensing unit.

The following are displayed upon ignition:

- Type of panel;
- Panel firmware version;
- Board firmware version.

Once the device has been powered, it goes into the status prior to switch-off. Press the “MODE” button to cyclically select the desired operating mode amongst those available.

The operating mode in use is displayed by the relative icon at the top of the display (Fig. 27) and it is unique for all zones. By pressing any button, the pushbutton panel lights up for a few seconds; in this way it is activated and ready to receive the subsequent commands. Depending on the system's configuration, the main screen displays various information regarding the system itself, amongst which:

Symbol	Description and operation
	Zone identification icon. This icon reverses its colour during the central heating / C.H./cooling demand. The values below the zone icon, respectively indicate the temperature and the humidity detected in such zone
	Dominus enabled
	Zone remote panel presence icon
	Thermoregulation enabled on at least one zone
	Active holiday program
	Connection to temperature and humidity room probes
	Active photovoltaic function
	Outdoor condensing unit compressor request

Below is a description of how to use the control panel, including:

- Enter the menus;
- Moving in the menus;
- Set a menu item;
- Confirming a change;
- Exit without saving.

• Enter the menus

The control panel menus can be accessed by pressing the buttons (Fig. 26):

• Moving in the menus

Simply rotate the “Set DHW (Domestic hot water)” knob to scroll the menu items.

The indication “[...]” next to the menu item indicates the availability of a submenu.

Press the “OK” button to access this submenu.

Pressing the “RESET” button goes back to the previous menu page.

• Set menu item

Go to the menu item to be set following the instructions given previously.

Once the menu item to be set is reached, press “OK” or rotate the “Set cooling/central heating / C.H.” knob to highlight the value to be changed.

Change the value by turning the “Set cooling/central heating / C.H.” knob.

• Confirming a change

At the end of the modification, press “OK” to confirm the change and go back to the previously selected menu item.

• Exit without saving

If at the end of the modification you press “RESET”, you will return to the previously selected menu item without confirming the modification.

Operating mode	Description	DHW	Cooling	Central heating	Protection function (antifreeze,...)
OFF	Off	Disabled	Disabled	Disabled	Disabled
	Summer	Enabled	Disabled	Disabled	Activated
	Summer with Cooling	Enabled	Enabled	Disabled	Activated
	Winter	Enabled	Disabled	Enabled	Activated
	Stand-by	Disabled	Disabled	Disabled	Activated

2.5 OPERATING MODE

The indoor unit can work in the following modes:

- OFF;
- STAND-BY (☸);
- SUMMER (☶);
- SUMMER WITH COOLING (☶ + ☸);
- WINTER (☶ + ☳).

If the indoor unit is at "OFF", press the button "⏻" to activate it. If this is not the case, go to the next point.

Then press the "MODE" button in sequence to set the system to stand-by (☸), summer (☶), summer with cooling (☶ + ☸), winter (☶ + ☳) position.

- **"OFF" mode**

By pressing this button, the display will show "OFF" and the system will be off. In this mode, the safety functions are not guaranteed and the remote devices are disconnected (Fig. 27).



In these conditions the indoor unit is considered still live even if there are no functions active.

- **"Stand-by" Mode**

Press the "MODE" button in succession until the ☸ symbol appears.

In this mode, the system is able to ensure protection functions only, such as: antifreeze function, antiblock function and any anomaly signals (Fig. 27).



In these conditions the system must still be considered powered.

- **Summer**

Press the "MODE" button in succession until the ☶ symbol appears.

In this mode the system allows the production of domestic hot water and ensures protection (Fig. 27).

- **Summer with cooling**

Press the "MODE" button in succession until the ☶ + ☸ symbol appears.

In this mode the system allows the production of domestic hot water, room cooling and dehumidification and ensures protection (Fig. 27).

- **Winter**

Press the "MODE" button in succession until the ☶ + ☳ symbol appears.

In this mode the system allows the production of domestic hot water and room central heating / C.H. and ensures protection (Fig. 27).

List of functions

The following functions can be set on the internal unit:

- DHW (Domestic hot water);
- Central heating / C.H.;
- Cooling;
- Dehumidify.

DHW

The domestic hot water can be produced with the heat pump or with electrical resistance.

The system automatically manages the activation of the generators to heat up the domestic hot water in the storage tank.

"Domestic hot water active" appears on the display during the activation.

It is possible to set the domestic hot water temperature adjustment in two ways: MANUAL or AUTOMATIC.

The selection is made by entering the DHW (Domestic hot water) menu ("DHW (Domestic hot water)" button) and setting the "Set management" parameter.

Manual adjustment (Man)

The temperature adjustment of the DHW (Domestic hot water) in MAN mode is made using the "Set DHW (Domestic hot water)" knob (Fig. 26) or by modifying the "Manual set" value within the "DHW settings" menu.

Confirmation can take place in two ways: by pressing the OK button or by waiting two minutes after changing the value.

Automatic adjustment (Auto)

The AUTOMATIC domestic hot water temperature adjustment involves setting the "Set comfort" and "Set economy" parameters in the "DHW settings" menu and choosing the calendar inside the menu

Time and program/DHW Program

In the selected time slots, the DHW (Domestic hot water) set will be automatically set to the "Set comfort" value; outside these, the set DHW (Domestic hot water) will be set to "Set economy" value.

It is possible to temporarily modify the DHW (Domestic hot water) set by setting a manual value using the "Set DHW (Domestic hot water)" knob (Fig. 26).

This setting will be lost when the time slot is next changed.

DHW (Domestic hot water) Boost


Activating the "DHW (Domestic hot water) Boost" function via the menu

DHW settings/Boost function = On

DHW (Domestic hot water) operation takes place with the contribution of both the heat pump and the electrical resistance, with a logic that minimises storage tank charging time.

Central heating

It is possible to set the central heating / C.H. activation parameters for each individual zone in three different ways: MANUAL, AUTOMATIC, OFF.

The selection is made by entering the “Zones” menu  and after having selected the zone of interest, access the menu

Settings/Function Mode

There are two types of requests:

- Request from room temperature in the presence of remote control

Enablings/Enable room control=Sonda/Panel.

- Request from TA (room thermostat)

Enablings/Enable thermostat = YES.

In the first case, the system works in the following way:

Manual adjustment (Man)

The central heating / C.H. request is adjusted according to a fixed room setpoint

Heating/Set Manual Heating.

When the room temperature is lower than the manual central heating / C.H. set, the appliance is started in central heating / C.H. mode.

Automatic adjustment (Auto)

There are two reference setpoints:

Heating/Set Comfort Heating

Heating/Set Economy Heating.

By associating a calendar with the relevant zone program, it is possible to determine the time slots for activating the central heating / C.H. comfort set. The time slots not set, correspond to the central heating / C.H. economy set.

When the detected room temperature is below the central heating / C.H. set active at that moment, the appliance is activated in central heating / C.H. mode.

Adjustment OFF

Central heating / C.H. always off.

In the second case, the system works in the following way:

Manual adjustment (Man)

The central heating / C.H. demand is activated according to the closing of the TA contact of the relative zone.

Automatic adjustment (Auto)


The central heating / C.H. demand is activated according to the closing of the TA contact of the relative zone, during zone presence in the comfort band.

Adjustment OFF

Central heating / C.H. always off.

Cooling

It is possible to set the cooling activation parameters for each individual zone in three different ways: MANUAL, AUTOMATIC, OFF.

The selection is made by entering the “Zones” menu  and after having selected the zone of interest, access the menu

Settings/Function Mode

There are two types of requests:

- Request from room temperature in the presence of remote control

Enablings/Enable room control=Sonda/Panel.

- Request from TA (room thermostat)

Enablings/Enable thermostat = YES.

In the first case, the system works in the following way:

Manual adjustment (Man)

The cooling request is adjusted according to a fixed room setpoint

Cooling/Set Manual Cooling.

When the room temperature is higher than the manual cooling set, the appliance is started in cooling mode.

Automatic adjustment (Auto)

There are two reference setpoints:

Cooling/Set Comfort Cooling

Cooling/Set Economy Cooling

By associating a calendar with the relevant zone program, it is possible to determine the time slots for activating the cooling comfort set. The time slots not set, correspond to the cooling economy set.

When the detected room temperature is above the cooling set active at that moment, the appliance is activated in cooling mode.

Adjustment OFF

Cooling always off.

In the second case, the system works in the following way:

Manual adjustment (Man)

The cooling demand is activated according to the closing of the TA contact of the relative zone.

Automatic adjustment (Auto)

The cooling demand is activated according to the closing of the TA contact of the relative zone, during zone presence in the comfort band.


Adjustment OFF

Cooling always off.

Dehumidify

If the system is coupled to a humidistat (optional) or a remote zone panel (optional) or a temp and humidity probe (optional), you can manage the room humidity in summer air conditioning mode.

- If coupled to a humidistat, set the degree of humidity on the humidistat itself (see the instruction booklet).
- If coupled to a humidity temperature sensor, set the humidity percentage in the relative user menu.
- If coupled to a zone remote panel, set the humidity percentage in the relative user menu of the control panel or directly in the menu of the panel (see instruction booklet).

The dehumidification adjustment parameters can be set by entering the "Zones" menu  and selecting the zone of interest by accessing the settings menu and finally the menu

Dehumidification/Set room humidity.

Dehumidification disabling

It is possible to disable dehumidification for a time slot, typically a night time slot, by setting

Dehumidification/Hourly disabling = Yes

and the start and end times of disabling.



In central heating or cooling request mode, if the temperature of the water in the system meets the request, the system can work simply by activating the circulator pump.

Clock and programs

From this menu, it is possible to set the system's date and time as well as the time slots for operation in Comfort and Economy mode.

• Date and time.

The date and time can be set by modifying the parameters in the menu

Time and program/Settings date and time.

Setting date and time

HOUR	⇅ 22:22
DAY	5
MONTH	1
YEAR	2020

28

• Time slots

It is possible to set 4 calendars with 4 time operating slots in system comfort mode. The system will operate in economy mode during out-of-range time of these 4 time slots.

After setting these 4 calendars it is possible to associate them to the various days of the week in the zone programs, DHW (Domestic hot water) and recirculation according to one's needs.

Set the time slots by modifying the menu

Time and program/Calendars.

Calendars

Calendar: 1

0	2	4	6	8	10	12	14	16	18	20	22	24
[1] 06:15 - 08:30												
[2] 11:30 - 13:45												
								[3] 17:45 - 23:00				
										[4] 24:00 - 24:00		

29

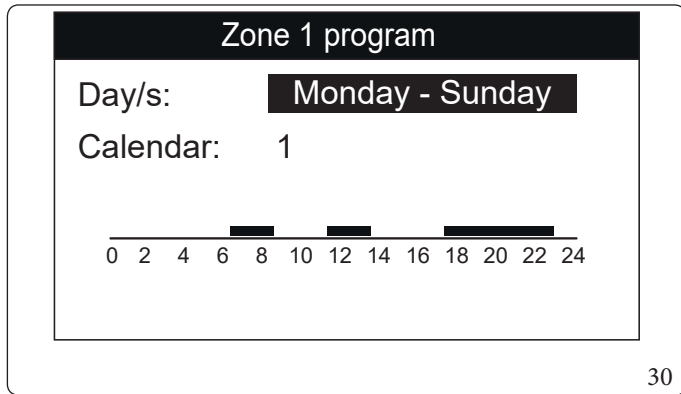
- **Program for Zone 1, Zone 2 (if present), Zone 3 (if present), DHW (Domestic hot water) and recirculation.**

Time ranges (calendars from 1 to 4) are assigned to Zone 1, Zone 2 (if present), Zone 3 (if present), DHW (Domestic hot water) and Central heating / C.H. in these menus.

You can assign the calendar to a single day or to a group of days (single day, Monday - Friday, Saturday - Sunday, Monday - Saturday, Monday - Sunday).

Therefore each day may be personalised with 4 different operating programs.

For convenient selection, the bottom part displays the graphics of the relevant calendar being selected (Fig. 30).



On the menu

Zones/Information

it is possible to identify the status of the various controls managing the central heating / C.H..

- **Holiday program.**

If required, it is possible to pause system operation for an established period.

Time and program/Holiday program

Set the period in which you wish to pause system operation. During this time, the previously set calendars will not be taken into consideration, modifying the menu.

Set the period in which you wish to pause system operation. During this time, the previously set calendars will not be taken into consideration.

The antifreeze function is still ensured during the holiday period.

Heat pump disabling

It is possible to disable the heat pump operation for a certain time slot, by setting

User/Disable Heat pump = Yes

and the start and end times of disabling.

Integration Disabling

The use of the integration electrical resistances can be permanently disabled by setting

User/Disable Integration = Yes.

Automatic Vent Function

In the case of new systems and, in particular, for floor systems, it is very important that de-aeration is performed correctly.

The function consists of the cyclic activation of the pumps and the 3-way valve.

The function is activated by setting

User/Enable Deaeration func. = Yes.

De-aeration lasts 9 hours and it can be interrupted by setting

User/Enable Deaeration func. = No.

Screed Heater Function

The indoor unit is equipped with a function to perform the thermal shock on new radiant panel systems, as required by the applicable standard.



Contact the manufacturer of the radiant panels for the thermal shock characteristics and its correct execution.



To be able to activate the function there must be no remote control connected, while in case of system divided into zones it must be properly connected, both hydraulically and electrically.

The active zone pumps are those with ongoing requests, made via the room thermostat input.

The standard function lasts in total 7 days - 3 days at the lowest temperature set and 4 days at the highest temperature set (Fig. 31). Duration can be changed by changing the value of the parameters

Screed heater/Staying time at minimum set

Screed heater/Staying time at maximum set

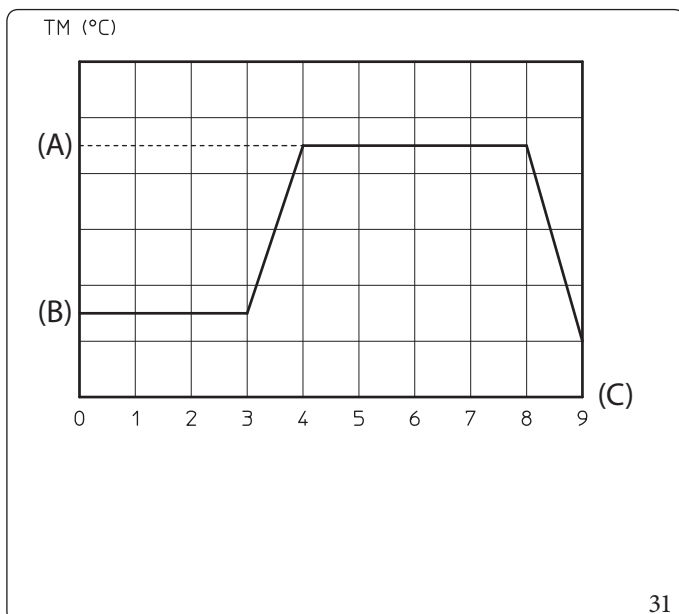
and the temperature gradients within the same menu.

The function is activated from the indoor unit in stand-by, by accessing the menu

Screed heater/Activation.

At this point, the message "Screed heater active" appears on the display.

In case of failure, the function is suspended and will resume when normal operating conditions are reset from the point where it was interrupted.



Operation with external probe

It is possible to use the thermoregulation functions associated to an external probe.

The system is standard set up to use the outdoor condensing unit external probe or an optional external probe.

With the external probe connected and the thermoregulation function active, the system flow setpoint for room central heating / C.H. or cooling is managed by the system according to the outdoor temperature measured (Par. 1.12).

You can correct the flow setpoint by choosing the offset value in the specific user menu.

It is possible to enable thermal adjustment for each individual zone. The symbol is present in case of thermoregulation of at least one zone.

Key (Fig. 31):

(A) - Top set

(B) - Lower set

(C) - Days

2.6 PARAMETERS AND INFORMATION MENU

“DHW (Domestic hot water)” Menu.

Press the “DHW (Domestic hot water)” button to access a list of variables that enable you to customise use of the DHW (Domestic hot water).

Hereunder is a list of available menus:

DHW settings				
Menu item	Description	Range	Default	Customised value
Boost function	Enabling of DHW (Domestic hot water) BOOST function	Off/On/Auto	Off	
Set management	Enabling of the DHW (Domestic hot water) setpoint management in Automatic mode	Manual/Auto	Auto	
Comfort set	Domestic hot water accumulation setpoint in Comfort phase (Automatic mode)	20 ÷ 65 °C	20	
Economy set	Domestic hot water accumulation setpoint in Economy phase (Automatic mode)	10 ÷ 35 °C	10	
Set manual	Domestic hot water accumulation setpoint in Manual phase	10 ÷ 65 °C	10	
Temperature	Display of the DHW (Domestic hot water) temperature	-	-	

INSTALLER

USER

MAINTENANCE TECHNICIAN

TECHNICAL DATA

Zones Menu.

Press the “Zones” BUTTON  to access a list of variables that enable you to customise use of the zones.

Hereunder is a list of available menus:

Zones	
Menu item	Description
Zone 1	Defines the operating parameters to manage zone 1.
Zone 2 (*)	Defines the operating parameters to manage the zone 2 (if present).
Zone 3 (*)	Defines the operating parameters to manage the zone 3 (if present).
General informations	This display system operating data.

Zones/Zone 1	
Menu item	Description
Information	This displays the system operating data.
Settings	Defines the operating parameters to manage zone 1.

Zones/Zone 1/Information	
Menu item	Description
Room temperature	Room temperature on zone 1
Room humidity	Zone 1 room humidity
Dewpoint temperature	Zone 1 dew temperature
Room temperature set	Room setpoint set on zone 1
Room humidity	Room humidity setpoint set on zone 1
Delivery water set	Flow setpoint on zone 1
Delivery water temp.	Flow temperature set on zone 1
Working mode status	Description of the zone 1 operating mode OFF = zone in OFF mode ECO = Zone in economy mode COMFORT = zone in comfort mode MANUAL = zone in manual mode

Zones/Zone 1/Settings				
Menu item	Description	Range	Default	Customised value
Working mode	Setting of the zone 1 operating mode. OFF = zone in OFF mode AUTO = Zone in Automatic mode MAN = zone in manual mode	OFF/MAN/ AUTO	Auto	
Central Heating				
Cooling				
Dehumidification				

(*) if present.

Zones/Zone 1/Settings/Heating

Menu item	Description	Range	Default	Customised value
Comfort Set	Room setpoint in central heating zone 1 Comfort mode (Auto mode)	10 ÷ 35°C	20	
Economy Set	Room setpoint in central heating zone 1 Economy mode (Auto mode)	5 ÷ 30°C	16	
Set manual	Room setpoint in central heating zone 1 manual mode	5 ÷ 35°C	20	
Set delivery water	Flow setpoint set for zone 1 in central heating / C.H.	10 – 55°C	40	
Offset delivery water	Offset temperature for central heating zone 1	-9 ÷ +9°C	0	

Zones/Zone 1/Settings/Cooling

Menu item	Description	Range	Default	Customised value
Comfort Set	Room temperature in cooling zone 1 in Comfort mode (Auto mode)	10 ÷ 35°C	25	
Economy Set	Room temperature in cooling zone 1 in Economy mode (Auto mode)	5 ÷ 30°C	28	
Set Manual	Room setpoint in cooling zone 1 manual mode	5 ÷ 35°C	25	
Set delivery water	Flow setpoint set for zone 1 in cooling	5 ÷ 25 C	20	
Offset delivery water	Offset temperature for cooling zone 1	-9 ÷ +9°C	0	

Zones/Zone 1/Settings/Dehumidification

Menu item	Description	Range	Default	Customised value
Set room humidity	Humidity setpoint for zone 1	30 ÷ 70 %	50	
Hourly disabling	Disabling of request to the dehumidifier, according to the daily time slot	No/Yes	No	
Hourly disabling start	Time of dehumidification request disabling phase start	0-23	0h	
Hourly disabling stop	Time of dehumidification request disabling phase end	0-23	0h	

INSTALLER

USER

MAINTENANCE TECHNICIAN

TECHNICAL DATA

Zones/Zone 2 (*)	
Menu item	Description
Information	This displays the system operating data.
Settings	Defines the operating parameters to manage the zone 2.

Zones/Zone 2 (*)/Information	
Menu item	Description
Room temperature	Room temperature on zone 2
Room humidity	Zone 2 room humidity
Dewpoint temperature	Zone 2 dew temperature
Room temperature set	Room setpoint set on zone 2
Room humidity	Room humidity setpoint set on zone 2
Delivery water set	Flow setpoint on zone 2
Delivery water temp.	Flow temperature set on zone 2
Working mode status	Description of the zone 2 operating mode OFF = zone in OFF mode ECO = Zone in economy mode COMFORT = zone in comfort mode MANUAL = zone in manual mode

Zones/Zone 2 (*)/Settings				
Menu item	Description	Range	Default	Customised value
Working mode	Setting of the zone 2 operating mode. OFF = zone in OFF mode AUTO = Zone in Automatic mode MAN = zone in manual mode	OFF/MAN/ AUTO	Auto	
Central Heating				
Cooling				
Dehumidification				

Zones/Zone 2 (*)/Settings/Heating				
Menu item	Description	Range	Default	Customised value
Comfort Set	Room setpoint in central heating zone 2 Comfort mode (Auto mode)	10 ÷ 35°C	20	
Economy Set	Room setpoint in central heating zone 2 Economy mode (Auto mode)	5 ÷ 30°C	16	
Set manual	Room setpoint in central heating zone 2 manual mode	5 ÷ 35°C	20	
Set delivery water	Flow setpoint set for zone 2 in central heating / C.H.	10 – 55°C	40	
Offset delivery water	Offset temperature for central heating zone 2	-9 ÷ +9°C	0	

(*) if present.

Zones/Zone 2(*)/Settings/Cooling

Menu item	Description	Range	Default	Customised value
Comfort Set	Room temperature in cooling zone 2 in Comfort mode (Auto mode)	10 ÷ 35°C	25	
Economy Set	Room temperature in cooling zone 2 in Economy mode (Auto mode)	5 ÷ 30°C	28	
Set Manual	Room setpoint in cooling zone 2 manual mode	5 ÷ 35°C	25	
Set delivery water	Flow setpoint set for zone 2 in cooling	5 ÷ 25°C	20	
Offset delivery water	Offset temperature for cooling zone 2	-9 ÷ +9°C	0	

Zones/Zone 2(*)/Settings/Dehumidification

Menu item	Description	Range	Default	Customised value
Set room humidity	Humidity setpoint for zone 2	30 ÷ 70 %	50	
Hourly disabling	Disabling of request to the dehumidifier, according to the daily time slot	No/Yes	No	
Hourly disabling start	Time of dehumidification request disabling phase start	0-23	0h	
Hourly disabling stop	Time of dehumidification request disabling phase end	0-23	0h	

(*) if present.

INSTALLER

USER

MAINTENANCE TECHNICIAN

TECHNICAL DATA

Zones/Zone 3 (*)	
Menu item	Description
Information	This displays the system operating data.
Settings	Defines the operating parameters to manage the zone 3.

Zones/Zone 3 (*)/Information	
Menu item	Description
Room temperature	Room temperature on zone 3
Room humidity	Zone 3 room humidity
Dewpoint temperature	Zone 3 dew temperature
Room temperature set	Room setpoint set on zone 3
Room humidity	Room humidity setpoint set on zone 3
Delivery water set	Flow setpoint on zone 3
Delivery water temp.	Flow temperature set on zone 3
Working mode status	Description of the zone 3 operating mode OFF = zone in OFF mode ECO = Zone in economy mode COMFORT = zone in comfort mode MANUAL = zone in manual mode

Zones/Zone 3 (*)/Settings				
Menu item	Description	Range	Default	Customised value
Working mode	Setting of the zone 3 operating mode. OFF = zone in OFF mode AUTO = Zone in Automatic mode MAN = zone in manual mode	OFF/MAN/ AUTO	Auto	
Central Heating				
Cooling				
Dehumidification				

Zones/Zone 3 (*)/Settings/Central Heating				
Menu item	Description	Range	Default	Customised value
Comfort Set	Room setpoint in central heating zone 3 Comfort mode (Auto mode)	10 ÷ 35°C	20	
Economy Set	Room setpoint in central heating zone 3 Economy mode (Auto mode)	5 ÷ 30°C	16	
Set manual	Room setpoint in central heating zone 3 manual mode	5 ÷ 35°C	20	
Set delivery water	Flow setpoint set for zone 3 in central heating / C.H.	10 – 55°C	40	
Offset delivery water	Offset temperature for central heating zone 3	-9 ÷ +9°C	0	

(*) if present.

Zones/Zone 3 (*)/Settings/Cooling

Menu item	Description	Range	Default	Customised value
Comfort Set	Room temperature in cooling zone 3 in Comfort mode (Auto mode)	10 ÷ 35°C	25	
Economy Set	Room temperature in cooling zone 3 in Economy mode (Auto mode)	5 ÷ 30°C	28	
Set Manual	Room setpoint in cooling zone 3 manual mode	5 ÷ 35°C	25	
Set delivery water	Flow setpoint set for zone 3 in cooling	5 ÷ 25°C	20	
Offset delivery water	Offset temperature for cooling zone 3	-9 ÷ +9°C	0	

Zones/Zone 3 (*)/Settings/Dehumidification

Menu item	Description	Range	Default	Customised value
Set room humidity	Humidity setpoint for zone 3	30 ÷ 70 %	50	
Hourly disabling	Disabling of request to the dehumidifier, according to the daily time slot	No/Yes	No	
Hourly disabling start	Time of dehumidification request disabling phase start	0-23	0h	
Hourly disabling stop	Time of dehumidification request disabling phase end	0-23	0h	

(*) if present.

INSTALLER

USER

MAINTENANCE TECHNICIAN

TECHNICAL DATA

Zones/General informations				
Menu item	Description	Range	Default	Customised value
External temperature	External temper. detected by the external probe (optional)	-	-	
Plant delivery water set	Flow temperature set on the system	-	-	
Zone 1 delivery water set	Flow temperature set on zone 1	-	-	
Zone 1 request	Request present on zone 1 No = no request CH = Central heating/ C.H. request Cool = cooling demand Dehum = Dehumidification request in neutral air Air C. = Dehumidification request in cooled air C + D = Cooling and dehumidification requests in neutral air C + A = Cooling and dehumidification requests in cool air	No CH Cool Dehum Air C. C + D C + A	-	
Zone 2 delivery water set (*)	Flow temperature set on zone 2 (if present)	-	-	
Zone 2 request (*)	Request present on zone 1 No = no request CH = Central heating/ C.H. request Cool = cooling demand Dehum = Dehumidification request in neutral air Air C. = Dehumidification request in cooled air C + D = Cooling and dehumidification requests in neutral air C + A = Cooling and dehumidification requests in cool air	No CH Cool Dehum Air C. C + D C + A	-	
Zone 3 delivery water set (*)	Flow temperature set on zone 3 (if present)	-	-	
Zone 3 request (*)	Request present on zone 1 No = no request CH = Central heating/ C.H. request Cool = cooling demand Dehum = Dehumidification request in neutral air Air C. = Dehumidification request in cooled air C + D = Cooling and dehumidification requests in neutral air C + A = Cooling and dehumidification requests in cool air	No CH Cool Dehum Air C. C + D C + A	-	

(*) if present.

Main Menu.

Press the “MENU” button to access a list of variables that enable you to customise use of the system.

Hereunder is a list of available menus:

Menu	
Menu item	Description
Time and program	Defines the date/time and time operating slots
User	Defines the system parameters that can be modified by the user
Information	Display system operating data
Fault history	Displays the list of the last 10 anomalies
General settings	Allows selecting the panel operating language, the display operating mode and to access the password-protected menus dedicated to a qualified technician.

Menu/Time and program				
Menu item	Description	Range	Default	Customised value
Zone 1 program	Zone 1 time scheduling	-	-	
	Zone 1: Monday	CAL1, CAL2, CAL3, CAL4	CAL1	
	Zone 1: Tuesday	CAL1, CAL2, CAL3, CAL4	CAL1	
	Zone 1: Wednesday	CAL1, CAL2, CAL3, CAL4	CAL1	
	Zone 1: Thursday	CAL1, CAL2, CAL3, CAL4	CAL1	
	Zone 1: Friday	CAL1, CAL2, CAL3, CAL4	CAL1	
	Zone 1: Saturday	CAL1, CAL2, CAL3, CAL4	CAL1	
	Zone 1: Sunday	CAL1, CAL2, CAL3, CAL4	CAL1	
Zone 2 program	Zone 2 time scheduling (if present)	-	-	
	Zone 2: Monday	CAL1, CAL2, CAL3, CAL4	CAL1	
	Zone 2: Tuesday	CAL1, CAL2, CAL3, CAL4	CAL1	
	Zone 2: Wednesday	CAL1, CAL2, CAL3, CAL4	CAL1	
	Zone 2: Thursday	CAL1, CAL2, CAL3, CAL4	CAL1	
	Zone 2: Friday	CAL1, CAL2, CAL3, CAL4	CAL1	
	Zone 2: Saturday	CAL1, CAL2, CAL3, CAL4	CAL1	
	Zone 2: Sunday	CAL1, CAL2, CAL3, CAL4	CAL1	

Menu item	Description	Range	Default	Customised value
Zone 3 program	Zone 3 time scheduling (if present)	-	-	
	Zone 3: Monday	CAL1, CAL2, CAL3, CAL4	CAL1	
	Zone 3: Tuesday	CAL1, CAL2, CAL3, CAL4	CAL1	
	Zone 3: Wednesday	CAL1, CAL2, CAL3, CAL4	CAL1	
	Zone 3: Thursday	CAL1, CAL2, CAL3, CAL4	CAL1	
	Zone 3: Friday	CAL1, CAL2, CAL3, CAL4	CAL1	
	Zone 3: Saturday	CAL1, CAL2, CAL3, CAL4	CAL1	
	Zone 3: Sunday	CAL1, CAL2, CAL3, CAL4	CAL1	
DHW program	DHW operation time programming	-	-	
	DHW (Domestic hot water) - Monday	CAL1, CAL2, CAL3, CAL4	CAL1	
	DHW (Domestic hot water) - Tuesday	CAL1, CAL2, CAL3, CAL4	CAL1	
	DHW (Domestic hot water) - Wednesday	CAL1, CAL2, CAL3, CAL4	CAL1	
	DHW (Domestic hot water) - Thursday	CAL1, CAL2, CAL3, CAL4	CAL1	
	DHW - Friday	CAL1, CAL2, CAL3, CAL4	CAL1	
	DHW (Domestic hot water) - Saturday	CAL1, CAL2, CAL3, CAL4	CAL1	
	DHW (Domestic hot water) - Sunday	CAL1, CAL2, CAL3, CAL4	CAL1	

Menu item	Description	Range	Default	Customised value
Recirc. pump program	Recirculation operation time programming	-	-	
	Recirculation - Monday	CAL1, CAL2, CAL3, CAL4	CAL1	
	Recirculation - Tuesday	CAL1, CAL2, CAL3, CAL4	CAL1	
	Recirculation - Wednesday	CAL1, CAL2, CAL3, CAL4	CAL1	
	Recirculation - Thursday	CAL1, CAL2, CAL3, CAL4	CAL1	
	Recirculation - Friday	CAL1, CAL2, CAL3, CAL4	CAL1	
	Recirculation - Saturday	CAL1, CAL2, CAL3, CAL4	CAL1	
	Recirculation - Sunday	CAL1, CAL2, CAL3, CAL4	CAL1	
Holiday program	Defines the period during which the system disables both hot water heating and room central heating and/or cooling functions. At the end of the set days, the previously active functions will be reset.	-	Deactive	

Menu/User				
Menu item	Description	Range	Default	Customised value
Disable Heat Pump	It allows to disable the heat pump according to the set time slot.	Yes/No	No	
HP disabling Start time	Allows to set when disabling starts.	0 - 23	0	
HP disabling End time	Allows to set when disabling ends.	0 - 23	0	
Disable Integration	Allows to permanently disable the integration generator.	Yes/No	No	
Enable Deaeration func.	Enables the de-aeration function.	Yes/No	No	
Screed Warmer		-	-	

INSTALLER

USER

MAINTENANCE TECHNICIAN

TECHNICAL DATA

Menu/User/Screed Warmer				
Menu item	Description	Range	Default	Customised value
Staying time at minimum set	Defines the time spent at minimum operating temperature during the active function	1 - 7 days	3	
Climb gradient	Defines the ascent gradient of the temperature	3 ÷ 30 °C/g	30	
Staying time at maximum set	Defines the time spent at maximum operating temperature during the active function	1 - 14 days	4	
Descent gradient	Defines the descent gradient of the temperature	3 ÷ 30 °C/g	30	
Minimum flow set	Defines the minimum delivery temperature of the screed heater function	20 ÷ 45 °C	25	
Working mode	Defines the maximum delivery temperature of the screed heater function	25 ÷ 55 °C	45	
Riscaldamento / [Central Heating]	Activation of the screed heater function	Yes/No	No	

Menu/Information	
Menu item	Description
Heat Pump	Defines the heat pump operating parameters.
Boards revisions	This displays the system board revisions.
Counters	This displays the operating data.

Menu/Information/Heat Pump	
Menu item	Description
Flow temperature	Heat pump flow temperature
Return temperature	Heat pump return temperature
Compr. output temp.	Outdoor condensing unit compressor temperature
Compr. discharge temp.	Outdoor condensing unit compressor discharge temperature
Compr. suction temp.	Outdoor condensing unit compressor inlet temperature
Expansion valve position	Outdoor condensing unit expansion valve position
Refrigerant temperature	Coolant temperature inside the plate heat exchanger
Evaporator temperature	Outdoor condensing unit coil temperature
HP external temperature	Outside temperature
HP frequency	Heat pump frequency
HP request mode	Status of the request to heat pump
HP status	Heat pump status
CH electric heater	System resistance active control
DHW electric heater 1	Standard DHW (Domestic hot water) resistance active control
System status	Technical parameter (only for Immergas Assistance)
Integration status	Technical parameter (only for Immergas Assistance)
Output status	Technical parameter (only for Immergas Assistance)
DHW electric heater 2	Manual ignition of the DHW (Domestic hot water) resistance 2
Disable Heat Pump	Heat pump activation/deactivation status
Inverter current	Outdoor condensing unit inverter current
High fan speed	High outdoor condensing unit fan speed
Low fan speed	Low outdoor condensing unit fan speed
HP setpoint	Request setpoint to heat pump

Menu item	Description
Pump speed]	Heat pump circulator speed
Plant deliv. water temp.	System temperature
Plant set correction	Current correction of the flow setpoint
Plant flow rate	Heat pump circuit flow rate
Photovoltaic input	Operating status combined with a photovoltaic system
Power reduction	This displays a reduction of the PdC operating frequency
Three-way Cool/Heat	Summer/Winter Three-way Position
Recirculating pump	Active recirculation pump
Information 1	Communication board type
Information 2	Days left until the end of the screed heater
Information 3	Not used
Information 4	Not used
Information 5	Not used

INSTALLER

Menu/Information/Boards revisions	
Menu item	Description
Display board rev. SW	Remote panel software revision
Display board rev. HW	Remote panel hardware revision
Supervis. board SW	Supervision board software revision
Supervis. board BIOS	Supervision board hardware revision
OU main board rev. n.	Outdoor condensing unit main board firmware revision
OU main board rev. date	Outdoor condensing unit main board firmware data
OU inverter rev. n.	Outdoor condensing unit inverter board firmware revision
OU inverter rev. date	Outdoor condensing unit inverter board firmware data
OU eeprom rev. n.	Outdoor condensing unit EEPROM firmware revision
OU eeprom rev. date	Outdoor condensing unit EEPROM firmware data
OU interface rev. n.	Communication board firmware revision
OU interface rev. date	Communication board firmware data
Expans. board rev. (high)	Revision of the expansion board (top part)
Expans. board rev. (low)	Revision of the expansion board (bottom part)

USER

MAINTENANCE TECHNICIAN

Menu/Information/Counters	
Menu item	Description
HP operating hours	Number of hours of operation of the compressor
CHEH operating hours	Hours of operating of the electrical resistance
DHW EH 1 operating hours	Hours of operation of the standard DHW (Domestic hot water) resistance
DHW EH 2 operating hours	Hours of operation of the optional DHW (Domestic hot water) resistance

TECHNICAL DATA

Menu/ Fault history	
Menu item	Description
Alarms reset	Resets the list of anomalies
Historical alarm code	

Menu/Fault history/ Fault history	
Menu item	Description
Historical alarm code	
Historical index	This displays the selected anomaly code
Alarm code	

Menu/ General settings				
Menu item	Description	Range	Default	Customised value
Language	Defines the remote panel operation language	ITA/ENG	IT	
Display	It allows for various display adjustments.			
Menu access level	Allows the entry of an access code to access the parameter customisation menus according to ones needs (dedicated to a qualified technician)			

Menu/General settings/ Display				
Menu item	Description	Range	Default	Customised value
Contrast	Allows to adjust the display contrast	0 ÷ 10	5	
Backlight	Allows to set the display operation mode	OFF/MIN/ AUTO/MAX	AUTO	




The parameters referring to zone 2 can only be displayed if there is a zone 2 on the system and it is configured correctly.



The parameters referring to zone 3 can only be displayed if there is a zone 3 on the system and it is configured correctly.

2.7 FAULT AND ANOMALY SIGNALS

The indoor unit indicates a possible anomaly through a code flanked by the symbol of a key “” in the centre of the display and the message “indoor unit anomaly” at the bottom of the display itself (Fig. 26).

Error Code	Anomaly signalled	Cause	Boiler status/ Solution
5	Delivery probe fault	The board detects an anomaly on the flow NTC probe.	The system does not start (1).
8	Incorrect operation/ fault reset	Number of allowed resets already performed.	The anomaly can be reset 5 consecutive times, after which the function is inhibited for at least one hour and it is possible to try once every hour, for a maximum of 5 attempts. By switching the appliance on and off again, the 5 attempts are re-acquired
12	Storage tank probe anomaly	The board detects an anomaly on the storage tank probe	The hydronic module is unable to produce domestic hot water (1).
15	Configuration error	If the board detects an anomaly or incongruity on the electric wiring, the appliance will not start	If normal conditions are restored, the heat generator restarts without having to be reset (1).
23	Return probe anomaly	The board detects an anomaly on the return NTC probe	The system does not start (1).
24	Push button control panel anomaly	The board detects an anomaly on the pushbutton panel.	If normal conditions are restored, the system restarts without having to be reset (1).
26	Flowmeter anomaly	The board detects an anomaly on the flowmeter. Booster pump, if any, always working.	The system does not start (1). Make sure the booster pump (optional) only activates when requested.
27	Circulation insufficient	This happens when the hydronic module overheats due to poor water circulation in the primary circuit. The causes can be: - pdc pump blocked; free the pump; - damaged flowmeter.	Check system circulation and flowmeter. Press the Reset button (1).
32	Zone 2 Low Temperature probe anomaly	If the board detects an anomaly on the zone 2 low temperature probe, the system cannot work in the affected area.	(1)
(1) If the shutdown or fault persists, contact an authorised company (e.g. Authorised After-Sales Technical Assistance Centre).			

Error Code	Anomaly signalled	Cause	Boiler status/ Solution
33	Zone 3 low temperature probe anomaly	If the board detects an anomaly on the zone 3 low temperature probe; the system cannot work in the affected area.	(1)
34	Low-temperature Zone 2 safety thermostat intervention	During normal operation, if an anomaly causes excessive overheating of the flow temperature in the low temperature zone 2, the unit indicates the malfunction.	The unit does not meet the zone central heating requirement. (1)
35	Low-temperature zone 3 safety thermostat intervention	During normal operation, if an anomaly causes excessive overheating of the flow temperature in the low temperature zone 3, the unit indicates the malfunction.	The unit does not meet the zone central heating requirement. (1)
37	Low power supply voltage value	This occurs when the power supply voltage is lower than the allowed limits for correct system operation.	If normal conditions are restored, the system restarts without having to be reset (1)
50	External probe anomaly	In the event the external probe is not connected or is faulty, the anomaly is indicated.	Check the external probe connection. The system continues to operate with the external probe integrated in the external condensing unit (1). In case of replacement of the external probe, repeat the installation operations.
55	Zone 1 temperature probe anomaly	The zone 1 room probe has an out of range resistive value	(1)
104	Zone 3 off-line expansion alarm	The device connected to zone 3 is offline	(1)
120	Alarm set high for zone 1 dehumidification	The cooling flow set calculated for dehumidification is higher than the limit set in zone 1	The calculated flow set is higher than the limit allowed by the dehumidifier. Cool the room and wait for the dew temperature to go back within acceptable values (1).
121	Zone 1 offline device alarm	The device connected to zone 1 is offline	(1)
122	Zone 2 offline device alarm	The device connected to zone 2 is offline	(1)
123	Zone 3 offline device alarm	The device connected to zone 3 is offline.	(1)
125	zone 1 room temperature probe error	The zone 1 room probe has an out of range resistive value	(1)
126	zone 2 room temperature probe error	The zone 2 room probe has an out of range resistive value	(1)

(1) If the shutdown or fault persists, contact an authorised company (e.g. Authorised After-Sales Technical Assistance Centre).

Error Code	Anomaly signalled	Cause	Boiler status/ Solution
127	zone 3 room temperature probe error	The zone 3 room probe has an out of range resistive value.	(1)
129	Zone 1 humidity probe error	Anomaly on the zone 1 humidity probe.	In addition to the humidity, the dew point is not calculated for the zone either (1). Zone humidity cannot be checked.
130	Zone 2 humidity probe error	Anomaly on the zone 2 humidity probe.	In addition to the humidity, the dew point is not calculated for the zone either (1). Zone humidity cannot be checked.
131	Zone 3 humidity probe error	Anomaly on the zone 3 humidity probe.	In addition to the humidity, the dew point is not calculated for the zone either (1). Zone humidity cannot be checked.
132	Alarm set high for zone 2 dehumidification	The cooling flow set calculated for dehumidification is higher than the limit set in zone 2	The calculated flow set exceeds the limit permitted by the dehumidifier. Cool the room and wait for the dew temperature to go back within acceptable values (1).
133	Zone 1 dehumidifier fault alarm	Anomaly coming from the dehumidifier (optional) on zone 1	The system does not dehumidify in the relative zone (1)
134	Zone 2 dehumidifier fault alarm	Anomaly coming from the dehumidifier (optional) in zone 2	The system does not dehumidify in the relative zone (1)
135	Zone 3 dehumidifier fault alarm	Anomaly coming from the dehumidifier (optional) on zone 3	The system does not dehumidify in the relative zone (1)
136	High set alarm for dehumidification-zone 3	The cooling flow set calculated for dehumidification exceeds the limit set in zone 3	The calculated flow set is higher than the limit allowed by the dehumidifier. Cool the room and wait for the dew temperature to go back within acceptable values (1).
137	Reset system alarm – Restart the system	When the default parameters are restored, the system needs to be restarted.	Turn the system off and on.
138	Screed heater in progress	Screed heater function in progress	No demand can be made until the end of the function in progress (1)

(1) If the shutdown or fault persists, contact an authorised company (e.g. Authorised After-Sales Technical Assistance Centre).

INSTALLER

USER


MAINTENANCE TECHNICIAN

TECHNICAL DATA

Error Code	Anomaly signalled	Cause	Boiler status/ Solution
139	Air purge in execution	Air purging function in progress	No demand can be made until the end of the function in progress (1)
142	Errore Dominus offline	Communication with Dominus is offline	(1)
177	DHW maximum time alarm	Domestic hot water production is not met within the pre-established time (see parameter P014)	The system continues to operate with non-optimal performance (1)
178	Block: anti-legionella cycle not successful	The anti-Legionella cycle is run without success within the pre-established time (see parameter P013)	Press the Reset button (1)
179	Liquid phase probe alarm	The board detects an anomaly on the liquid phase NTC probe.	The system does not start (1).
183	Outdoor condensing unit in test mode	A signal notifies that the outdoor condensing unit is in test mode	During this time, room air conditioning and domestic hot water production requirements cannot be met
188	Request out of operating range	A request is made with the outdoor temperature exceeding the operating limits (Parag. 1.15)	The system does not start (1). Wait for the outdoor condensing unit to be restored within operating limits.
189	Time out alarm with communication board	If communication between the printed circuit boards is lost, an anomaly is signalled.	The system does not start (1). Check communication between the P.C.B. and the interface board.
195	Alarm low liquid phase probe temperature	Too low temperature is detected in the liquid phase	Check that the cooling circuit is working properly (1).
196	High flow temp. block	An excessively high temperature is detected on the heat pump flow circuit	Check the hydraulic circuit (1).
197	Communication board configuration error	An incorrect communication board configuration has been detected	The system does not start (1).

(1) If the shutdown or fault persists, contact an authorised company (e.g. Authorised After-Sales Technical Assistance Centre).

List of anomalies outdoor condensing unit

If the outdoor condensing unit is faulty, the error code is displayed in the middle of the control panel (Fig. 26) with a key symbol next to it “”.

In addition, the message “Outdoor condensing unit anomaly” is displayed at the bottom of the display (Fig. 26).

Error Code	Anomaly signalled	Hydronic module status / Solution
101	Communication error of the outdoor condensing unit	Check the communication cable to the outdoor condensing unit. Check that the interface board works properly. (1)
109	Communication error due to incorrect address of interface board	Check the address on the interface board. (1)
111	MODBUS communication error	Check communication between the management board and interface boards. (1)
162	EEPROM error	Replace the main board of the outdoor condensing unit (1)
177	Emergency error	(1)
201	Communication error (failed coupling) between the interface board and the outdoor condensing unit	Check the communication cable to the outdoor condensing unit. Check that the interface board and main board of the outdoor condensing unit work properly (1)
202	Communication error (failed coupling) between indoor unit and interface board	Check the communication cable to the outdoor condensing unit. Check that the interface board and main board of the outdoor condensing unit work properly (1)
203	Communication error between Inverter and main board of the outdoor condensing unit	Check wiring of communication between the two boards. Replace the main board. Replace the inverter board (1)
221	Outdoor condensing unit air temperature sensor error	Check the position of the sensor. Check the relative wiring Replace the sensor (1)
231	Condenser temperature sensor error	Check the position of the sensor. Check the relative wiring Replace the sensor (1)

(1) If the shutdown or fault persists, contact an authorised company (e.g. Authorised After-Sales Technical Assistance Centre).

INSTALLER

USER

MAINTENANCE TECHNICIAN

TECHNICAL DATA

Error Code	Anomaly signalled	Hydronic module status / Solution
251	Discharge temperature sensor error	Check the position of the sensor. Check the relative wiring Replace the sensor
320	Compressor sensor error (overload protection sensor)	Check the position of the sensor. Check the relative wiring Replace the sensor (1)
403	Freezing detection (during cooling operation)	Check the chiller cycle. Check the temperatures of the plate heat exchanger (1)
404	Protection of outdoor condensing unit when in overload (during safety start-up, normal operating status)	Check the chiller cycle. Check the compressor connections. Check the resistances between the different phases of the compressor (1)
407	Compressor not working due to high pressure	Check the chiller cycle (1)
416	The compressor discharge is overheated	(1)
425	Not used on this model	(1)
440	Central heating blocked (outdoor temperature beyond 35°C)	(1)
441	Cooling blocked (outdoor temperature below 9°C)	(1)
458	Error of outdoor condensing unit fan no.1	1
461	Compressor start-up error (Inverter)	Check the chiller cycle. Check the compressor connections. Check the resistances between the different phases of the compressor (1)
462	Inverter total current overload error	Check the inlet current. Check the refrigerant charge. Check normal operation of the fan. (1)
463	Compressor overheated sensor	Check the compressor sensor. (1)

(1) If the shutdown or fault persists, contact an authorised company (e.g. Authorised After-Sales Technical Assistance Centre).

Error Code	Anomaly signalled	Hydronic module status/ Solution
464	Inverter IPM current overload error	Check the compressor connections and its normal operation. Check the refrigerant charge. Check whether there are obstacles around the outdoor condensing unit. Check whether the service valve is open. Check whether the installation pipes are mounted properly. (1)
465	Compressor overload error	Check the compressor connections and its normal operation. Check the resistances between the different phases of the compressor. (1)
466	Low voltage error of DC circuit	Check the input voltage. Check the power connections. (1)
467	Compressor rotation error	Check the compressor connections. Check the resistances between the different phases of the compressor. (1)
468	Current sensor error (inverter)	Check the main board. (1)
469	Voltage sensor error of DC circuit (inverter)	Check the power connector of the inverter board. Check the connectors RY21 and R200 of the inverter board. (1)
470	EEPROM reading/writing error of outdoor condensing unit	Check the main board. (1)
471	EEPROM reading/writing error of outdoor condensing unit	Check the main board. (1)
474	Inverter temperature sensor error	Replace inverter board (1)
475	Error of outdoor condensing unit fan no.2 (where present)	Check the wiring. Check that the fan is powered. Check the board fuses. (1)
484	PFC overload	Check inductances. Replace inverter board. (1)
(1) If the shutdown or fault persists, contact an authorised company (e.g. Authorised After-Sales Technical Assistance Centre).		

INSTALLER

USER

MAINTENANCE TECHNICIAN

TECHNICAL DATA

Error Code	Anomaly signalled	Hydronic module status / Solution
485	Incoming current sensor error	Replace inverter board. (1)
488	Incoming voltage sensor error	Replace inverter board. (1)
500	IPM overheated	Check temperature of inverter board. Switch the machine off. Wait for the inverter to cool down. Switch the machine back on. (1)
554	Coolant gas leak error	Check that the coolant is charged Check the liquid sensor of the indoor unit Check whether the service valve is open Check whether the installation pipes are mounted properly. (1)
590	Inverter board error	Check normal operation of the main board. Replace the main board (1)
(1) If the shutdown or fault persists, contact an authorised company (e.g. Authorised After-Sales Technical Assistance Centre).		

2.8 RESTORE CENTRAL HEATING SYSTEM PRESSURE

1. Periodically check the system water pressure (the indoor unit's pressure gauge hand must indicate a value between 1 and 1.2 bar).
2. If the pressure falls below 1 bar (when the system is cold) restore normal pressure via the relevant cock located to the right of the generator and accessible from the side door (Fig. 32).
3. Close the cock after the operation.
4. If the pressure reaches values around 3 bar, there is a risk of tripping the safety valve (in this case, remove water from a radiator air vent valve until a pressure of 1 bar is achieved, or ask for assistance from professionally qualified personnel).
5. In the event of frequent pressure drops, contact qualified staff for assistance to eliminate the possible system leakage.

2.9 DRAINING THE SYSTEM

1. Ensure that the filling cock is closed.
2. Open the draining cock (Parag. 1.20).
3. Open all vent valves.
4. At the end, close the emptying cock.
5. Close all previously opened vent valves.



If fluid containing glycol was added to the system circuit, make sure it is recovered and disposed of in accordance with standard EN 1717.

2.10 EMPTYING THE D.H.W. CIRCUIT

To do this, always close the domestic cold water inlet upstream of the appliance.

Open any domestic hot water tap to discharge the pressure from the circuit.

2.11 STORAGE TANK DRAINING

To drain the storage tank, use the relevant storage tank draining valve (Det. 2, Fig. 25).



Before performing this operation, close the cold water inlet tap (Det. 3, Fig. 32) and open any hot water tap of the domestic hot water system to let air into the storage tank.

2.12 CLEANING THE CASE

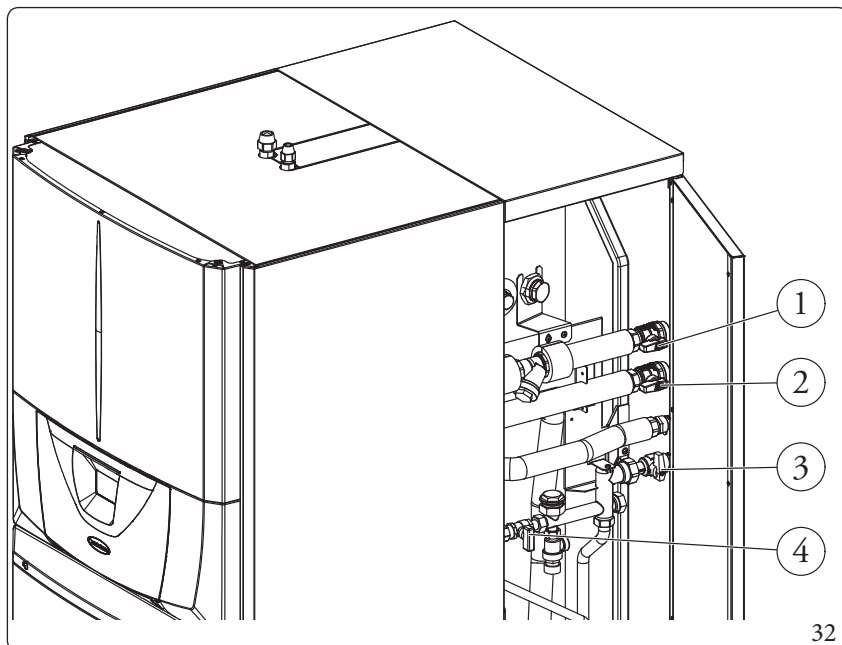
1. Use damp cloths and neutral detergent to clean the indoor unit casing.



Never use abrasive or powder detergents.

2.13 PERMANENT SHUTDOWN

Should the system be shut down permanently, have professional staff carry out the procedures, making sure that the electrical and water supply lines have been previously shut off.



Key (Fig. 32):

- 1 - System return cock
- 2 - System flow cock
- 3 - Cold water inlet cock
- 4 - System filling valve

32

3 INSTRUCTIONS FOR MAINTENANCE AND INITIAL CHECK

3.1 GENERAL RECOMMENDATIONS



Operators who install and service the appliance must wear the personal protective equipment (PPE) required by applicable law.

The list of possible PPE is not complete as they are indicated by the employer.



Before carrying out any maintenance work, make sure that:

- you have disconnected the power to the appliance;
- you have discharged the pressure from the system and domestic hot water circuit.



Supply of spare parts

The device's warranty shall be rendered null and void if unapproved or unsuitable parts are used for maintenance or repairs. These will also compromise the product's compliance, and the said product may no longer be valid and fail to meet the current regulations. In regard to the above, only use original Immergas spare parts when replacing components.



If additional documentation needs to be consulted for extraordinary maintenance, contact the Authorised After-Sales Service.



**The appliance operates with R410A refrigerant gas.
This gas is ODOURLESS.
Pay the utmost attention
Strictly follow the instruction handbook of the outdoor condensing unit before installation and any type of operation on the cooling line.**

3.2 INITIAL CHECK

To commission the package, you must:

- check connection to a 230V-50Hz power mains, correct L-N polarity and the earthing connection;
- make sure the central heating system is filled with water and the indoor unit pressure gauge reads a pressure of 1-1.2 bar;
- make sure the chiller circuit has been filled according to what is described in the outdoor condensing unit instructions booklet;
- check the activation of the main switch located upstream of the indoor unit;
- ensure activation of all adjustment devices;
- ensure production of domestic hot water;
- check the tightness of the hydraulic circuits;



Even if just one single safety check provides a negative result, do not commission the system.

3.3 YEARLY APPLIANCE CHECK AND MAINTENANCE



The following checks and maintenance should be performed once a year to ensure operation, safety and efficiency of the appliance over time.

- Check for water leaks or oxidation from/on the fittings.
- Check, after discharging the system pressure and bringing it to zero (read on indoor unit pressure gauge), that the expansion vessel charge is at 1.0 bar.
- Check that the system static pressure (with system cold and after refilling the system by means of the filling valve) is between 1 and 1.2 bar.
- Visually check that the safety and control devices have not been tampered with and/or short-circuited.
- Check the condition and integrity of the electrical system and in particular:
 - the power supply wires must be housed in the cable glands;
 - there must be no traces of blackening or burning.
- Check correct lighting and operation.
- Check correct operation of control and adjustment devices and in particular:
 - system regulation probes intervention.
- Check chiller line connections.
- Check mesh filter on system return.
- Check the correct flow rate on plate heat exchanger.
- Check the integrity of the internal insulation.



In addition to yearly maintenance, one must also check the energy efficiency of the thermal system, with frequency and procedures that comply with the indications of the technical regulations in force.

3.4 FINNED AIR COIL MAINTENANCE



We recommend regularly inspecting the finned air coils to check the level of fouling.

This depends on the environment where the unit is installed. The level of fouling will be worse in urban and industrial sites, as well as near trees that lose their leaves.

There are two maintenance levels to clean the coils:

- If the air heat exchangers are encrusted, clean them gently with a brush in a vertical direction.
- Turn off the fans before working on the air heat exchangers.
- To perform this type of intervention, stop the unit only if the maintenance considerations allow it.
- Perfectly clean air heat exchangers ensure an optimal operation of the unit. When the air heat exchangers begin to encrust, they must be cleaned. The cleaning frequency depends on the season and location of the unit (ventilated, wooded, dusty, etc.).
- Do not use pressurised water without a large diffuser. Do not use high-pressure cleaners for Cu/Cu and Cu/Al air coils.
- Concentrated and/or rotating water jets are strictly prohibited. Never use fluid with a temperature above 45°C to clean the air heat exchangers.
- Proper and frequent cleaning (approx. every three months) prevents 2/3 of corrosion problems.

Clean the air coil using suitable products.

INSTALLER

USER

MAINTENANCE/TECHNICIAN

TECHNICAL DATA

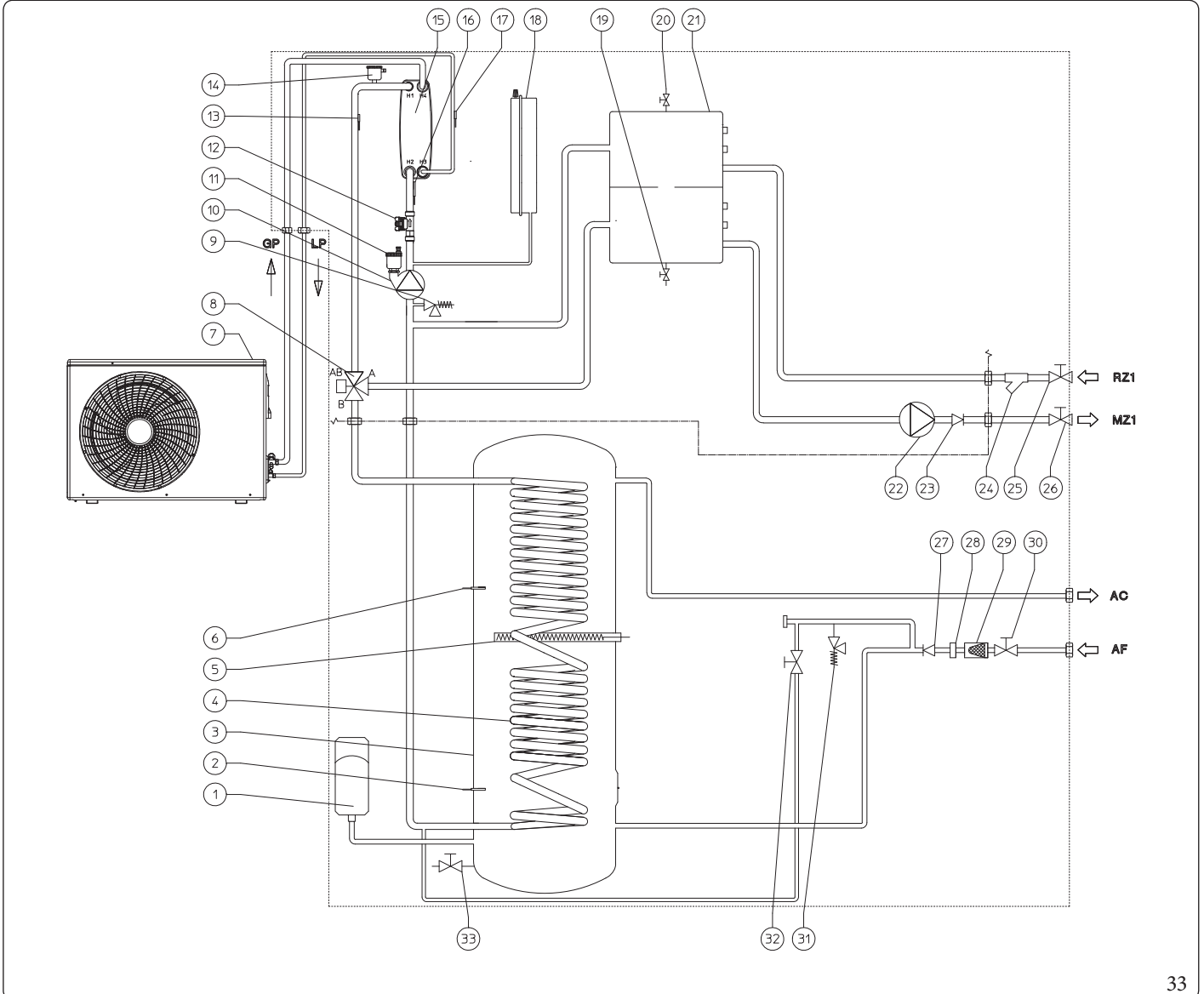
3.5 HYDRAULIC DIAGRAM

INSTALLER

USER

MAINTENANCE TECHNICIAN

TECHNICAL DATA

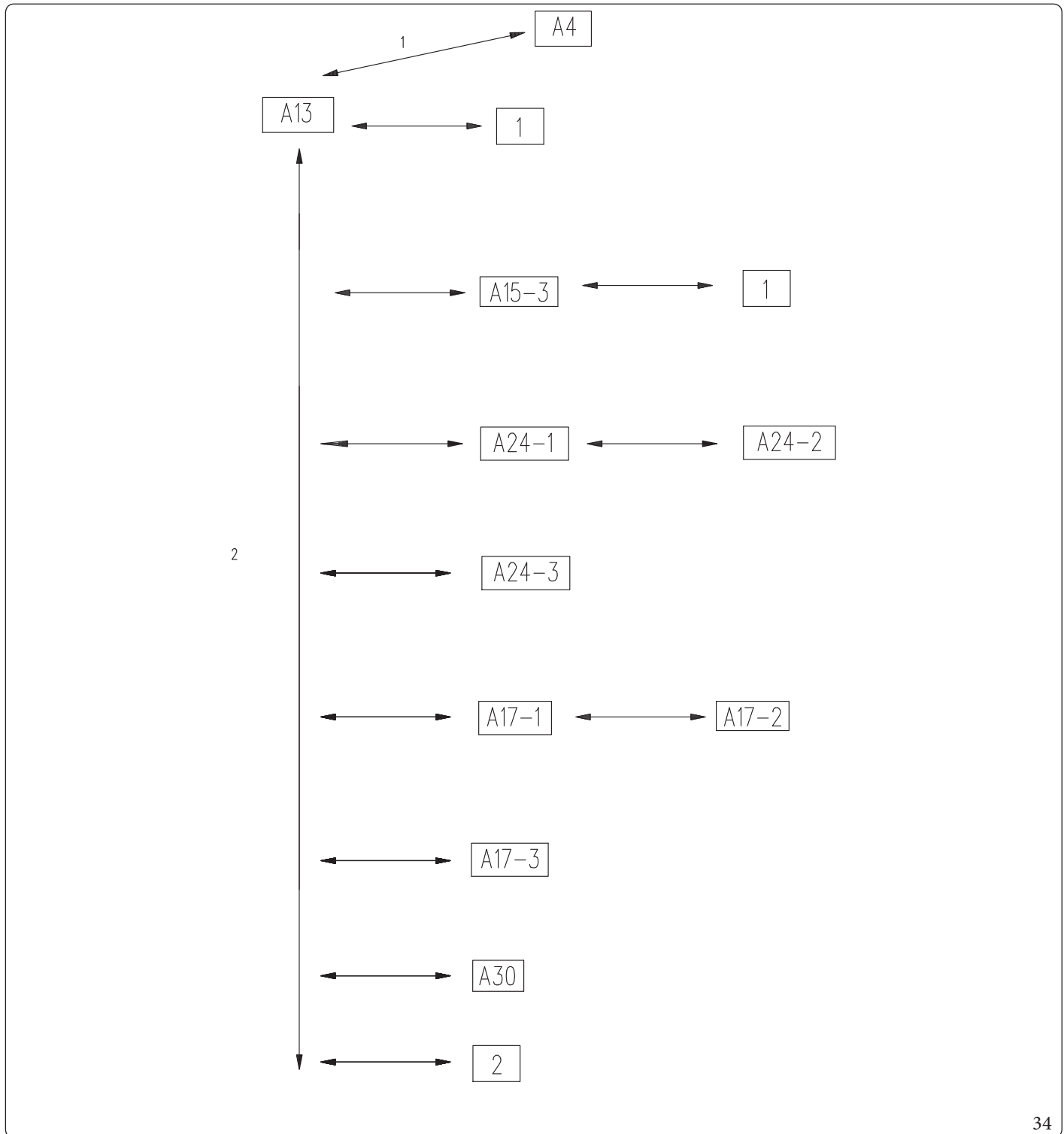


Key (Fig. 33):

- | | |
|--|--|
| 1 - Domestic hot water expansion vessel | 21 - Hydraulic manifold |
| 2 - Storage tank solar probe (optional) | 22 - Direct zone 1 pump/circulator |
| 3 - Stainless steel storage tank | 23 - One-way valve |
| 4 - Stainless steel coil for storage tank | 24 - Filter that can be inspected |
| 5 - DHW electrical resistance | 25 - System return shut-off cock |
| 6 - D.H.W. probe | 26 - System flow shut-off cock |
| 7 - Outdoor condensing unit | 27 - Cold water inlet non-return valve |
| 8 - Central heating / C.H. / cooling 3-way valve (motorised) | 28 - Flow limiter |
| 9 - 3 bar safety valve | 29 - Cold water filter |
| 10 - Heat pump circulator | 30 - Cold water inlet cock |
| 11 - Air vent valve | 31 - 8 bar safety valve |
| 12 - System flow-meter | 32 - System filling valve |
| 13 - Heat pump flow probe | 33 - Storage tank draining valve |
| 14 - Air vent valve | |
| 15 - Plate heat exchanger | RZ1 - Direct zone 1 system return |
| 16 - Heat pump return probe | MZ1 - Direct zone 1 system flow |
| 17 - Liquid phase detection probe | AC - Domestic hot water outlet |
| 18 - System expansion vessel | AF - Domestic cold water inlet |
| 19 - System draining valve | GP - Chiller line - gaseous phase |
| 20 - Hydraulic manifold manual air vent valve | LP - Chiller line - liquid phase |

3.6 WIRING DIAGRAM

Electrical board wiring diagram



Key (Fig. 34):

- A4 - Display board
- A13 - System supervision board
- A15-3 - Zone 3 expansion board (optional)
- A24-1 - Zone 1 remote panel (optional)
- A24-2 - Zone 2 remote panel (optional)
- A24-3 - Zone 3 remote panel (optional)

- A17-1 - Zone 1 temperature/humidity sensor (optional)
- A17-2 - Zone 2 temperature/humidity sensor (optional)
- A17-3 - Zone 3 temperature/humidity sensor (optional)
- A30 - Dominus (optional)
- 1 - Electrical connections terminals
- 2 - UEAUDAX PRO

34

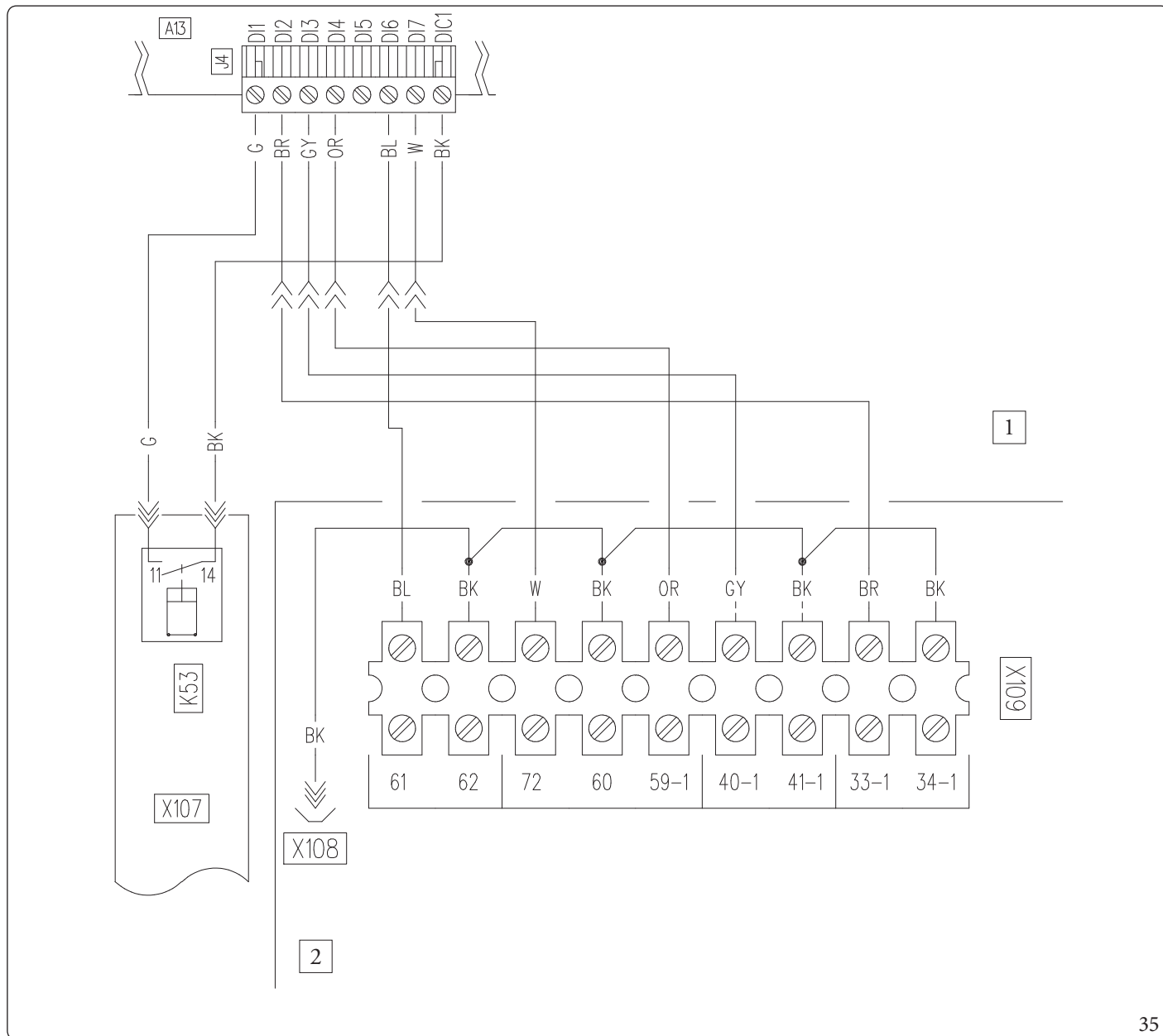
INSTALLER

USER

MAINTENANCE/TECHNICIAN

TECHNICAL DATA

X109 Terminal board connections diagram



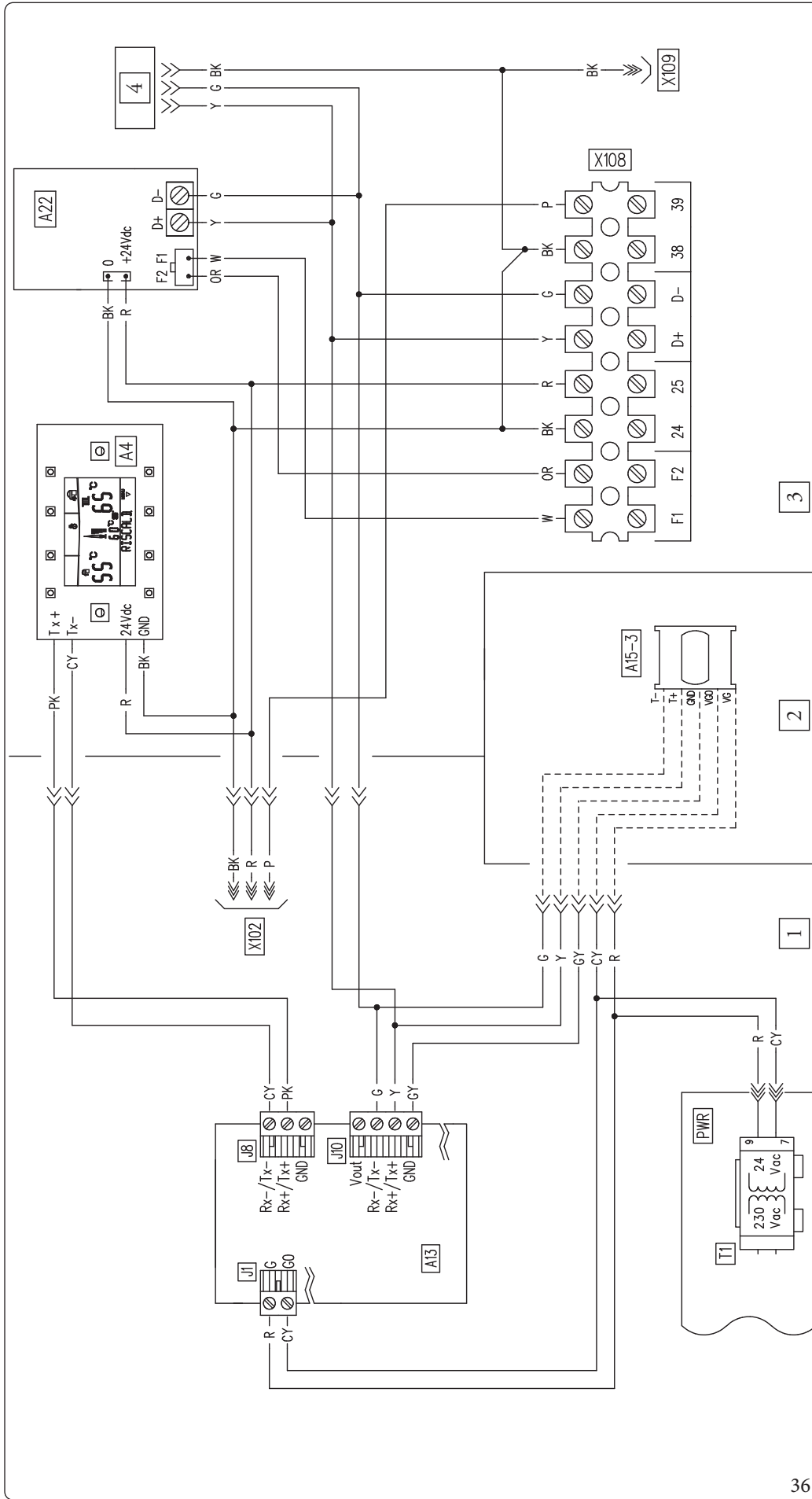
Key (Fig. 35):

- A13 - Supervision board
- K53 - Flow meter Signal conversion relay

- 1 - Main panel
- 2 - Control panel

- BK - Black
- BL - Blue
- W - White
- OR - Orange
- GY - Grey
- BR - Brown
- G - Green

X108 Terminal board connections diagram



36

Key (Fig. 36):

- A4 - Display board
- A13 - Supervision board
- A15-3 - Zone 3 expansion (optional)
- A22 - Condensing unit interface board
- T1 - Transformer

- 1 - Main panel
- 2 - Optional kit panel
- 3 - Control panel
- 4 - Test connector

- BK - Black
- W - White
- OR - Orange
- GY - Grey
- G - Green
- PK - Pink
- R - Red
- P - Purple
- Y - Yellow
- CY - Cyan

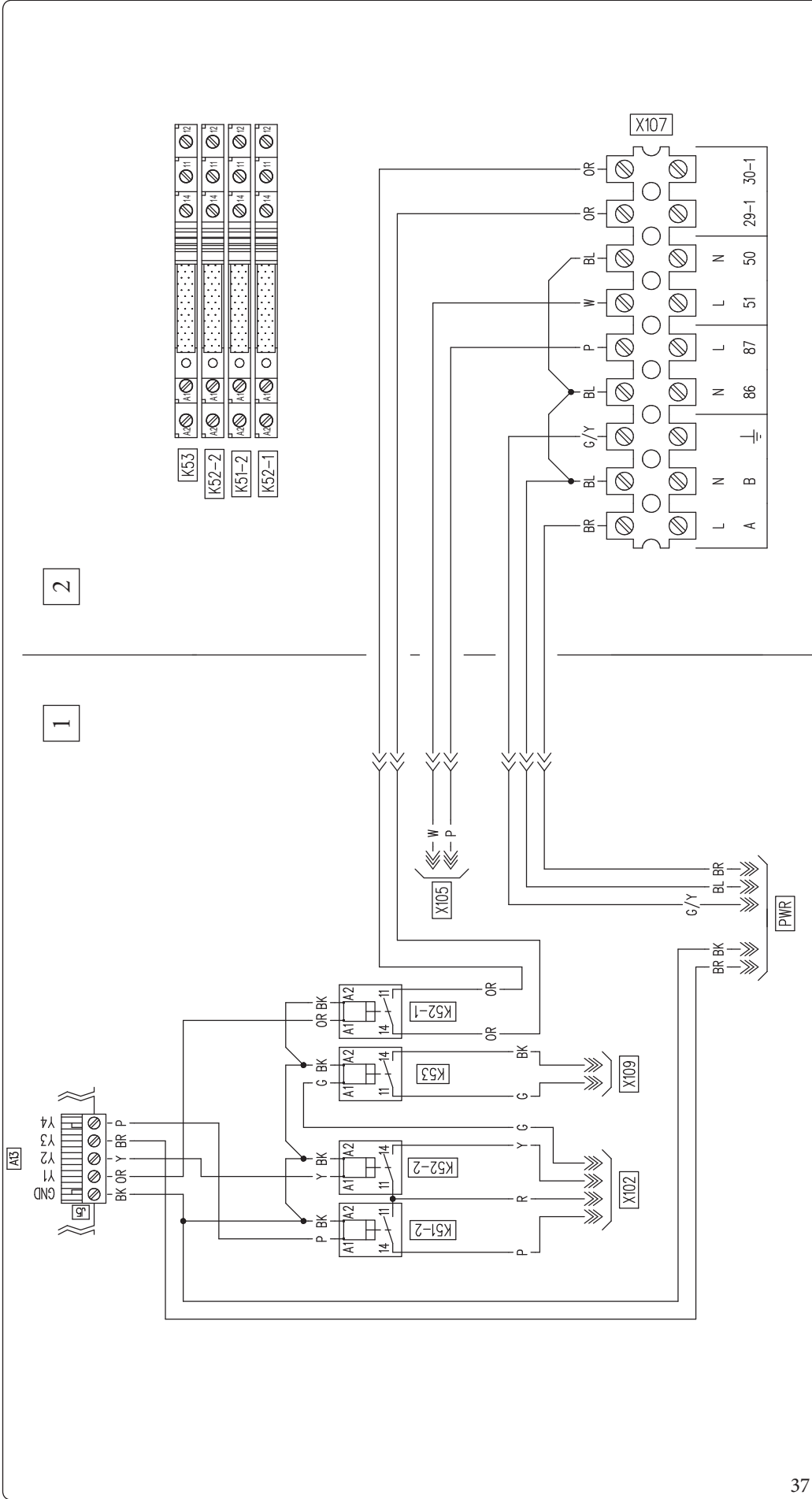
TECHNICAL DATA

MAINTENANCE/TECHNICIAN

USER

INSTALLER

X107 Terminal board connections diagram



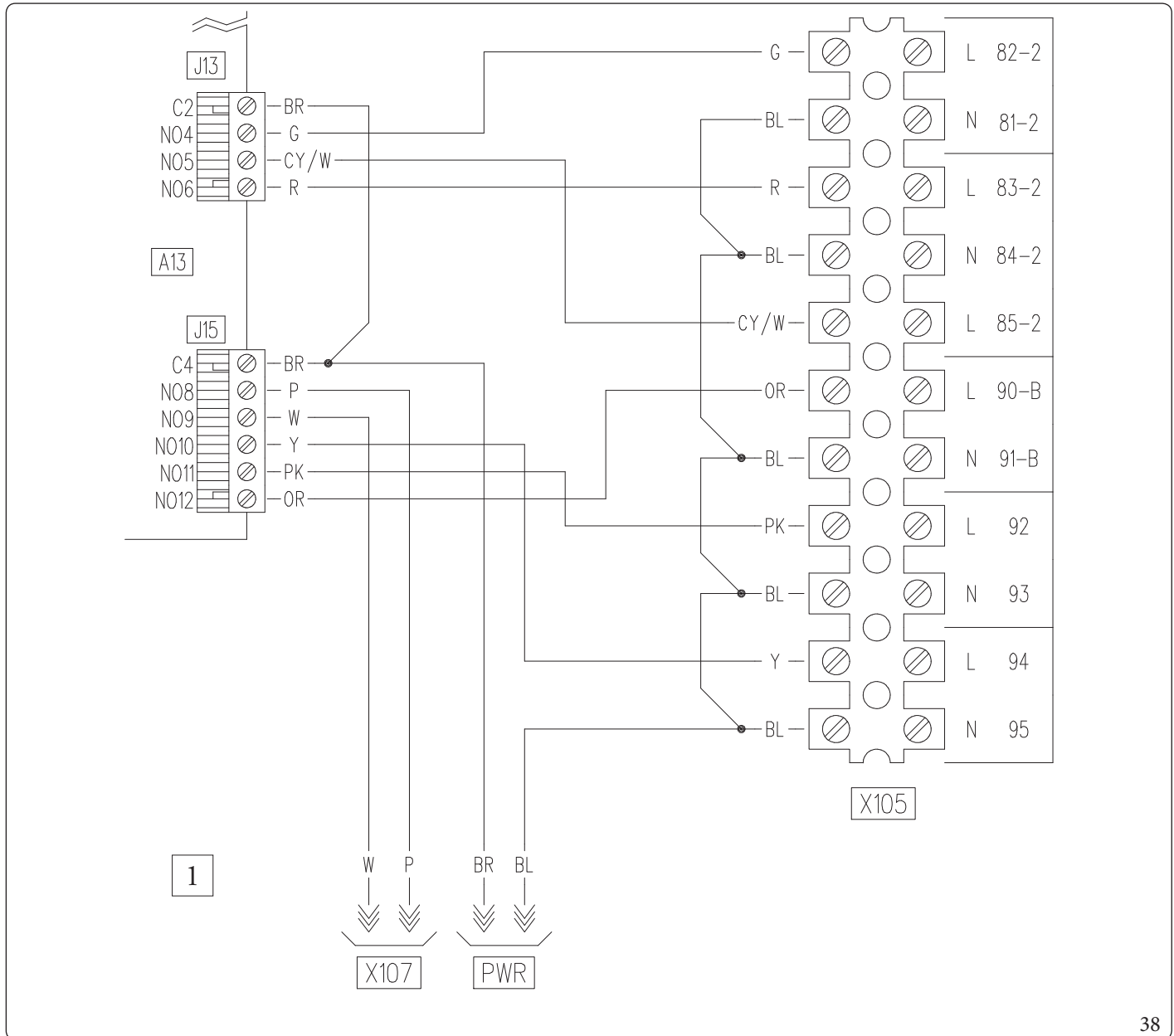
Key (Fig. 37):

- A13 - Supervision board
- K51-2 - Zone 2 air conditioning control relay
- K52-1 - Zone 1 dehumidification control relay
- K52-2 - Zone 2 dehumidification control relay
- K53 - Flow meter Signal conversion relay

- 1 - Main panel
- 2 - Control panel

- BK - Black
- W - White
- OR - Orange
- G - Green
- P - Purple
- Y - Yellow
- R - Red
- BL - Blue
- BR - Brown
- G/Y - Yellow/Green

X105 Terminalboard connections diagram



38

Key (Fig. 38):

A13 - Supervision board

1 - Main panel

W - White

OR - Orange

G - Green

P - Purple

Y - Yellow

R - Red

BL - Blue

BR - Brown

CY/W - Cyan/White

PK - Pink

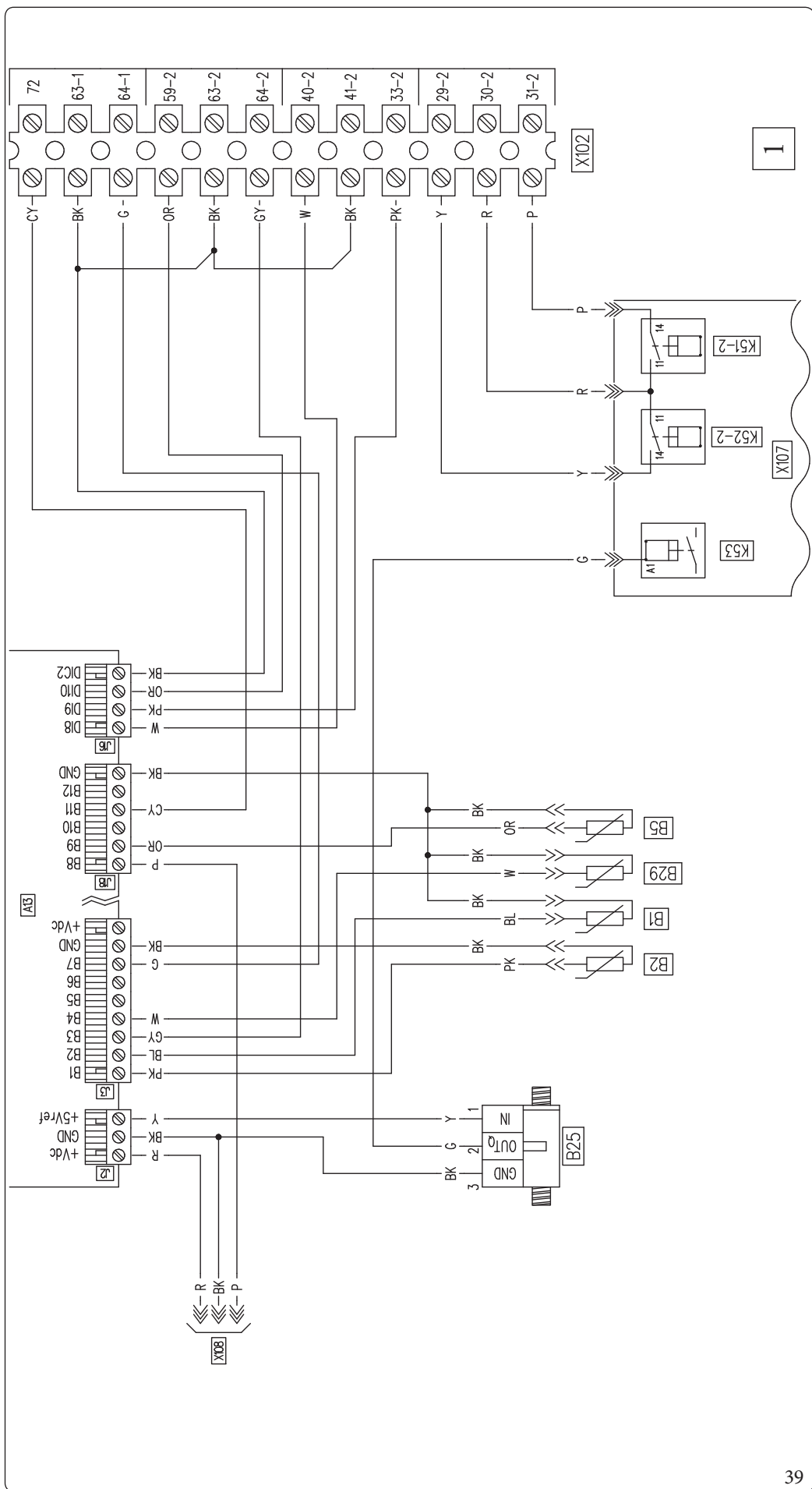
INSTALLER

USER

MAINTENANCE/TECHNICIAN

TECHNICAL DATA

X102 Terminal board connections diagram



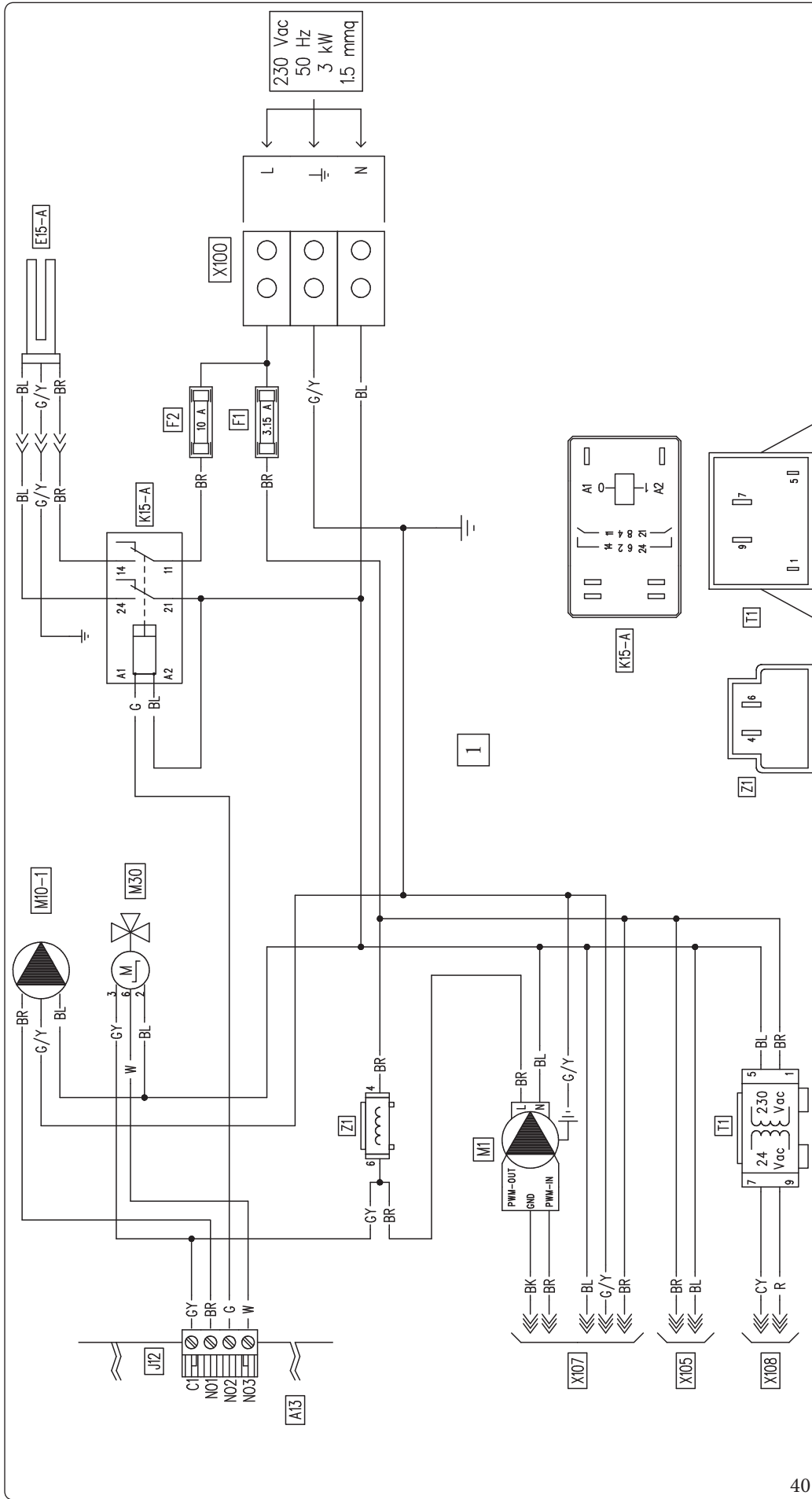
Key (Fig. 39):

- A13 - Supervision board
- B1 - Flow probe
- B2 - D.H.W. probe
- B5 - Return probe
- B25 - System flow-meter
- B29 - Liquid phase probe
- K51-2 - Zone 2 air conditioning control relay
- K52-2 - Zone 2 dehumidification control relay
- K53 - Flow meter Signal conversion relay

I - Main panel

- W - White
- OR - Orange
- G - Green
- P - Purple
- Y - Yellow
- R - Red
- BL - Blue
- BR - Brown
- CY - Cyan
- PK - Pink
- BK - Black
- GY - Grey

Power connection diagram



40

Key (Fig. 40):

- A13 - Supervision board
- E15-A - Domestic hot water integration resistance
- F1 - Control Phase fuse
- F2 - Resistance Phase fuse
- K15-A - DHW integrative resistance relay
- M1-A - Heat pump circulator
- M10-1 - Zone I circulator pump
- M30 - DHW (Domestic hot water) diverter

- T1 - Transformer
- Z1 - Antijamming filter
- I - Main panel
- G - Green
- R - Red
- BL - Blue
- BR - Brown
- CY - Cyan

- BK - Black
- GY - Grey
- W - White
- G/Y - Yellow/Green

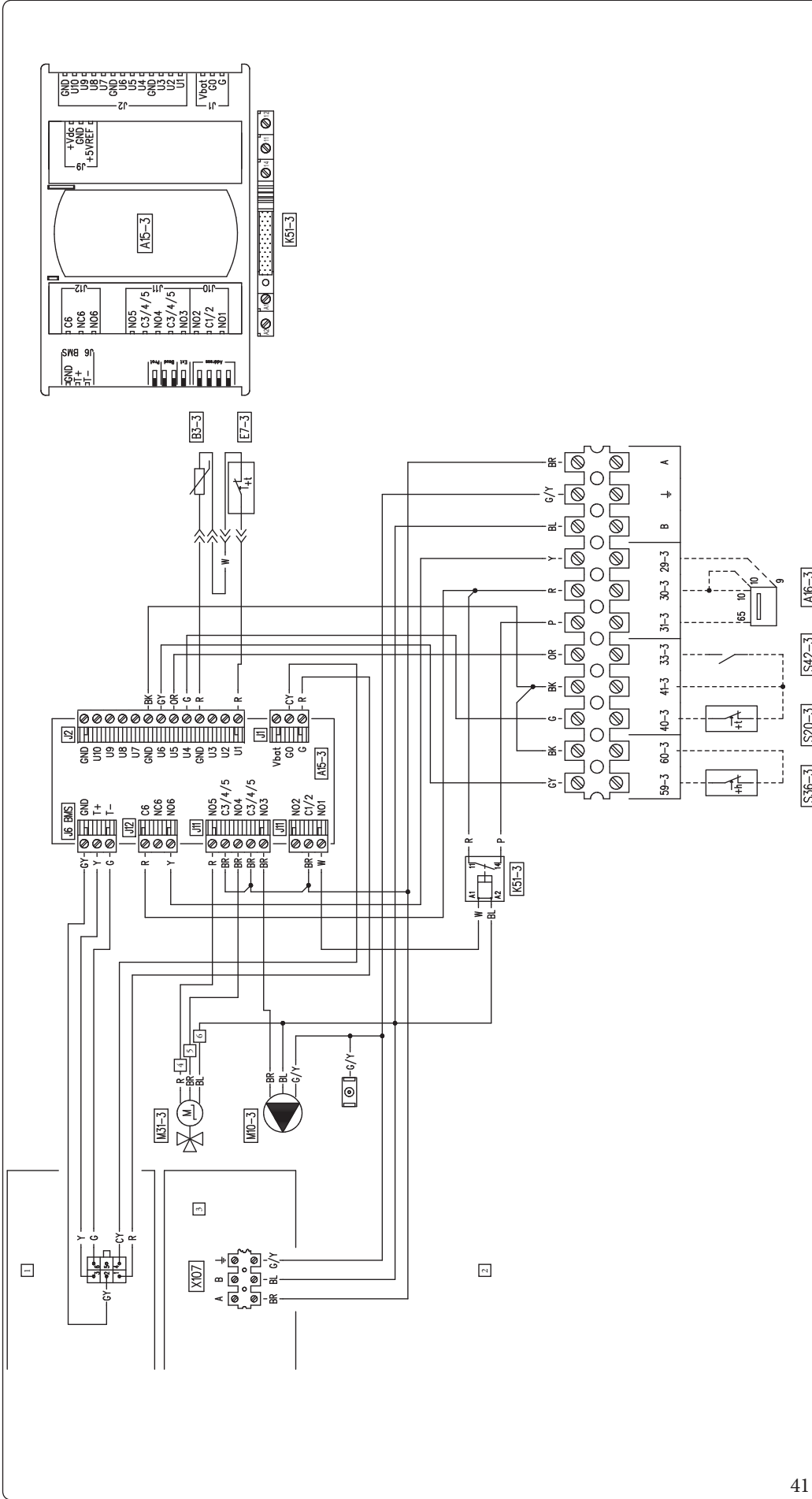
TECHNICAL DATA

MAINTENANCE TECHNICIAN

USER

INSTALLER

Zone 3 connection diagram



41

Key (Fig. 41):

- A15-3 - Expansion zone 3
 - A16-3 - Zone 3 dehumidifier (optional)
 - B3-3 - Zone 3 flow probe
 - E7-3 - Zone 3 Safety thermostat (low temperature)
 - K51-3 - Zone 3 air conditioning control relay
 - M10-3 - Zone 3 circulator pump
 - M31-3 - Zone 3 DHW (Domestic hot water) diverter
 - S20-3 - zone 3 room thermostat (optional)
 - S36-3 - Zone 3 humidistat (optional)
 - S42-3 - Zone 3 dehumidifier alarm (optional)
- | | | | | | |
|----|---|--------------------|-----|---|--------------|
| I | - | Main panel | BR | - | Brown |
| 2 | - | Optional kit panel | CY | - | Cyan |
| 3 | - | Control panel | BK | - | Black |
| 4 | - | Closed | GY | - | Grey |
| 5 | - | Open | W | - | White |
| 6 | - | Common | OR | - | Orange |
| G | - | Green | P | - | Purple |
| R | - | Red | Y | - | Yellow |
| BL | - | Blue | G/Y | - | Yellow/Green |

3.7 SYSTEMFILTER

The appliance has a filter on the system return pipe to keep the system in good operating conditions.

Periodically and when necessary, the filter can be cleaned as described below (Fig. 42).

Close the taps (4), drain the water contents in the indoor unit using the draining valve (Det. 35, Fig. 25).

Open the cap (1) and clean the filter (2).

3.8 TROUBLESHOOTING



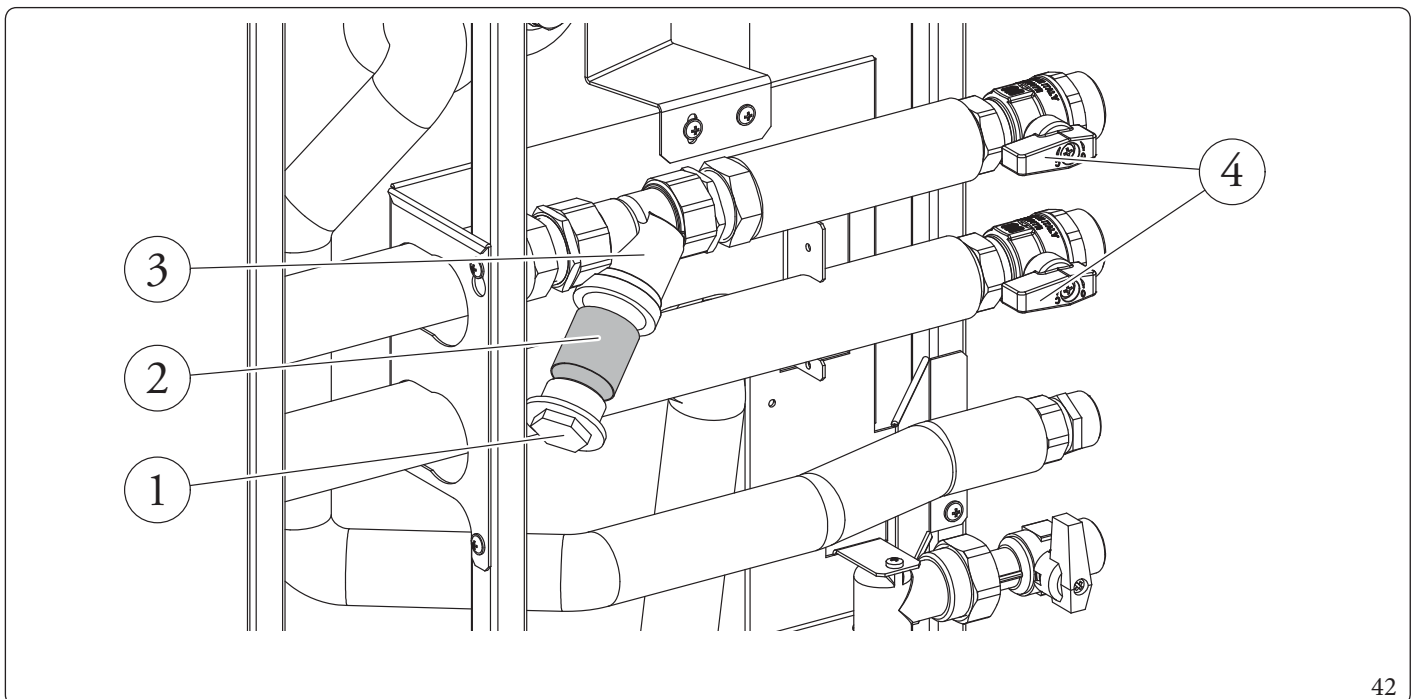
Maintenance operations must be carried out by an authorised company (e.g. Authorised After-Sales Technical Assistance Centre).

Noise due to air in the system.

Check opening of the special air vent valve cap (Part. 12, Fig. 25).

Make sure the system pressure and expansion tank factory-set pressure values are within the set limits.

The factory-set pressure values of the expansion vessel must be 1.0 bar, the value of system pressure must be between 1 and 1.2 bar.



INSTALLER

USER

MAINTENANCE/TECHNICIAN

TECHNICAL DATA

3.9 P.C.B. PROGRAMMING

The water heater is set up for possible programming of the operation parameters. By modifying these parameters as described below, the system can be adapted according to specific needs.

To display the operating parameters in the "DHW settings" menu, it is necessary to enter the submenu "General settings" and select the "Menu access level".

Enter the appropriate access code, exit the menu and press the "DHW (Domestic hot water)" button (Fig. 26).

To save the change of the parameters described below, press the "OK" button (Fig. 26).

Exit the "DHW settings" menu waiting 4 minutes or enter the appropriate access code for the "user menu".

You can exit the "DHW settings" menu by entering the appropriate access code under the "Menu access level" item and selecting the item

Access type/User.

At the end, press "OK" to confirm.

After 4 minutes without making any changes in the "DHW settings" menu, the system automatically goes back to the "User" menu.

DHW settings	
Menu item	Description
Anti-legionella	Manages the anti-legionella function.
Definition	DHW (Domestic hot water) configuration parameters

DHW settings/Antilegionella				
Menu item	Description	Range	Default	Customised value
Antilegionella cycle time	Establishes the time of activation of the anti-legionella function.	00:00 – 23:59	02:00	
Antilegionella cycle day	Establishes the day of activation of the anti-legionella function.	None / Mon - Sun / All	None	
Antilegionella max time	Time after which an alarm is signalled for incomplete anti-legionella cycle.	1 - 48 (hours)	3	

DHW settings/Definition				
Menu item	Description	Range	Default	Customised value
DHW hysteresis	The system activation temperature in DHW (Domestic hot water) is given by the set DHW (Domestic hot water) – DHW (Domestic hot water) hysteresis	3 ÷ 10°C	5	
DHW delivery offset	The DHW (Domestic hot water) flow temperature is given by the DHW (Domestic hot water) set + DHW (Domestic hot water) flow offset	0 - 55°C	10	
Priority	In case of simultaneous system request (heat or cool) and DHW, the heat pump works based on precedence or on the DHW or the system (only enabled with boiler present).	DHW / CH	DHW	
DHW max time	Time after which an alarm is signalled for incomplete DHW (Domestic hot water).	1 - 48 (hours)	5	

To display the operating parameters in the "Zones" menu, it is necessary to enter the submenu "General settings" and select the "Menu access level"

Enter the appropriate access code, exit the menu and press the "Zones" button (Fig. 26).

To save the change of the parameters described below, press the "OK" button (Fig. 26).

Exit the "Zones" waiting 4 minutes or enter the appropriate access code for the "user menu".

You can exit the "Zones" menu by entering the appropriate access code under the "Menu access level" item and selecting the item

Access type/User.

At the end, press "OK" to confirm.

After 4 minutes without making any changes in the "Zones" menu, the system automatically goes back to the "User" menu.

Zones/Zone 1/Definition	
Menu item	Description
Enablings	
Thermoreg. Heating	Central heating thermoregulation setting sub-menu
Thermoreg. Cooling	Cooling thermoregulation setting sub-menu

Zones/Zone 1/Definition/Enablings				
Menu item	Description	Range	Default	Customised value
Mode	Establishes the zone 1 operating mode	-CH -CL -CH+CL	CH+CL	
Enable room panel	Enables the operation of a remote device. - NO = No remote control installed - Panel = Remote zone control - Probe = Temperature and humidity probe	No / Panel / Probe	No	
Room sensor modul.	Enable modulation with room probe	Yes / No	No	
Enable room thermostat	Enable operation of a room thermostat to check the zone	Yes / No	Yes	
Enable dew point	In the presence of a remote device, calculation of the dew point. The calculation is particularly needed in case of radiant panel systems.	Yes / No	Yes	
Enable humidistat	Enables the operation of a humidistat	No / Yes	No	
Enable dehumidifiers	Enables the operation of a dehumidifier	Yes / No	No	
Dehumidifier max temp.	Maximum flow temperature acceptable for the dehumidifier, beyond which it is kept switched off.	15 - 50	25	
Dehumidifier alarm set	Maximum flow set calculated, acceptable by the dehumidifier.	15 - 50	25	
Outdoor sensor modul.	Thermoregulation with external probe	No / Yes	No	

INSTALLER

USER

MAINTENANCE/TECHNICIAN

TECHNICAL DATA

Zones/Zone 1/Definition/Thermoreg. Heating				
Menu item	Description	Range	Default	Customised value
Set delivery water max	Without the external probe it defines the maximum flow temperature that can be set by the user. With the external probe present it defines the maximum flow temperature corresponding to operation with minimum external temperature	20 ÷ 55°C	45	
Set delivery water min	Without the external probe it defines the minimum flow temperature that can be set by the user. With the external probe present it defines the minimum flow temperature corresponding to operation with maximum external temperature	20 ÷ 55°C	25	
External temperat. min	With the external probe present it defines at what minimum external temperature the system must operate at the maximum flow temperature	-25 ÷ +15°C	-5	
External temperat. max	With the external probe present it defines at what maximum external temperature the system must operate at the minimum flow temperature	-5 ÷ +45°C	25	

Zones/Zone 1/Definition/Thermoreg. Cooling				
Menu item	Description	Range	Default	Customised value
Set delivery water max	Without the external probe it defines the maximum flow that can be set by the user. With the external probe present it defines the maximum flow temperature corresponding to operation with minimum external temperature	5 ÷ 25°C	20	
Set delivery water min	Without the external probe it defines the minimum flow that can be set by the user. With the external probe present it defines the minimum flow temperature corresponding to operation with maximum external temperature	5 ÷ 25°C	18	
External temperat. min	With the external probe present, it defines at what maximum external temperature the system must operate at the minimum flow temperature	20 ÷ 45°C	25	
External temperat. max	With the external probe present, it defines at what minimum external temperature the system must operate at the maximum flow temperature	20 ÷ 45°C	35	

Zones/Zone 2 (*)/Definition	
Menu item	Description
Enablings	
Thermoreg. Heating	Central heating thermoregulation setting sub-menu
Thermoreg. Cooling	Cooling thermoregulation setting sub-menu

Zones/Zone 2 (*)/Definition/Enablings				
Menu item	Description	Range	Default	Customised value
Mode	Establishes the zone 2 operating mode	-CH -CL -CH+CL	CH+CL	
Enable room panel	Enables the operation of a remote device. - NO = No remote control installed - Panel = Remote zone control - Probe = Temperature and humidity probe	No / Panel / Probe	No	
Room sensor modul.	Enable modulation with room probe	Yes / No	No	
Enable room thermostat	Enable operation of a room thermostat to check the zone	Yes / No	Yes	
Enable dew point	In the presence of a remote device, calculation of the dew point. The calculation is particularly needed in case of radiant panel systems.	Yes / No	Yes	
Enable humidistat	Enables the operation of a humidistat	No / Yes	No	
Enable dehumidifiers	Enables the operation of a dehumidifier	Yes / No	No	
Dehumidifier max temp.	Maximum flow temperature acceptable for the dehumidifier, beyond which it is kept switched off.	15 - 50	25	
Dehumidifier alarm set	Maximum flow set calculated, acceptable by the dehumidifier.	15 - 50	25	
Outdoor sensor modul.	Thermoregulation with external probe	No / Yes	No	

(*) if present.

INSTALLER

USER

MAINTENANCE TECHNICIAN

TECHNICAL DATA

Zones/Zone 2 (*)/Definition/**Thermoreg. Heating**

Menu item	Description	Range	Default	Customised value
Set delivery water max	Without the external probe it defines the maximum flow temperature that can be set by the user. With the external probe present it defines the maximum flow temperature corresponding to operation with minimum external temperature	20 ÷ 55°C	45	
Set delivery water min	Without the external probe it defines the minimum flow temperature that can be set by the user. With the external probe present it defines the minimum flow temperature corresponding to operation with maximum external temperature	20 ÷ 55°C	25	
External temperat. min	With the external probe present it defines at what minimum external temperature the system must operate at the maximum flow temperature	-25 ÷ +15°C	-5	
External temperat. max	With the external probe present it defines at what maximum external temperature the system must operate at the minimum flow temperature	-5 ÷ +45°C	25	

Zones/Zone 2 (*)/Definition/**Thermoreg. Cooling**

Menu item	Description	Range	Default	Customised value
Set delivery water max	Without the external probe it defines the maximum flow that can be set by the user. With the external probe present it defines the maximum flow temperature corresponding to operation with minimum external temperature	5 ÷ 25°C	20	
Set delivery water min	Without the external probe it defines the minimum flow that can be set by the user. With the external probe present it defines the minimum flow temperature corresponding to operation with maximum external temperature	5 ÷ 25°C	18	
External temperat. min	With the external probe present, it defines at what maximum external temperature the system must operate at the minimum flow temperature	20 ÷ 45°C	25	
External temperat. max	With the external probe present, it defines at what minimum external temperature the system must operate at the maximum flow temperature	20 ÷ 45°C	35	

(*) if present.

Zones/Zone 3 (*)/Definition	
Menu item	Description
Enablings	
Thermoreg. Heating	Central heating thermoregulation setting sub-menu
Thermoreg. Cooling	Cooling thermoregulation setting sub-menu

Zones/Zone 3 (*)/Definition/Enablings				
Menu item	Description	Range	Default	Customised value
Mode	Establishes the zone 3 operating mode	-CH -CL -CH+CL	CH+CL	
Enable room panel	Enables the operation of a remote device. - NO = No remote control installed - Panel = Remote zone control - Probe = Temperature and humidity probe	No / Panel / Probe	No	
Room sensor modul.	Enable modulation with room probe	Yes / No	No	
Enable room thermostat	Enable operation of a room thermostat to check the zone	Yes / No	Yes	
Enable dew point	In the presence of a remote device, calculation of the dew point. The calculation is particularly needed in case of radiant panel systems.	Yes / No	Yes	
Enable humidistat	Enables the operation of a humidistat	No / Yes	No	
Enable dehumidifiers	Enables the operation of a dehumidifier	Yes / No	No	
Dehumidifier max temp.	Maximum flow temperature acceptable for the dehumidifier, beyond which it is kept switched off.	15 - 50	25	
Dehumidifier alarm set	Maximum flow set calculated, acceptable by the dehumidifier.	15 - 50	25	
Outdoor sensor modul.	Thermoregulation with external probe	No / Yes	No	

(*) if present.

INSTALLER

USER

MAINTENANCE TECHNICIAN

TECHNICAL DATA

Zones/Zone 3 (*)/Definition/**Thermoreg. Heating**

Menu item	Description	Range	Default	Customised value
Set delivery water max	Without the external probe it defines the maximum flow temperature that can be set by the user. With the external probe present it defines the maximum flow temperature corresponding to operation with minimum external temperature	20 ÷ 55°C	45	
Set delivery water min	Without the external probe it defines the minimum flow temperature that can be set by the user. With the external probe present it defines the minimum flow temperature corresponding to operation with maximum external temperature	20 ÷ 55°C	25	
External temperat. min	With the external probe present it defines at what minimum external temperature the system must operate at the maximum flow temperature	-25 ÷ +15°C	-5	
External temperat. max	With the external probe present it defines at what maximum external temperature the system must operate at the minimum flow temperature	-5 ÷ +45°C	25	

Zones/Zone 3 (*)/Definition/**Thermoreg. Cooling**

Menu item	Description	Range	Default	Customised value
Set delivery water max	Without the external probe it defines the maximum flow that can be set by the user. With the external probe present it defines the maximum flow temperature corresponding to operation with minimum external temperature	5 ÷ 25°C	20	
Set delivery water min	Without the external probe it defines the minimum flow that can be set by the user. With the external probe present it defines the minimum flow temperature corresponding to operation with maximum external temperature	5 ÷ 25°C	18	
External temperat. min	With the external probe present, it defines at what maximum external temperature the system must operate at the minimum flow temperature	20 ÷ 45°C	25	
External temperat. max	With the external probe present, it defines at what minimum external temperature the system must operate at the maximum flow temperature	20 ÷ 45°C	35	

(*) if present.

To access the “assistance menu”, press the “MENU” button (Fig. 26). Access the submenu "General settings" and select "Menu access level".

Insert the relative access code and customise the parameters described below according to your requirements.

To save the change of the parameters described below, press the “OK” button (Fig. 26).

Exit the “assistance menu” waiting 4 minutes or enter the appropriate access code for the “user menu”.

You can exit the assistance menu by entering the appropriate access code under the "Menu access level" item and selecting the item

Access type/User.

At the end, press “OK” to confirm.

After 4 minutes without making any changes in the “Assistance” menu, the system automatically goes back to the “User” menu.

Menu/General settings		
Menu item	Description	Range
Factory settings	Allows to reset all parameters with factory values.	Yes/No

Menu/Service	
Menu item	Description
Plant definition	Sub-menu to define the devices connected to the system
Heat pump	Heat pump operating parameters sub-menu
Integration	System integration setting sub-menu
Manual operations	Submenu for load operation check
Special parameters	Parameters for various uses

Menu/Service/Plant definition				
Menu item	Description	Range	Default	Customised value
Zones number	Defines the number of zones present	1-3	1	
Main zone	Defines the main zone of the system in which the remote panel will be used	1 - 2	1	
External probe	This defines the type of external probe enabled. IU=indoor unit, OU = outdoor condensing unit.	OU/IU.	OU	
External probe correct.	Correction of the external probe value	-9 +9	0	
Photovoltaic function	Enables the operation combined with a photovoltaic system.	Yes/No	No	
Plant supervision	Enabling connection to Dominus or System supervisor	NO/Domin/BMS	No	
Activation time	Waiting time before activation of the system setpoint correction	1 - 120	20	
Increasing time	Time interval for the increase or decrease of 1°C of correction of the system setpoint	1 - 20	5	
Heating max correction	Max correction during central heating mode	0 - 10	0	
Cooling max correction	Max correction during cooling mode.	-10 - 0	0	

Menu/Service/Heat pump	
Menu item	Description
Powers	
Timers	
Pump	

Menu/Service/Heat pump/Powers				
Menu item	Description	Range	Default	Customised value
HP model	Setting of the connected outdoor condensing unit. Do not use the item No.	12	No / 4 / 6 / 9 / 12 / 14 / 16	
Disable HP	Enable the Disabling function of the heat pump. By selecting "reduc" it is possible to reduce the heat pump performance to the power set in the parameter "power in reduced"	No / Si / Reduct.	No	
Reduced power	Power percentage in reduction mode (Only active with Audax heat pump / Circulator models).	50 - 100 %	100 %	

Menu/Service/Heat pump/Timers				
Menu item	Description	Range	Default	Customised value
Anticycles timer	Not used	0-840 s	180	
Ramp timer	Not used	0-840 s	0	
RT request delay	The generator request is made after the set delay	0-600 s	0	
Waiting time priority	Not used	0-100 s	0	

Menu/Service/Heat pump/Pump				
Menu item	Description	Range	Default	Customised value
Pump mode	Not used	Max Sp. / Modul.	Max Sp.	
Pumpspeed min	Not used	20 - 100 %	100	
Pumpspeed max	Heat pump circulator speed	20 - 100 %	100	
Pump delta T	Not used	2 - 10	5	
Automatic venting	Not used	No/Yes	No	

Menu/Service/Integration

Menu item	Description	Range	Default	Customised value
Integration min temp.	Temperature threshold below which integration is activated at the heat pump	-25 ÷ +35 °C	-15	
DHW integration mode	Mode of intervention of the DHW (Domestic hot water) integration and resistance	Contemp/ Altern.	Altern.	
CH integration mode	Mode of intervention of the central heating / C.H. integration and resistance	Contemp/ Altern.	Altern.	
Concomitant mode	Enabling of conjunction function	No/Yes	Yes	
DHW integration enable	Enabling of generators for the DHW Mode	0 = HP 1 = HP+SH 2 = SH	HP	
CH integration enable	Enabling of generators for the Central heating / C.H. DHW Mode.	0 = HP 1 = HP+SH 2 = SH	HP	
CH waiting time	Waiting time to reach the setting set before activation of the integration in room central heating / C.H.	0 ÷ 540'	45'	
DHW waiting time	Waiting time to reach the setting set before activation of the integration in the production of domestic hot water	0 ÷ 540'	30'	
DHW priority time	It is the maximum time of operation in DHW in case of simultaneous request.	0 ÷ 540'	60'	
CH priority time	It is the maximum time of operation in central heating in case of simultaneous request.	0 ÷ 540'	120'	
Integration band	Setting of the activation band equal to the activation delay time will activate the additional heater.	0 - 20 °C	3	
Reset HP counter	Reset the number of operating hours of the heat pump	Yes / No	No	
Reset plant integ. counter	Reset hours of operation of the central heating / C.H. integration	Yes / No	No	
Reset DHW integ. counter	Reset hours of operation of the DHW (Domestic hot water) integration	Yes / No	No	

INSTALLER

USER

MAINTENANCE/TECHNICIAN

TECHNICAL DATA

Menu/Service/Manual operations (*)				
Menu item	Description	Range	Default	Customised value
Three-way valv.CH/DHW	Manual activation of the DHW (Domestic hot water) 3-way	Yes/No	No	
Enable CH electric heater	Manual activation of the system resistance	Yes/No	No	
Enable DHW el. heater 1	Manual activation of the DHW (Domestic hot water) resistance 1	Yes/No	No	
Zone 1 pump	Manual activation of zone 1 pump	Yes/No	No	
Zone 1 dehumidifier	Manual activation of the dehumidifier on zone 1	Yes/No	No	
Zone 1 air conditioning	Manual activation of air conditioner on zone 1	Yes/No	No	
Zone 2 pump	Manual activation of zone 2 pump	Yes/No	No	
Zone 2 dehumidifier	Manual activation of the dehumidifier on zone 2	Yes/No	No	
HP flowmeter	Shows the flow rate read on the flowmeter	0-4000l/h		
Pump speed		0-100%	0%	
Zone 2 mixing valve	Manual activation of the mixing valve on zone 2	- Stop - Close - Open	Stop	
Zone 2 air conditioning	Manual activation of air conditioner on zone 2	Yes/No	No	
Zone 3 mixing valve	Manual activation of the mixing valve on zone 3	- Stop - Close - Open	Stop	
Zone 3 pump	Manual activation of zone 3 pump	Yes/No	No	
Zone 3 dehumidifier	Manual activation of the dehumidifier on zone 3	Yes/No	No	
Zone 3 air conditioning	Manual ignition of air conditioner on zone 3	Yes/No	No	
Three-way Cool/Heat	Manual activation of the summer/winter three-way valve (M52)	Yes/No	No	
Enable DHW el. heater 1	Manual activation of the DHW (Domestic hot water) resistance 2	Yes/No	No	

(*) If inside the "Manual operations" menu, the 4 minute timeout is not considered to exit the "Service" menu.

Menu/Service/Special parameters				
Menu item	Description	Range	Default	Customised value
Parameter 1	Dehumidifier control (0 = zone 2, 1 = zone 1)	0-1	0	
Parameter 2	Zone 2 safety thermostat	20-80	45	
Parameter 3	Zone 3 safety thermostat	20-80	45	
Parameter 4	DHW recirculation enabling (0 = off; 1 = on)	0-1	0	
Parameter 5	Integration multiplier	1-100	30	
Parameter 6	Do not use	0-100	0	
Parameter 7	Do not use	0-100	0	
Parameter 8	Do not use	0-100	0	
Parameter 9	Do not use	0-100	0	
Parameter 10	Do not use	0-100	0	

3.10 FIRST IGNITION PARAMETER SETTING

During the first activation of the appliance, it is necessary to customise the following parameters, which concern the generator operation, the type of outdoor condensing unit and the type of system connected to the appliance.

In the menu

Service/Heat pump/Powers

it is necessary to set the Pdc Model, which corresponds to the outdoor condensing unit power.

In the menu

Service/Heat pump/Timers

the generator ignition delay can be customised by modifying the parameter "Anti-cycle time" and, in the presence of system delayed opening systems, it is possible to modify the parameter "TA delay request time".

In the menu

Service/Heat pump/Pump

it is possible to modify the heat pump circulator speed by modifying the parameter "Pump speed max".

It is necessary to adjust the pump speed according to the appliance power, to improve the operating efficiency of the machine.

It is suggested to set the following values:

- Magis Hercules Pro 12/12T: Speed = 65%
- Magis Hercules Pro 14/14T: Speed = 75%
- Magis Hercules Pro 16/16T: Speed = 100%

It is also necessary to adjust the speed of the zone pumps according to the type of system present.

This operation must be carried out directly on the relative zone pump (see Par. 1.17).

The heat pump is equipped with a standard DHW (Domestic hot water) electrical resistance to which it is possible to add two additional DHW (Domestic hot water) electrical resistances (optional). The enabling of all electrical resistances is implemented through a single parameter.

The standard supplied electrical resistance is disabled as a precaution (it is necessary for the resistance to be activated only in the presence of Domestic hot water / D.H.W. in the storage tank).

Therefore, it is necessary to enable the electrical resistance by modifying the following parameters.

Modifying the parameter

Integration/DHW integration enable

it is decided whether to activate only the heat pump or only the resistance or both to perform the DHW Mode.

Modifying the parameter

Integration/DHW integration mode

it is decided whether to activate the heat pump and the resistance in an alternate or simultaneous manner.

Modifying the parameter

Integration/DHW waiting time

it is decided how long to activate the heat pump and the electrical resistance or both together.

When the outdoor temp is below

Integration/Integration min temp.

the electrical resistance activates automatically.

In case of simultaneous DHW (Domestic hot water) and system requests, the system alternates the two operating modes according to the times set in the parameters:

Integration/DHW priority time

Integration/CH priority time

The first served operating mode, in case of contemporaneity, is decided with the parameter:

Definition/Priority.

The DHW Mode can have a maximum duration, settable with the parameter

Definition/DHW max time

beyond which the alarm is signalled.

The heat pump can manage up to 3 distribution pumps.

To activate the correct number of distribution pumps, modify the parameter:

Plant definition/Zones number.

It is possible to customise the operation of each individual zone.

Each zone can be enabled for a single operating mode, modifying the parameter

Definition/Enablings/Mode.

The system request for each zone can be made from a room thermostat, which must be enabled in the menu

Definition/Enablings/Enable room thermostat

In case a remote device is used to control the requests, it is necessary to modify the parameter

Definition/Enablings/Enable room panel.

If a dehumidifier is present, it is necessary to modify the parameter

Definition/Enablings/Enable dehumidifiers.

It can happen with the dehumidifier that there are problems in receiving a too high flow temp. For this reason, dehumidifier ignition can be prevented until the flow water drops below the level

Definition/Enablings/Dehumidifier max temp.

Furthermore, if the setpoint calculated for the dehumidification is too high to carry out a request, the alarm is signalled and the dehumidifier is stopped. This value can be edited through the parameter:

Definition/Enablings/Dehumidifier alarm set

In case a humidistat is used to control the dehumidification requests, it is necessary to modify the parameter

Definition/Enablings/Enable humidistat.

In the presence of a floor system, it is necessary to avoid the formation of condensate in the floor by enabling the use of the dew temperature calculation:

Definition/Enablings/Enable dew point.

It is possible to enable the flow temperature control via the thermostatic regulation with external probe, by modifying the parameter

Definition/Enablings/Outdoor sensor modul.

To improve system efficiency in certain types of systems, it is possible to enable the flow temperature control by modulating with room probe, by modifying the parameter

Definition/Enablings/Room sensor modul.

The system flow temp drops (it rises in case of cooling) when the room temp. approaches the room setpoint. Modulation with room probe can only be enabled in the presence of a zone remote device.

3.11 DHW (DOMESTIC HOT WATER) BOOST FUNCTION

In order to activate the DHW (Domestic hot water) BOOST function, it is necessary to enable the DHW (Domestic hot water) electrical resistance by changing the parameter:

Integration/DHW integration enable.

3.12 ANTI-LEGIONELLA FUNCTION

The indoor unit is equipped with a function to perform a thermal shock on the storage tank.

This function brings the generator temperature to the maximum allowed with DHW integrative resistance enabled.

The function is enabled via the menu

DHW settings/Antilegionella.

The function is activated at the time set via the menu

Antilegionella/Antilegionella cycle time

on the week day set on the menu

Antilegionella/Antilegionella cycle day

it is possible to activate the all day function through the “Anti-legionella” menu.

The maximum allowed duration of the function corresponds to the value set in the parameter:

Antilegionella/Antilegionella max time;

if the function is not completed within the maximum allowed time, an alarm will be triggered.



It is possible to activate the function only with DHW el. resistance and eventually a thermostatic valve must be installed at the DHW outlet to prevent burns.

3.13 DHW RECIRCULATION FUNCTION

In order to activate the DHW (Domestic hot water) recirculation function, it is necessary to enable it by changing the parameter:

Special parameters/Parameter 4.

3.14 PUMP ANTI-BLOCK FUNCTION

The hydronic module has a function that starts up the pump at least once every 24 hours for 30 seconds in order to reduce the risk of the pump locking up due to prolonged inactivity.

3.15 THREE-WAY ANTI-BLOCK SYSTEM

The hydronic module has a function that activates the motorised 3-way unit 24 hours after the last time it operated by running a complete cycle in order to reduce the risk of the 3-way blocking due to prolonged inactivity.

3.16 SYSTEM SETPOINT CORRECTION FUNCTION

In the presence of hydraulic disconnections on the system downstream of the appliance distribution circuit, it is possible to activate a function that makes it possible to correct the request setpoint to the generator to approach the set zone setpoint as much as possible.

The corrections can be made either in central heating / C.H. or in cooling mode.

Activation takes place by setting the parameters

Plant definition/Heating max correction

Plant definition/Cooling max correction

with a value $> 0^{\circ}\text{C}$.

Following a demand, the correction begins after a time equal to

Plant definition/Activation time

and continue by 1°C each

Plant definition/Increasing time

minutes.

3.17 PHOTOVOLTAIC FUNCTION

Should the photovoltaic contact (contact "S 39" Fig. 6) be closed, the accumulated DHW is heated to a temperature of 55°C via heat pump operation.

In case of simultaneous DHW (Domestic hot water) and system request, the system will decide which service to satisfy, in order to ensure the best comfort.

3.18 INTEGRATION WITH THE SYSTEM ELECTRICAL RESISTANCES

The heat pump can be added with system electrical resistances (optional) to have an alternative source of energy available to use in the central heating mode / C.H. mode.

The enabling of all electrical resistances is implemented through a single parameter.

Modifying the parameter

Integration/CH integration enable

it is decided whether to activate only the heat pump or only the resistance or both to perform the Central heating mode.

Modifying the parameter

Integration/CH integration mode

it is decided whether to activate the heat pump and the resistance in an alternate or simultaneous manner.

Modifying the parameter

Integration/CH waiting time

it is decided how long to activate the heat pump and the electrical resistance or both together.

When the outdoor temp is below

Integration/Integration min temp.

the electrical resistance activates automatically.

In case of simultaneous DHW (Domestic hot water) and system requests, the system alternates the two operating modes according to the times set in the parameters:

Integration/DHW priority time

Integration/CH priority time

The first served operating mode, in case of contemporaneity, is decided with the parameter:

Definition/Priority.

3.19 ZONE 2/3 SAFETY THERMOSTAT FUNCTION

In case of zone 2 or zone 3 installation, a control on the zone flow temperature is enabled which prevents the production of water above a certain temperature.

It is possible to modify these limits through the parameters

Special parameters/Parameter 2

Special parameters/Parameter 3.

3.20 CONJUNCTION MODE

In case of simultaneous DHW (Domestic hot water) and system request, the system decides which to service to perform on the basis of an alternating logic determined by the system.

It is possible to modify this logic, so that the system simultaneously deals with both services, using the generators available.

Operation in this mode can be activated by modifying the parameter:

Plant definition/Concomitant mode.

3.21 HEAT PUMP DISABLING FUNCTION

With a closed contact (contact “S 43” Fig. 6) the heat pump operation is inhibited. No request will be met, excluding the safety functions.

To enable this function, it is necessary to modify the parameter:

Heat pump/Powers/Disable HP = Yes

3.22 DIVERTER VALVE MANAGEMENT (SUMMER / WINTER).

The unit electronics has a 230V outlet to manage the summer / winter diverter valves.

The voltage output is active when the appliance is in SUMMER mode with Cooling.

3.23 EXTERNAL PROBE SETTING

To activate the optional external probe, it is necessary to modify the parameter:

Plant definition/External probe.

If the temperature probe is particular far from the indoor unit, it is possible to correct its value by modifying

Plant definition/External probe correct.

3.24 MANUAL DRIVES

In the menu

Service/Manual operations

it is possible to manage all the main appliance loads in manual mode.

These parameters must be used in case of system troubleshooting.

To correctly activate the functions, it is necessary to set the system in “stand-by”.

3.25 OUTDOOR CONDENSING UNIT TEST MODE FUNCTION

When test mode is used (see Outdoor condensing unit instruction booklet), the indoor unit must be set in a mode other than “Stand-by”.

The alarm 183 is triggered during the test, meaning “Test mode” in progress.

3.26 OUTDOOR UNIT PUMP DOWN FUNCTION

If the pump down function is used (see outdoor condensing unit instruction booklet) the indoor unit must be set in “Stand-by”.

The function can only be activated if the appliance is not under alarm.

3.27 SUPERVISION DEVICE CONFIGURATION

The appliance can be configured so that it can be controlled by the external supervision devices such as Dominus or other types of home automation systems (not supplied by Immergas).

For the configuration, it is necessary to modify the parameter

Plant definition/Plant supervision.



It is not possible to configure both devices simultaneously.

3.28 CASING REMOVAL

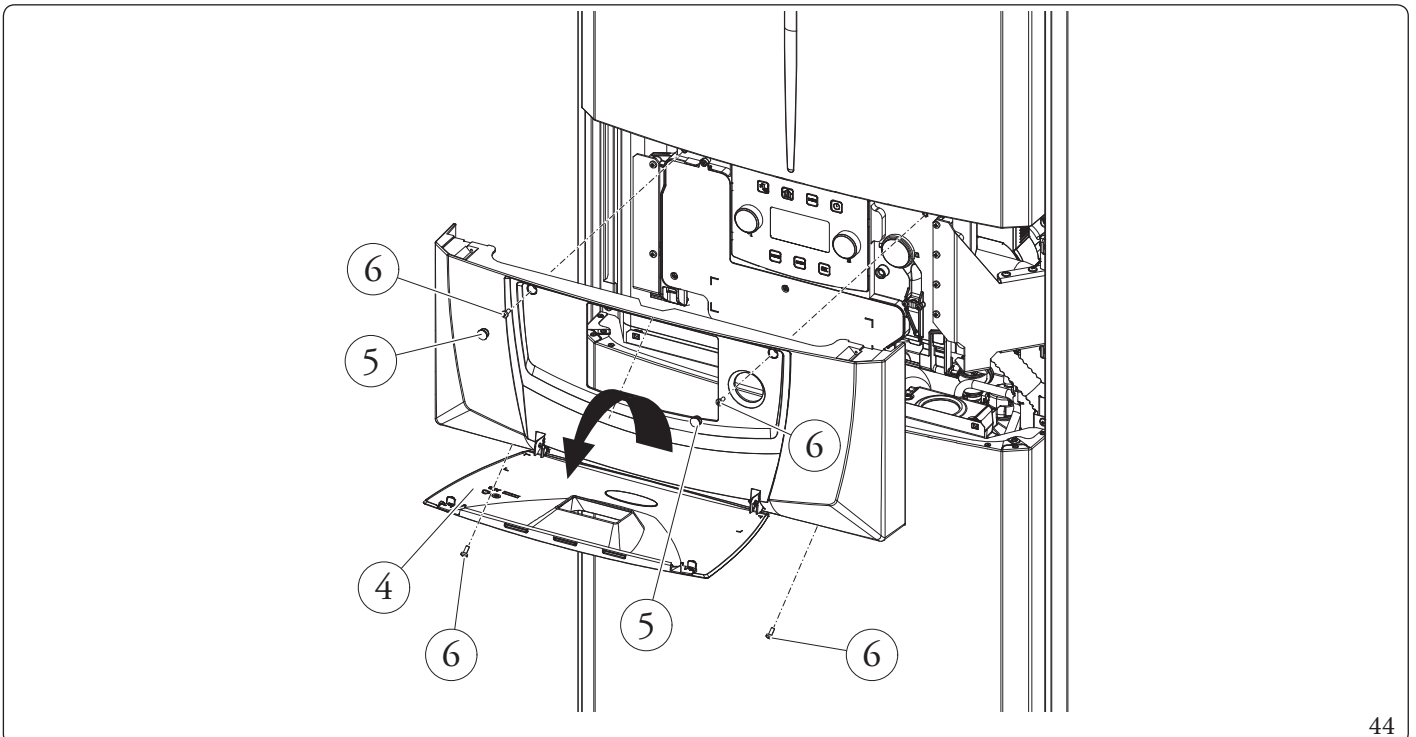
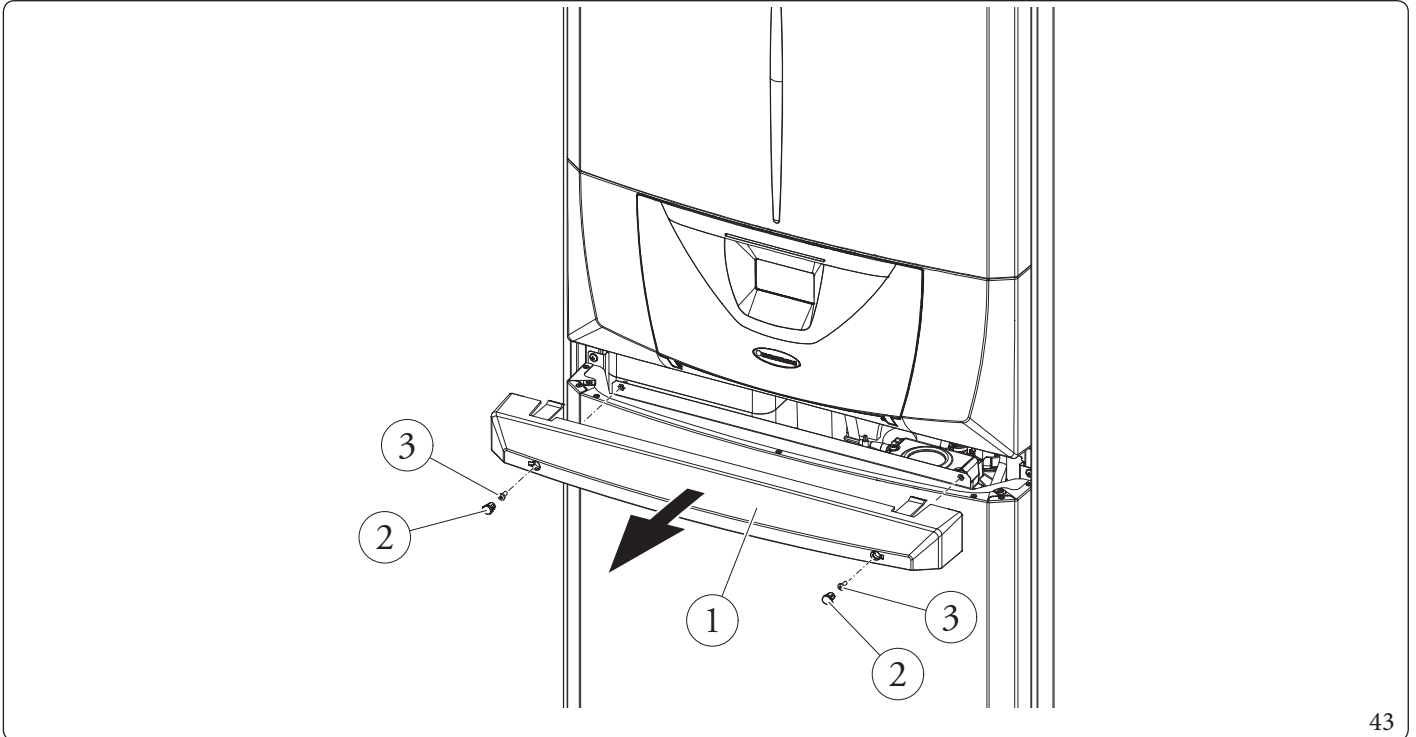
To facilitate indoor unit maintenance the casing can be completely removed as follows:

Aesthetic profile (1) (Fig. 43)

- Remove the plastic protection caps (2) and loosen the screws (3) to remove the aesthetic profile (1).

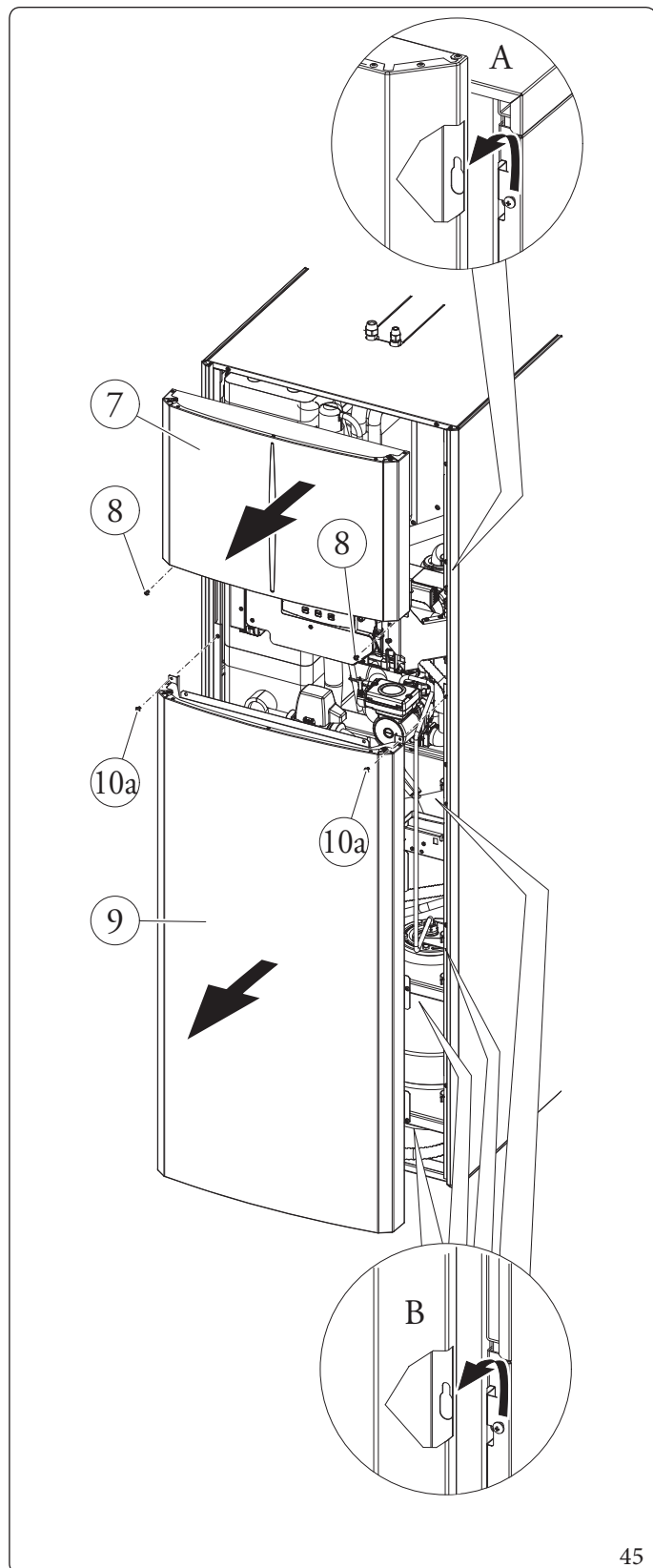
Cover disassembly (4) (Fig. 44)

- Open the cover door (4) to make it tilt.
- Remove the rubber protection caps (5), loosen the two upper front screws and the lower screws (6) to remove the cover (4)



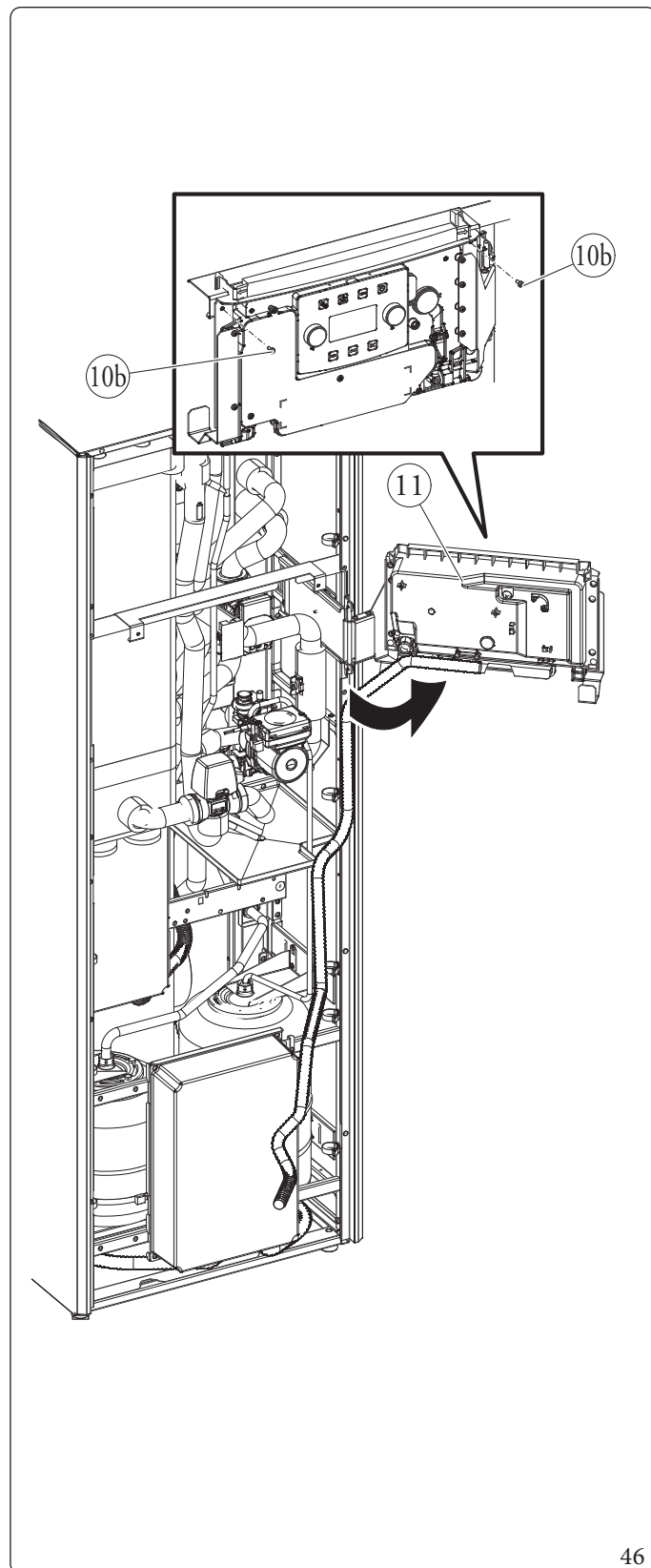
Disassembly of the upper front (7), lower front (9) (Fig. 45)

- Disassemble the upper front (7) by loosening the two screws (8) and pushing it upwards in order to free it from the fixing slots and pulling it towards yourself (Det. A).
- Disassemble the lower front (9) by loosening the 2 screws (10a) and pushing it upwards in order to free it from the fixing slots, pulling it towards yourself (Det. B).



45

- Unscrew the 2 (10b) fixing screws on the control panel.
- After which, pull the control panel (11) towards yourself and turn it as shown in the figure 46.

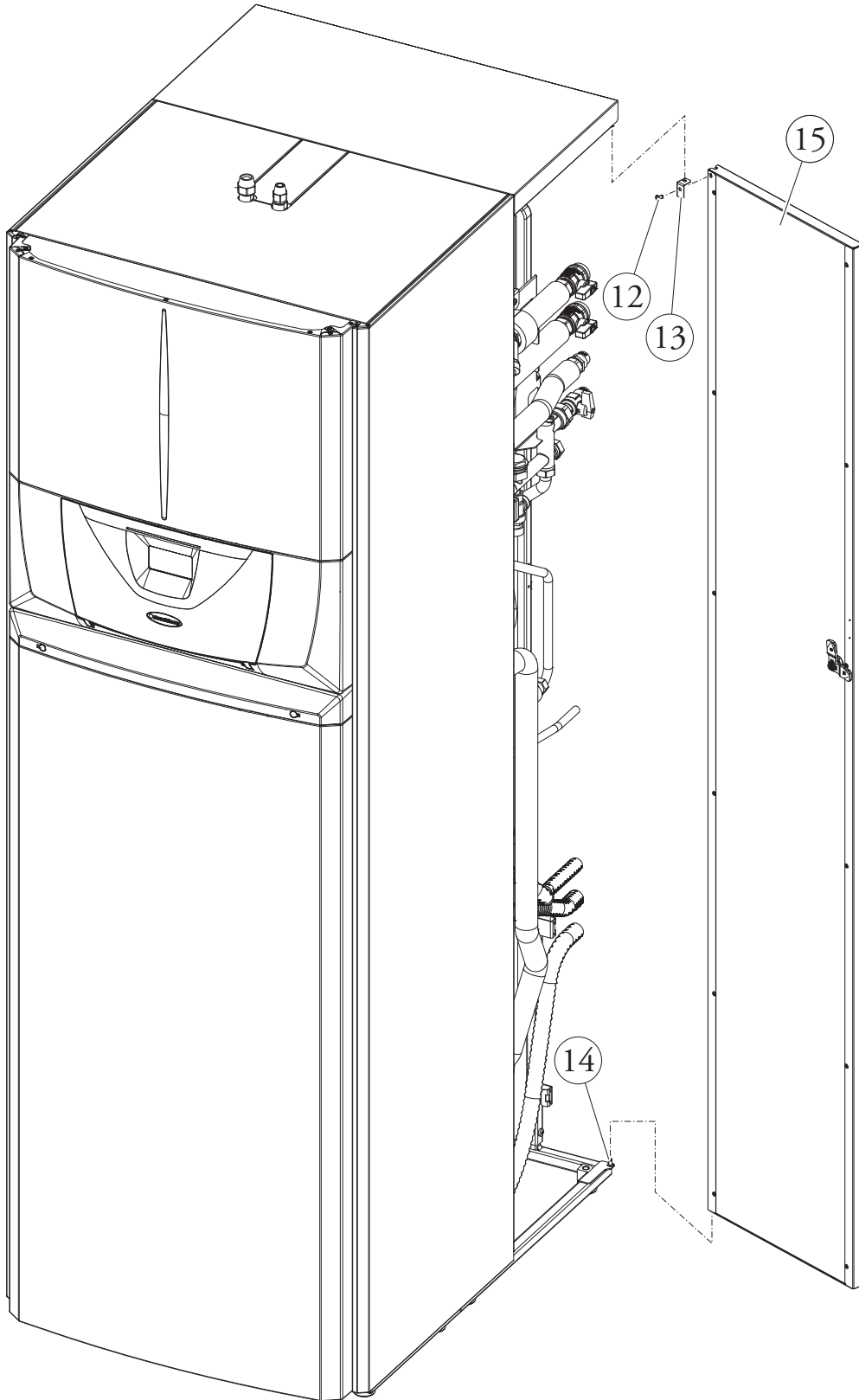


46

Right side door disassembly (15) (Fig. 47)

- Open the door (15) making it turn by at least 90° outwards.
- Remove the screw (12) in the top corner of the door (15).

- Release the door (15) from the bracket (13) just released from the screw (12) tilting it outwards and removing it from the lower pin (14).



INSTALLER

USER

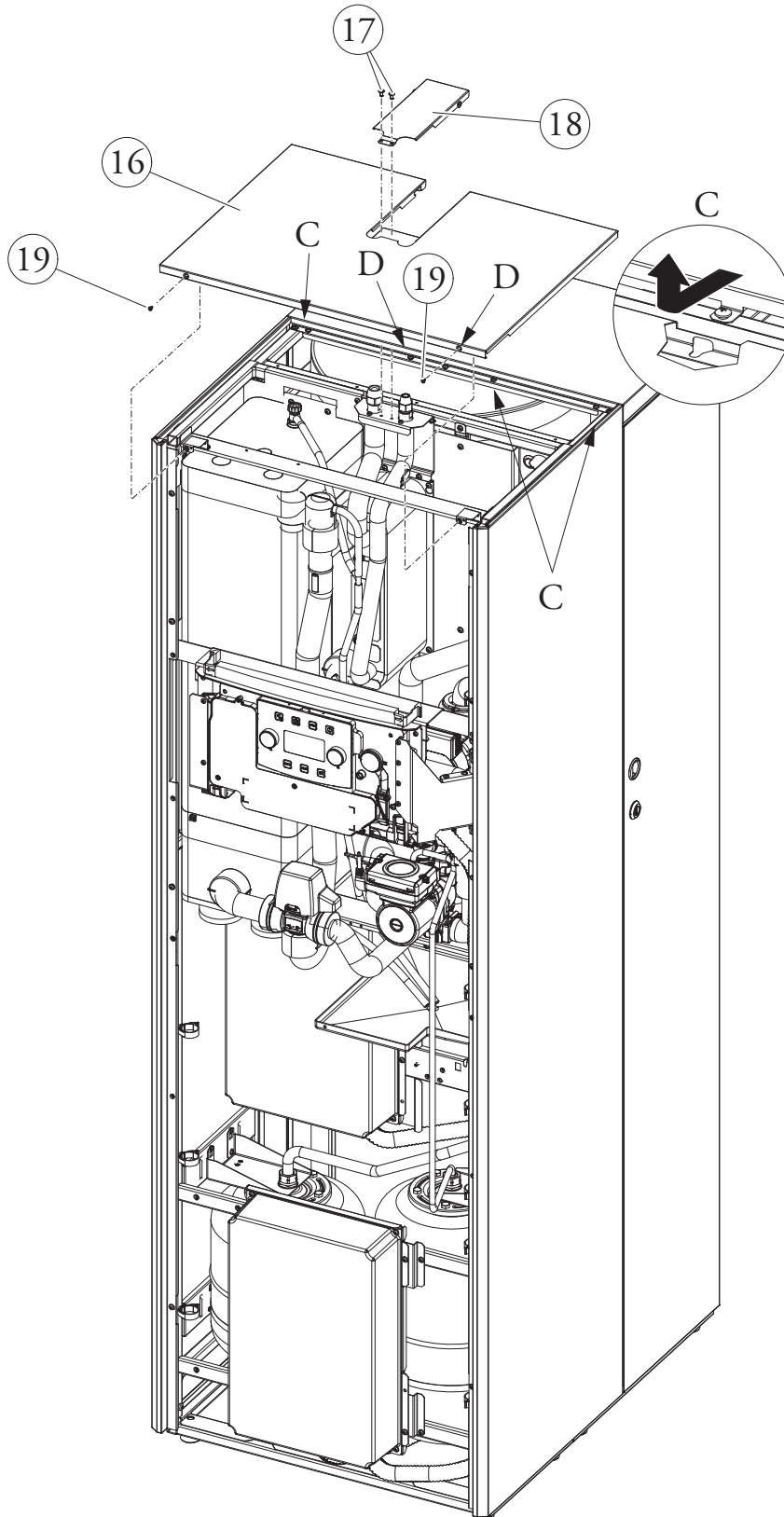
MAINTENANCE/TECHNICIAN

TECHNICAL DATA

Upper covers disassembly (16 and 18) (Fig. 48)

- Undo the fixing screws (19), pull the front cover towards you (16) to release it from the screws with the stop placed at the rear (Det. C) (see detail).

- Undo the fixing screws (17), pull the cover towards you (18) to release it from the screws with the stop placed at the rear (Det. D) (see detail).

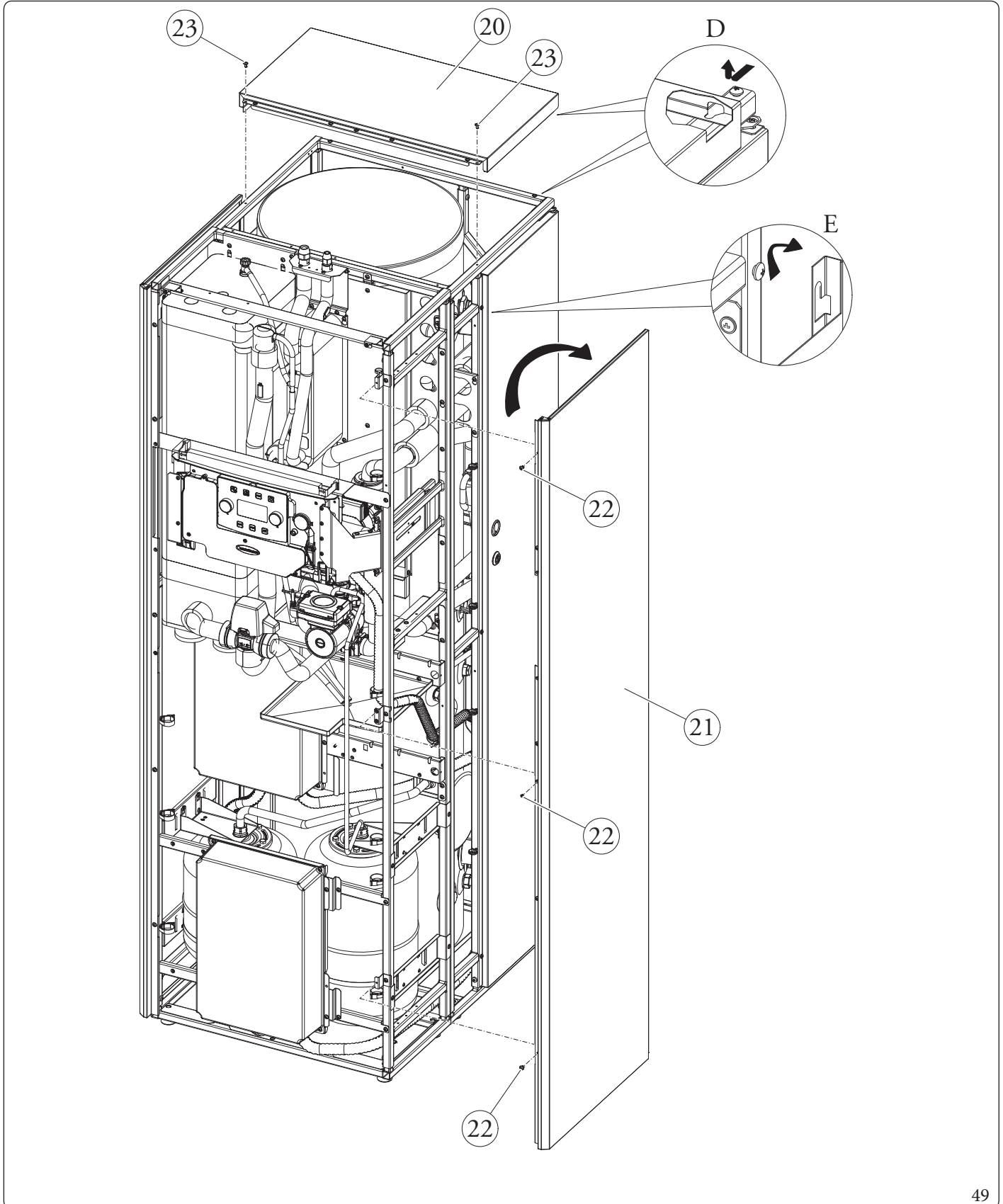


Rear cover disassembly (20) (Fig. 49)

- Undo the fixing screws (23), pull the rear cover towards you (20) to release it from the screws with the stop placed at the rear (Det. D).

Right side disassembly (21) (Fig. 49)

- Remove the right side (21) loosening the screws (22) present, then lightly push upwards in order to release the side from its seat and pull it outwards (Det. E).



INSTALLER

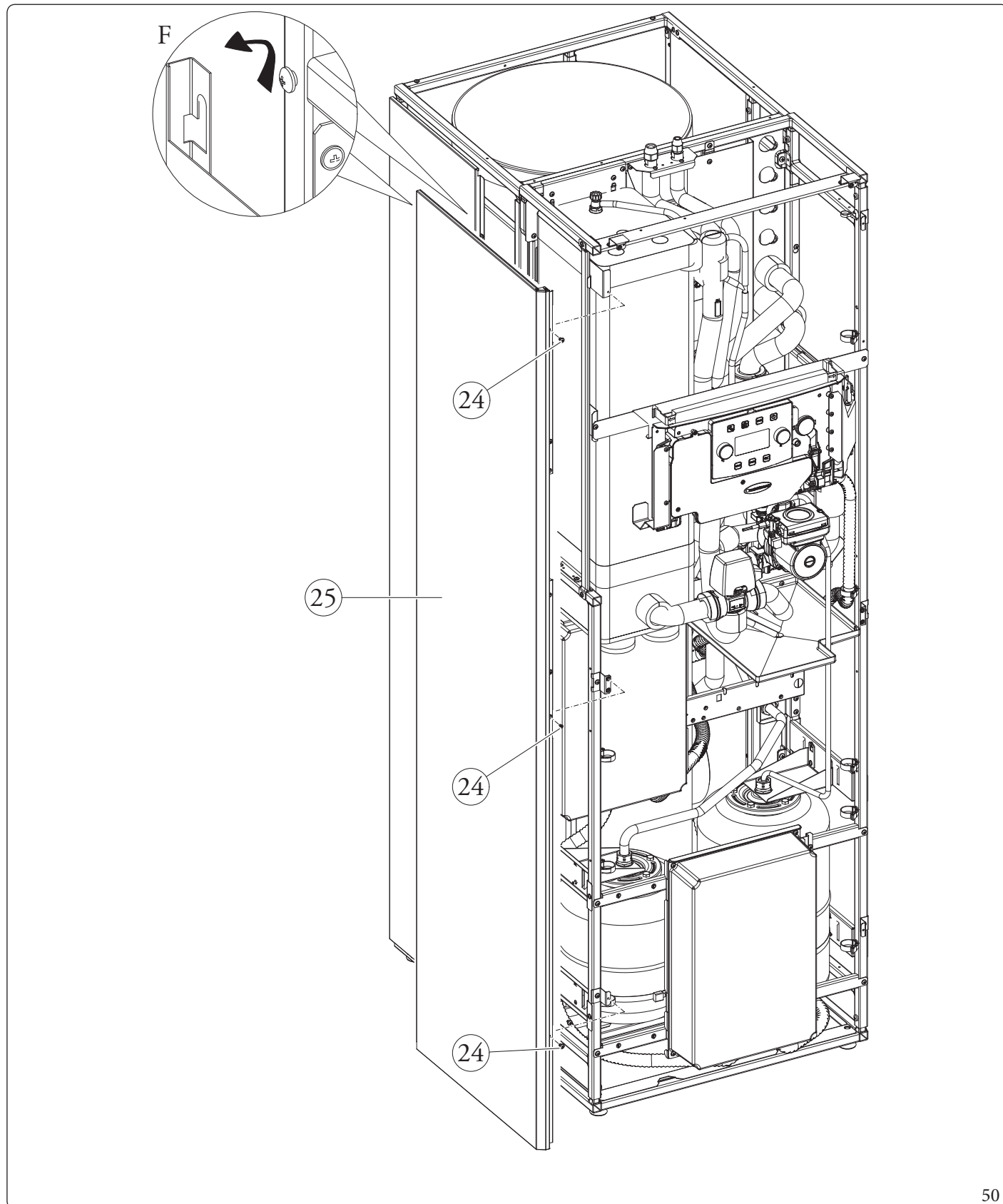
USER

MAINTENANCE/TECHNICIAN

TECHNICAL DATA

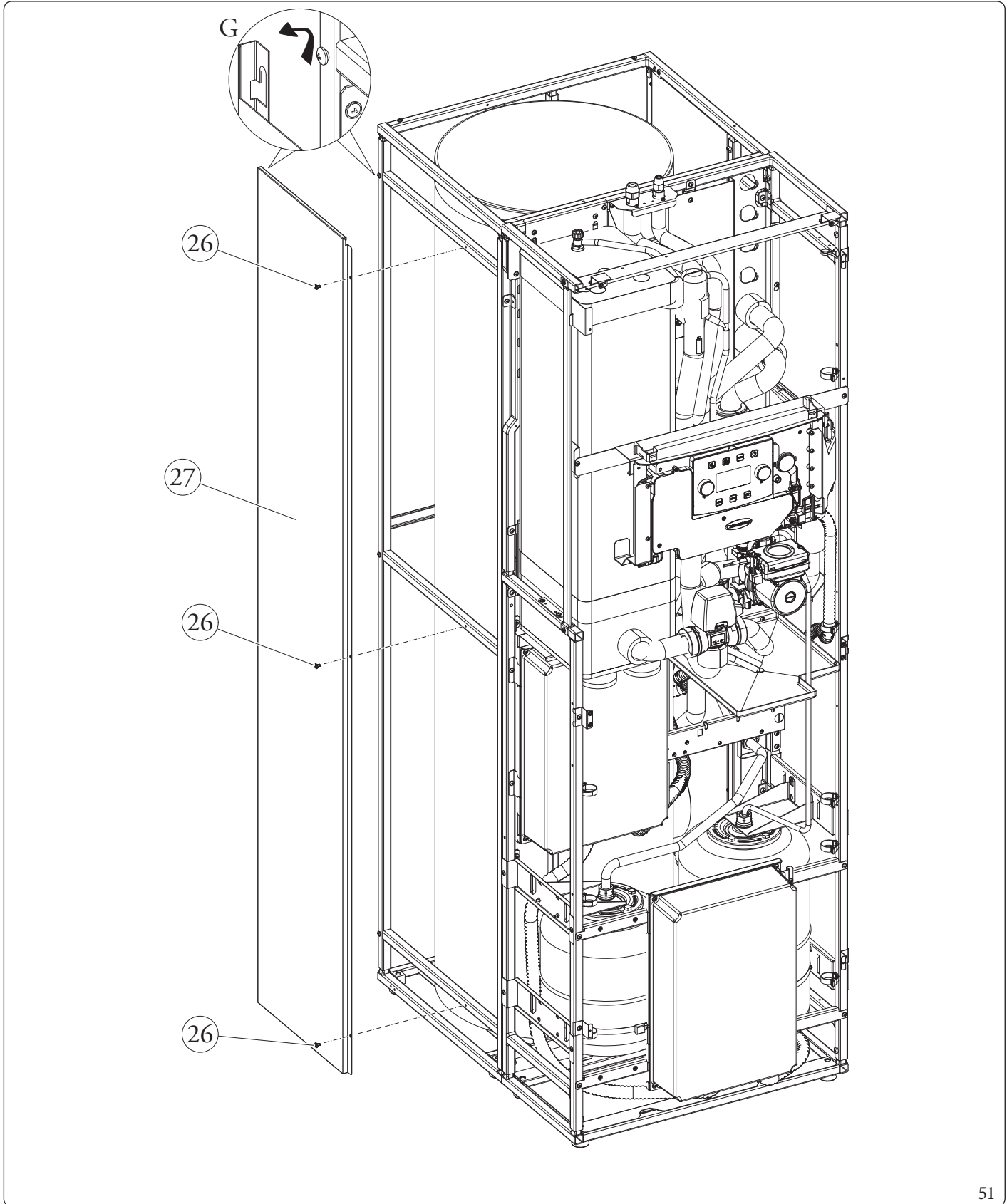
Front left side disassembly (25) (Fig. 50)

- Remove the front left side panel (25) by undoing the screws (24) and then slightly push the side panel upwards in order to release the side panel from its seat and pull it outwards (Det. F).



Rear left side disassembly (27) (Fig. 51)

- Remove the rear left side panel (27) by undoing the screws (26) and then slightly push the side panel upwards in order to release the side panel from its seat and pull it outwards (Det. G).



INSTALLER

USER

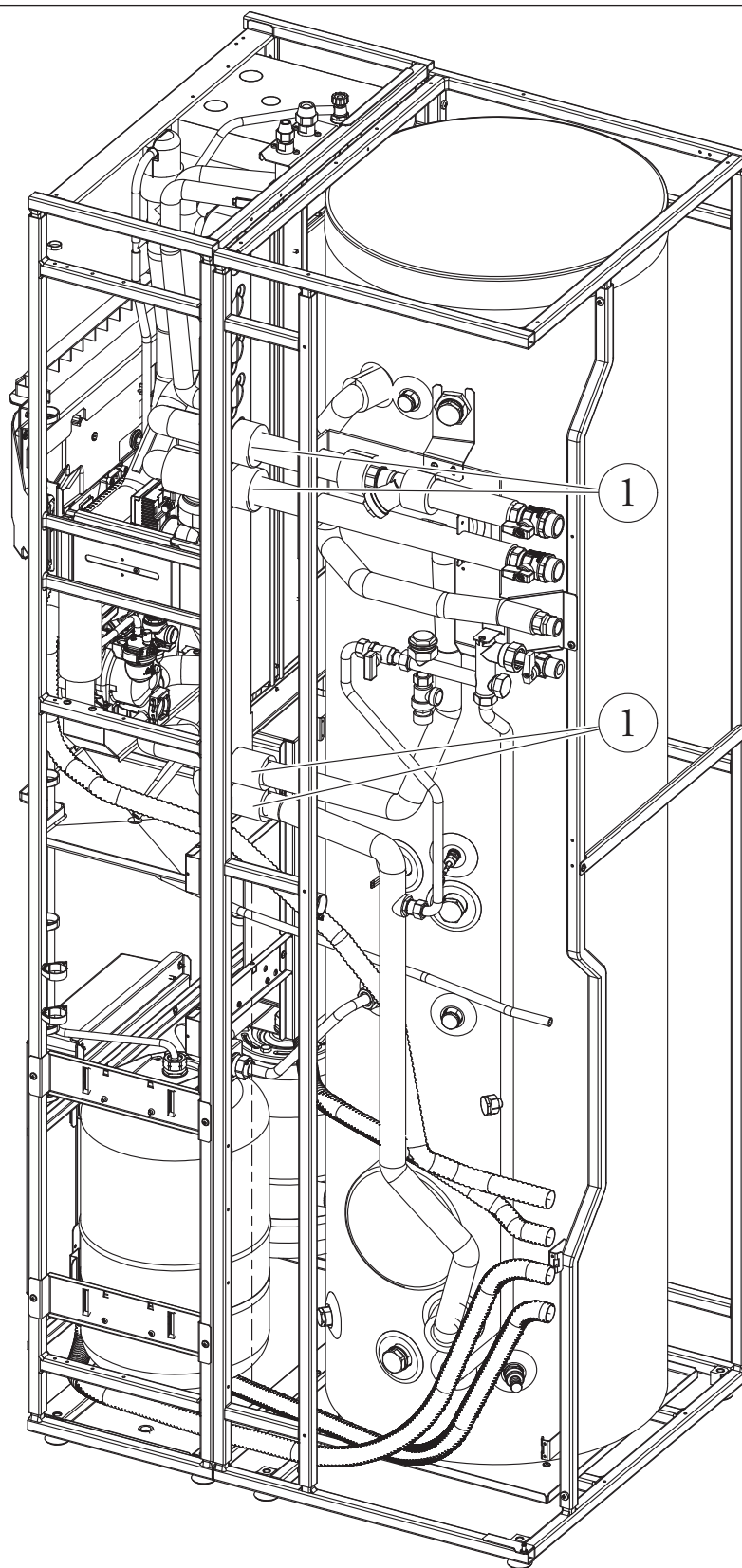
MAINTENANCE TECHNICIAN

TECHNICAL DATA

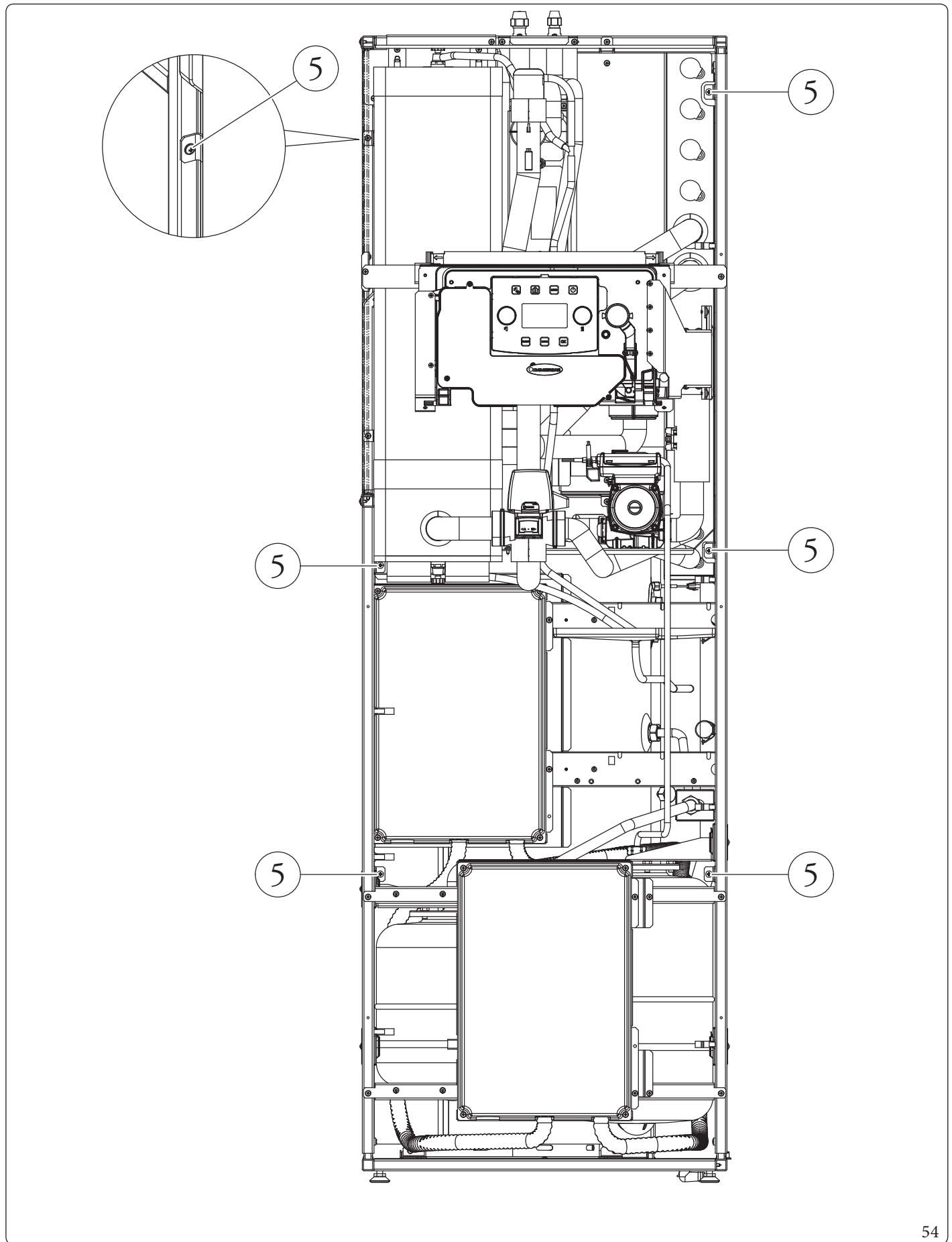
3.29 INDOOR UNIT SEPARATION

To ease transport the indoor unit can be separated into two detached modules. To do this one must follow the instructions below and completely disassemble the casing as described in Par. 3.28.

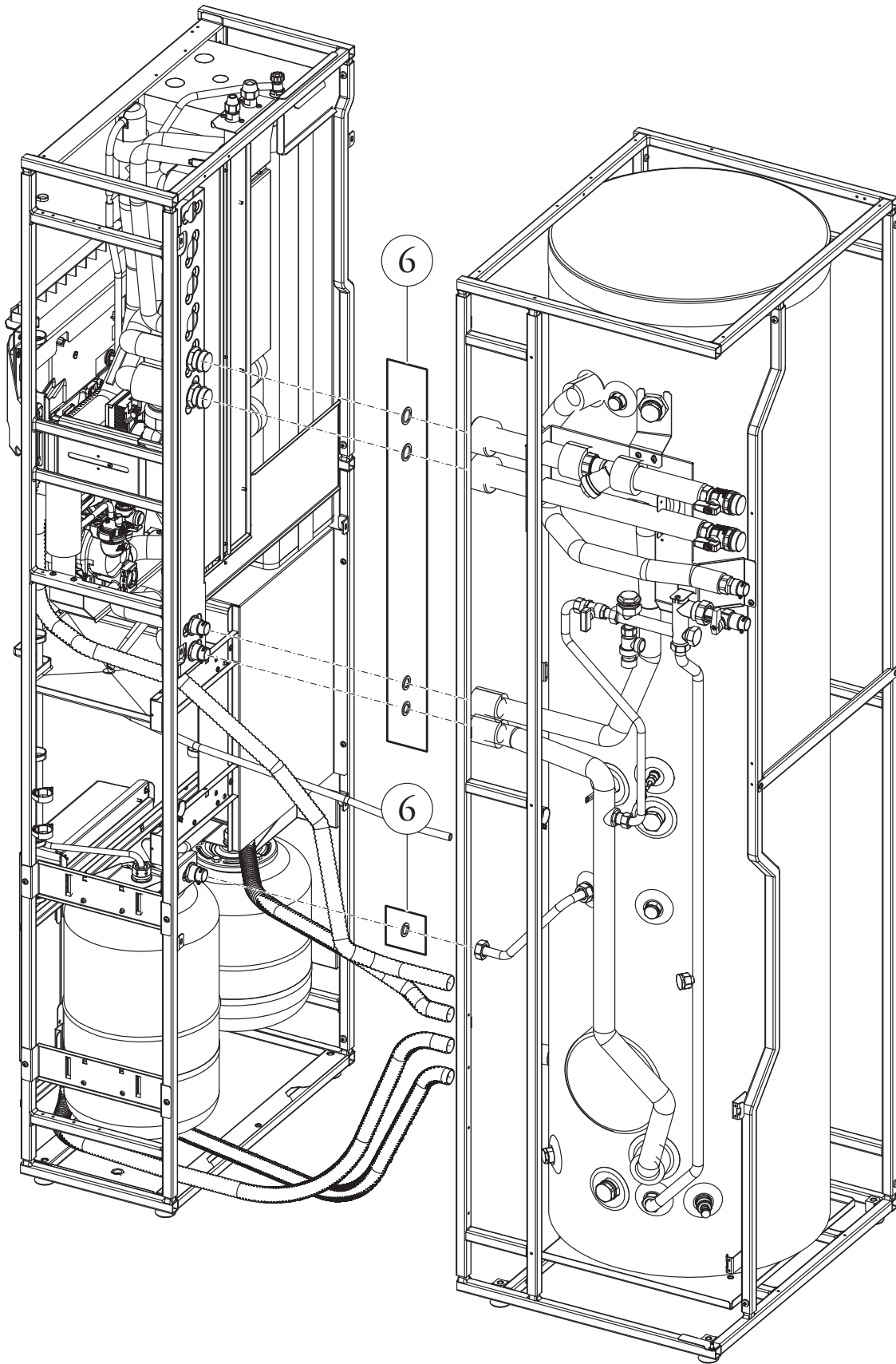
- Remove the insulation from the fittings (1) (Fig. 52).



- Undo the frame fixing screws (5) (Fig. 54).



- At this point one can separate the internal unit into two parts, be careful not to lose the gaskets (6) (Fig. 55).



INSTALLER

USER

MAINTENANCE TECHNICIAN

TECHNICAL DATA

4 TECHNICAL DATA

4.1 TECHNICAL DATA TABLE (SINGLE-PHASE)

The following data refers to product data.

		MAGISHERCULES PRO 12	MAGISHERCULES PRO 14	MAGISHERCULES PRO 16
Nominal data for low temperature applications (A7/W35)*				
Nominal central heating output	kW	12,00	14,00	16,00
Absorption	kW	2,59	3,15	3,76
COP	kW/kW	4,63	4,44	4,26
Nominal data for low temperature applications (A35/W18)*				
Nominal cooling output	kW	12,00	14,00	15,00
Absorption	kW	3,10	3,80	4,14
EER	kW/kW	3,87	3,68	3,62
Nominal data for intermediate temperature applications (A7/W45)**				
Nominal central heating output	kW	11,50	13,00	15,30
Absorption	kW	3,23	3,75	4,54
COP	kW/kW	3,56	3,47	3,37
Nominal data for intermediate temperature applications (A35/W7)**				
Nominal cooling output	kW	9,00	10,50	11,20
Absorption	kW	3,10	3,75	4,00
EER	kW/kW	2,90	2,80	2,80
Nominal data for medium temperature applications (A7/W55)***				
Nominal central heating output	kW	11,01	12,45	14,60
Absorption	kW	3,83	4,44	5,32
COP	kW/kW	2,87	2,80	2,74

* Central heating mode status: heat exchanger water inlet/remains at 30 °C/35 °C, outdoor air temperature 7 °C db/6 °C wb. Performance in compliance with EN 14511.

Cooling mode status: heat exchanger water inlet/remains at 23 °C/18 °C, outdoor air temperature 35 °C. Performance in compliance with EN 14511.

* Central heating mode status: heat exchanger water inlet/remains at 40 °C/45 °C, outdoor air temperature 7 °C db/6 °C wb.

Cooling mode status: heat exchanger water inlet/remains at 12 °C/7 °C, outdoor air temperature 35 °C. Performance in compliance with EN 14511.

*** Central heating mode status: inlet/remains at 47 °C/55 °C, outdoor air temperature 7 °C db/6 °C wb. Performance in compliance with EN 14511.

Indoor unit data

		MAGISHERCULES PRO 12	MAGISHERCULES PRO 14	MAGISHERCULES PRO 16
Dimensions (Width x Height x Depth)	mm	650x1970x908		
Maximum heating temperature	°C	20-55		
Adjustable central heating temperature (max operating field)	°C	5-25		
Cooling adjustable temperature (max. operating field)	°C	10.. 46		
Domestic hot water adjustable temperature	°C	10-55		
Domestic hot water adjustable temperature with DHW integration resistance (optional)	°C	10-65		
Water content	l	56,0		
System expansion vessel volume	l	24		
System expansion vessel pre-charged pressure	bar	1		
DHW (Domestic hot water) expansion vessel volume	l	16		
DHW expansion vessel pre-charged pressure	bar	2,5		
Domestic hot water circuit pressure	bar	8		
Hydraulic circuit max. operating pressure	bar	3		
Head available with 1000l/h flow rate	kPa (m c.a.)	55,0(5,6)		
Storage tank water content	l	235		
Electrical connection	V/Hz	1P, 230Vac, 50Hz		
Absorption without additional loads	W	205		
Electrical resistance absorption	W	2300		
System integrative resistance absorption (optional)	kW	6		
EEI value	-	≤0.20 - Det. 3		
Equipment electrical system protection	-	IPX5D		
Ambient operating temperature range	°C	0 ÷ +40		
Empty hydronic unit weight	kg	212		
Full hydronic unit weight	kg	267		

Outdoor condensing unit - Ambient operating temperature range.

		MAGISHERCULES PRO 12	MAGISHERCULES PRO 14	MAGISHERCULES PRO 16
Room temperature in cooling mode	°C	10.. 46		
Room temperature in central heating mode	°C	-25..35		
Domestic hot water room temperature	°C	-25..35		
Domestic hot water room temperature with DHW integration resistance	°C	-25..46		

INSTALLER

USER

MAINTENANCE TECHNICIAN

TECHNICAL DATA

4.2 TECHNICAL DATA TABLE (THREE-PHASE)

The following data refers to product data.

		MAGISHERCULES PRO 12 T	MAGISHERCULES PRO 14 T	MAGISHERCULES PRO 16 T
Nominal data for low temperature applications (A7/W35)*				
Nominal central heating output	kW	12,00	14,00	16,00
Absorption	kW	2,59	3,15	3,76
COP	kW/kW	4,63	4,44	4,26
Nominal data for low temperature applications (A35/W18)*				
Nominal cooling output	kW	12,00	14,00	15,00
Absorption	kW	3,10	3,80	4,14
EER	kW/kW	3,87	3,68	3,62
Nominal data for intermediate temperature applications (A7/W45)**				
Nominal central heating output	kW	11,50	13,00	15,30
Absorption	kW	3,23	3,75	4,54
COP	kW/kW	3,56	3,47	3,37
Nominal data for intermediate temperature applications (A35/W7)**				
Nominal cooling output	kW	9,00	10,50	11,20
Absorption	kW	3,10	3,75	4,00
EER	kW/kW	2,90	2,80	2,80
Nominal data for medium temperature applications (A7/W55)***				
Nominal central heating output	kW	11,01	12,45	14,60
Absorption	kW	3,83	4,44	5,32
COP	kW/kW	2,87	2,80	2,74

* Central heating mode status: heat exchanger water inlet/remains at 30 °C/35 °C, outdoor air temperature 7 °C db/6 °C wb. Performance in compliance with EN 14511.

Cooling mode status: heat exchanger water inlet/remains at 23 °C/18 °C, outdoor air temperature 35 °C. Performance in compliance with EN 14511.

* Central heating mode status: heat exchanger water inlet/remains at 40 °C/45 °C, outdoor air temperature 7 °C db/6 °C wb.

Cooling mode status: heat exchanger water inlet/remains at 12 °C/7 °C, outdoor air temperature 35 °C. Performance in compliance with EN 14511.

*** Central heating mode status: inlet/remains at 47 °C/55 °C, outdoor air temperature 7 °C db/6 °C wb. Performance in compliance with EN 14511.

Indoor unit data

		MAGISHERCULES PRO 12 T	MAGISHERCULES PRO 14 T	MAGISHERCULES PRO 16 T
Dimensions (Width x Height x Depth)	mm	650x1970x908		
Maximum heating temperature	°C	20-55		
Adjustable central heating temperature (max operating field)	°C	5-25		
Cooling adjustable temperature (max. operating field)	°C	10.. 46		
Domestic hot water adjustable temperature	°C	10-55	10-50	10-55
Domestic hot water adjustable temperature with DHW integration resistance (optional)	°C	10-65		
Water content	l	56,0		
System expansion vessel volume	l	24		
System expansion vessel pre-charged pressure	bar	1		
DHW (Domestic hot water) expansion vessel volume	l	16		
DHW expansion vessel pre-charged pressure	bar	2,5		
Domestic hot water circuit pressure	bar	8		
Hydraulic circuit max. operating pressure	bar	3		
Head available with 1000l/h flow rate	kPa (m c.a.)	55,0(5,6)		
Storage tank water content	l	235		
Electrical connection	V/Hz	1P, 230Vac, 50Hz		
Absorption without additional loads	W	205		
Electrical resistance absorption	W	2300		
System integrative resistance absorption (optional)	kW	6		
EEI value	-	≤0.20 - Det. 3		
Equipment electrical system protection	-	IPX5D		
Ambient operating temperature range	°C	0 ÷ +40		
Empty hydronic unit weight	kg	212		
Full hydronic unit weight	kg	267		

Outdoor condensing unit - Ambient operating temperature range.

		MAGISHERCULES PRO 12 T	MAGISHERCULES PRO 14 T	MAGISHERCULES PRO 16 T
Room temperature in cooling mode	°C	10.. 46		
Room temperature in central heating mode	°C	-25..35		
Domestic hot water room temperature	°C	-25..35		
Domestic hot water room temperature with DHW integration resistance	°C	-25..46		

INSTALLER

USER

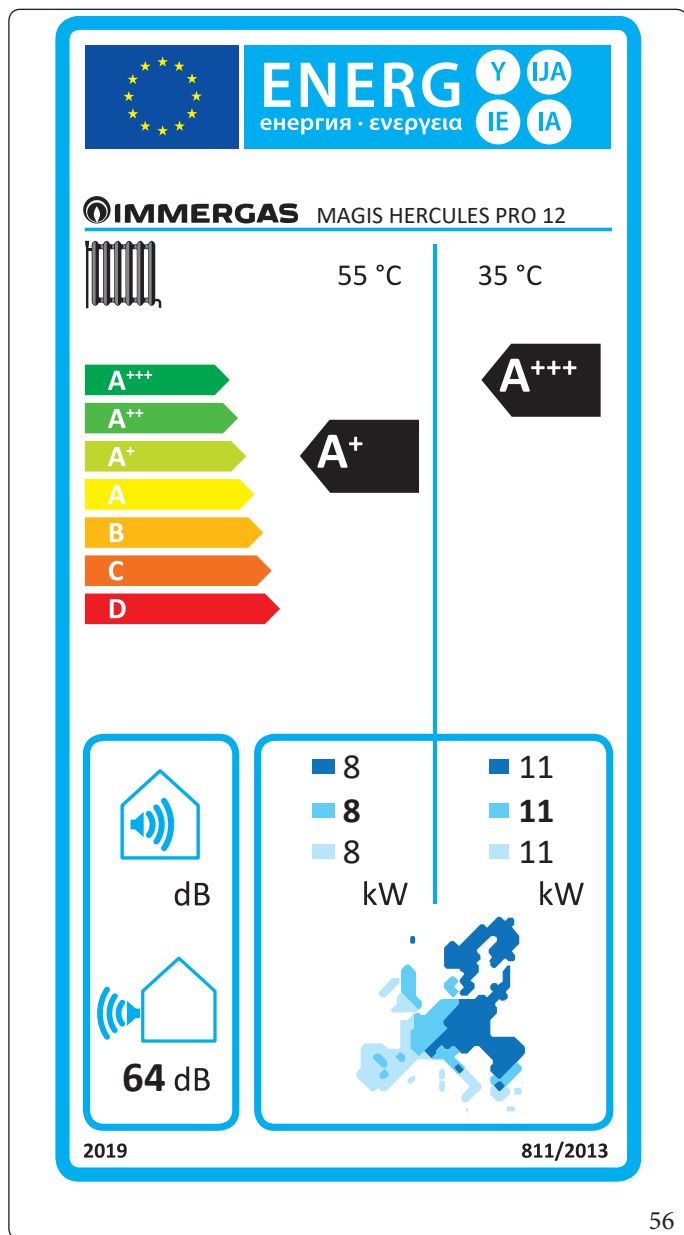
MAINTENANCE TECHNICIAN

TECHNICAL DATA

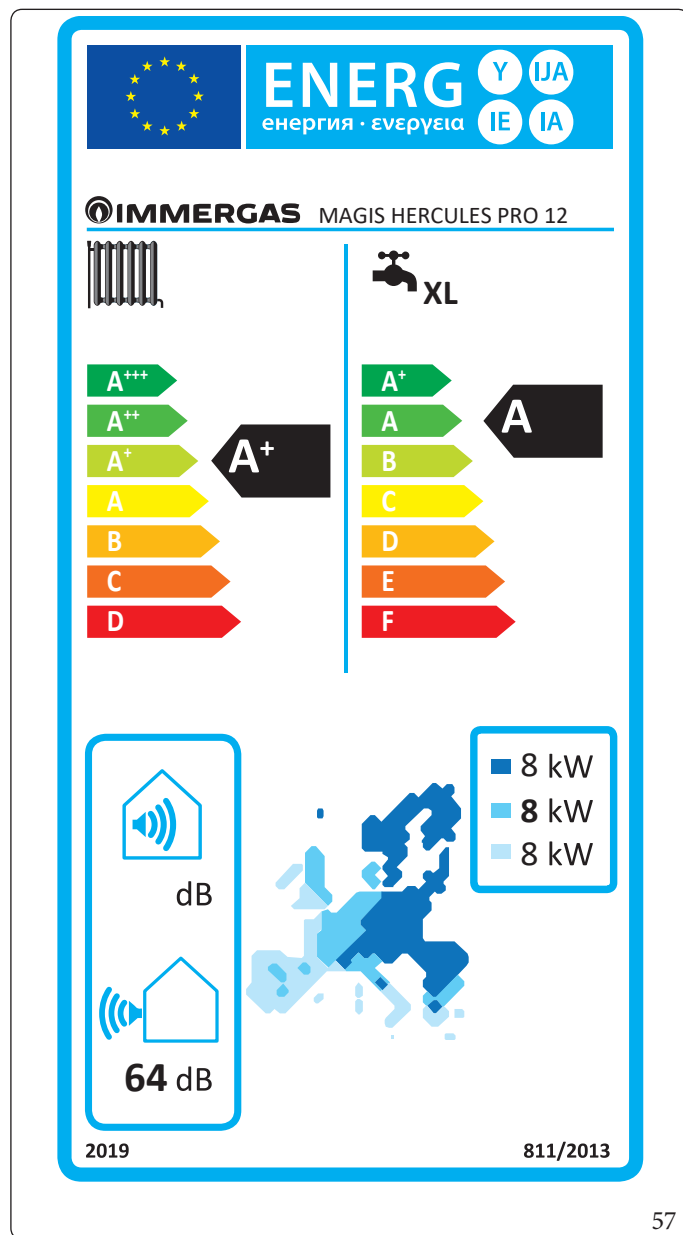
4.3 MAGIS HERCULES PRO 12 PRODUCT FICHE (IN COMPLIANCE WITH REGULATION 811/2013)

For proper installation of the appliance refer to chapter 1 of this booklet (for the installer) and current installation regulations.

For proper maintenance refer to chapter 3 of this booklet (for the maintenance technician) and adhere to the frequencies and methods set out herein.



56

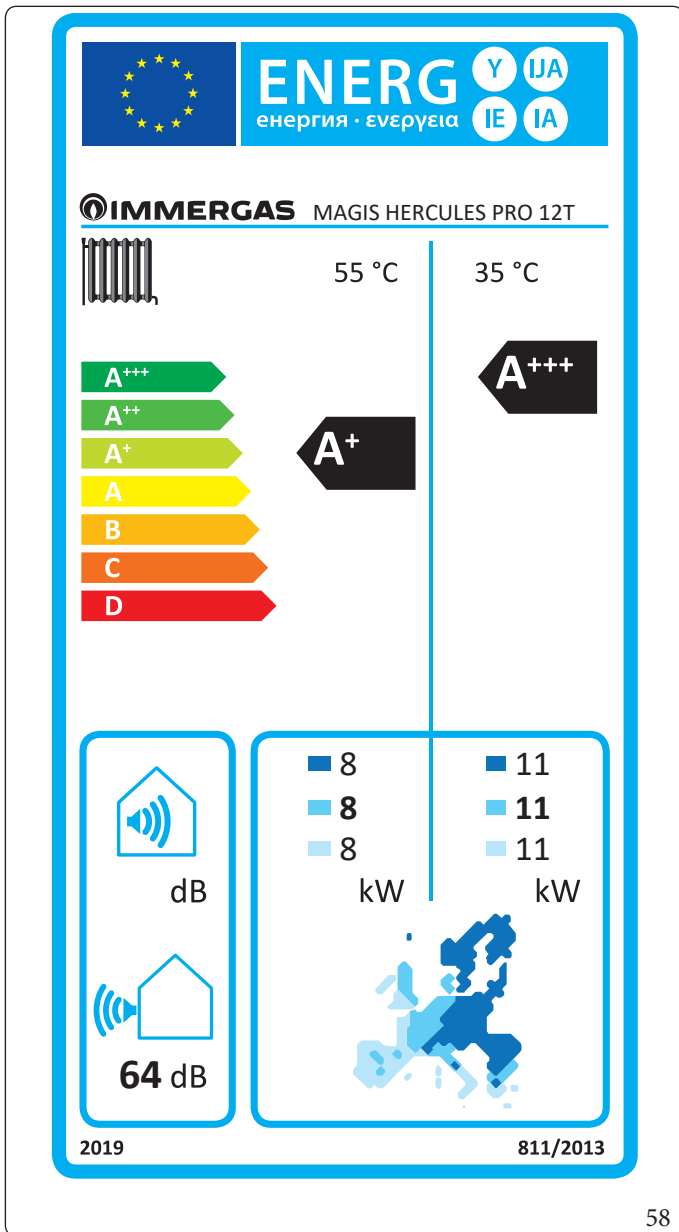


57

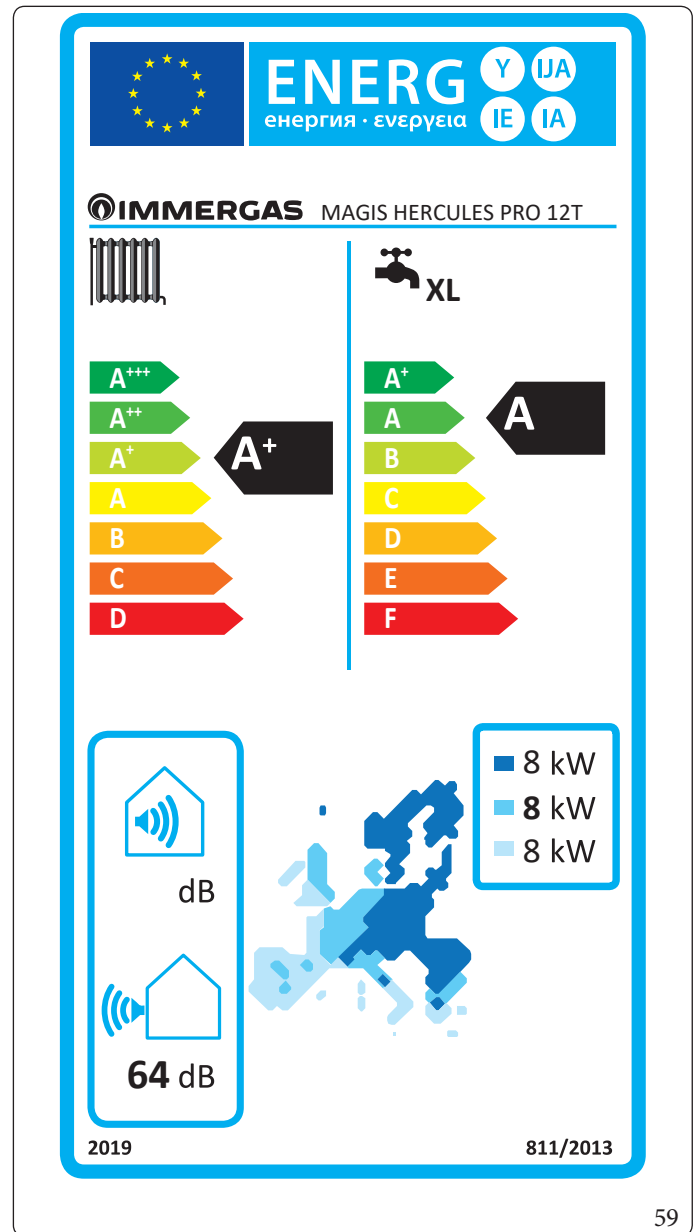
4.4 MAGIS HERCULES PRO 12T PRODUCT FICHE (IN COMPLIANCE WITH REGULATION 811/2013)

For proper installation of the appliance refer to chapter 1 of this booklet (for the installer) and current installation regulations.

For proper maintenance refer to chapter 3 of this booklet (for the maintenance technician) and adhere to the frequencies and methods set out herein.



58



59

INSTALLER

USER

MAINTENANCE TECHNICIAN

TECHNICAL DATA

4.5 MAGISHERCULES PRO 12- 12T PARAMETERS

Parameter	Unit	Value
η_{MW} (energy efficiency)	%	94,4
V40 (water mixed at 40°C)	l	245.8

Low temperature (30/35)

Parameter	Value	Colder zones	Average zones	Hotter zones
		■	■	■
Annual energy consumption for the central heating mode (Q_{HF})	kWh/year	6256	4910	2318
Room central heating seasonal efficiency (η_r)	η_s %	164	175	260
Nominal heat output	kW	11,00	11,00	11,00

Average temperature (47/55)

Parameter	Value	Colder zones	Average zones	Hotter zones
		■	■	■
Annual energy consumption for the central heating mode (Q_{HF})	kWh/year	7217	5578	2783
Room central heating seasonal efficiency (η_r)	η_s %	106	116	158
Nominal heat output	kW	8,00	8,00	8,00

Average temperature table (47/55) average zones

Model		MAGISHERCULES PRO 12- 12T					
Air/water heat pump	yes	Low temperature heat pump				no	
Water/water heat pump	no	With additional central heating device				no	
Brine/water heat pump	no	Mixed central heating device with heat pump:				no	
The parameters are declared for average temperature application, except for low temperature heat pumps. The parameters for low temperature heat pumps are declared for low temperature application							
The parameters are declared for average climatic conditions							
Element	Symbol	Value	Unit	Element	Symbol	Value	Unit
Nominal heat output	$P_{nomi-nale}$	8,00	kW	Room central heating seasonal energy efficiency	η_s	116	%
Central heating capacity declared with a partial load and indoor temperature equivalent to 20°C and outdoor temperature T_j				Performance coefficient declared with indoor temperature equivalent to 20°C and outdoor temperature T_j			
$T_j = -7\text{ °C}$	P_{dh}	7,1	kW	$T_j = -7\text{ °C}$	COP_{dh}	1,70	-
$T_j = +2\text{ °C}$	P_{dh}	4,3	kW	$T_j = +2\text{ °C}$	COP_{dh}	2,70	-
$T_j = +7\text{ °C}$	P_{dh}	3,6	kW	$T_j = +7\text{ °C}$	COP_{dh}	4,45	-
$T_j = +12\text{ °C}$	P_{dh}	4,3	kW	$T_j = +12\text{ °C}$	COP_{dh}	6,50	-
$T_j =$ bivalent temperature	P_{dh}	7,1	kW	$T_j =$ bivalent temperature	COP_{dh}	1,70	-
$T_j =$ operating limit temperature	P_{dh}	8,0	kW	$T_j =$ operating limit temperature	COP_{dh}	1,60	-
for air/water heat pumps: $T_j = -15\text{ °C}$ (se TOL < -20 °C)	P_{dh}	-	kW	for air/water heat pumps: $T_j = -15\text{ °C}$ (se TOL < -20 °C)	COP_{dh}	-	-
Bivalent temperature	T_{biv}	-7	°C	for air/water heat pumps: Operating limit temperature	TOL	-10	°C
Central heating capacity cycle intervals	P_{ych}	-	kW	Cycle intervals efficiency	COP_{cyc} o PER_{cyc}	-	-
Degradation coefficient	C_{dh}	0,9	-	Water heating temperature operating limit	WTOL	55	°C
Different mode of energy consumption from the active mode				Additional heating appliance			
OFF mode	P_{OFF}	0,010	kW	Nominal heat output	P_{sup}	-	kW
Thermostat mode off	P_{TO}	0,010	kW	Type of energy supply voltage	power reduction		
Standby mode	P_{SB}	0,010	kW				
Guard heating mode	P_{CK}	0,000	kW				
Other items							
Capacity control	VARIABLE			For air/water heat pumps: nominal air output to outside	-	5940	m ³ /h
Indoor/outdoor sound level	L_{WA}	64	dB	For water or brine/water heat pumps: nominal flow of brine or water, outdoor heat exchanger	-	-	m ³ /h
Annual energy consumption	Q_{HE}	5578	kWh or GJ				
For mixed central heating appliances with a heat pump							
Stated load profile	XL			Water central heating energy efficiency	η_{wh}	94,4	%
Daily electrical power consumption	Q_{elec}	8,51	kWh	Daily fuel consumption	Q_{fuel}	-	kWh
Annual energy consumption	AEC	1774	kWh	Annual fuel consumption	AFC	-	GJ
Contact information	Immergas S.p.A. via Cisa Ligure n.95						

INSTALLER

USER

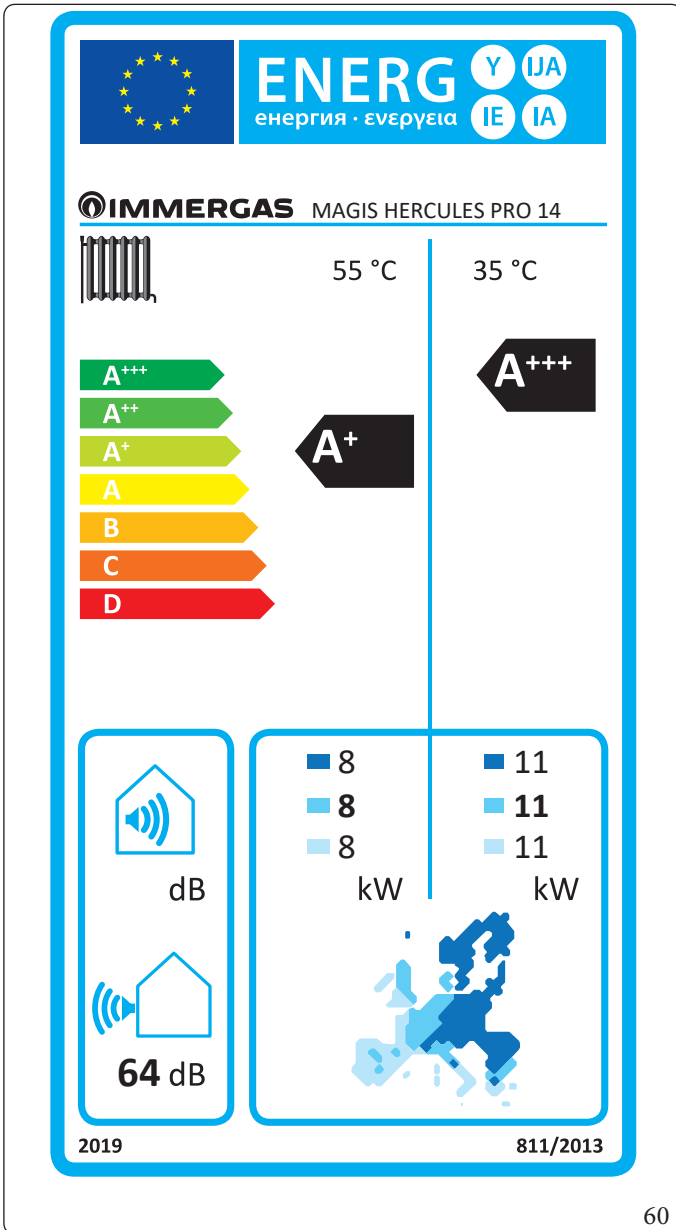
MAINTENANCE TECHNICIAN

TECHNICAL DATA

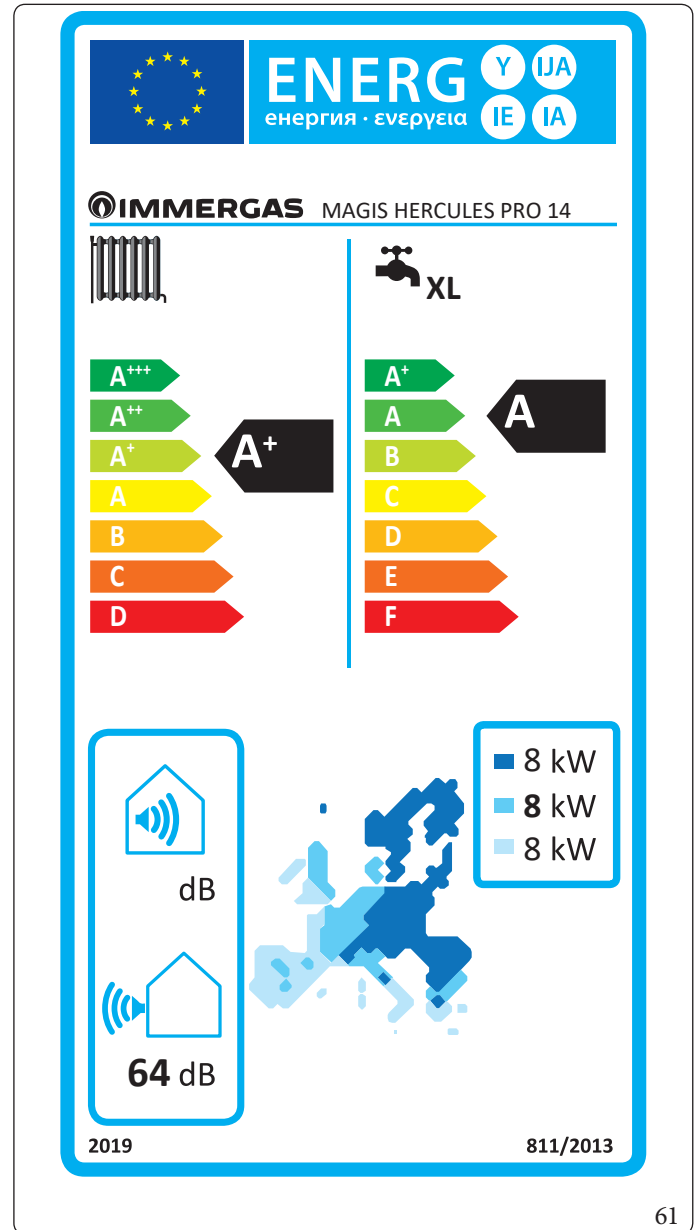
4.6 MAGIS HERCULES PRO 14 PRODUCT FICHE (IN COMPLIANCE WITH REGULATION 811/2013)

For proper installation of the appliance refer to chapter 1 of this booklet (for the installer) and current installation regulations.

For proper maintenance refer to chapter 3 of this booklet (for the maintenance technician) and adhere to the frequencies and methods set out herein.



60

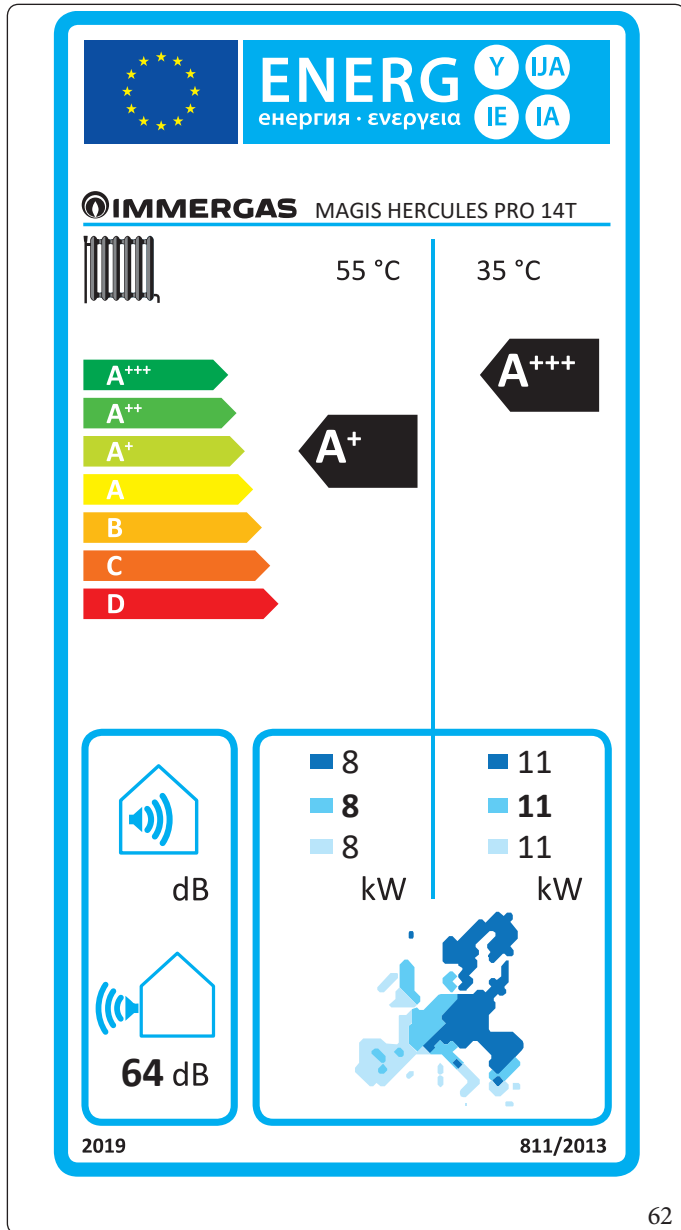


61

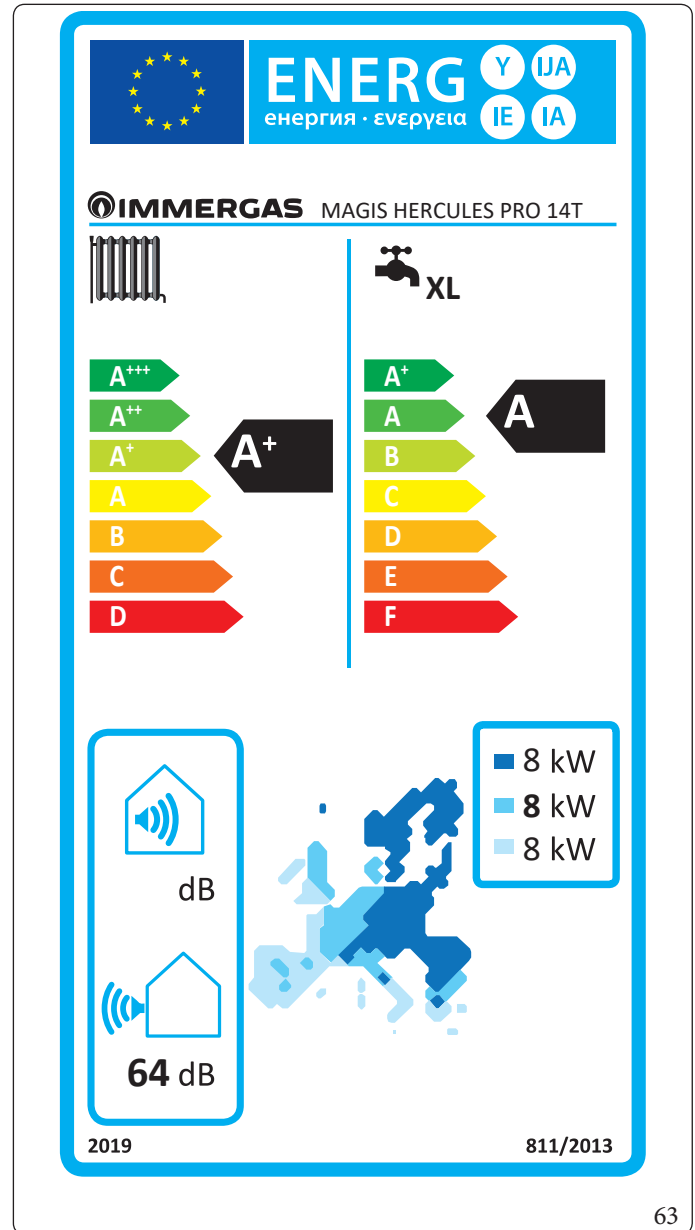
4.7 MAGIS HERCULES PRO 14T PRODUCT FICHE (IN COMPLIANCE WITH REGULATION 811/2013)

For proper installation of the appliance refer to chapter 1 of this booklet (for the installer) and current installation regulations.

For proper maintenance refer to chapter 3 of this booklet (for the maintenance technician) and adhere to the frequencies and methods set out herein.



62



63

INSTALLER

USER

MAINTENANCE TECHNICIAN

TECHNICAL DATA

4.8 MAGISHERCULES PRO 14- 14T PARAMETERS

Parameter	Unit	Value
η_{MW} (energy efficiency)	%	91,4
V40 (water mixed at 40°C)	l	245.8

Low temperature (30/35)

Parameter	Value	Colder zones	Average zones	Hotter zones
		■	■	■
Annual energy consumption for the central heating mode (Q_{HE})	kWh/year	6256	4910	2318
Room central heating seasonal efficiency (η_r)	η_s %	164	175	260
Nominal heat output	kW	11,00	11,00	11,00

Average temperature (47/55)

Parameter	Value	Colder zones	Average zones	Hotter zones
		■	■	■
Annual energy consumption for the central heating mode (Q_{HE})	kWh/year	7217	5578	2783
Room central heating seasonal efficiency (η_r)	η_s %	106	116	158
Nominal heat output	kW	8,00	8,00	8,00

Average temperature table (47/55) average zones

Model		MAGISHERCULES PRO 14 - 14T					
Air/water heat pump	yes	Low temperature heat pump				no	
Water/water heat pump	no	With additional central heating device				no	
Brine/water heat pump	no	Mixed central heating device with heat pump:				no	
The parameters are declared for average temperature application, except for low temperature heat pumps. The parameters for low temperature heat pumps are declared for low temperature application							
The parameters are declared for average climatic conditions							
Element	Symbol	Value	Unit	Element	Symbol	Value	Unit
Nominal heat output	$P_{nomi-nale}$	8,00	kW	Room central heating seasonal energy efficiency	η_s	116	%
Central heating capacity declared with a partial load and indoor temperature equivalent to 20°C and outdoor temperature T_j				Performance coefficient declared with indoor temperature equivalent to 20°C and outdoor temperature T_j			
$T_j = -7\text{ °C}$	P_{dh}	7,1	kW	$T_j = -7\text{ °C}$	COP_{dh}	1,70	-
$T_j = +2\text{ °C}$	P_{dh}	4,3	kW	$T_j = +2\text{ °C}$	COP_{dh}	2,70	-
$T_j = +7\text{ °C}$	P_{dh}	3,6	kW	$T_j = +7\text{ °C}$	COP_{dh}	4,45	-
$T_j = +12\text{ °C}$	P_{dh}	4,3	kW	$T_j = +12\text{ °C}$	COP_{dh}	6,50	-
$T_j =$ bivalent temperature	P_{dh}	7,1	kW	$T_j =$ bivalent temperature	COP_{dh}	1,70	-
$T_j =$ operating limit temperature	P_{dh}	8,0	kW	$T_j =$ operating limit temperature	COP_{dh}	1,60	-
for air/water heat pumps: $T_j = -15\text{ °C}$ (se TOL < -20 °C)	P_{dh}	-	kW	for air/water heat pumps: $T_j = -15\text{ °C}$ (se TOL < -20 °C)	COP_{dh}	-	-
Bivalent temperature	T_{biv}	-7	°C	for air/water heat pumps: Operating limit temperature	TOL	-10	°C
Central heating capacity cycle intervals	P_{cyc}	-	kW	Cycle intervals efficiency	COP_{cyc} o PER_{cyc}	-	-
Degradation coefficient	C_{dh}	0,9	-	Water heating temperature operating limit	WTOL	55	°C
Different mode of energy consumption from the active mode				Additional heating appliance			
OFF mode	P_{OFF}	0,010	kW	Nominal heat output	P_{sup}	-	kW
Thermostat mode off	P_{TO}	0,010	kW	Type of energy supply voltage	power reduction		
Standby mode	P_{SB}	0,010	kW				
Guard heating mode	P_{CK}	0,000	kW				
Other items							
Capacity control	VARIABLE			For air/water heat pumps: nominal air output to outside	-	7080	m ³ /h
Indoor/outdoor sound level	L_{WA}	66	dB	For water or brine/water heat pumps: nominal flow of brine or water, outdoor heat exchanger	-	-	m ³ /h
Annual energy consumption	Q_{HE}	5578	kWh or GJ				
For mixed central heating appliances with a heat pump							
Stated load profile	XL			Water central heating energy efficiency	η_{wh}	91,4	%
Daily electrical power consumption	Q_{elec}	8,78	kWh	Daily fuel consumption	Q_{fuel}	-	kWh
Annual energy consumption	AEC	1832	kWh	Annual fuel consumption	AFC	-	GJ
Contact information	Immergas S.p.A. via Cisa Ligure n.95						

INSTALLER

USER

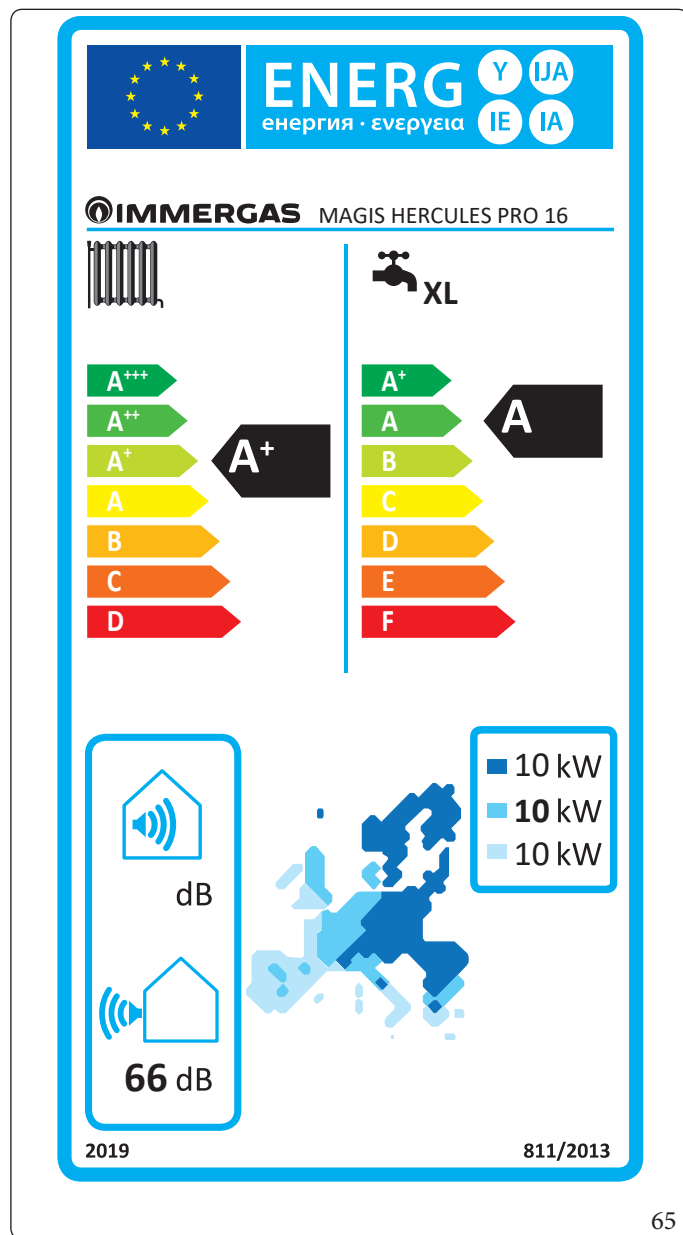
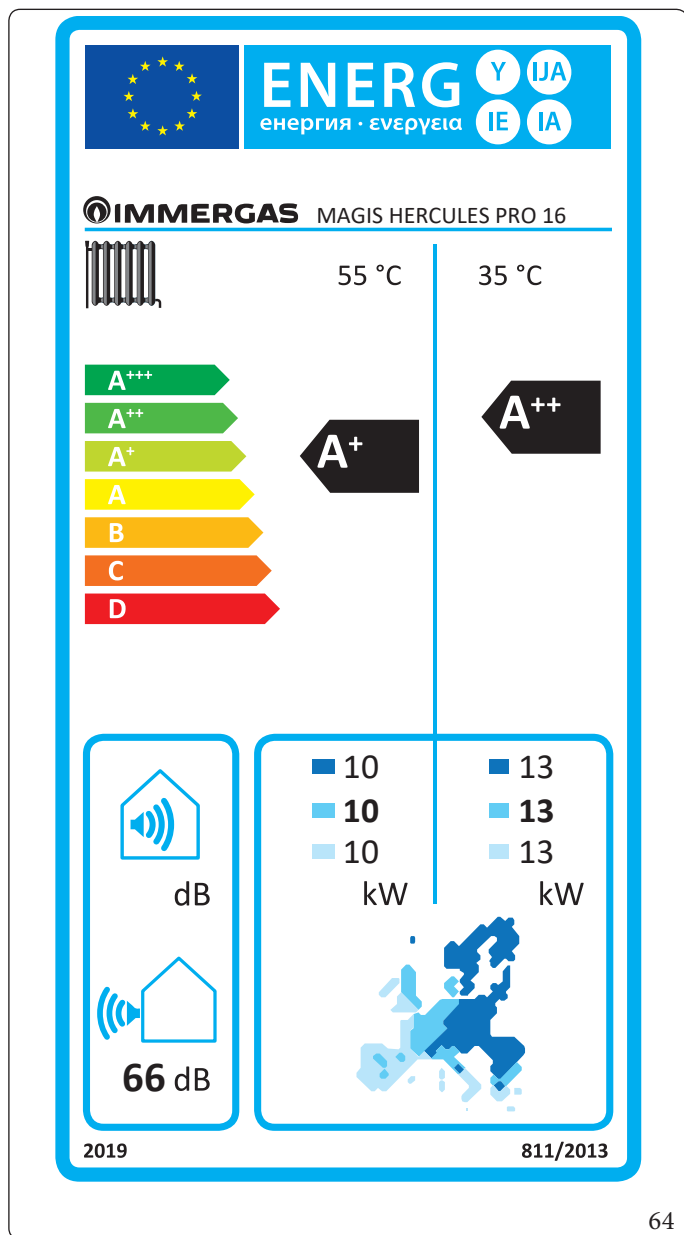
MAINTENANCE TECHNICIAN

TECHNICAL DATA

4.9 MAGIS HERCULES PRO 16 PRODUCT FICHE (IN COMPLIANCE WITH REGULATION 811/2013)

For proper installation of the appliance refer to chapter 1 of this booklet (for the installer) and current installation regulations.

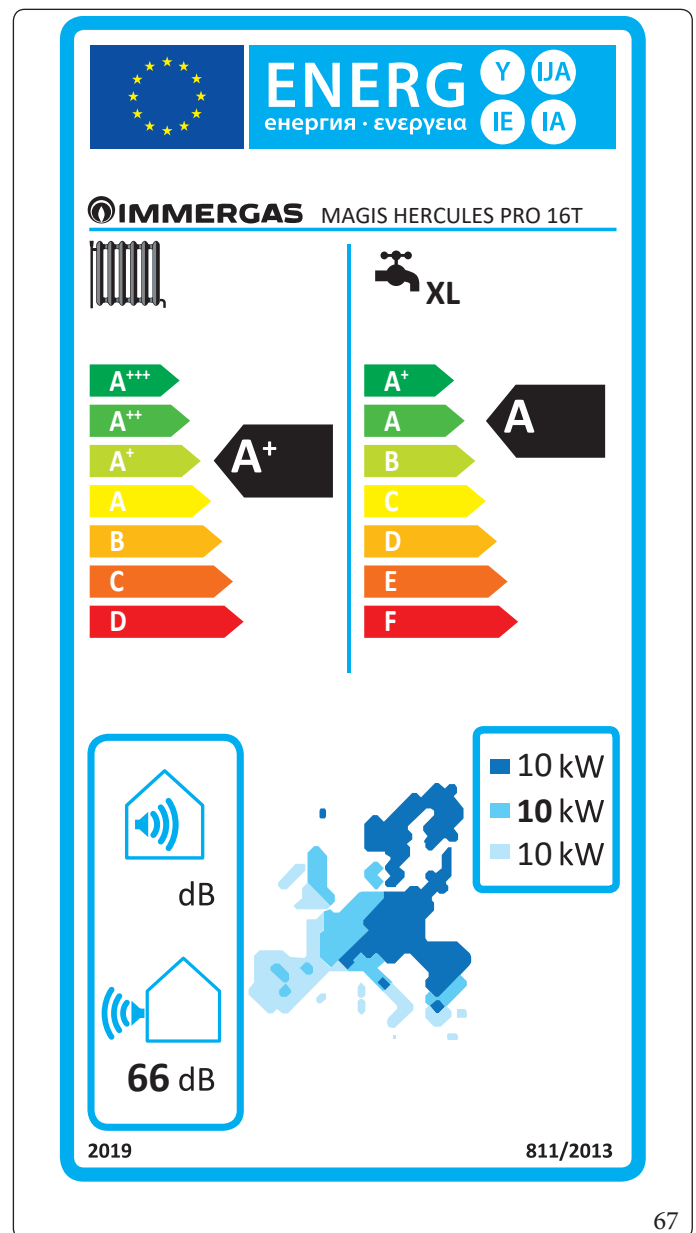
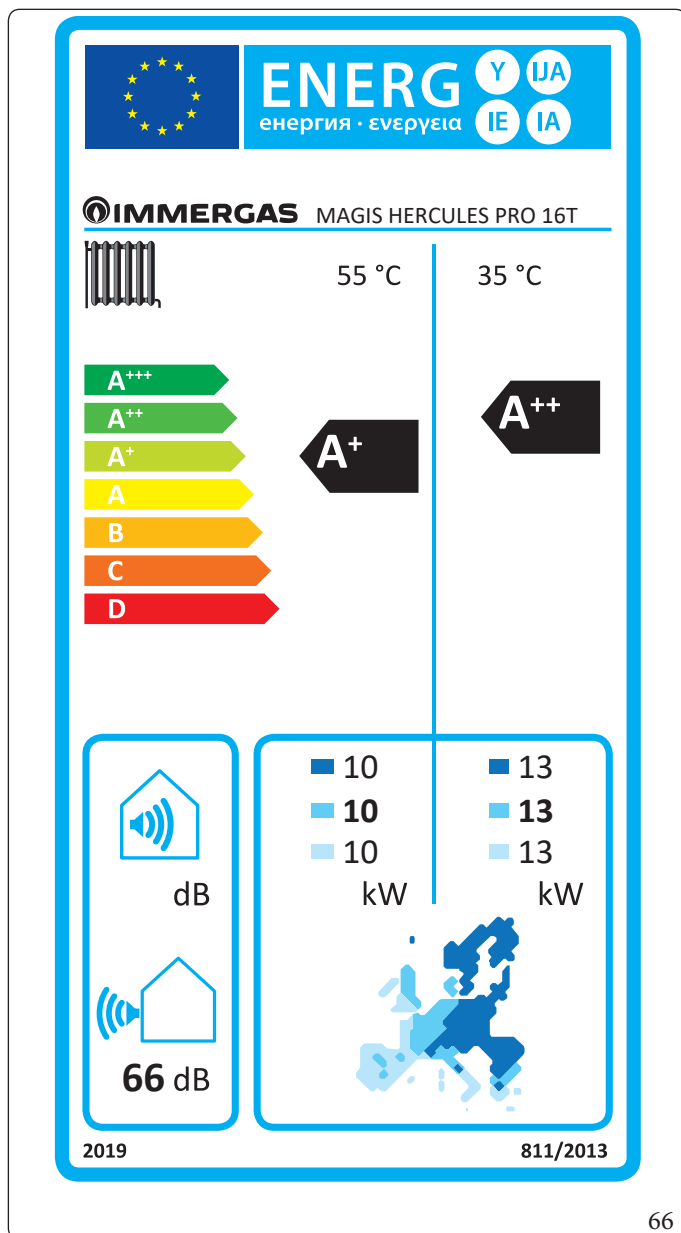
For proper maintenance refer to chapter 3 of this booklet (for the maintenance technician) and adhere to the frequencies and methods set out herein.



4.10 MAGIS HERCULES PRO 16T PRODUCT FICHE (IN COMPLIANCE WITH REGULATION 811/2013)

For proper installation of the appliance refer to chapter 1 of this booklet (for the installer) and current installation regulations.

For proper maintenance refer to chapter 3 of this booklet (for the maintenance technician) and adhere to the frequencies and methods set out herein.



INSTALLER

USER

MAINTENANCE TECHNICIAN

TECHNICAL DATA

4.11 MAGISHERCULES PRO 16-16T PARAMETERS

Parameter	Unit	Value
η_{MW} (energy efficiency)	%	88,9
V40 (water mixed at 40°C)	l	245.8

Low temperature (30/35)

Parameter	Value	Colder zones	Average zones	Hotter zones
		■	■	■
Annual energy consumption for the central heating mode (Q_{HE})	kWh/year	7360	6004	2690
Room central heating seasonal efficiency (η_r)	η_s %	164	169	263
Nominal heat output	kW	13,00	13,00	13,00

Average temperature (47/55)

Parameter	Value	Colder zones	Average zones	Hotter zones
		■	■	■
Annual energy consumption for the central heating mode (Q_{HE})	kWh/year	8984	6970	3383
Room central heating seasonal efficiency (η_r)	η_s %	107	110	161
Nominal heat output	kW	10,00	10,00	10,00

Average temperature table (47/55) average zones

Model		MAGISHERCULES PRO 16 - 16T					
Air/water heat pump	yes	Low temperature heat pump			no		
Water/water heat pump	no	With additional central heating device			no		
Brine/water heat pump	no	Mixed central heating device with heat pump:			no		
The parameters are declared for average temperature application, except for low temperature heat pumps. The parameters for low temperature heat pumps are declared for low temperature application							
The parameters are declared for average climatic conditions							
Element	Symbol	Value	Unit	Element	Symbol	Value	Unit
Nominal heat output	$P_{nomi-nale}$	10,00	kW	Room central heating seasonal energy efficiency	η_s	110	%
Central heating capacity declared with a partial load and indoor temperature equivalent to 20°C and outdoor temperature T_j				Performance coefficient declared with indoor temperature equivalent to 20°C and outdoor temperature T_j			
$T_j = -7\text{ °C}$	P_{dh}	8,4	kW	$T_j = -7\text{ °C}$	COP_{dh}	1,75	-
$T_j = +2\text{ °C}$	P_{dh}	5,1	kW	$T_j = +2\text{ °C}$	COP_{dh}	2,40	-
$T_j = +7\text{ °C}$	P_{dh}	3,3	kW	$T_j = +7\text{ °C}$	COP_{dh}	4,51	-
$T_j = +12\text{ °C}$	P_{dh}	1,7	kW	$T_j = +12\text{ °C}$	COP_{dh}	6,67	-
$T_j =$ bivalent temperature	P_{dh}	8,4	kW	$T_j =$ bivalent temperature	COP_{dh}	1,75	-
$T_j =$ operating limit temperature	P_{dh}	9,5	kW	$T_j =$ operating limit temperature	COP_{dh}	1,56	-
for air/water heat pumps: $T_j = -15\text{ °C}$ (se TOL < -20 °C)	P_{dh}	-	kW	for air/water heat pumps: $T_j = -15\text{ °C}$ (se TOL < -20 °C)	COP_{dh}	-	-
Bivalent temperature	T_{biv}	-7	°C	for air/water heat pumps: Operating limit temperature	TOL	-10	°C
Central heating capacity cycle intervals	P_{cyc}	-	kW	Cycle intervals efficiency	COP_{cyc} o PER_{cyc}	-	-
Degradation coefficient	C_{dh}	0,9	-	Water heating temperature operating limit	WTOL	55	°C
Different mode of energy consumption from the active mode				Additional heating appliance			
OFF mode	P_{OFF}	0,010	kW	Nominal heat output	P_{sup}	-	kW
Thermostat mode off	P_{TO}	0,010	kW	Type of energy supply voltage	power reduction		
Standby mode	P_{SB}	0,010	kW				
Guard heating mode	P_{CK}	0,000	kW				
Other items							
Capacity control	VARIABLE			For air/water heat pumps: nominal air output to outside	-	7080	m ³ /h
Indoor/outdoor sound level	L_{WA}	66	dB	For water or brine/water heat pumps: nominal flow of brine or water, outdoor heat exchanger	-	-	m ³ /h
Annual energy consumption	Q_{HE}	6970	kWh or GJ				
For mixed central heating appliances with a heat pump							
Stated load profile	XL			Water central heating energy efficiency	η_{wh}	88,9	%
Daily electrical power consumption	Q_{elec}	9,01	kWh	Daily fuel consumption	Q_{fuel}	-	kWh
Annual energy consumption	AEC	1884	kWh	Annual fuel consumption	AFC	-	GJ
Contact information	Immergas S.p.A. via Cisa Ligure n.95						

INSTALLER

USER

MAINTENANCE TECHNICIAN

TECHNICAL DATA

4.12 PARAMETERS FOR FILLING IN THE PACKAGE FICHE

Should you wish to install an assembly starting from the Magis Hercules Pro package, use the package fiche shown in (Fig. 69). To complete it properly, fill the relevant spaces (as shown in the package fiche facsimile Fig. 68) with the values shown in tables "Parameters to fill in the low temperature package fiche (30/35)", "Parameters to fill in the average temperature package fiche (47/55)".

The remaining values must be obtained from the technical data sheets of the products used to make up the assembly (e.g. solar devices, integration heat pumps, temperature controllers). Use sheet (Fig. 69) "assemblies" related to the central heating function (e.g.: heat pump + temperature controller).



Since the product is standard supplied with a temperature controller, the package fiche must always be completed.

Facsimile for filling in the package fiche for room central heating systems.

Room central heating seasonal energy efficiency of the heat pump [] %

Temperature control From temperature control board + [] %

Class I = 1 %, Class II = 2 %,
 Class III = 1.5 %, Class IV = 2 %,
 Class V = 3 %, Class VI = 4 %,
 Class VII = 3.5 %, Class VIII = 5 %

Supplementary boiler From boiler board [] %

Seasonal central heating energy efficiency of the room (%)

([] - 'I') x "II" = - [] %

Solar contribution
From the board of the solar device + [] %

Dimensions of the manifold (in m²)

Volume of the tank (in m³)

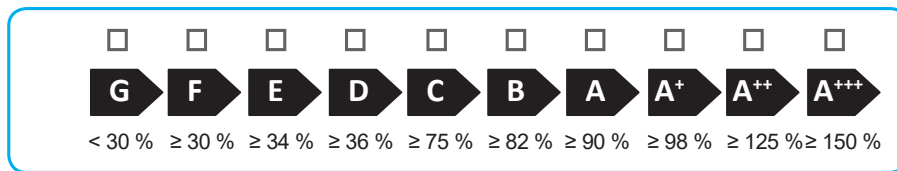
Efficiency of the manifold (in %)

Classification of the tank
A* = 0.95, A = 0.91,
B = 0.86, C = 0.83,
D-G = 0.81

('III' x [] + 'IV' x []) x 0.45 x ([] / 100) x [] = + [] %

Room central heating seasonal energy efficiency of the assemble in average climate conditions [] %

Room central heating seasonal energy efficiency class of the assemble in average climate conditions



Room central heating seasonal energy efficiency in colder and hotter climate conditions

Colder: [] - 'V' = [] % Hotter: [] + 'VI' = [] %

The energy efficiency of the set of products indicated in this sheet may not reflect the actual energy efficiency after installation since such efficiency is affected by additional factors, such as the heat loss in the distribution system and the size of the products compared to the size and features of the building.

Parameters to fill in the low temperature package fiche (30/35)

Magis Hercules PRO 12- 12T

Parameter	Colder zones	Average zones	Hotter zones
	■	■	■
"I"	164	175	260
"II"	*	*	*
"III"	2,43	2,43	2,43
"IV"	0,95	0,95	0,95

Magis Hercules PRO 14- 14T

Parameter	Colder zones	Average zones	Hotter zones
	■	■	■
"I"	164	175	260
"II"	*	*	*
"III"	2,43	2,43	2,43
"IV"	0,95	0,95	0,95

Magis Hercules PRO 16- 16T

Parameter	Colder zones	Average zones	Hotter zones
	■	■	■
"I"	164	169	263
"II"	*	*	*
"III"	2,06	2,06	2,06
"IV"	0,80	0,80	0,80

* to be determined according to Regulation 811/2013 and transient calculation methods as per Notice of the European Community no. 207/2014.

Parameters to fill in the average temperature package fiche (47/55)

Magis Hercules PRO 12- 12T

Parameter	Colder zones	Average zones	Hotter zones
	■	■	■
"I"	106	116	158
"II"	*	*	*
"III"	3,34	3,34	3,34
"IV"	1,31	1,31	1,31

Magis Hercules PRO 14- 14T

Parameter	Colder zones	Average zones	Hotter zones
	■	■	■
"I"	106	116	158
"II"	*	*	*
"III"	3,34	3,34	3,34
"IV"	1,31	1,31	1,31

Magis Hercules PRO 16- 16T

Parameter	Colder zones	Average zones	Hotter zones
	■	■	■
"I"	107	110	161
"II"	*	*	*
"III"	2,67	2,67	2,67
"IV"	1,05	1,05	1,05

* to be determined according to Regulation 811/2013 and transient calculation methods as per Notice of the European Community no. 207/2014.

INSTALLER

USER

MAINTENANCE TECHNICIAN

TECHNICAL DATA

Room central heating system package fiche.

INSTALLER

Room central heating seasonal energy efficiency of the heat pump

%

Temperature control
From temperature
control board

Class I = 1 %, Class II = 2 %,
Class III = 1.5 %, Class IV = 2 %,
Class V = 3 %, Class VI = 4 %,
Class VII = 3.5 %, Class VIII = 5 %

+ %

USER

Supplementary boiler
From boiler board

Seasonal central heating energy efficiency of the room (%)

(- _____) x _____ = - %

Solar contribution

From the board of the solar device

Dimensions of the manifold (in m²)

Volume of the tank (in m³)

Efficiency of the manifold (in %)

Classification of the tank
A* = 0.95, A = 0.91,
B = 0.86, C = 0.83,
D-G = 0.81

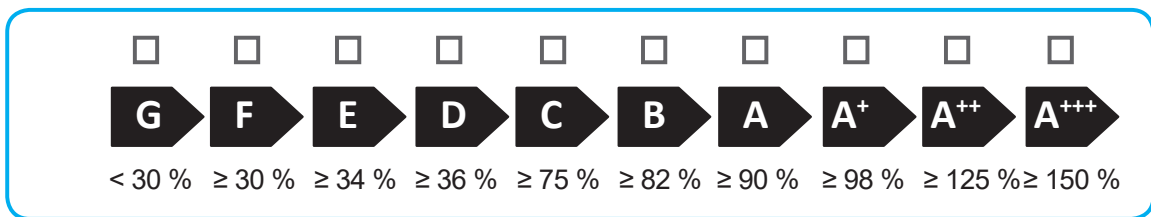
(___ x + ___ x) x 0.45 x (/ 100) x = + %

MAINTENANCE TECHNICIAN

Room central heating seasonal energy efficiency of the assemble in average climate conditions

%

Room central heating seasonal energy efficiency class of the assemble in average climate conditions



TECHNICAL DATA

Room central heating seasonal energy efficiency in colder and hotter climate conditions

Colder: - ___ = %

Hotter: + ___ = %

The energy efficiency of the set of products indicated in this sheet may not reflect the actual energy efficiency after installation since such efficiency is affected by additional factors, such as the heat loss in the distribution system and the size of the products compared to the size and features of the building.



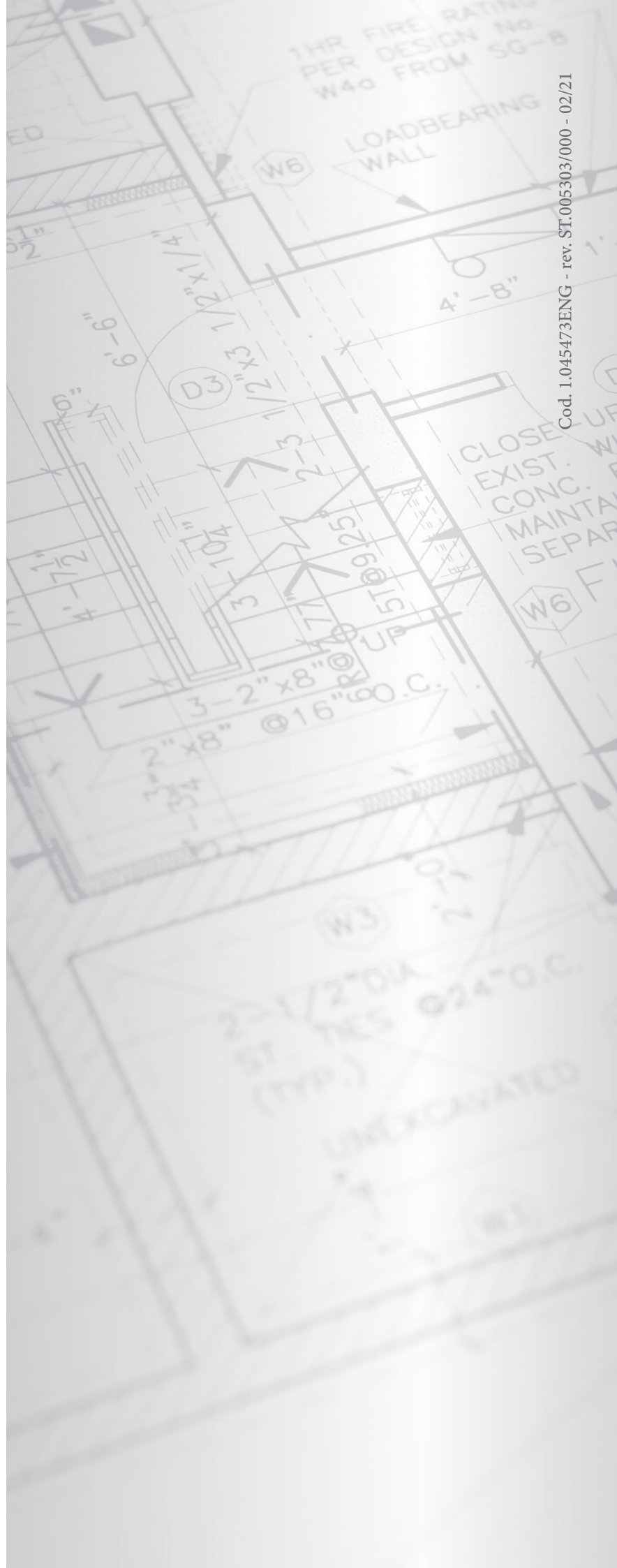


This instruction booklet is made of ecological paper.



immergas.com

Immergas S.p.A.
42041 Brescello (RE) - Italy
Tel. 0522.689011
Fax 0522.680617



Cod. 1.045473ENG - rev. ST.005303/000 - 02/21