

# Thermostat Instruction Sheet

## TH-HWC2 Stand-Alone Controller

See thermostat manufacturer's instructions for specific information or requirements.

The TH-HWC2 stand-alone controller is ideal for any application requiring remote temperature, pressure, or humidity control.

### TH-HWC2 Specifications

**Power:** 24, 120 or 240VAC; 50/60 Hz. A separate earth ground is required for any power source.

**Power Consumption:** 8VA max at 60 Hz., 10VA max at 50 Hz.

**Relative Humidity:** 5% to 95% non-condensing.

**Modulating Outputs:**

**Sensed Temp. Limits:** -60°F (-51°C) Min.; 270°F (132°) Max.

**Dimensions:** 8-5/32"H X 4-13/32"W x 2-15/16"D.

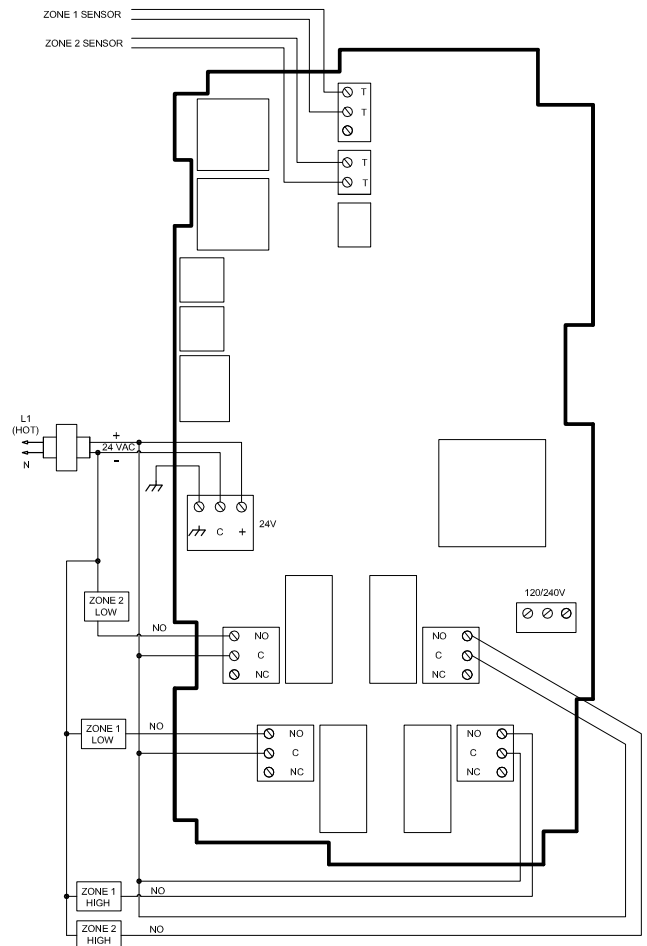
Field mountable in any orientation to either a panel or wall.

**Additional Features:** Nema 4X enclosure, graphical interface, keypad lockout, up to two modulating outputs, high/low limit control, sensor calibration, high setpoint limit.

Figure 1 • TH-HWC2 Operating Controller



Figure 2 • TH-HWC2 Thermostat Wiring



### WARNING



To avoid electrical shock or damage to equipment, disconnect all power before installing or servicing.

### Installation Instructions

- 1 Remove cover of thermostat from base.
- 2 Disconnect the power source to the appliance(s).
- 3 Locate in an area with good air circulation (no outside walls).
- 4 Install the thermostat 4 to 5 feet above floor level.
- 5 Loosen the terminal screws on the sub base and connect the system wires (see Figure 2).
- 6 Securely tighten each terminal screw, then push excess wire into the hole or conduit box.
- 7 Replace the cover onto base.