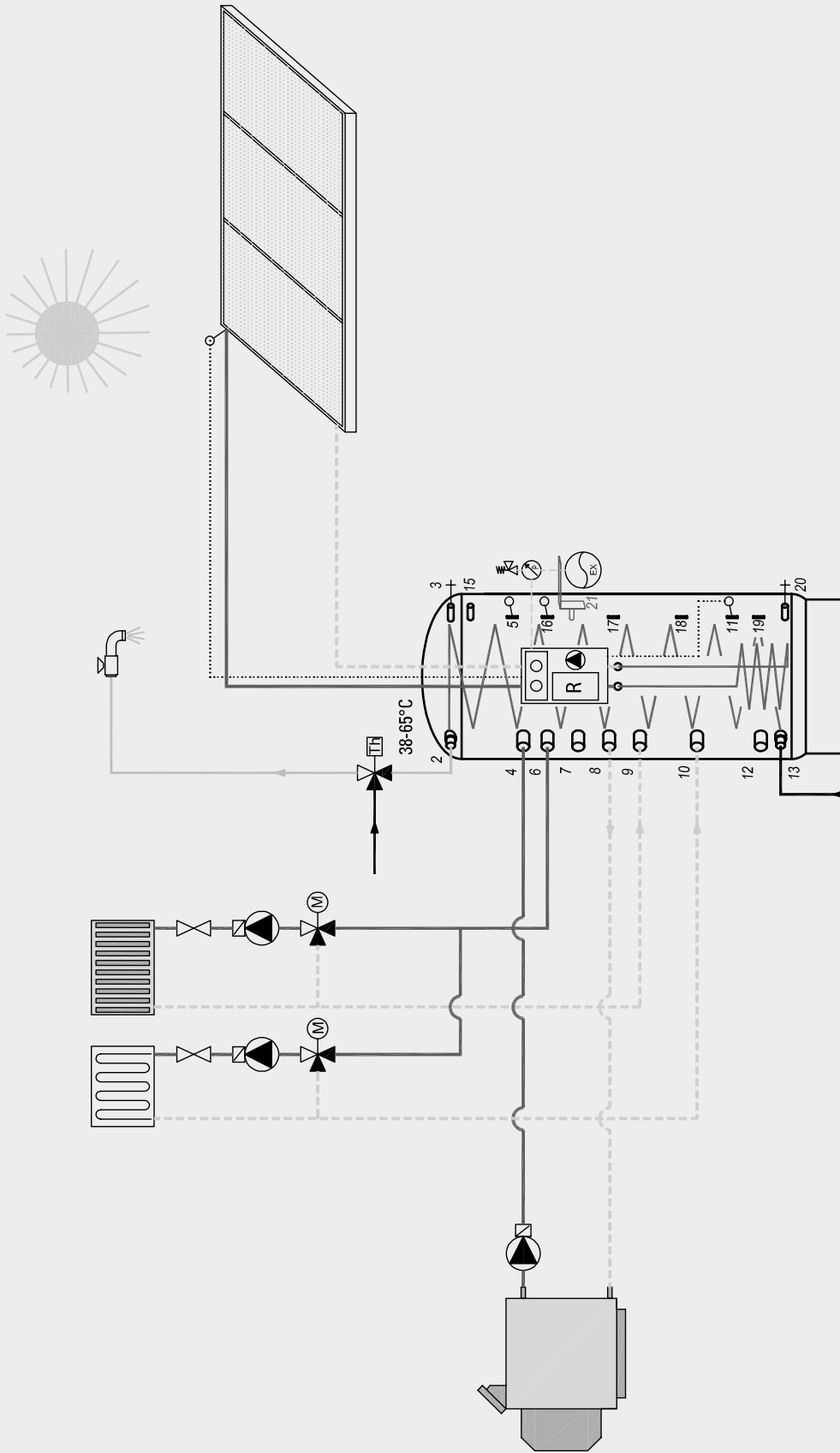


# FS/1R FRESH WATER TANK

**DIAGRAM 1**



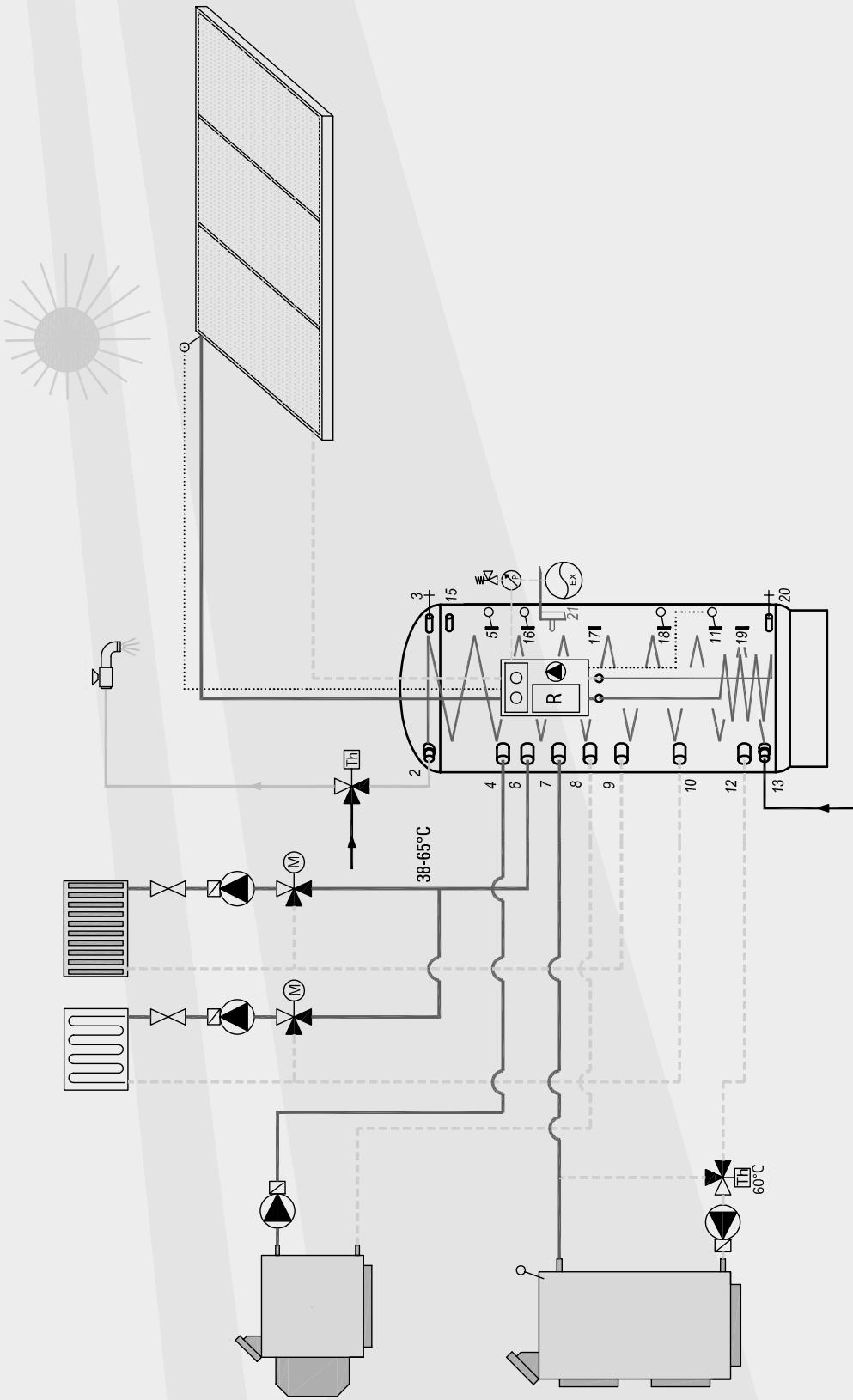
TiSUN hydraulic schematic:  
**Solar system with FS/1R fresh water tank combined with a gas/oil/pellet boiler**

- |  |                               |  |                                      |
|--|-------------------------------|--|--------------------------------------|
|  | Heating forward flow/Solar VL |  | Sensor                               |
|  | Heating return flow/Solar RL  |  | Blocking valve                       |
|  | Control                       |  | Three-way control valve/mixing valve |
|  | Hot water                     |  | Domestic hot water mixing valve      |
|  | Cold water                    |  | Thermometer, pressure gauge          |
|  | Circulation                   |  | Priority flap                        |
|  | Corrugated connection pipe    |  | Control unit                         |

Note: This TiSUN hydraulic schematic is an example and by no means replaces a specific, professional system planning!

# FS/1R FRESH WATER TANK

## DIAGRAM 2



TiSUN hydraulic schematic:

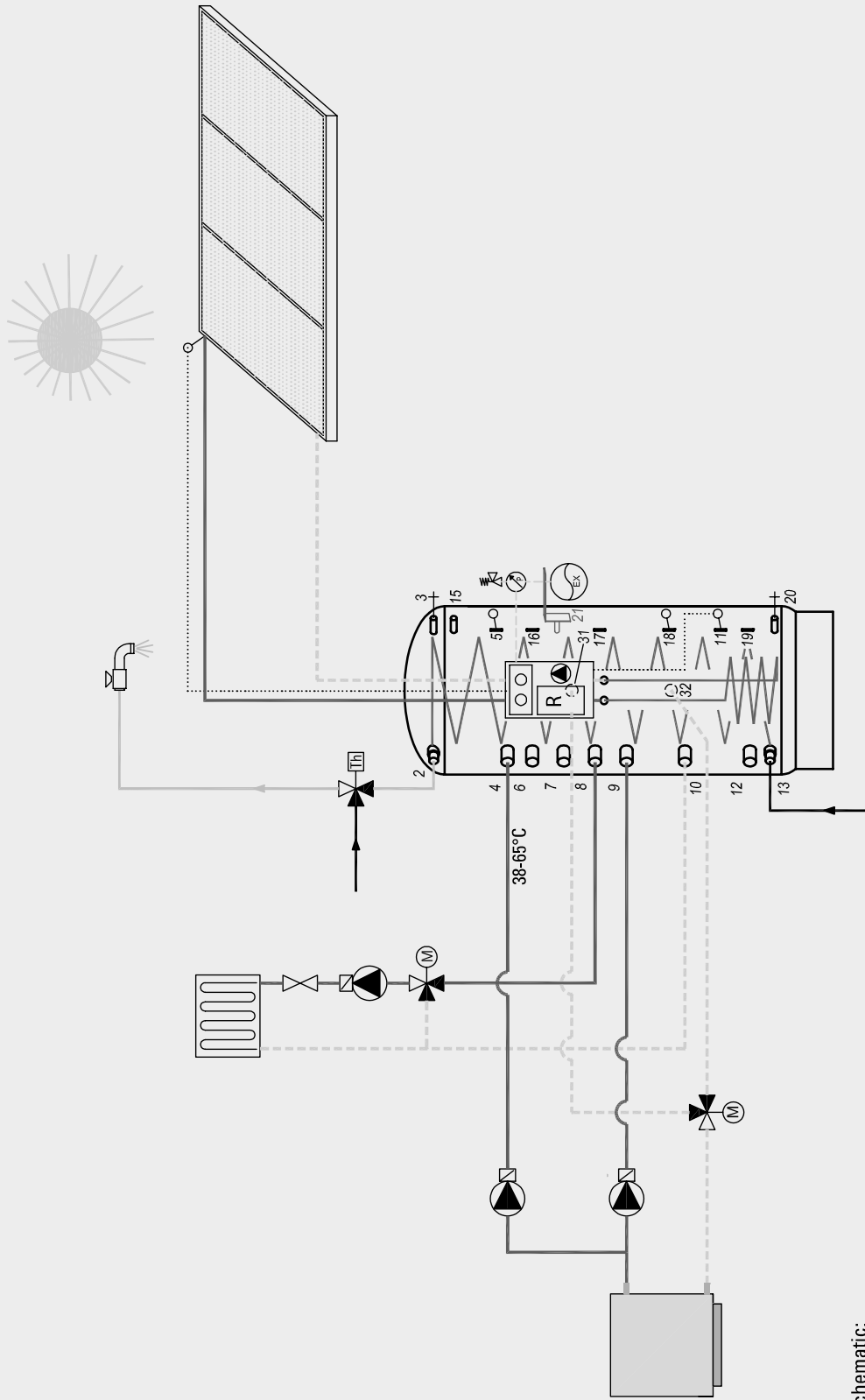
### Solar system with FS/1R fresh water tank combined with a gas/oil/pellet boiler and a solid fuel boiler

- |           |                               |   |                             |   |                                      |
|-----------|-------------------------------|---|-----------------------------|---|--------------------------------------|
| —         | Heating forward flow/Solar VL | ☐ | Check flap                  | ○ | Sensor                               |
| - - -     | Heating return flow/Solar RL  | ⊙ | Circulation pump            | ⊘ | Blocking valve                       |
| ⋯         | Control                       | ⊚ | Pressure relief valve       | ⊗ | Three-way control valve/mixing valve |
| —         | Hot water                     | ⊙ | Thermometer, pressure gauge | ⊗ | Domestic hot water mixing valve      |
| —         | Cold water                    | ⊙ | Priority flap               | R | Control unit                         |
| - · - · - | Corrugated connection pipe    |   |                             |   |                                      |

Note: This TiSUN hydraulic schematic is an example and by no means replaces a specific, professional system planning!

# FS/1R FRESH WATER TANK

DIAGRAM 3



TiSUN hydraulic schematic:

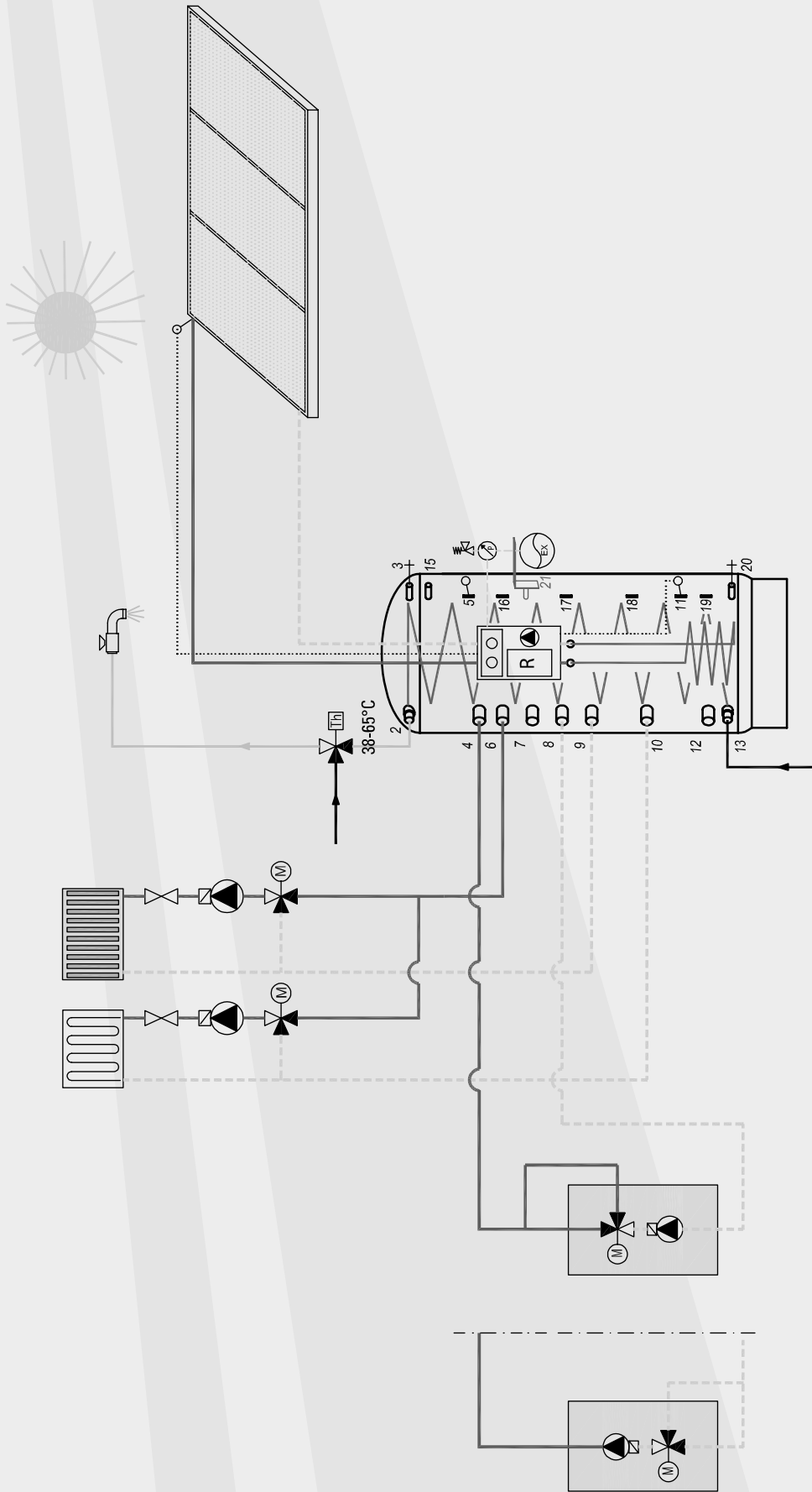
**Solar system with FS/1R fresh water tank combined with a heat pump**

- Heating forward flow/Solar VL
- - - Heating return flow/Solar RL
- ..... Control
- Hot water
- Cold water
- Circulation
- . . . Corrugated connection pipe
- Check flap
- Circulation pump
- ⊕ Pressure relief valve
- ⊕ Thermometer, pressure gauge
- ⊕ Priority flap
- Sensor
- ⊗ Blocking valve
- ⊕ Three-way control valve/mixing valve
- ⊕ Domestic hot water mixing valve
- R Control unit

Note: This TiSUN hydraulic schematic is an example and by no means replaces a specific, professional system planning!

# FS/1R FRESH WATER TANK

DIAGRAM 4



TiSUN hydraulic schematic:

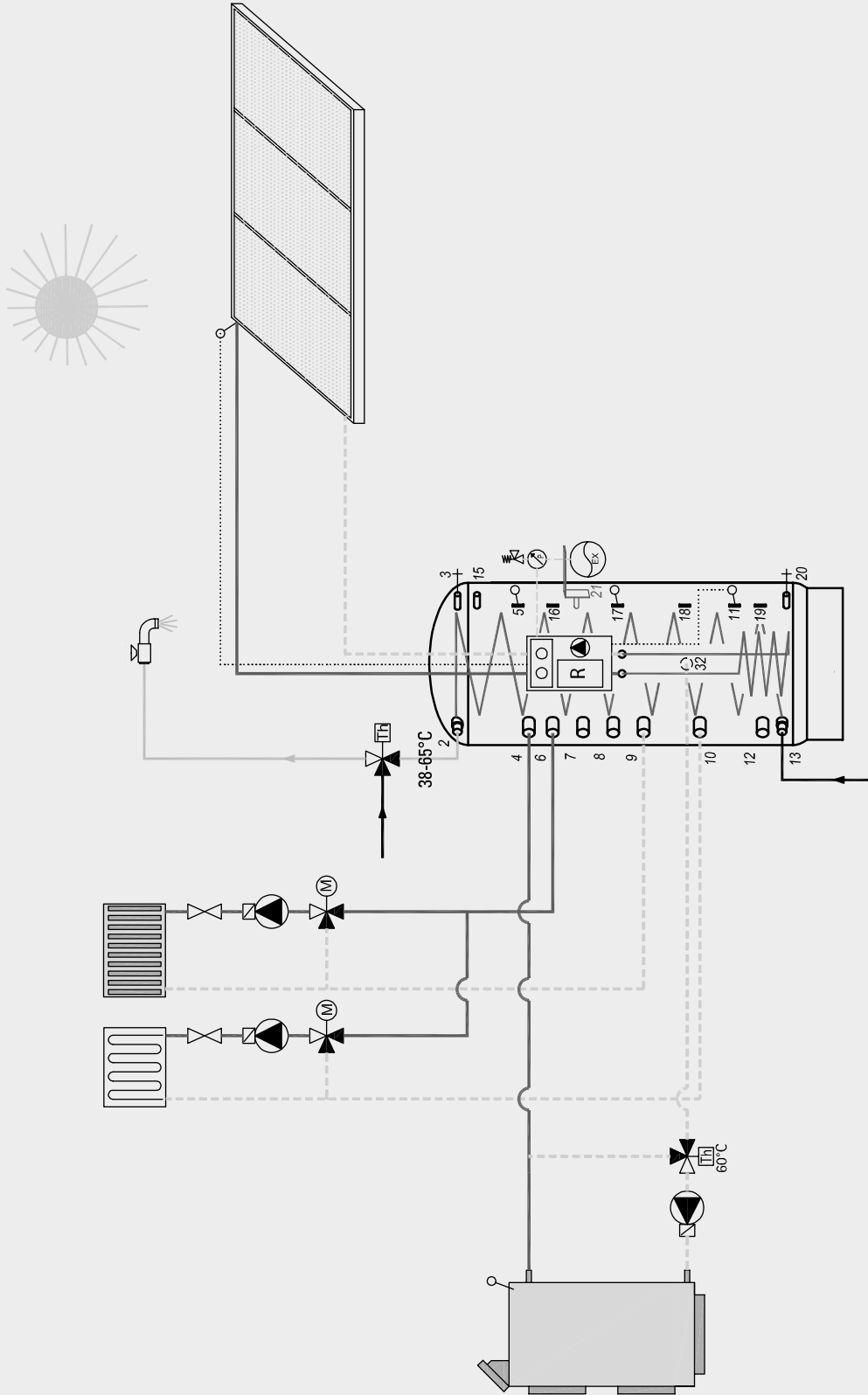
## Solar system with FS/1R fresh water tank combined with a condensing system

- |         |                               |   |                             |   |                                      |
|---------|-------------------------------|---|-----------------------------|---|--------------------------------------|
| —       | Heating forward flow/Solar VL | ☐ | Check flap                  | ○ | Sensor                               |
| - - -   | Heating return flow/Solar RL  | ⊙ | Circulation pump            | ∞ | Blocking valve                       |
| ⋯       | Control                       | ⊕ | Pressure relief valve       | ⊙ | Three-way control valve/mixing valve |
| —       | Hot water                     | ⊕ | Thermometer, pressure gauge | ⊕ | Domestic hot water mixing valve      |
| —       | Cold water                    | ⊕ | Priority flap               | R | Control unit                         |
| - · - · | Circulation                   |   |                             |   |                                      |
| - · - · | Corrugated connection pipe    |   |                             |   |                                      |

Note: This TiSUN hydraulic schematic is an example and by no means replaces a specific, professional system planning!

# FS/1R FRESH WATER TANK

**DIAGRAM 5**



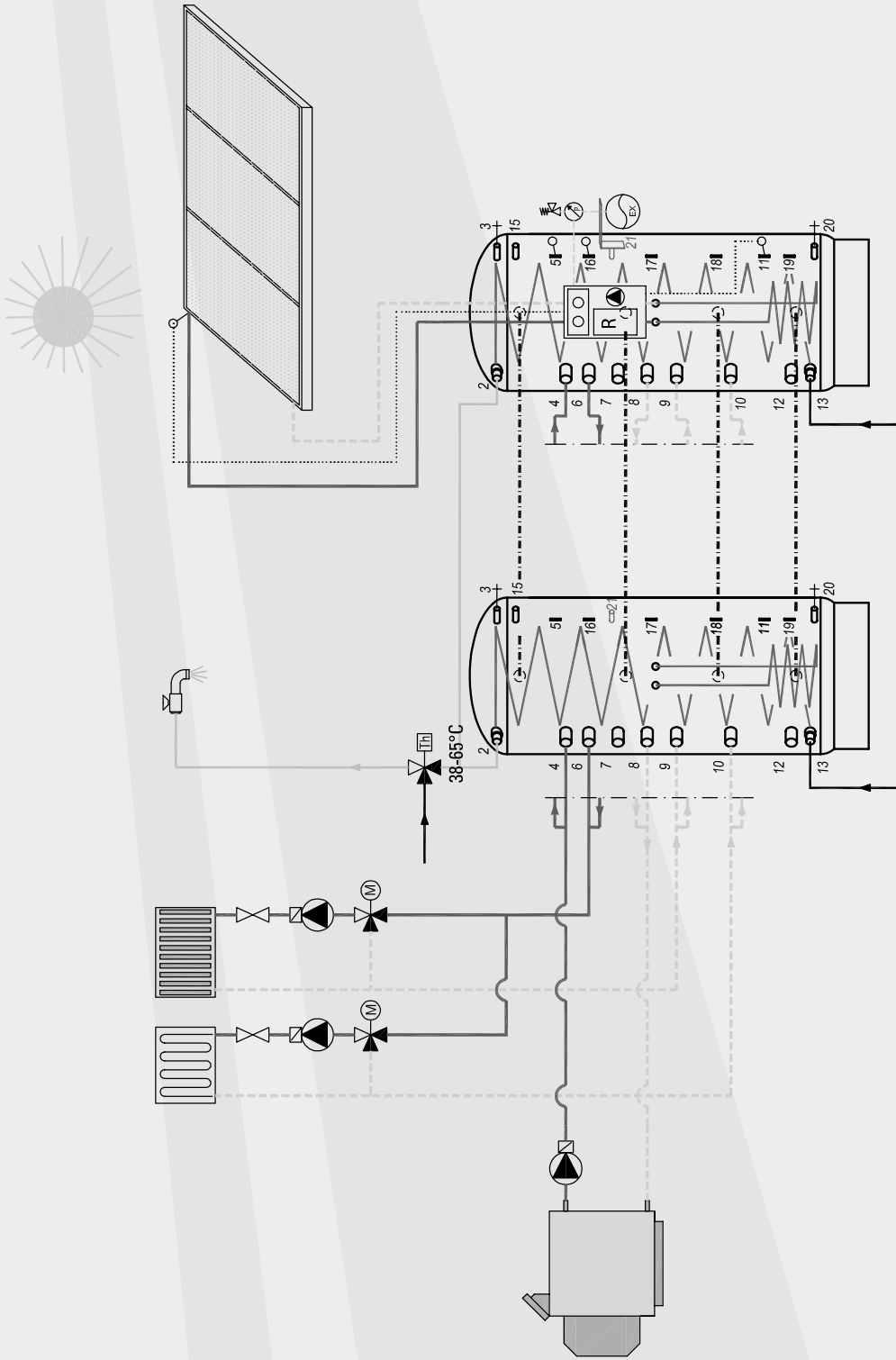
TiSUN hydraulic schematic:  
**Solar system with FS/1R fresh water tank combined with a solid fuel boiler**

- Heating forward flow/Solar VL
- - - Heating return flow/Solar RL
- ..... Control
- Hot water
- Cold water
- Circulation
- . . . Corrugated connection pipe
- Check flap
- Circulation pump
- ⊘ Pressure relief valve
- ⊘ Thermometer, pressure gauge
- ⊘ Priority flap
- Sensor
- ⊘ Blocking valve
- ⊘ Three-way control valve/mixing valve
- ⊘ Domestic hot water mixing valve
- R Control unit

Note: This TiSUN hydraulic schematic is an example and by no means replaces a specific, professional system planning!

# FS/1R FRESH WATER TANK

## DIAGRAM 6



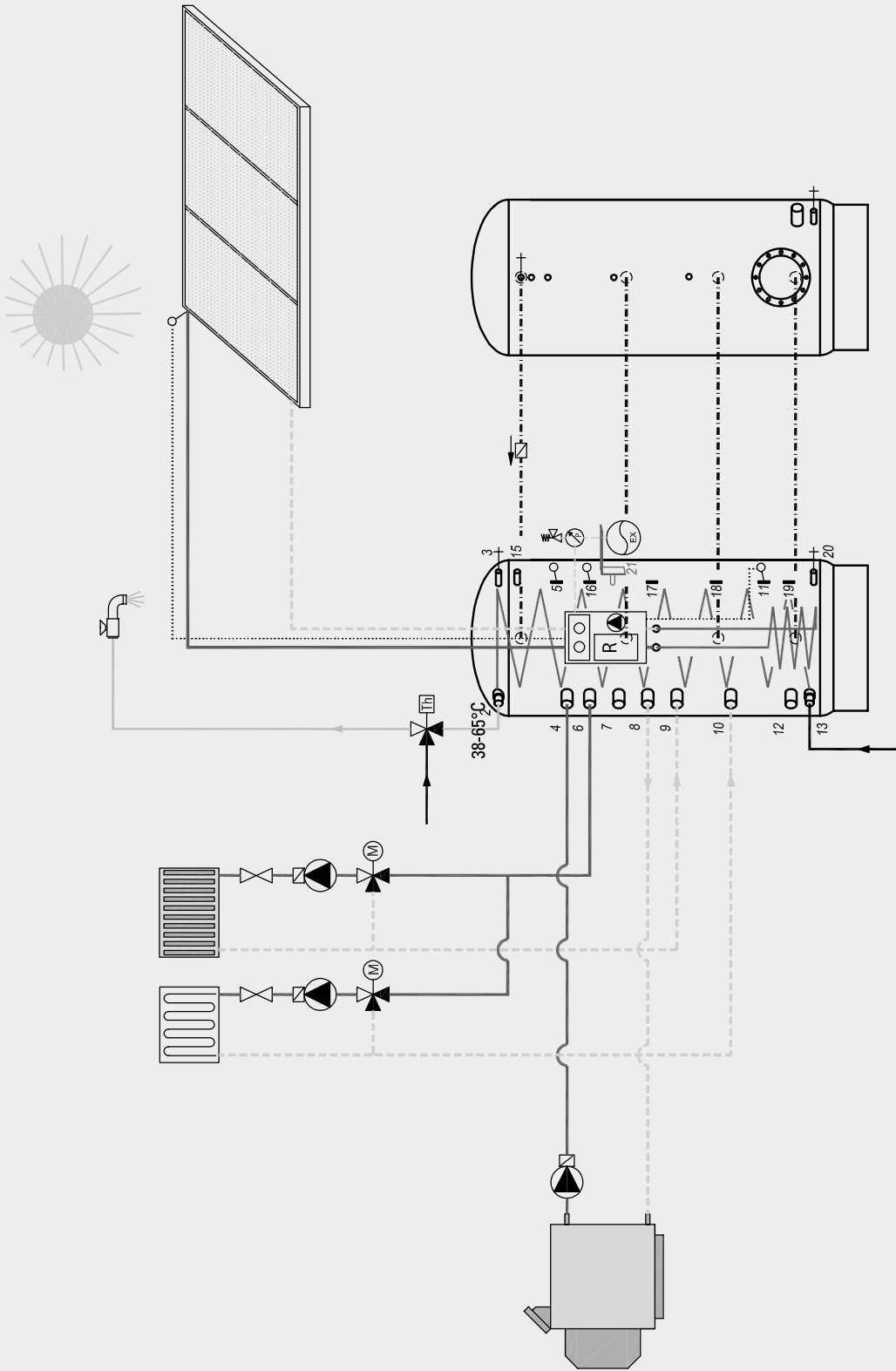
TiSUN hydraulic schematic:  
**Solar system with FS/1R fresh water tank combined with a solid fuel boiler**

- |           |                               |   |                             |   |                                      |
|-----------|-------------------------------|---|-----------------------------|---|--------------------------------------|
| —         | Heating forward flow/Solar VL | ☐ | Check flap                  | ○ | Sensor                               |
| - - -     | Heating return flow/Solar RL  | ⊙ | Circulation pump            | ⊗ | Blocking valve                       |
| ⋯         | Control                       | ⊕ | Pressure relief valve       | ⊗ | Three-way control valve/mixing valve |
| —         | Hot water                     | ⊕ | Thermometer, pressure gauge | ⊗ | Domestic hot water mixing valve      |
| —         | Cold water                    | ⊕ | Priority flap               | R | Control unit                         |
| - - -     | Circulation                   |   |                             |   |                                      |
| - · - · - | Corrugated connection pipe    |   |                             |   |                                      |

Note: This TiSUN hydraulic schematic is an example and by no means replaces a specific, professional system planning!

# FS/1R FRESH WATER TANK

DIAGRAM 7



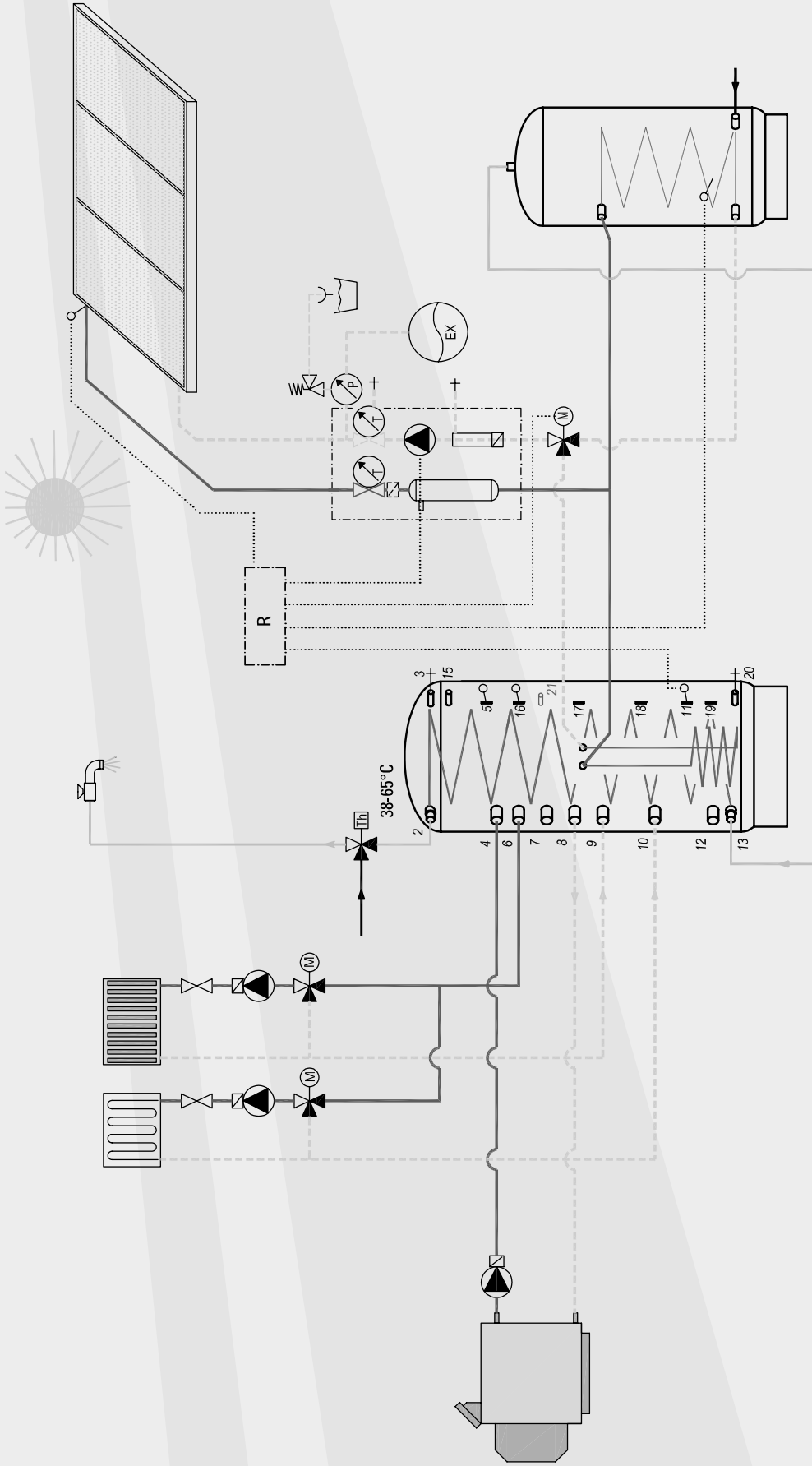
TiSUN hydraulic schematic:  
**Solar system with FS/1R fresh water tank and one PS backup tank connected in parallel combined with a gas/oil/pellet boiler**

- Heating forward flow/Solar VL
- - - Heating return flow/Solar RL
- ..... Control
- Hot water
- Cold water
- Circulation
- . . . Corrugated connection pipe
- ◻ Check flap
- ◼ Circulation pump
- ⊗ Pressure relief valve
- ⊗ Thermometer, pressure gauge 38°-65°C
- ⊗ Priority flap
- Sensor
- ⊗ Blocking valve
- ⊗ Three-way control valve/mixing valve
- ⊗ Domestic hot water mixing valve
- R Control unit

Note: This TiSUN hydraulic schematic is an example and by no means replaces a specific, professional system planning!

# FS/1R FRESH WATER TANK

DIAGRAM 8



TiSUN hydraulic schematic:  
**Solar system with FS/1R fresh water tank and an (existing) hot water tank connected in series combined with a gas/oil/pellet boiler**

- Heating forward flow/Solar VL
- - - Heating return flow/Solar RL
- ..... Control
- Hot water
- Cold water
- Circulation
- . - . Corrugated connection pipe
- ☐ Check flap
- ☉ Circulation pump
- ☹ Pressure relief valve
- ☉ Thermometer, pressure gauge  
38°-65°C
- ☐ Priority flap
- Sensor
- ☒ Blocking valve
- ☉ Three-way control valve/mixing valve
- ☉ Domestic hot water mixing valve
- R Control unit

Note: This TiSUN hydraulic schematic is an example and by no means replaces a specific, professional system planning!