

MAXIMUM

**Instructions and warnings** **IE**  
Installer  
Maintenance technician

\*1.042909ENG\*



STD.005726/000



**ARES 150 TEC ERP**  
**ARES 200 TEC ERP**  
**ARES 250 TEC ERP**  
**ARES 300 TEC ERP**  
**ARES 350 TEC ERP**

Modular condensing boiler





Warning this manual contains the exclusive instructions for use for professionally qualified installers and/or maintenance technicians, in compliance with laws in force.

The individual in charge of the system is NOT authorised to work on the boiler.

The manufacturer will not be held liable in the case of damage to people, animals or property due to the failure to observe the instructions contained in the manuals supplied with the boiler

## INDEX

<b>1 General information.....</b>	<b>4</b>	3.5 Connecting the boiler .....	21
1.1 Symbols used in the manual.....	4	3.6 Gas connection.....	22
1.2 Compliant use of the appliance.....	4	3.7 System flow and return pipe connection.....	23
1.3 Information to be provided to the user .....	4	3.8 Additional safety, protection and control devices .....	24
1.4 Safety warnings .....	5	3.9 Determining the primary circuit pump or boiler pump .....	26
1.5 Regulations for installation.....	6	3.10 Condensate drain.....	27
1.6 Installation .....	6	3.11 Connecting the flue .....	28
1.7 Water treatment .....	7	3.12 Flue exhaust manifold connection .....	28
1.8 General warnings.....	8	3.13 Electrical connections .....	30
<b>2 Technical characteristics and dimensions.....</b>	<b>9</b>	3.14 Connection diagram .....	33
2.1 Technical characteristics .....	9	3.15 Practical connection diagram .....	37
2.2 Internal view with indications of main components .....	10	3.16 System filling and emptying .....	39
2.3 Dimensions.....	12	3.17 Boiler frost protection .....	39
2.4 Operating data / general characteristics .....	13	3.18 Check the adjustment of the pressure to the burner.....	40
2.5 Technical parameters for combination boilers (in compliance with Regulation 813/2013).....	14	3.19 Emergency and safety operations .....	42
<b>3 Instructions for installation .....</b>	<b>17</b>	3.20 First ignition.....	43
3.1 General recommendations .....	17	<b>4 Inspections and maintenance .....</b>	<b>44</b>
3.2 Packaging .....	18	4.1 Instructions for inspection and maintenance .....	44
3.3 Removing the boiler from the pallet and putting on the feet.....	19	4.2 Programming the operation parameters .....	50
3.4 Positioning the heating control unit.....	20	4.3 BMM. parameters.....	51
		4.4 BCM. parameters.....	52
		4.5 Error code .....	53



### Instructions on how to correctly dispose of the product.

At the end of its life, this appliance must not be disposed of as mixed municipal waste.

It is mandatory to separate this type of waste so that the materials making up the appliance can be recycled and reused. Contact authorised operators for disposal of this type of appliance. Incorrect management of waste and its disposal has potential negative effects on the environment and on human health. The symbol on the appliance represents the prohibition of disposing of the product as mixed municipal waste.

The company **IMMERGAS S.p.A.**, with registered office in via Cisa Ligure 95 42041 Brescello (RE), declares that the design, manufacturing and after-sales assistance processes comply with the requirements of standard **UNI EN ISO 9001:2015**.

For further details on the product CE marking, request a copy of the Declaration of Conformity from the manufacturer, specifying the appliance model and the language of the country.

The manufacturer declines all liability due to printing or transcription errors, reserving the right to make any modifications to its technical and commercial documents without forewarning.

# 1 GENERAL INFORMATION

## 1.1 SYMBOLS USED IN THE MANUAL

When reading this manual, pay special attention to the parts marked with these symbols:



**DANGER!**  
Serious danger to  
safety and life



**ATTENTION!**  
Possibly dangerous  
situation for the product  
and environment



**NOTE!**  
Tips for the user



**DANGER!**  
Scalding hazard!



**OBLIGATION!**  
Wear protective  
gloves

---

## 1.2 COMPLIANT USE OF THE APPLIANCE



The ARES Tec appliance was built based on the current technical level and recognised technical safety rules. Nevertheless, following improper use the safety and life of the user or other people may be exposed to danger, i.e. damage to the appliance or other objects.  
The appliance is designed for operation in hot water circulating heating systems.  
Any other use is considered improper.  
Immergas will not be held liable for any damage resulting from improper use.  
Any use in accordance with the envisioned purposes includes the strict observance of the instructions in this manual.

---

## 1.3 INFORMATION TO BE PROVIDED TO THE USER



The user must be instructed in the use and operation of his/her heating system, in particular:

- Deliver these instructions to the user, as well as the other documents relative to the appliance contained in the packaging in an envelope. **The user must keep this documentation safe so that it is available for future consultation.**
- Inform the user of the importance of aeration vents and the flue exhaust system, highlighting how essential they are and how it is strictly forbidden to change them.
- Inform the user on how to control the water pressure in the system as well as the operations required to restore it.
- Inform the user on how to correctly regulate the temperature, control units/thermostats and radiators in order to save energy.
- Remember it is compulsory to carry out regular maintenance on the system once a year and a combustion analysis every two years (as per national legislation).
- If the appliance is sold or transferred to another owner or if the owner moves, leaving the appliance behind, always ensure the manual accompanies the appliance so that it may be consulted by the new owner and/or installer.

**The manufacturer will not be held liable in the case of damage to people, animals or property due to the failure to observe the instructions contained in this manual.**

## 1.4 SAFETY WARNINGS

**ATTENTION!**

The appliance must not be used by people with reduced physical, mental and sensorial capabilities, without experience and knowledge. These people must be duly instructed and supervised during manoeuvring operations.

**ATTENTION!**

Installation, adjustment and maintenance of the appliance must be carried out by professionally authorised company, in compliance with regulations and provisions in force, as incorrect installation can cause damage to people, animals and property, for which the manufacturer will not be held liable.

**DANGER!**

Maintenance or repair work on the boiler must be carried out by professionally authorised company, authorised by Immergas; it is advisable to sign a maintenance contract.

Poor or irregular maintenance can compromise the operational safety of the appliance and cause damage to people, animals and property for which the manufacturer will not be held liable.

**Changes to parts connected to the appliance**

Do not make changes to the following elements:

- to the boiler
- to the gas, air, water and power supply lines
- to the flue pipe, safety valve and exhaust pipe
- to the constructive elements that affect the operational safety of the appliance.

**ATTENTION!**

To tighten or loosen the screw-attached fittings, use suitable wrenches only. Improper use and/or unsuitable tools can cause damage (for ex. water and gas leaks).

**ATTENTION!****Instructions for appliances running on propane gas**

Make sure that the gas tank has been deaerated prior to installing the appliance.

For a thorough deaeration of the tank contact the liquid gas supplier and in any case authorised company, in accordance with the law. Ignition problems can arise if the tank is not thoroughly deaerated.

In this case contact the liquid gas tank supplier.

**Smell of gas**

In case of the smell of gas observe the following safety instructions:

- do not use electric switches
- do not smoke
- do not use the telephone
- shut off the gas cut-off valve
- aerate the room where the gas leak occurred
- notify the gas supply company or a company specialised in the installation and maintenance of heating systems.

**Explosive and easily flammable substances**

Do not use or deposit explosive or easily flammable materials (for ex. petrol, paints, paper) in the room where the appliance is installed.

**ATTENTION!**

Do not use the appliance as a base to support any object. Specifically, do not place receptacles containing liquids (Bottles, Glasses, Containers or Detergents) on top of the boiler. If the appliance is installed inside a box, do not insert or place other objects inside it

**ATTENTION!**

The heat unit must be installed so as to avoid, under the envisioned operating conditions, the liquid contained in it from freezing and avoid exposing the command and control parts to temperatures below  $-15^{\circ}\text{C}$  and over  $+40^{\circ}\text{C}$ .

The heat unit must be protected from climatic/environmental variations by:

- insulating the hydraulic and condensation exhaust pipes
- adopting specific anti-freeze products in the hydraulic system.

### 1.5 REGULATIONS FOR INSTALLATION

**ARES Tec** is a gas category II<sub>H3P</sub> heating unit.

The appliance must be installed in accordance with the instructions contained in this manual.

Installation must be carried out by a professionally authorised company, **who is in charge of enforcing observance of all local and/or national laws published in the Official Gazette, as well as all applicable technical regulations.**

It is necessary to observe the standards, regulations and requirements for installation provided below, constituting a rough and non-exhaustive list, in order to follow the evolution of the "state of the art". **We would like to underline that updating the list of standards is the responsibility of the technicians authorised to carry out installation.**

Also observe the standards regarding the heating control unit, construction regulations and requirements on combustion heating in the country of installation.

The appliance must be installed, commissioned and subject to maintenance in accordance with the current "state of the art". This also applies to the hydraulic system, the flue exhaust system, the installation room and the electrical system.



**Failure to observe the above regulations will void the warranty.**

### 1.6 INSTALLATION

When the appliance is installed on existing systems, make sure that:

- The flue is suitable for condensation appliances, for the temperatures of the combustion products, calculated and built in accordance with regulations in force. That is it a straight as possible, water-tight and insulated and does not have any obstructions or constrictions.
- The flue is equipped with an attachment to evacuate the condensation.
- The heating control unit is equipped with a pipe for the evacuation of the condensation produced by the boiler.
- The electrical system is built in accordance with specific regulations and by professionally authorised company.
- The flow rate, head and direction of flow of the circulation pumps is appropriate.
- The fuel feed line and any existing tanks are set up in accordance with regulations in force.
- The expansion vessels ensure complete absorption of the dilation of the fluid contained in the system.
- Slurry and build-up have been cleaned out of the system.

***If ARES Tec is being installed on existing Systems:***

If it is possible to schedule the replacement, it is necessary to wash the system preventively, with alkaline dispersants. Washing must be carried out four weeks prior to replacement, with a system operating between 35°C - 40°C.



**ATTENTION!**

If the new boiler has been replaced in an old system without having preventively washed it as described above, do not wash the system, as any residues of the product in the circuit may fill the generator with residues after replacement.

It is advisable to contact a company specialised in water treatment.

***Otherwise, if ARES Tec is being installed on a new system*** it is advisable to wash it thoroughly in any case, using products that are suitable for the entire system, and install a Y-strainer with two cut-off valves on the return pipe to the boiler, so that it can be cleaned as needed.

This filter will protect the boiler from sediments coming from the heating system.

In both cases it is necessary to keep the head losses localised in the primary circuit, for the correct sizing of the pump.

## 1.7 WATER TREATMENT

Treating the supply water allows you to prevent problems and maintain the functionality and efficiency of the generator over time.

The purpose of this treatment is to eliminate or significantly reduce problems that can be outlined as:

- build-up
- corrosion
- sediments
- biological growth (mould, fungus, algae, bacteria, etc.).

The chemical analysis of the water provides a lot of information on the state and "health" of the system.

The pH level is a numerical indication of the acidity or alkalinity of a solution.

The pH scale goes from 0 to 14, where 7 corresponds to neutral.

Values below 7 indicate acidity, values above 7 indicate alkalinity.

**The ideal pH value in heating systems with aluminium boilers is between 6.5 and 8.5, with a hardness of 15°F.**

Water in a system with a pH value outside of this range considerably accelerates the destruction of the protective oxide layer which forms naturally inside the aluminium bodies, and would not occur naturally: if the pH level is lower than 6,5 it contains acid, if it is above 8 the water is alkaline, either due to an alkaline treatment (for example phosphates or glycols operating as antifreeze) or in some cases the natural generation of alkalis in the system.

Vice versa, if the pH value is between 6.5 and 8, the aluminium surfaces in the body are passivated and protected from further corrosive attacks.

To minimise corrosion, it is essential to use a corrosion inhibitor. In order for it to work efficiently, however, the metal surfaces must be clean.

The best inhibitors on the market also contain an aluminium protection system that stabilises the pH levels of the filler water, preventing sudden changes (buffer effect).

It is advisable to systematically check (at least twice a year) the pH value of the water in the system. In order to do so a chemical laboratory analysis is not required, but a simple check using an analysis "kit" contained in a carry cases, easily available on the market.

It will therefore be necessary to set up the devices shown in the figure in the heating system.



**THE COUPLING MUST BE SET UP ON THE RETURN PIPE TO THE PRIMARY CIRCUIT DOWNSTREAM OF THE PUMP.**

All of the precautions required to avoid the formation and localisation of oxygen in the water of the system. For this reason the plastic pipes used in the under-floor heating systems must not be permeable to oxygen.

Make sure that any anti-freeze products are compatible with aluminium and any other parts and materials in the system.



**ATTENTION!**

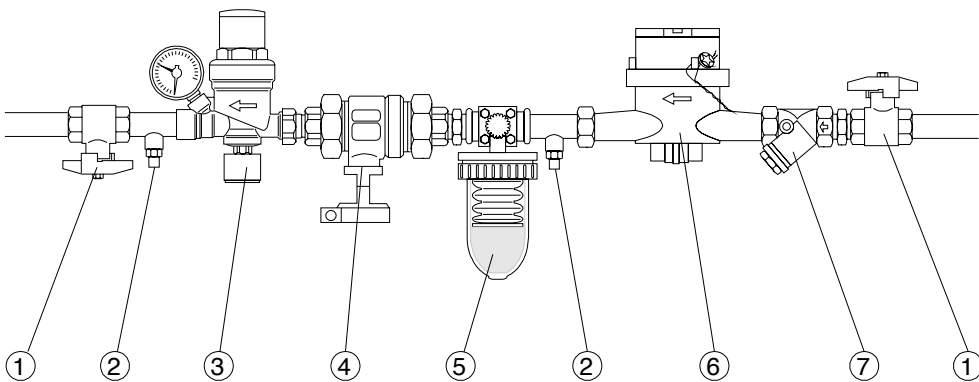
**Any damage caused to the boiler, due to the formation of build-up or corrosive water, will not be covered by the warranty.**



**ATTENTION!**

**These appliances are designed and developed to transfer heat to a heat carrying fluid possessing the characteristics described here, they are not suitable to directly heat water intended for human consumption.**

Example of water treatment unit



Key:

- 1 - Ball valve
- 2 - Sample trap
- 3 - Filling unit
- 4 - Cut-off device
- 5 - Water treatment unit
- 6 - Litre meter (recommended)
- 7 - "Y" strainer

### 1.8 GENERAL WARNINGS

The instruction handbook is an integral and essential part of the product and must be kept safe by the individual in charge of the system.

Read the warnings contained in the handbook carefully, as they provide important instructions regarding installation, user and maintenance safety.

Keep the handbook safe for future consultation.

**The appliance must be installed and maintained in accordance with regulations in force, pursuant to the instructions of the manufacturer, the state of the art and by authorised and qualified personnel, in accordance with the law.**

**Domestic hot water production systems must be built entirely with compliant materials.**

**Professionally qualified personnel means staff with specific technical skills in the sector of heating system parts for civil use, hot water production for domestic use and maintenance. This personnel must have the authorisations required by legislation in force.**

Incorrect installation or poor maintenance can cause injury to persons and animals and damage to objects, for which the manufacturer is not liable.

Before carrying out any cleaning or maintenance operations, cut the appliance off from the power mains by acting on the switch on the system and/or using the cut-off devices.

Do not obstruct the intake/exhaust pipe terminals.

In case of breakdown and/or poor operation of the appliance, switch it off, and do not attempt in any way to repair it or intervene directly. Only contact an authorised company that has been authorised in accordance with the law.

Any repairs to the products must be carried out by an authorised company only, using original spare parts only. Failure to observe the above can jeopardise the safety of the appliance and will void the warranty.

The guarantee the efficiency of the appliance and its correct operation it is essential for authorised company to carry out annual maintenance.

If the appliance is put out of use for downtime, any part that is susceptible to posing a potential source of danger must be made safe.

Before re-commissioning an appliance that has been put out of use, proceed to washing the domestic hot water production system, making water flow through it for the amount of time required to change the water completely.

If the appliance is sold or transferred to another owner or if the owner moves, leaving the appliance behind, always ensure the handbook accompanies the appliance so that it may be consulted by the new owner and/or installer.

All appliances with optionals or kits (including electric) must only use original spare parts.

The appliance must only be employed for its expressly foreseen use. Any other use must be considered improper and therefore dangerous.



# 2 TECHNICAL CHARACTERISTICS AND DIMENSIONS

## 2.1 TECHNICAL CHARACTERISTICS

- Heat generator, to heat Low Nox condensation gas
- Comprised of a heat module designed to operate on its own or in a set
- Can be set up directly outside (IP X5D)
- Low water content
- High response speed to load changes
- Single flue exhaust that can be positioned on 3 sides
- Unified flow and return hydraulic manifolds
- Comprised of 4 or more heating elements (between 4 and 8), aluminium/silicon/magnesium casting
- Including total irradiation premixing modulating burners
- None of the heating elements have hydraulic cut-off devices
- Single gas supply pipe
- Modulated power between 22 ÷ 108 kW/element.

### TEMPERATURE CONTROL DEVICES:

- ROOM NTC sensor (every heating element)
- Room Limit Thermostat (every heating element)
- Flow NTC sensor (General)
- Return NTC sensor (General)
- Approved safety thermostat
- BCM global flow probe.

### POP-UP control panel composed of:

- ON-OFF switch see parag. 3.25
  - HSCP boiler thermoregulation/manager
  - BCM (internal cascade management board)
  - Protection fuses
  - Any limit thermostats
  - Fan air pressure switch
  - Condensation water level sensor
  - Gas pressure switch
  - Exhaust pressure switch (anti-obstruction).
- The entire heating unit is equipped with global temperature control NTC sensors on the flow and return manifolds.
  - Integral insulation with non-allergenic synthetic wool.

- Total premix burner, modulating, with "metal foam" radiation combustion chamber. Premixing in the fan. Automatic separating backflow diaphragm from the combustion chamber.
- Sound emissions at maximum power below 52 dBA for models 100-350, 54 dBA for models 440-770 and 56 dBA for 900.
- Operation during heating: determining the instantaneous power through a control microprocessor, with preset comparison parameters between requested temperature (or calculated by the outdoor thermoregulation) and global flow temperature.
- Logic of operation:
  - Possibility of controlling the power of the single heating elements for calibration and/or assistance with reserved access code.
  - Domestic hot water production using a priority NTC probe, for control by a storage tank loading pump or diverter valve, is done with an SHC module that is supplied with the boiler.
  - Possibility of controlling the power of the single heating elements.
  - Heat request control: temperature setpoint and modulation level.
  - Monitoring the state of operation and temperatures.
  - Alarm notification.
  - Parameter setting.
  - Control relay to switch on a pump at a fixed speed.
  - Analogue 0÷10V output to control a modulating pump.
  - Emergency operation: this allows you to avoid the system from stopping due to an interruption in communication with the adjusting system or possible remote management of the control unit:
  - Emergency temperature with maximum power 100%.
  - Alarm management.
  - Alarm reset input.
  - Alarm notification Relay.
  - Condensation collection tray with stainless steel exhaust trap.
  - Easily removable integral panelling comprised of oven-painted steel panels suitable for outdoor installation.
  - Condensation collection tray with stainless steel exhaust trap and flue chamber.
  - Incorporated deaerator.

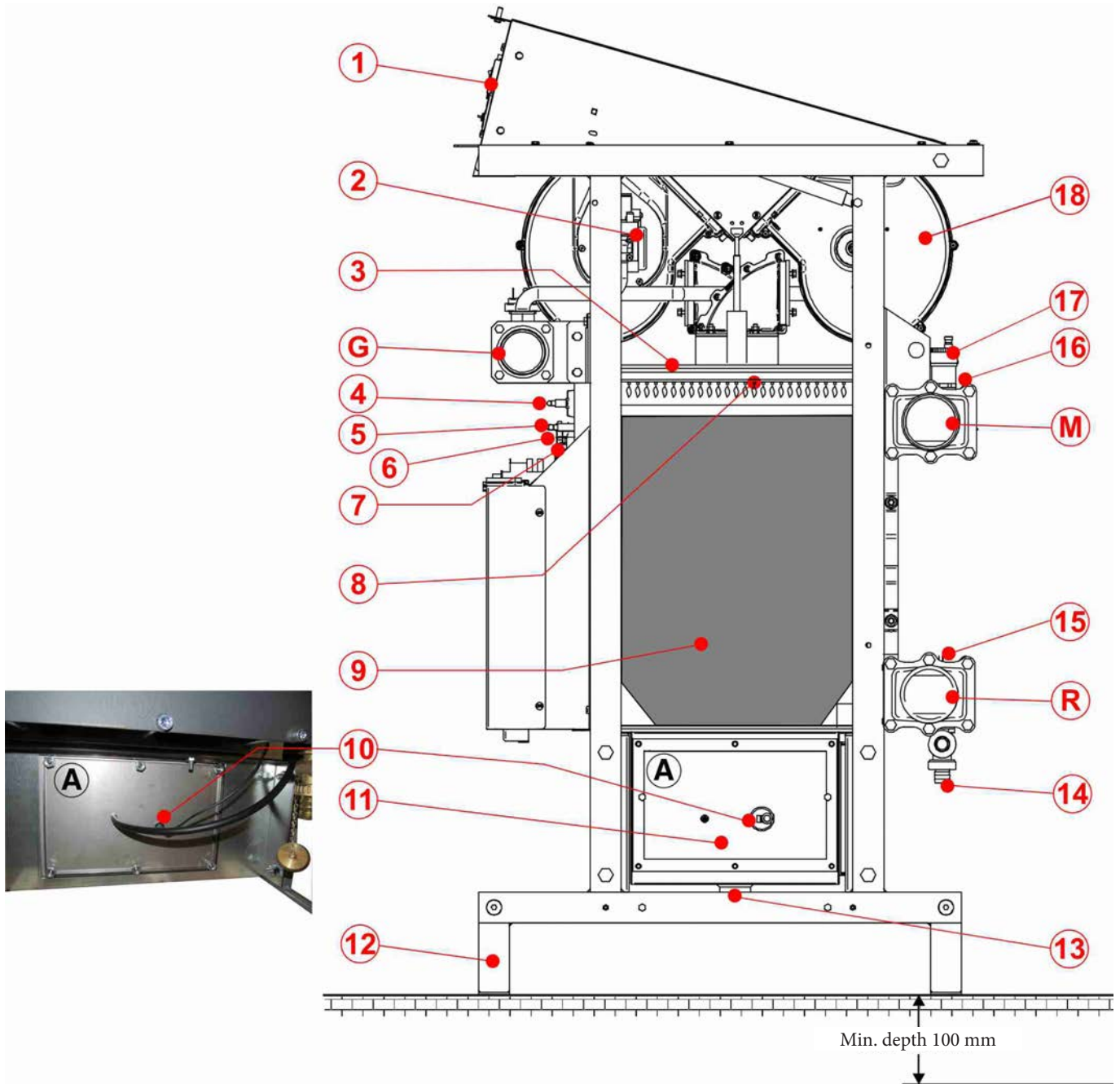
The request for heat can be generated by the HSCP thermoregulation/manager or alternatively by the BCM (Boiler controller).

The management logic envisions simultaneous operation of the maximum number of heat elements, so as to always obtain the maximum efficiency. Since it guarantees the maximum exchange area based on the delivered power. The elements are made to operate so as to equally divide the operating time.

The hot water that is produced is pushed by the pump located on the return of the primary ring to the flow of the hydraulic separator. From here a second pump (system - see suggested diagrams) will distribute to the various utilities. From the system, return the cooled water is taken in by the pump on the return, through the hydraulic separator, to start the cycle towards the generator again.

## TECHNICAL CHARACTERISTICS AND DIMENSIONS

### 2.2 INTERNAL VIEW WITH INDICATIONS OF MAIN COMPONENTS



#### KEY

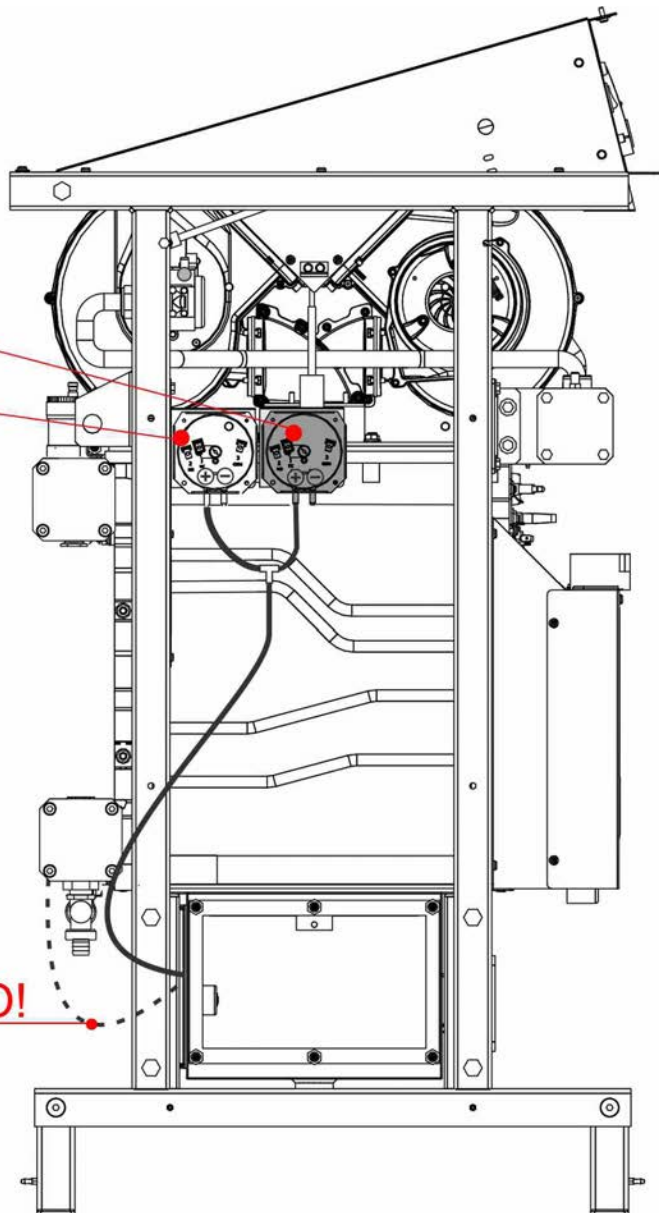
N°	Error code	Wiring diagram	Description
1		HSCP	CONTROL PANEL
2		VG	GAS VALVE
3			BURNER COVER
4		E. ACC.	IGNITION
5		E. RIL.	IONISATION
6		SR	ROOM NTC PROBE
7		TL	LIMIT THERMOSTAT
8			BURNER
9			SILICON ALUMINIUM EXCHANGER
10		SL	LEVEL SENSOR

N°	Error code	Wiring diagram	Description
11			CONDENSATION COLLECTION PAN / FLUE FITTING
12			FRAME
13			CONDENSATE DRAIN OUTLET
14			DRAINING VALVE
15		SRR	RETURN GLOBAL NTC
16		SMG	PROBE FLOW GLOBAL NTC
17			AUTOMATIC AIR BLEED VALVE
18			FAN



19

20



NO!



**Note:**  
PF (20) and PFmin. (19) they are opposite each other as shown in the photo, in the drawing they are shown side by side for clarity.



**flue gas outlet** RIGHT side (supply condition) - LEFT side and REAR side (order rear flue gas outlet kit)  
**flow** RIGHT side (supply condition) - LEFT side  
**return** RIGHT side (supply condition) - LEFT side  
**Gas intake** RIGHT side (supply condition) - LEFT side

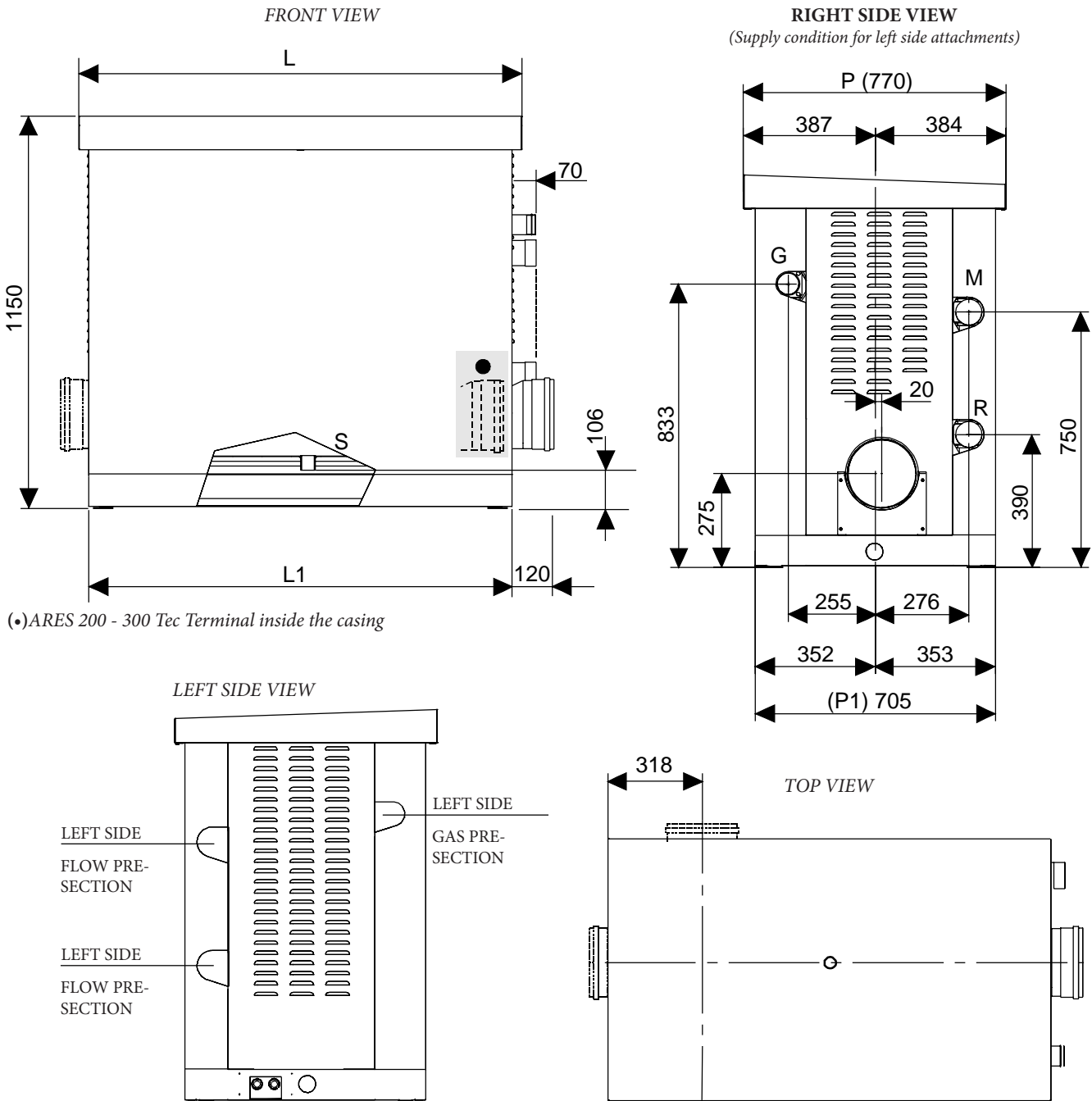
KEY

N°	Error code	Wiring diagram	Description
19		PF min	MINIMUM FLUE PRESSURE SWITCH
20		PF	FLUE PRESSURE SWITCH



If it is necessary to position the flue exhaust, on the left side of the boiler, it is necessary to move cover "A" with relative cabling, level sensor and pressure switch pipe, on the rear side of the boiler. The rear cover (previously removed) must be put back on the right side of the boiler.

2.3 DIMENSIONS



(•)ARES 200 - 300 Tec Terminal inside the casing

ARES Tec		150	200	250	300	350
<b>Dimensions</b>	Unit					
Heating elements	n°	3	4	5	6	7
Height	mm	1150	1150	1150	1150	1150
Width "L"	mm	764	1032	1032	1300	1300
Width "L1"	mm	706	974	974	1242	1242
Depth "P"	mm	770	770	770	770	770
Depth "P1"	mm	705	705	705	705	705
<b>Attachment sizes</b>						
G Gas fitting	mm (inch)	50 (2)	50 (2)	50 (2)	50 (2)	50 (2)
F System flow	mm (inch)	64 (2½)	64 (2½)	64 (2½)	64 (2½)	64 (2½)
R System return	mm (inch)	64 (2½)	64 (2½)	64 (2½)	64 (2½)	64 (2½)
Flue fitting	mm	150	150	200	200	200
Condensate drain	mm	40	40	40	40	40

## 2.4 OPERATING DATA / GENERAL CHARACTERISTICS

<b>ARES Tec ErP</b>		<b>150</b>	<b>200</b>	<b>250</b>	<b>300</b>	<b>350</b>
Boiler category		II <sub>2H3P</sub>	II <sub>2H3P</sub>	II <sub>2H3P</sub>	II <sub>2H3P</sub>	II <sub>2H3P</sub>
Modulation ratio		1 : 12,5	1 : 16,7	1 : 20,8	1 : 25	1 : 29
Nominal heat input on L.V.C. Qn	kW	150	200	250	300	348
Minimum heat input on L.C.V. Qmin	kW	12	12	12	12	12
Nominal effective power (Tr 60 / Tf 80 °C) Pn	kW	146,1	195,2	244,5	294,0	341,7
Minimum effective power (Tr 60 / Tf 80 °C) Pn min	kW	11,7	11,7	11,7	11,7	11,7
Nominal effective power (Tr 30 / Tf 50 °C) Pcond	kW	150	200,4	251,3	302,7	354,6
Minimum effective power (Tr 30 / Tf 50 °C) Pcond min	kW	12,8	12,8	12,8	12,8	12,8
Efficiency at nominal power (Tr 60 / Tf 80°C)	%	97,4	97,6	97,8	98,0	98,2
Efficiency at minimum power (Tr 60 / Tf 80°C)	%	97,16	97,16	97,16	97,16	97,16
Efficiency at nominal power (Tr 30 / Tm 50°C)	%	100,0	100,2	100,5	100,9	101,9
Efficiency at minimum power (Tr 30 / Tm 50°C)	%	106,5	106,5	106,5	106,5	106,5
Efficiency at 30% of the load ( Tr 30°C)	%	107,3	107,3	107,3	107,3	107,3
Efficiency class according to directive 92/42 EEC	--	4	4	4	4	4
Combustion efficiency at nominal load	%	97,8	97,8	98,0	98,1	98,3
Combustion efficiency at a reduced load	%	98,3	98,3	98,3	98,3	98,3
Losses from operating burner casing (Qmin)	%	1,2	1,2	1,2	1,2	1,2
Losses from operating burner casing (Qn)	%	0,4	0,2	0,2	0,1	0,1
Flue temperature at net of Tf-Ta (min)(*)	°C	33,4	33,4	33,4	33,4	33,4
Flue temperature at net of Tf-Ta (max)(*)	°C	45,1	46,5	47,3	48,2	49,1
Maximum permitted temperature	°C	100	100	100	100	100
Maximum operating temperature:	°C	85	85	85	85	85
Mass flue flow rate (min)	kg/h	19,6	19,6	19,6	19,6	19,6
Mass flue flow rate (max)	kg/h	245	327	409	490	569
Air excess	%	25,5	25,5	25,5	25,5	25,5
Chimney losses with burner in operation (min)	%	1,7	1,7	1,7	1,7	1,7
Flue losses with burner in operation (max)	%	2,2	2,2	2,0	1,9	1,7
Minimum pressure of heating circuit	bar	0,5	0,5	0,5	0,5	0,5
Maximum pressure of heating circuit	bar	6,0	6,0	6,0	6,0	6,0
Water content	l	14,2	18,3	22,4	26,5	30,6
Methane gas consumption G20 (supp.press. 20 mbar) at Qn	m <sup>3</sup> /h	15,9	21,1	26,4	31,7	36,8
Methane gas consumption G20 (supp.press. 20 mbar) at Qn	m <sup>3</sup> /h	1,3	1,3	1,3	1,3	1,3
Gas consumption G25 (supp.press. 20/25 mbar) at Qn	m <sup>3</sup> /h	18,4	24,6	36,7	36,9	42,8
Gas consumption G25 (supp.press. 20/25 mbar) at Qn	m <sup>3</sup> /h	1,5	1,5	1,5	1,5	1,5
Propane gas consumption (supp.press. 37/50 mbar) at Qn	kg/h	11,6	15,5	19,4	23,3	27
Propane gas consumption (supp.press. 37/50 mbar) at Qn	kg/h	0,9	0,9	0,9	0,9	0,9
Maximum pressure available at flue base	Pa	100	100	100	100	100
Max condensate production	kg/h	23	30,60	38,3	45,9	53,6
<b>Emissions</b>						
CO at maximum heat input with 0% O2	mg/kWh	83	83	83	83	83
NOx at maximum heat input with 0% O2	mg/kWh	77	77	77	77	77
NOx class		6	6	6	6	6
(***) Sound pressure level	dB(A)	52	52	52	52	52
<b>Electrical data</b>						
Frequency/Power supply voltage:	V/Hz	230/50	230/50	230/50	230/50	230/50
Supply fuse	A (R)	6,3/10	6,3/10	6,3/10	6,3/10	6,3/10
(**) Degree of protection	IP	X5D	X5D	X5D	X5D	X5D



(\*) Room Temperature = 20°C

(\*\*) See "NOZZLES - PRESSURES" table

(\*\*\*) The IP X5D degree of protection is obtained with the lid lowered.

**2.5 TECHNICAL PARAMETERS FOR COMBINATION BOILERS  
(IN COMPLIANCE WITH REGULATION 813/2013).**

Efficiencies in the following tables refer to the gross calorific value.

Model/s:				ARES 150 Tec ErP				
Condensing Boilers:				YES				
Low temperature boiler:				NO				
Boiler type B1:				NO				
Co-generation appliance for central heating:				NO		Fitted with supplementary heating system:		NO
Mixed heating appliance:				NO				
Element	Symbol	Value	Unit	Element	Symbol	Value	Unit	
Nominal heat output	$P_n$	146	kW	Seasonal energy efficiency of central heating	$\eta_s$	92	%	
For central heating only and combination boilers: useful heat output				For central heating only and combination boilers: useful efficiency				
At nominal heat output in high temperature mode (*)	$P_4$	146.1	kW	At nominal heat output in high temperature mode (*)	$\eta_4$	87.7	%	
At 30% of nominal heat output in a low temperature mode (**)	$P_1$	49.3	kW	At 30% of nominal heat output in a low temperature mode (**)	$\eta_1$	96.7	%	
Auxiliary electricity consumption				Other items				
At full load	$el_{max}$	0.210	kW	Heat loss in standby	$P_{stby}$	0.94	kW	
At partial load	$el_{min}$	0.040	kW	Annual electrical consumption	$Q_{HE}$	459	GJ	
In standby mode	$P_{SB}$	0.000	kW	Emissions of nitrogen oxides ref. PCI (PCS)	$NO_x$	54 (49)	mg / kWh	
For mixed central heating appliances								
Stated load profile				Domestic hot water production efficiency		$\eta_{WH}$	%	
Daily electrical power consumption		$Q_{elec}$	kWh	Daily gas consumption		$Q_{fuel}$	kWh	
Contact information		IMMERGAS S.p.A. VIA CISA LIGURE, 95 - 42041 BRESCELLO (RE) ITALY						
(*) High temperature mode means 60°C on return and 80°C on flow.								
(**) Low temperature mode for condensation Boilers means 30°C , for low temperature boilers 37°C and for other appliances 50°C of return temperature.								

## TECHNICAL CHARACTERISTICS AND DIMENSIONS

Model/s:				ARES 200 Tec ErP						
Condensing Boilers:				YES						
Low temperature boiler:				NO						
Boiler type B1:				NO						
Co-generation appliance for central heating:				NO		Fitted with supplementary heating system:		NO		
Mixed heating appliance:				NO						
Element	Symbol	Value	Unit	Element	Symbol	Value	Unit			
Nominal heat output	$P_n$	195	kW	Seasonal energy efficiency of central heating	$\eta_s$	92	%			
For central heating only and combination boilers: useful heat output				For central heating only and combination boilers: useful efficiency						
At nominal heat output in high temperature mode (*)	$P_4$	195.2	kW	At nominal heat output in high temperature mode (*)	$\eta_4$	87.5	%			
At 30% of nominal heat output in a low temperature mode (**)	$P_1$	64.4	kW	At 30% of nominal heat output in a low temperature mode (**)	$\eta_1$	96.7	%			
Auxiliary electricity consumption				Other items						
At full load	$el_{max}$	0.290	kW	Heat loss in standby	$P_{stby}$	0.98	kW			
At partial load	$el_{min}$	0.040	kW	Annual electrical consumption	$Q_{HE}$	612	GJ			
In standby mode	$P_{SB}$	0.010	kW	Emissions of nitrogen oxides ref. PCI (PCS)	$NO_x$	54 (49)	mg / kWh			
For mixed central heating appliances										
Stated load profile				Domestic hot water production efficiency				$\eta_{WH}$	%	
Daily electrical power consumption				$Q_{elec}$	kWh		Daily gas consumption		$Q_{fuel}$	kWh
Contact information				IMMERGAS S.p.A. VIA CISA LIGURE, 95 - 42041 BRESCELLO (RE) ITALY						

(\*) High temperature mode means 60°C on return and 80°C on flow.  
(\*\*) Low temperature mode for condensation Boilers means 30°C , for low temperature boilers 37°C and for other appliances 50°C of return temperature.

Model/s:				ARES 250 Tec ErP						
Condensing Boilers:				YES						
Low temperature boiler:				NO						
Boiler type B1:				NO						
Co-generation appliance for central heating:				NO		Fitted with supplementary heating system:		NO		
Mixed heating appliance:				NO						
Element	Symbol	Value	Unit	Element	Symbol	Value	Unit			
Nominal heat output	$P_n$	240	kW	Seasonal energy efficiency of central heating	$\eta_s$	92	%			
For central heating only and combination boilers: useful heat output				For central heating only and combination boilers: useful efficiency						
At nominal heat output in high temperature mode (*)	$P_4$	244.5	kW	At nominal heat output in high temperature mode (*)	$\eta_4$	88.1	%			
At 30% of nominal heat output in a low temperature mode (**)	$P_1$	80.5	kW	At 30% of nominal heat output in a low temperature mode (**)	$\eta_1$	96.7	%			
Auxiliary electricity consumption				Other items						
At full load	$el_{max}$	0.362	kW	Heat loss in standby	$P_{stby}$	1.1	kW			
At partial load	$el_{min}$	0.040	kW	Annual electrical consumption	$Q_{HE}$	766	GJ			
In standby mode	$P_{SB}$	0.010	kW	Emissions of nitrogen oxides ref. PCI (PCS)	$NO_x$	54 (49)	mg / kWh			
For mixed central heating appliances										
Stated load profile				Domestic hot water production efficiency				$\eta_{WH}$	%	
Daily electrical power consumption				$Q_{elec}$	kWh		Daily gas consumption		$Q_{fuel}$	kWh
Contact information				IMMERGAS S.p.A. VIA CISA LIGURE, 95 - 42041 BRESCELLO (RE) ITALY						

(\*) High temperature mode means 60°C on return and 80°C on flow.  
(\*\*) Low temperature mode for condensation Boilers means 30°C , for low temperature boilers 37°C and for other appliances 50°C of return temperature.

## TECHNICAL CHARACTERISTICS AND DIMENSIONS

Model/s:				ARES 300 Tec ErP						
Condensing Boilers:				YES						
Low temperature boiler:				NO						
Boiler type B1:				NO						
Co-generation appliance for central heating:				NO		Fitted with supplementary heating system:		NO		
Mixed heating appliance:				NO						
Element	Symbol	Value	Unit	Element	Symbol	Value	Unit			
Nominal heat output	$P_n$	294	kW	Seasonal energy efficiency of central heating	$\eta_s$	92	%			
For central heating only and combination boilers: useful heat output				For central heating only and combination boilers: useful efficiency						
At nominal heat output in high temperature mode (*)	$P_4$	294.0	kW	At nominal heat output in high temperature mode (*)	$\eta_4$	88.3	%			
At 30% of nominal heat output in a low temperature mode (**)	$P_1$	96.6	kW	At 30% of nominal heat output in a low temperature mode (**)	$\eta_1$	96.7	%			
Auxiliary electricity consumption				Other items						
At full load	$el_{max}$	0.435	kW	Heat loss in standby	$P_{stby}$	1.15	kW			
At partial load	$el_{min}$	0.040	kW	Annual electrical consumption	$Q_{HE}$	920	GJ			
In standby mode	$P_{SB}$	0.010	kW	Emissions of nitrogen oxides ref. PCI (PCS)	$NO_x$	54 (49)	mg / kWh			
For mixed central heating appliances										
Stated load profile				Domestic hot water production efficiency				$\eta_{WH}$	%	
Daily electrical power consumption				$Q_{elec}$	kWh		Daily gas consumption		$Q_{fuel}$	kWh
Contact information				IMMERGAS S.p.A. VIA CISA LIGURE, 95 - 42041 BRESCELLO (RE) ITALY						

(\*) High temperature mode means 60°C on return and 80°C on flow.  
(\*\*) Low temperature mode for condensation Boilers means 30°C , for low temperature boilers 37°C and for other appliances 50°C of return temperature.

Model/s:				ARES 350 Tec ErP						
Condensing Boilers:				YES						
Low temperature boiler:				NO						
Boiler type B1:				NO						
Co-generation appliance for central heating:				NO		Fitted with supplementary heating system:		NO		
Mixed heating appliance:				NO						
Element	Symbol	Value	Unit	Element	Symbol	Value	Unit			
Nominal heat output	$P_n$	342	kW	Seasonal energy efficiency of central heating	$\eta_s$	92	%			
For central heating only and combination boilers: useful heat output				For central heating only and combination boilers: useful efficiency						
At nominal heat output in high temperature mode (*)	$P_4$	341.7	kW	At nominal heat output in high temperature mode (*)	$\eta_4$	88.5	%			
At 30% of nominal heat output in a low temperature mode (**)	$P_1$	112.0	kW	At 30% of nominal heat output in a low temperature mode (**)	$\eta_1$	96.7	%			
Auxiliary electricity consumption				Other items						
At full load	$el_{max}$	0.507	kW	Heat loss in standby	$P_{stby}$	1.39	kW			
At partial load	$el_{min}$	0.040	kW	Annual electrical consumption	$Q_{HE}$	1069	GJ			
In standby mode	$P_{SB}$	0.010	kW	Emissions of nitrogen oxides ref. PCI (PCS)	$NO_x$	54 (49)	mg / kWh			
For mixed central heating appliances										
Stated load profile				Domestic hot water production efficiency				$\eta_{WH}$	%	
Daily electrical power consumption				$Q_{elec}$	kWh		Daily gas consumption		$Q_{fuel}$	kWh
Contact information				IMMERGAS S.p.A. VIA CISA LIGURE, 95 - 42041 BRESCELLO (RE) ITALY						

(\*) High temperature mode means 60°C on return and 80°C on flow.  
(\*\*) Low temperature mode for condensation Boilers means 30°C , for low temperature boilers 37°C and for other appliances 50°C of return temperature.





# 3 INSTRUCTIONS FOR INSTALLATION

## 3.1 GENERAL RECOMMENDATIONS



**ATTENTION!**

This boiler must only be employed for its explicitly intended use. Any other use must be considered improper and therefore dangerous.

This boiler is used to heat water to below boiling temperature in atmospheric pressure.



**ATTENTION!**

These appliances are designed exclusively for installation inside suitable technical compartments.



Before connecting the boiler, have professionally authorised company:

- a) **Accurately washing all of the pipes in the system to remove any residues or sediments could stop the boiler from running efficiently, even in terms of health and hygiene.**
- b) Making sure the boiler is set up to operate with the available type of fuel. The type of fuel is stated on the packaging and technical characteristics plate.
- c) Make sure that the chimney/flue has an adequate draught, that it is not choked, and that there are no other exhausts for other appliances, unless the flue is designed for multiple utilities, in accordance with standard specifications and requirements in force. Only once this check has been carried out can the fitting between boiler and chimney/flue be set up.



**ATTENTION!**

In rooms with aggressive vapour or dust, the appliance must operate independently of the air in the room of installation!



**ATTENTION!**

The appliance must be installed by an authorised company possessing professional-technical qualifications in accordance with the law, who, under his/her own responsibility, enforces the observance of regulations according to the rules of good practice.



**ATTENTION!**

Assemble the appliance in observance of the minimum required distances for installation and maintenance.



The boiler must be connected to a heating system compatibly with its specifications and power.

### 3.2 PACKAGING

The ARES Tec boiler is supplied assembled in a sturdy cardboard box.



Once the two straps have been removed, slide the box off from the top and make sure the contents are intact.



Packaging materials (cardboard box, straps, plastic bags, etc.) constitute a potential hazard and must be kept out of the reach of children.

The manufacturer will not be held liable in case of damage caused to people, animals or property due to failure to observe the above.



**OBLIGATION!**

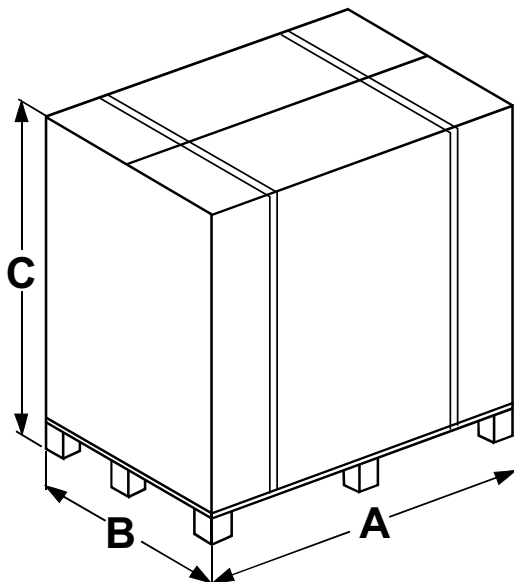
**Wear protective gloves**

- Only transport the boiler using appropriate transport means, for example a trolley with fixing strap.
- When the boiler is shipped, it must be secured to the transport equipment.
- Protect all parts against impacts, if they must be transported.
- Follow the transport instructions on the package.
- The boilers must always be lifted and carried with a trolley or suitable transport equipment.

Composition of packaging:

**On the front of the boiler there are:**

- The flue exhaust manifold anchored to the front crossbeam with screws
- A box containing:
  - 4 supporting feet
  - 3 closing plugs to invert manifolds
  - 3 insulating gaskets for manifolds (outdoor boiler)



Model	A (mm)	B (mm)	C (mm)	Gross Weight (kg)
150	840	890	1250	236
200	1110	890	1250	295
250	1110	890	1250	325
300	1375	890	1250	386
350	1375	890	1250	419

- A box containing:
  - Gasket between pan and terminal
  - Collar gasket
  - Two bends + one T + plastic cap for condensate drain
  - Screws required to secure the flue terminal
  - The probes: external, flow, storage tank
  - Flue inspection cap
  - Kit of resistances
  - Plate and fairlead for power output

**On the right side of the boiler:**

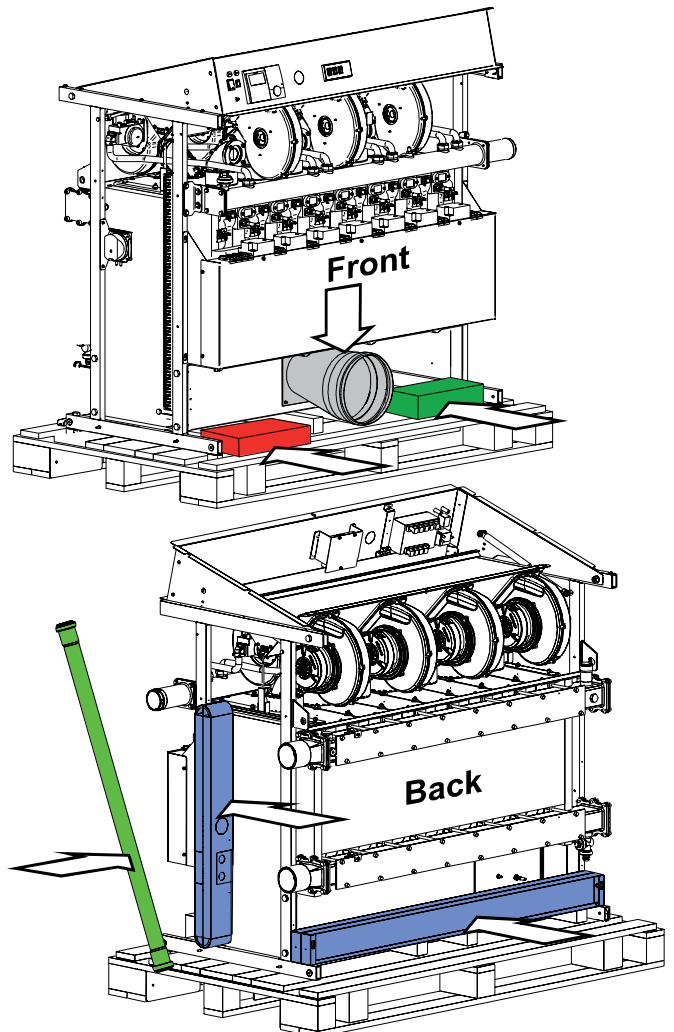
- Condensate drain trap pipe
- RT and LT side platform.

**On the rear side of the boiler:**

- Front and rear platform.

**Above the boiler cover:**

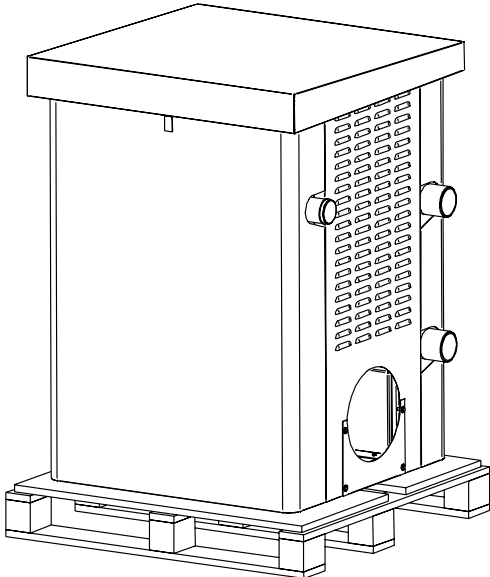
- A plastic bag containing:
  - Installer and maintenance technician instructions handbook
  - System manager instructions handbook
  - HSCP control unit user handbook
  - BCM 2.0 user handbook
  - Warranty certificate
  - Hydraulic test certificate
  - Pins to block the set of fans in raised position.



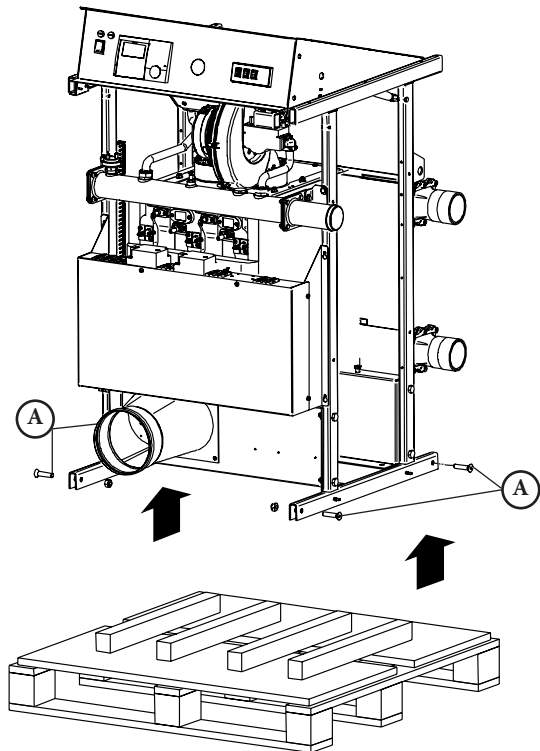
## INSTRUCTIONS FOR THE INSTALLER

### 3.3 REMOVING THE BOILER FROM THE PALLET AND PUTTING ON THE FEET

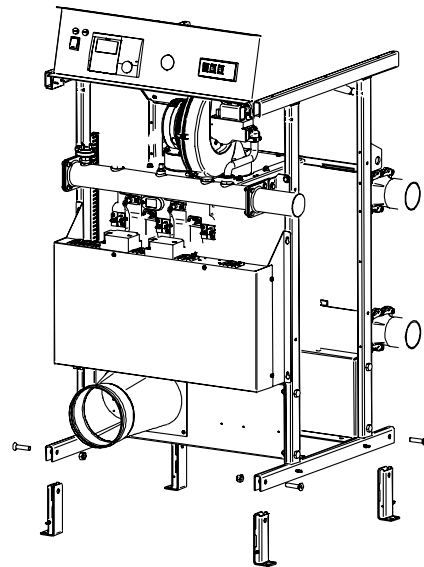
1



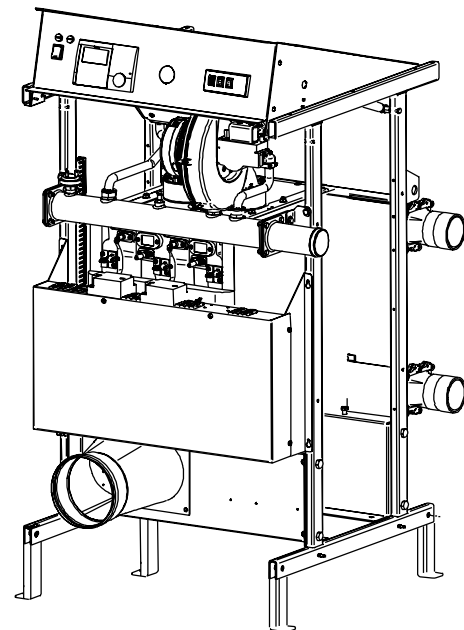
2



3



4



- Dismantling the boiler
- Lifting the boiler using a sling hoist or forklift
- Remove the four "A" screws
- Put in the 4 feet contained in the box
- Attach the feet to the frame using the 4 previously removed "A" screws
- Stand the boiler on the screed and cover with the casing.

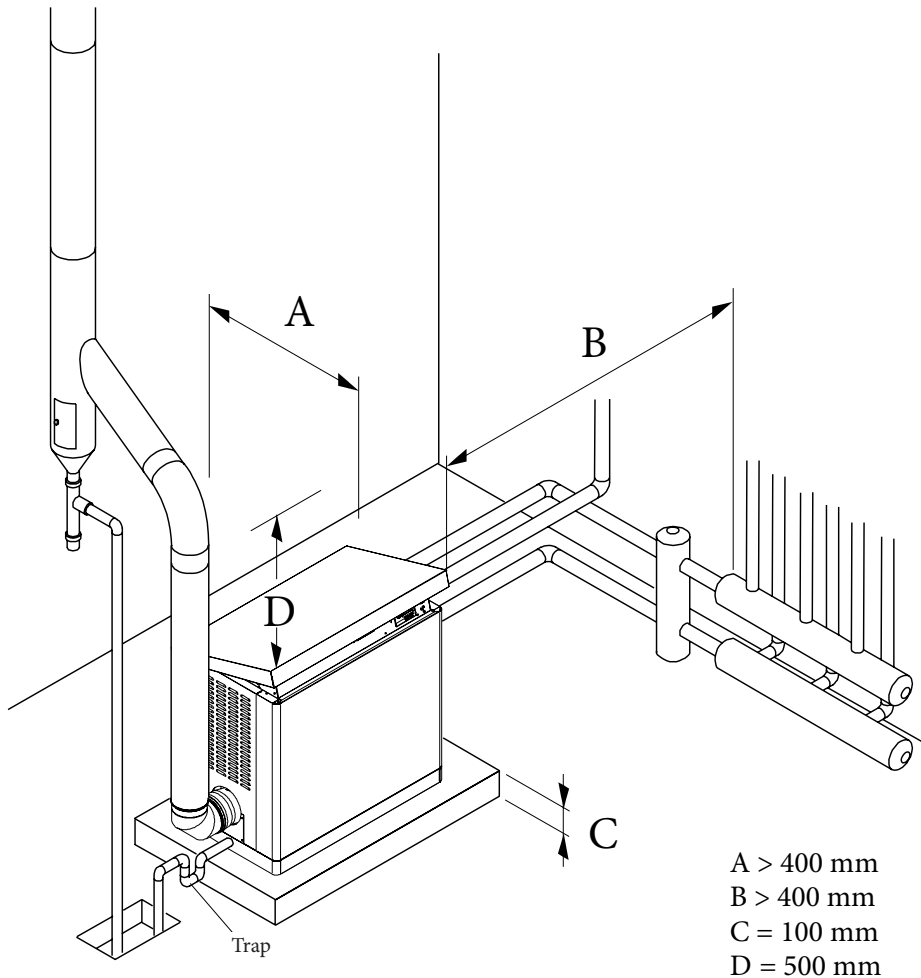
### 3.4 POSITIONING THE HEATING CONTROL UNIT

Special attention must be paid to local standards and regulations regarding heating control units, especially the minimum distances that must be observed.

Installation must comply with the requirements contained in the most recent standards and legislation regarding heating control units, heating system installation and hot water production, ventilation, flues suitable for condensation boiler combustion product exhaust, and any other applicable regulation.

The boiler can be placed on a flat platform that is sufficiently sturdy in size, in plan, no smaller than the boiler measurements and with a minimum height of at least 100 mm so that the trap for condensate drainage can be installed. Alternatively, a trap can be built from this platform, next to the boiler, at a depth of 100 mm so that the trap can be placed in it (Parag. 3.16).

When installation is complete the boiler should be perfectly horizontal and firmly stable (to reduce vibrations and noise).



Observe the minimum clearance distances required to perform normal maintenance and cleaning operations.

## 3.5 CONNECTING THE BOILER



The ARES Tec boiler leaves the factory set up for hydraulic (flow and return), gas and flue exhaust connections located on the right side of the boiler. To invert the connections from the right side (standard supply) to the left side it is necessary to carry out the operations below, depending on the connection that needs to be moved.

**Reversing flue exhausts.** To move the flue exhaust from Rt to Lt simply switch the two sides on the casing around. To move the exhaust located on the rear side, proceed as described below, depending on the boiler model.

- ONLY FOR MODELS 250 - 300 - 350 (Fig. A) it is necessary to request the flue kit comprised of a "T" and a closing plate over the hole on the Rt side of the casing.
- ONLY FOR MODELS 150 and 200 (Fig. B) it is necessary to request the flue kit comprised of a closing plate over the hole on the Rt side of the casing.

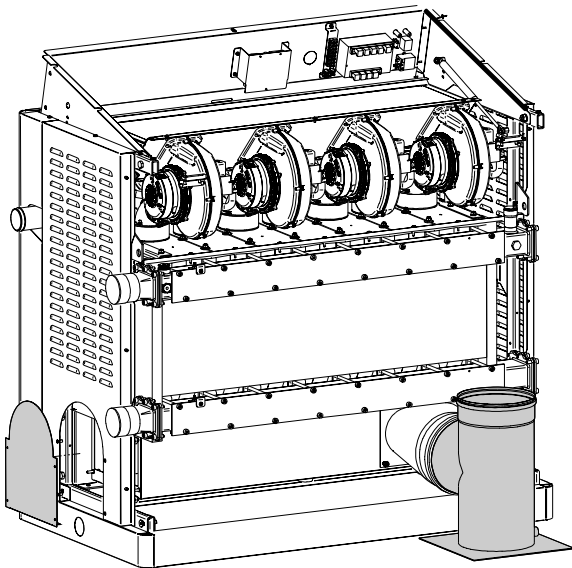


Fig. A

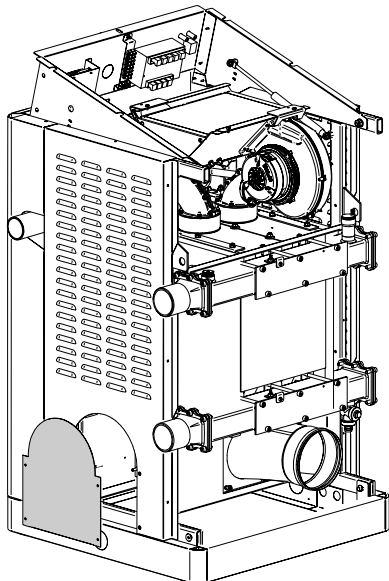


Fig. B

**Reversing Gas (Fig. C).** Switch the blind flange around with the flanged stud pipe.

**Reversing system flow and return (Fig. D).** Switch the blind flange around with the flanged stud pipe.

**Reversing hydraulic attachments (Fig. E).** Remove the pre-sectioned part on the attachments that you intend to move to the opposite side (only one or both) and close the Rt side of the casing with the caps supplied with the boiler.

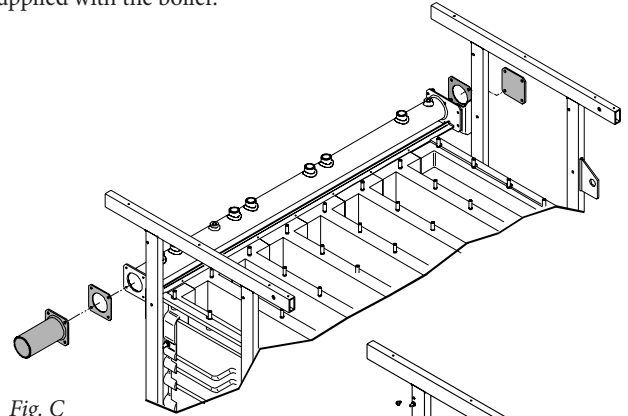


Fig. C

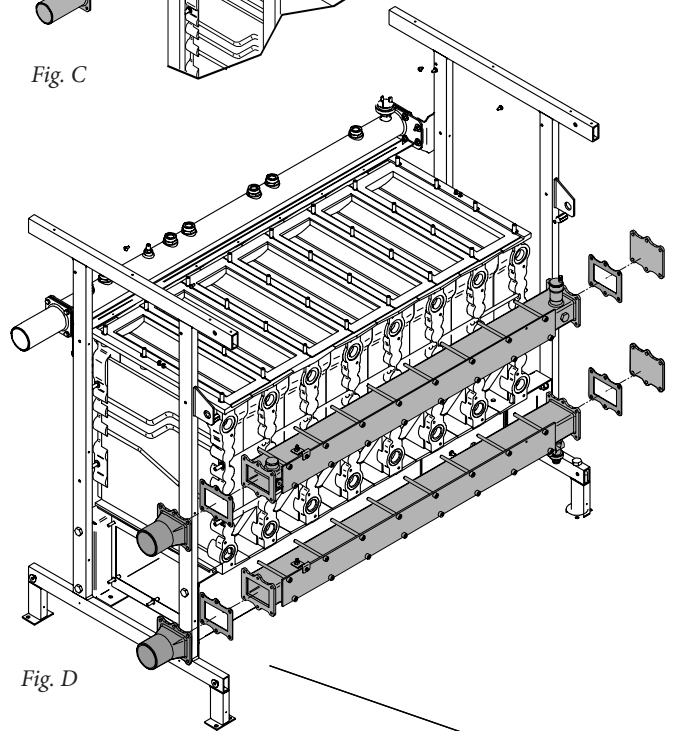


Fig. D

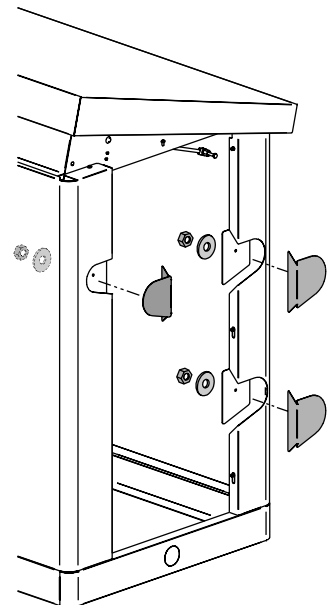


Fig. E

### 3.6 GAS CONNECTION

The gas intake pipe must be connected to the boiler using the respective G 2" fitting as indicated in parag. 2.3.

The supply pipe must have a section equal to or larger than the one used in the boiler and must nevertheless provide the correct gas pressure.

It is nevertheless advisable to adhere to the standard specifications and requirements in force, setting up a cut-off valve, gas filter, anti-vibration joint, etc.

Before commissioning an internal gas distribution system and therefore, before connecting it to the meter, it is necessary to thoroughly check the seal.

If any part of the system is not in view, the sealing test must be carried out before covering the pipe.



Before installation it is advisable to clean the inside of the fuel intake pipe thoroughly, in order to remove any residues that could stop the boiler from operating smoothly.



If you notice the smell of gas:

- a) Do not work the electrical switches, the telephone or any other object that can generate sparks;
- b) Immediately open doors and windows to create an air current that purifies the room;
- c) Close the gas valves;
- d) Seek the assistance of professionally qualified personnel.



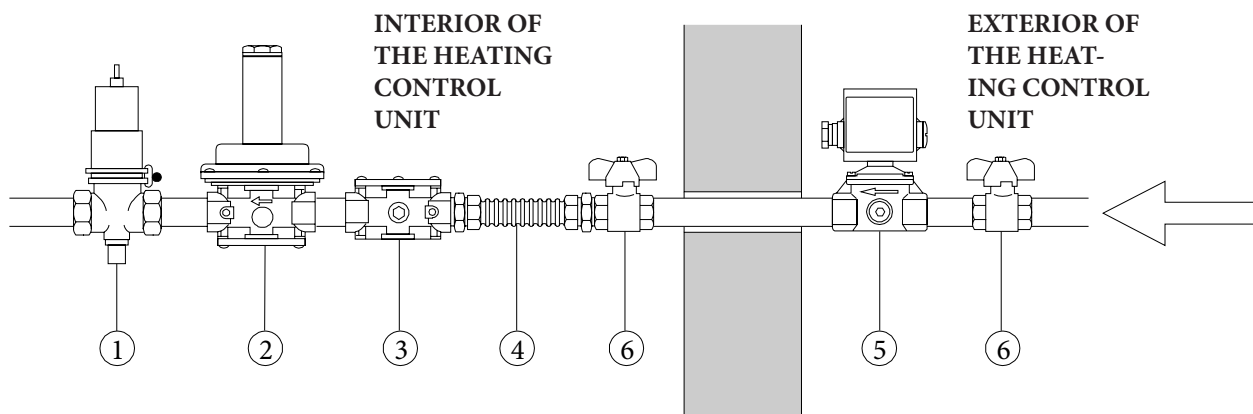
In order to prevent any gas leaks it is advisable to install a surveillance and protection system composed of a gas leak detector combined with a cut-off electrovalve on the fuel supply line.



**Danger!**

The gas connection must be set up by an authorised installation technician who must observe and apply the contents of the legislation in force and the local requirements of the gas supply company, as incorrect installation can cause damage to people, animals and property, for which the manufacturer will not be held liable.

EXAMPLE OF GAS INTAKE SYSTEM



Key:

- 1 - Fuel shut-off valve
- 2 - Double membrane regulator
- 3 - Gas filter
- 4 - Anti-vibration joint
- 5 - Gas electrovalve
- 6 - Cut-off valve

STD.005726/000

## INSTRUCTIONS FOR THE INSTALLER

### 3.7 SYSTEM FLOW AND RETURN PIPE CONNECTION

The heating flow and return must be connected to the boiler by the respective 2½" fittings F and R as indicated in parag. 2.3.

For heating circuit pipe sizing it is necessary to take into account the head losses induced by the components of the system and its configuration.

The layout of the pipes must be set up taking every necessary precaution to avoid air pockets and to facilitate continuous degassing of the system.



#### ATTENTION!

**Before connecting the boiler to the system proceed by thoroughly washing the pipes terminating at the boiler with a suitable product, in compliance with standards, in order to eliminate metal residues from machining and welding, any oil and grease that could affect its operation.**

**Do not use solvents to wash the system, as they might damage the system and/or its components.**

**Failure to observe the instructions in this manual can cause damage to people, animals and property, for which the manufacturer will not be held liable.**



Make sure the pipes in the system are not used as earthing connections for the electrical or telephone system. They are absolutely not suitable for this purpose. Serious damage to pipes, boiler and radiators could occur in a short amount of time.



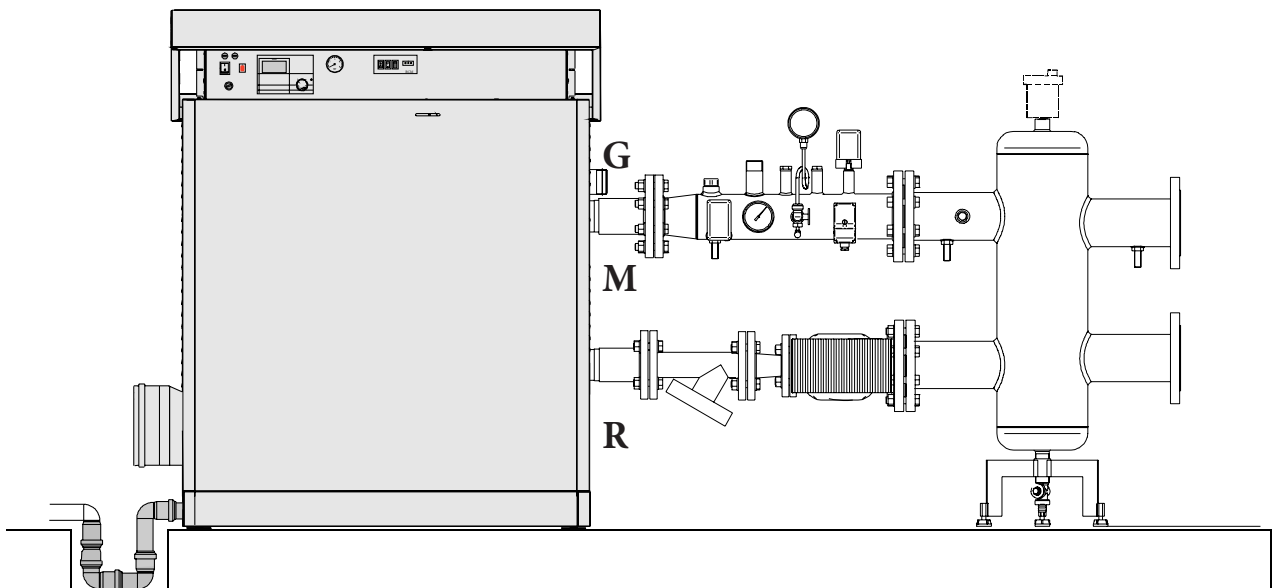
#### ATTENTION!

**IT IS ABSOLUTELY FORBIDDEN TO SET UP CUT-OFF DEVICES ON THE GENERATOR BEFORE THE SAFETY DEVICES.**



#### ATTENTION!

**THE MANUFACTURER DECLINES ALL LIABILITY IN THE EVENT OF DAMAGE CAUSED BY THE INSTALLATION OF AN AUTOMATIC FILLING SYSTEM.**





### 3.8 ADDITIONAL SAFETY, PROTECTION AND CONTROL DEVICES

**Certificate of additional safety devices:** closely consult the legislative regulations and safety provisions in force in the country of installation of the appliance.

Use the fuel safety and cut-off valves suitable for application and compliant with provisions in force.

The boiler is not equipped with an expansion vessel on the system. It is mandatory to install a closed expansion vessel to guarantee correct boiler operation. The expansion vessel must be compliant with standard requirements in force. The dimensions of the expansion vessel depend on the data for the central heating system. Install a vessel with a capacity, determined by an authorised designer, that responds to the requisites of the standards in force.

#### Safety devices.

- 1 **Gas cut-off valve:** this has the function of directly cutting-off the gas supply if the limit value of the water temperature is reached. The detection element must be installed as close as possible to the generator output (flow pipe) at a distance of < 500 mm, and must not have a cut-off device installed on it. **Not supplied by Immergas**
- 2 **Safety valve:** this has the function of unloading the fluid contained in the generator into the atmosphere when it reaches the maximum operating temperature for any reason. **Not supplied by Immergas**

#### 2a Visible draining funnel. Not supplied by Immergas

Set up a safety valve, on the flow pipe, sized for boiler capacity, within 0.5 m of the boiler, and in compliance with regulations in force.



#### Attention!

Remember it is forbidden to set up any type of cut-off device between the boiler and the safety valve, and it is also advisable to use valves for operation that does not exceed the maximum allowed operating pressure.

#### Attention!

Set up a runoff pipe with funnel and trap on the heating safety valve, that lead to a suitable drain. The drain must be visually controlled.

The manufacturer will not be held liable in the case of failure to observe this precaution, where any work on the safety valve may cause damage to people, animals and property.

#### Protection devices.

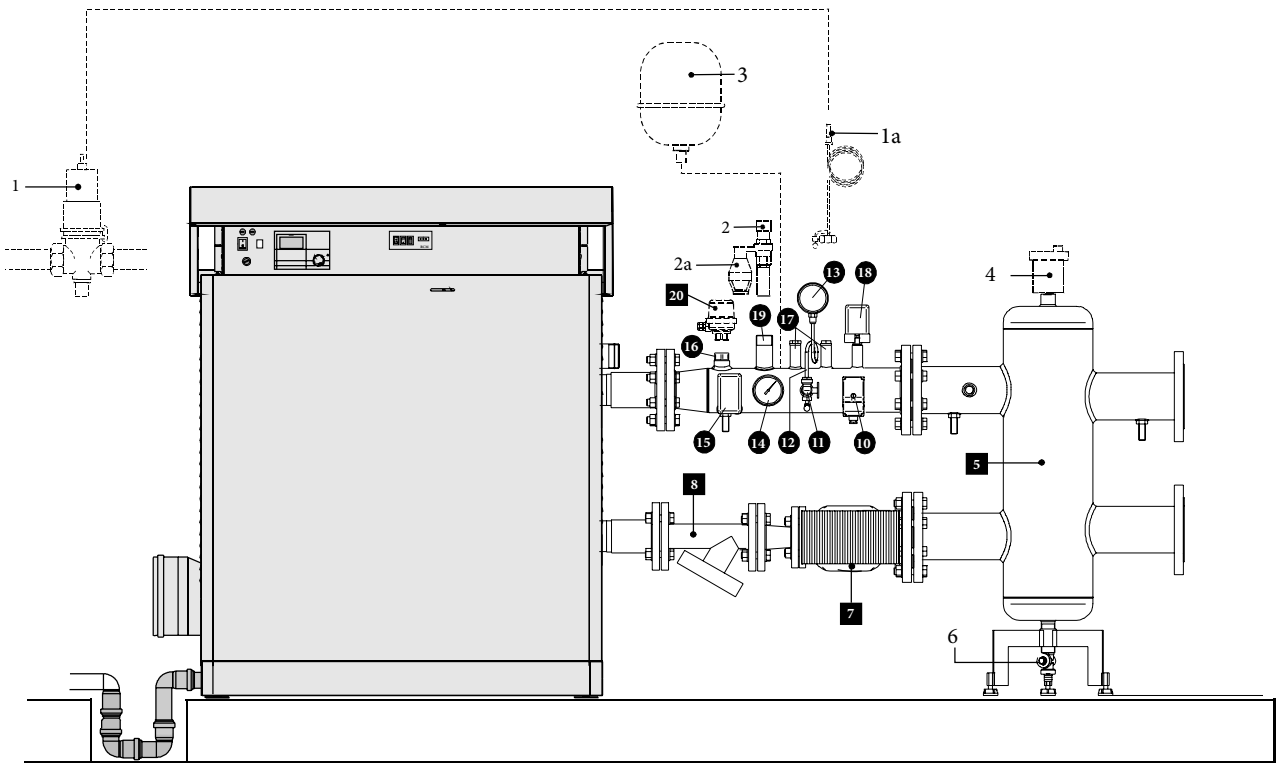
- 10 **Safety thermostat:** this is designed to stop the generator if the safety thermostat installed on the boiler fails to operate correctly. It must have an IMMOVABLE calibration of < 100°C.
- 15 **Minimum pressure switch:** this is designed to stop the generator if the minimum operating pressure drops (can be calibrated between 0.5 ÷ 1.7 bar). It must be manually re-armed.
- 16 **Extra sleeve G1".**
- 18 **Safety pressure switch:** this is designed to stop the generator if the maximum operating pressure is reached (can be calibrated between 1 ÷ 5 bar).

#### Control devices.

- 13 **(Pressure indicator - not supplied) with (12) damper pipe and (11) pressure gauge valve:** it indicates the existing effective pressure in the generator, it must be graduated in "bar", its full scale must match the maximum operating pressure and be equipped with a three-way valve with an attachment for the control pressure gauge.
- 14 **Thermometer:** this indicates the effective temperature of the water contained in the generator, it must be graduated in centigrade with a full scale of no more than 120°C.
- 17 **Inspection traps:** approved for the inclusion of control devices.
- 20 **Flow switch:** this is designed to stop the generator in case of poor water circulation inside the primary ring.
- 3 **Approved expansion vessel:** this absorbs the increase in volume of water in the system following an increase in temperature. **Not supplied.**
- 7 **Modulation pump (Not included in the kit).**
- 4 **Bleeder valve. Not supplied by Immergas.**
- 6 **Draining valve. Not supplied by Immergas.**

# INSTRUCTIONS FOR THE INSTALLER

## Recommended installation



### 3.9 DETERMINING THE PRIMARY CIRCUIT PUMP OR BOILER PUMP

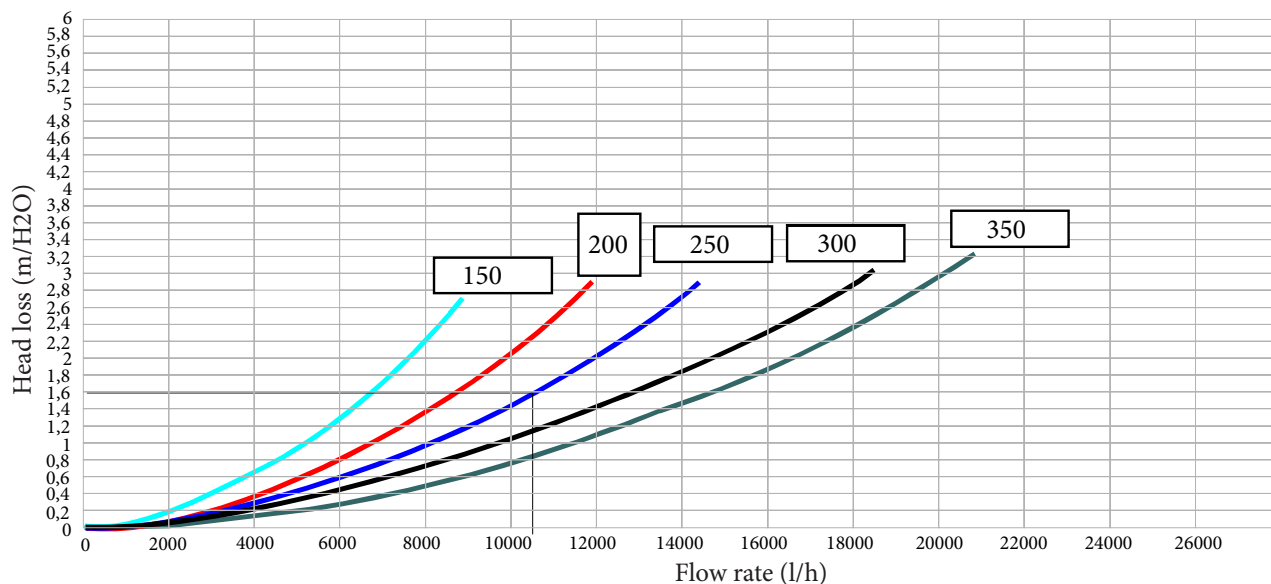
Immergas provides a series of primary rings complete with an accurately sized pump, if alternative solutions are being used, the boiler pump must have a head that is capable of ensuring the flow rates represented in the "Water side head losses" graph.

The table below roughly indicates the flow rates of the pump based on the  $\Delta t$  of the primary circuit if the installation is equipped with a hydraulic separator.



The pumps must be determined by the installer or designer based on the data for the boiler and system. The resistance curve on the water side of the boiler is represented in the table provided below. The pump is not an integral part of the boiler. It is advisable to choose a pump with a flow rate and head of approximately 2/3 of its typical curve.

Power in kW	150	200	250	300	350
Maximum flow rate in l/h ( $\Delta t = 15$ K)	8376	11192	14018	16856	19712
Nominal requested flow rate in l/h ( $\Delta t = 20$ K)	6282	8394	10514	12642	14784



**EXAMPLE:**  
For a  $\Delta T$  20K, of an ARES 250 Tec the maximum required flow rate is 10514 l/h.  
From the head loss graph it is possible to deduce that the pump must ensure a head of at least 1.6 m/H<sub>2</sub>O.

**NOTE:** it is advisable to always use the hydraulic separator between the boiler circuit and the system.

## INSTRUCTIONS FOR THE INSTALLER

### 3.10 CONDENSATE DRAIN

The condensate drain into the sewer must be:

- built to avoid gaseous combustion products from leaking out into the environment or the sewer (trap).
- sized and built to allow liquid discharge to runoff correctly, preventing any leaks (gradient of 3%).
- installed to avoid the liquid contained in it from freezing, under the envisioned operating conditions.
- can be easily inspected from the relative trap.
- mixed with household wastewater, for example, (washing machine and dish washer drains etc.) with a mainly alkaline pH so as to form a buffer solution to send it into the sewers.

The condensate must not be left to stagnate in the combustion product drainage system (for this very reason the evacuation pipe must be set up at an inclination of at least 30 mm/m, running towards the drain) except for any liquid head, in the drain trap of the combustion product evacuation system (which must be filled after installation and at a minimum height with all of the fans operating at maximum speed of at least 25 mm) - see figure.

It is forbidden to drain the condensate towards rain pipes, given the risk of ice and degradation of materials normally used to build the rain pipes themselves.

The drain fitting must be visible.

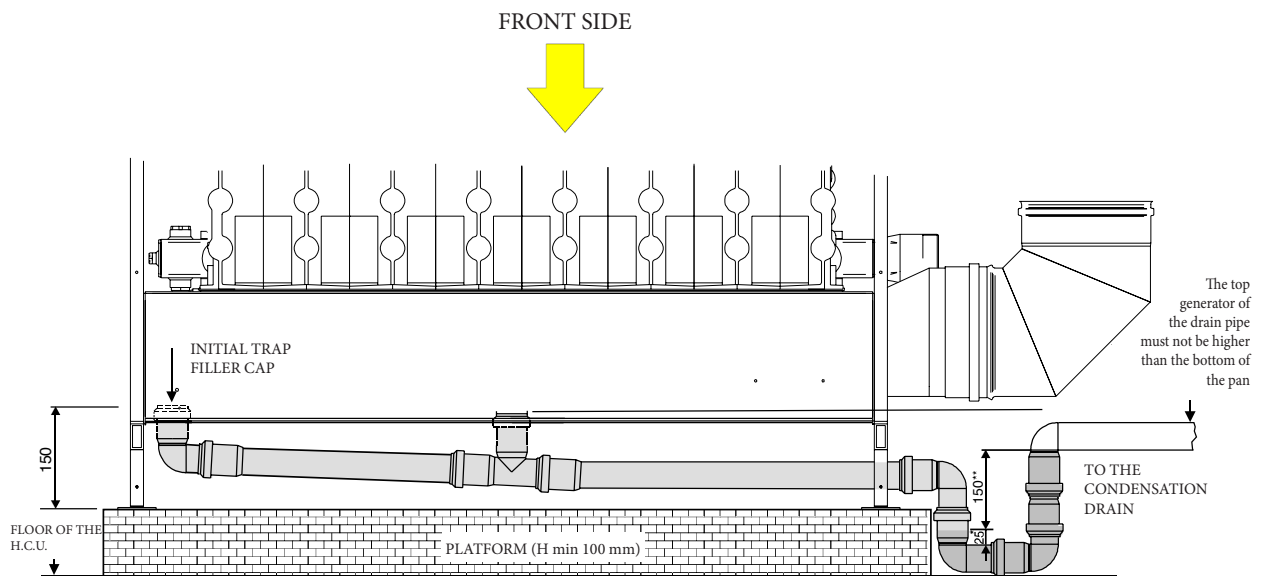
Given the degree of acidity of the condensate (pH between 3 and 5) suitable plastic materials must be used to build the drain pipes.

The condensate drain pipe outlet is set up towards the connection side of the flue box manifold, removing the pre-sectioned part on the cover panel.

The recommended material for use must be PE (polyethylene) or PPI (polypropylene).



**Before igniting the generator, fill the trap through the relative cap.**



\* Minimum safety trap enforced by regulation.

\*\* Minimum head with boiler operating at maximum power.

If you do not want to or are able to create a platform, it is possible to install the boiler on the floor and set up the trap at a depth of 100 mm.

### 3.11 CONNECTING THE FLUE

Exhaust is discharged at very low temperatures (Max 84°C approx) in condensation boilers. It is therefore necessary for the flue to be perfectly impermeable to combustion product condensate and built with suitable corrosion-resistant materials.

The various slip on joints must be well-sealed and equipped with suitable gaskets to stop condensation from leaking out and air from getting in. In terms of flue section and height, it is necessary to refer to national and local regulations in force.

Refer to regulations in force for sizing.

In order to avoid the formation of ice during operation, the temperature of the inside wall at every point in the combustion product evacuation system, for its entire length, must not drop below 0°C.

For condensation operating conditions of the appliance at project outdoor temperatures, it will be necessary to build a confluent condensate drainage system, based on the installation conditions, either to the boiler collection tank or separate from it.

**The flue exhaust pipe must comply with local and national regulations.**

**The evacuation pipe must be built using materials that are resistant to the combustion products, typically class W1 certified stainless steel or plastic materials.**

Such as PVDF (polyvinylidimethylfluoride) or PPS (simple translucent polypropylene) or aluminium or other materials with the same features, in observance of regulation in force.



**The supplier is excluded from any contractual and extra-contractual liability for damage caused by errors in installation and use and nevertheless due to failure to observe the instructions provided by the manufacturer.**

Model	Modules	Ø Attachment
150	3	150
200	4	150
250	5	200
300	6	200
350	7	200

### 3.12 FLUE EXHAUST MANIFOLD CONNECTION

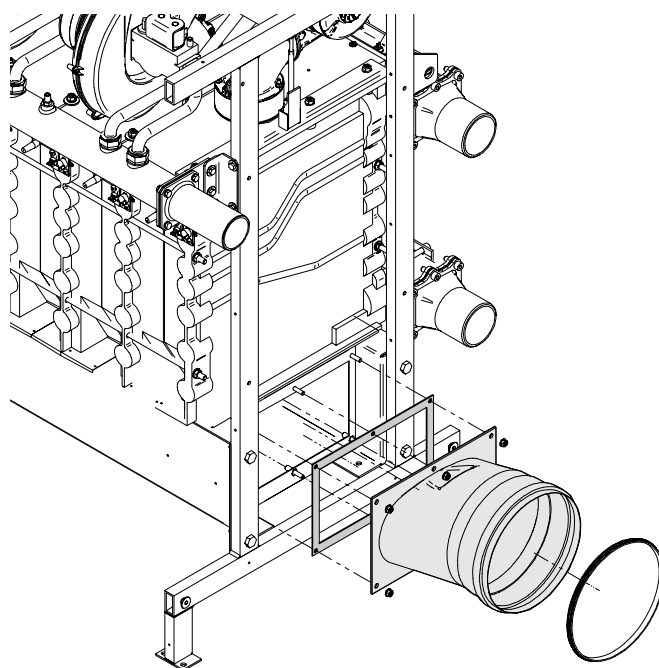
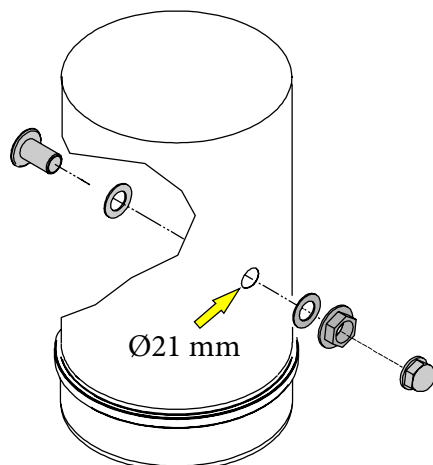


To secure the flue exhaust manifold use the 6 nuts + CH 10 washers contained in the bag.



**The flue point must be positioned on the first straight section, within 1 meter of the boiler.**

To set up the flue inspection point, cut a Ø 21 mm hole in the flue exhaust pipe, and install the inspection point following the sequence provided.



## INSTRUCTIONS FOR THE INSTALLER

### 3.13 ELECTRICAL CONNECTIONS

#### GENERAL RECOMMENDATIONS

Electrical safety of the appliance is only ensured when it is correctly connected to an efficient earthing system as specified by current safety standards: gas, water and heating system pipes are not suitable in any way whatsoever as earthing connections.

It is necessary to check this fundamental safety requirement; In case of doubt, have an accurate inspection of the electrical system carried out by professionally qualified personnel, as the manufacturer is not responsible for any damage caused by the lack of an earthing connection in the system.

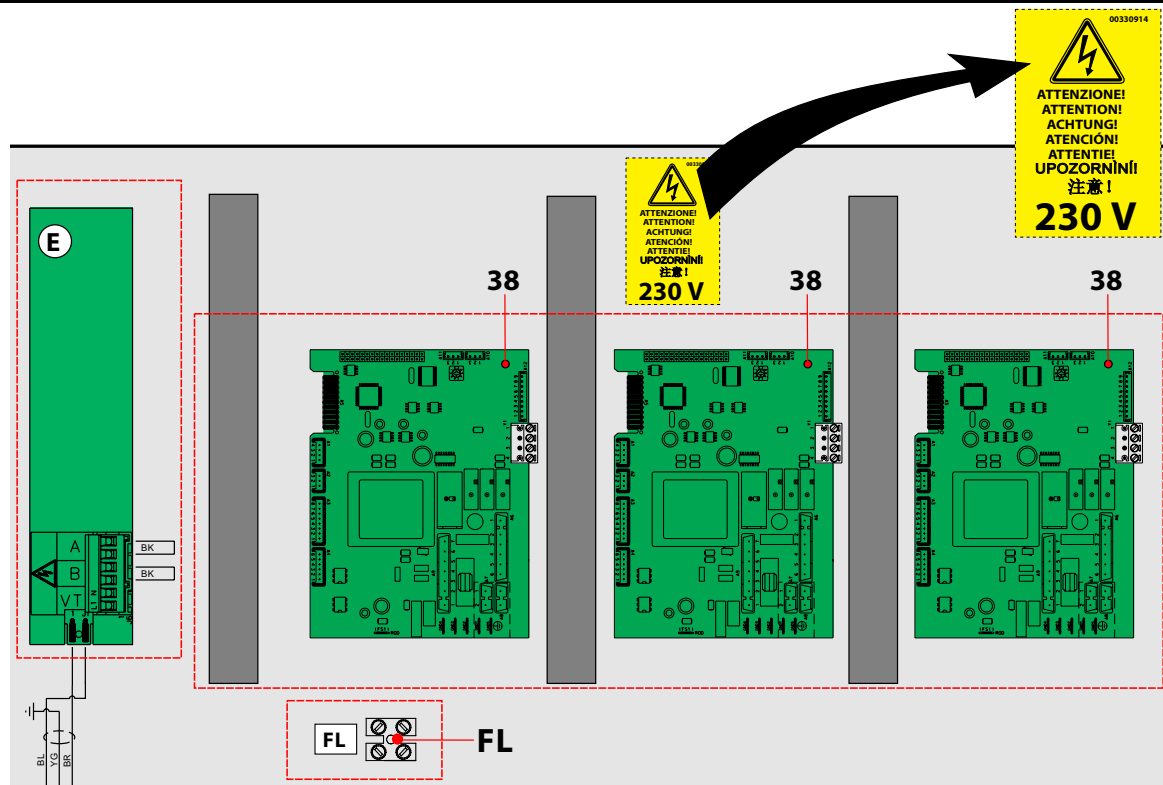
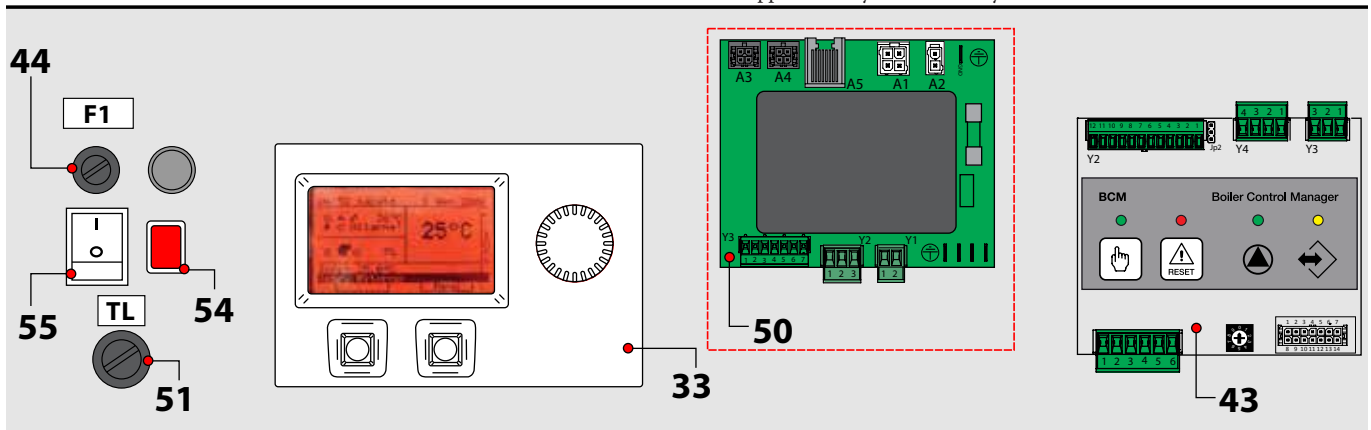
Have professionally qualified personnel make sure the electrical system is suit-

able for the maximum power absorbed by the appliance, as stated on the plate, making sure in particular that the section of the system's cables is suitable for the power absorbed by the appliance.

For the main power supply to the appliance, never use adapters, multiple sockets and/or extension leads.

The use of components involving use of electrical power requires some fundamental rules to be observed such as:

- do not touch the appliance with wet and/or moist parts of the body and/or barefoot;
- do not pull the electric cables;
- the appliance may not be used by children or unskilled individuals.



#### KEY

N°	Wiring diagram	Description
33		Heat adjuster HSCP
38	BMM	Burner management board
43	BCM	230 V power supply clamps
44	F1	Boiler pump
50		Fuse power supply 6.3 A

51	TLG	General manual reset limit thermostat (model 350)
54	LTGL	Limit thermostat lamp TLG (model 350)
55		Main boiler switch
E		Power supply distribution board
FL		Connection for flow switch
D		Wieland power plug 230V - 50Hz

## INSTRUCTIONS FOR THE INSTALLER



**Danger!**  
Electrical installation must only be carried out by an authorised company.  
Before setting up the connections or any operation on the electrical parts, always cut-off the electrical supply and make sure it cannot be accidentally re-connected.



The electrical supply to the boiler, 230 V - 50 Hz single phase, must be carried out on point A, included, with a H05VV-F (PHASE - NEUTRAL - GROUND) three-pole cable with a section between 0.75 mm and 1.5 mm. This connection must be set up by state of the art, as envisioned by regulations in force.

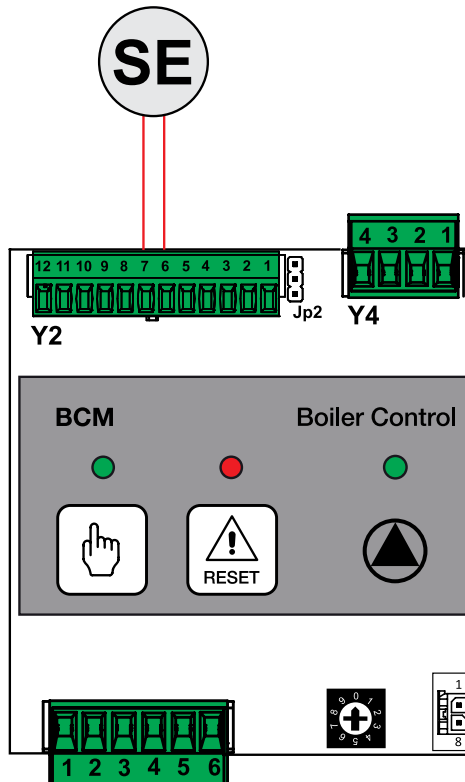


Remember that it is necessary to install a bipolar switch on the electrical supply to the boiler with a max distance between the contacts of 3 mm, easy to access, so that maintenance operations can be carried out quickly and safely.



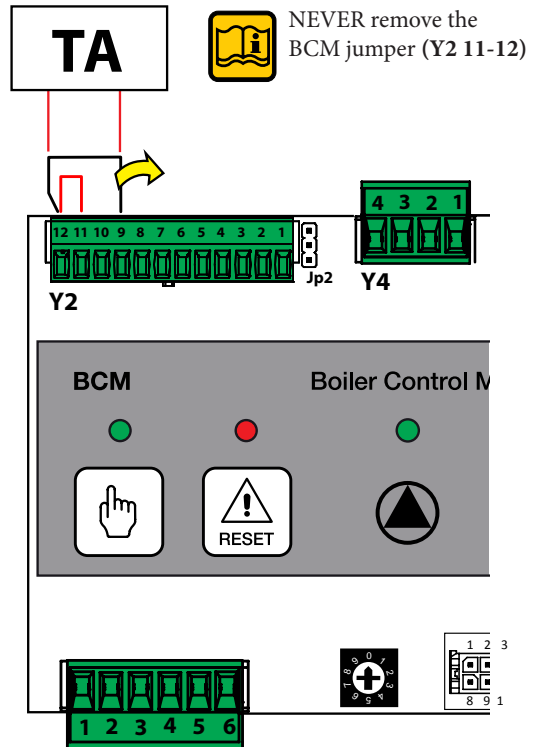
**ATTENTION!**  
Respect the PHASE and NEUTRAL polarity since flame detection is Phase Sensitive.

### External probe connection



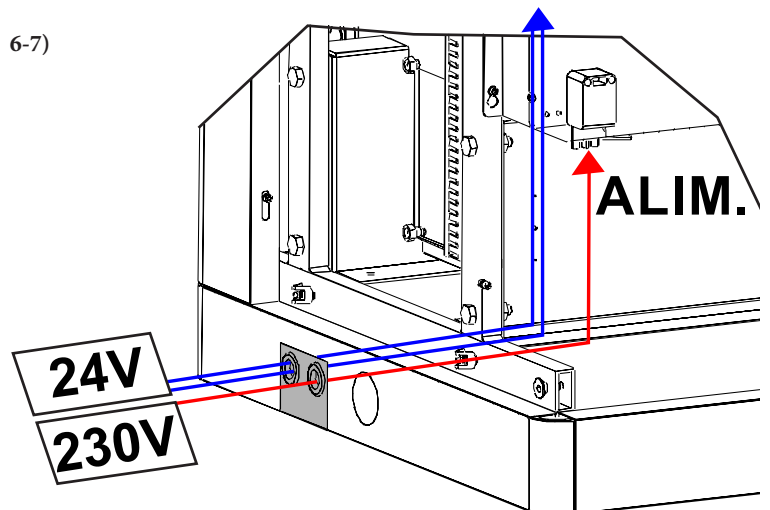
Set up on the terminal board, BCM (Y2 6-7)

### Connection TA - Clock (Optional)



Set up on the terminal board, BCM (Y2 9-12)  
Remove **only** the jumper BCM (Y2 9-12)

### E8 - BCM



**ATTENTION:**  
Cables carrying a voltage of 230 V must travel separately from cables carrying a voltage of 24 V.

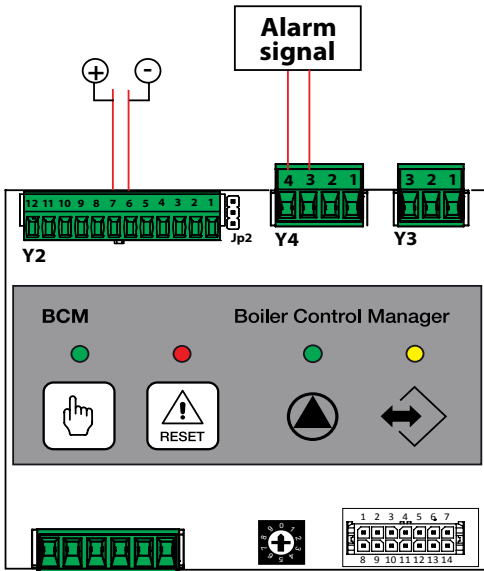
## INSTRUCTIONS FOR THE INSTALLER



### NOTE:

The boiler is provided with set-up to manage one direct flow and one storage tank.  
If **Stemp. ACC** is connected automatically, the DHW service is enabled, which will be managed as a priority compared to direct flow through the pumps shown below.

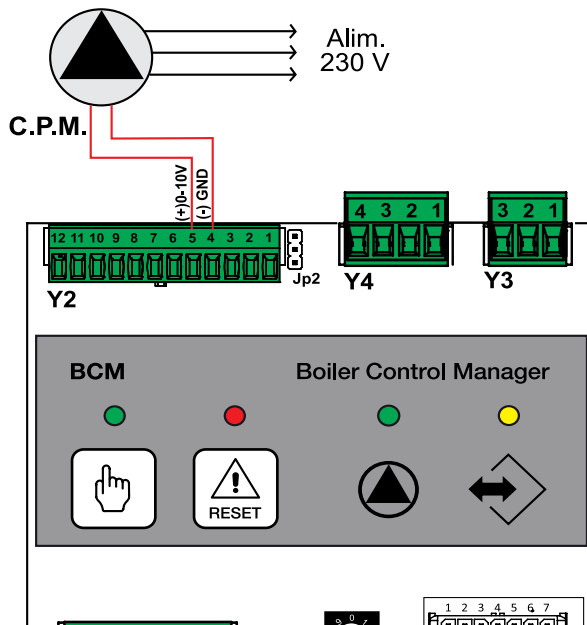
Alarm / signals contact (N.O. dry contact)  
Ext signal contact 0 - 10 V



Connect the cables as indicated (Y4 3-4)  
Connect the cables (Y4 7-8)

Connection Mod. P. Central Heating Modulating Pump (Optional)

### P. Mod.



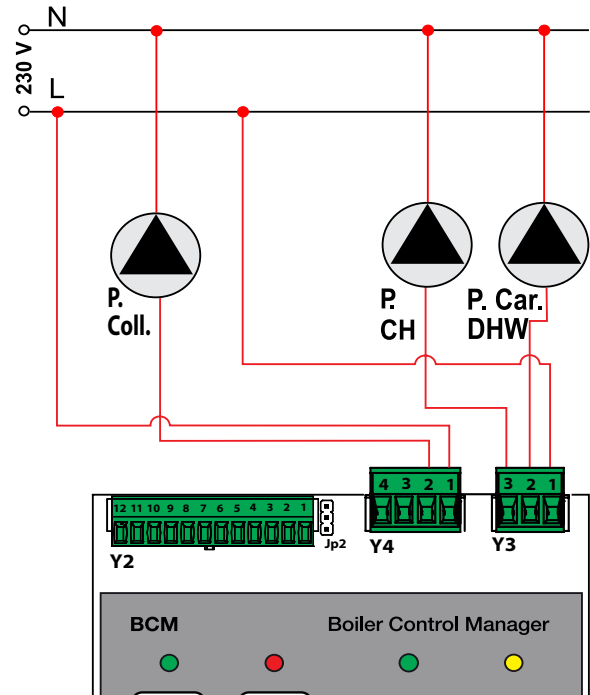
Connect the modulation control cables as indicated (Y2 4-5).  
External power supply 230 V-50 Hz.

If other services (storage tanks, mixed zones, solar, etc.) are requested, it is necessary to purchase **SHC** multifunction modules to connect to the local bus for total temperature control management via HSCP (and UFLY).



The BCM relay contacts support pumps with max absorption of 4 A.

P. Coll - Pump Manifold (Primary ring) (Optional)  
P CH - Heating circuit pump (central heating circuit)  
P. Car DHW - Storage tank load pump

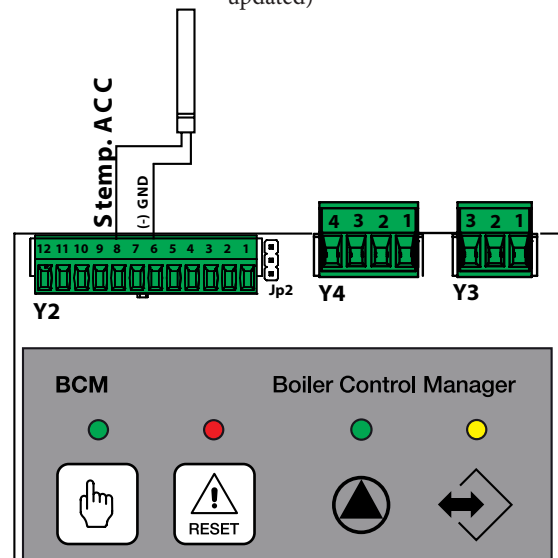


Connect the cables as indicated (Y4 1-2)  
Connect the cables as indicated (Y3 1-2-3)

Stemp. ACC. Storage Tank Temperature Sensor



If the storage tank temperature sensor is connected, the DHW is automatically activated when the boiler is powered.  
The code (803) Srv (it is automatically updated)

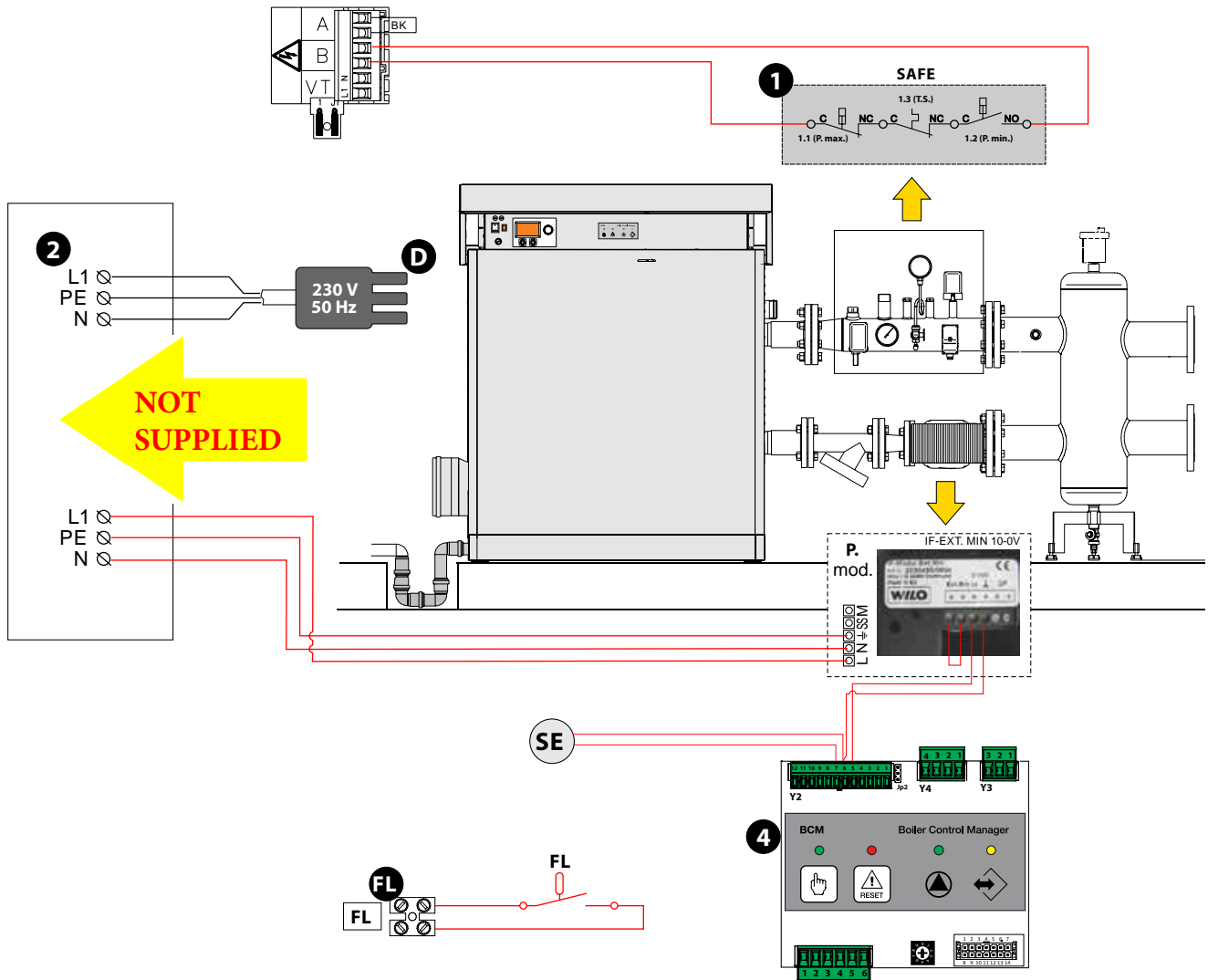


Connect the temperature sensor cables as indicated (Y2 6-8).



### 3.14 CONNECTION DIAGRAM

POWER SUPPLY, INAIL, MODULATION PUMP, EXTERNAL PROBE, FLOW SWITCH.



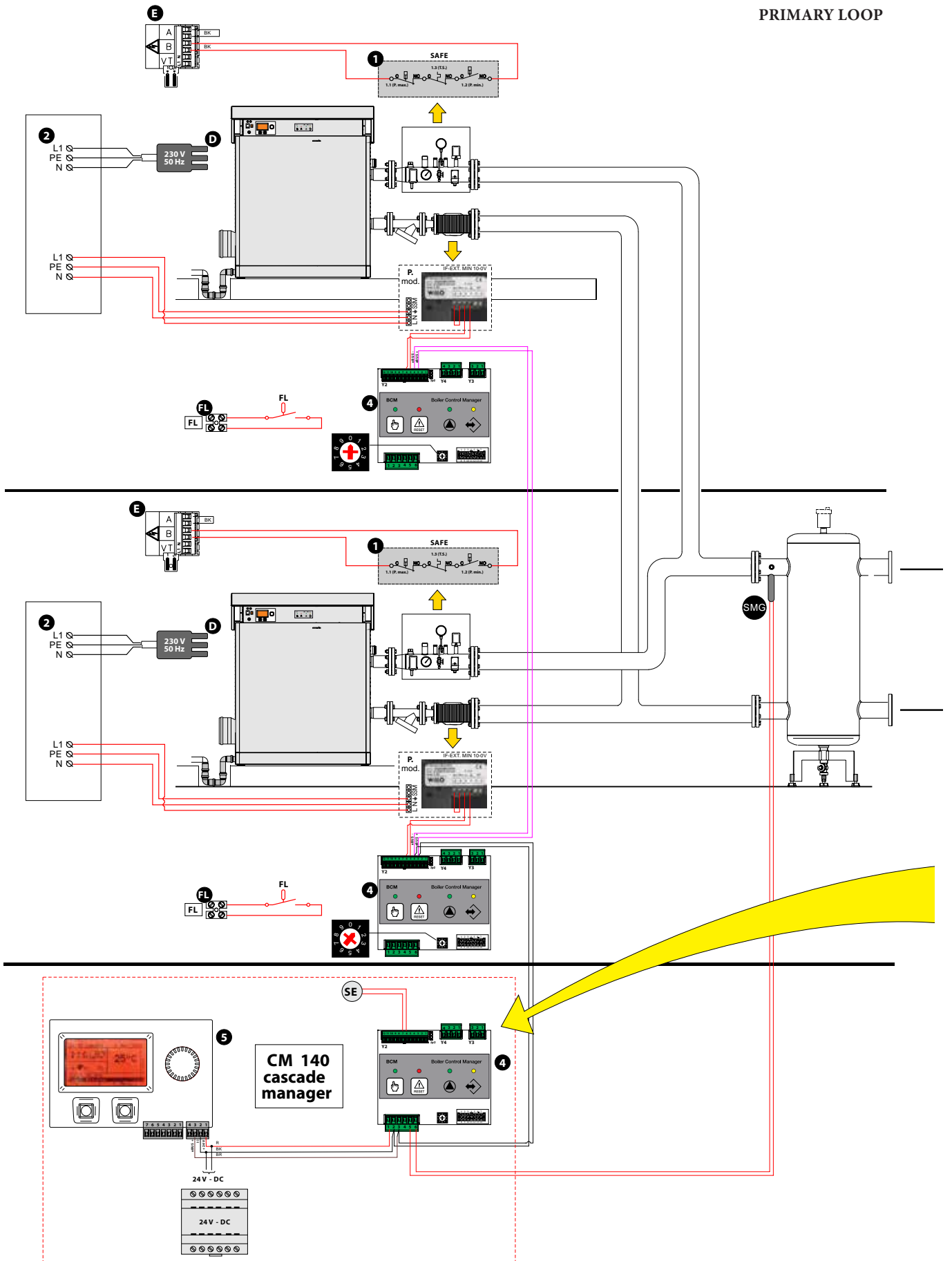
LEGENDA	
N°	Description
1	INAIL - SAFETY DEVICES
2	General electrical control panel (Not supplied)
4	BCM Connection clamps BCM
E	Power supply distribution board
D	Wieland power plug
FL	Terminals for flow switch
SE	External probe
SMG	Global flow probe
P on_off	Manifold pump connections (on_off)
P mod	Modulating pump connections

STD.005726/000

# INSTRUCTIONS FOR THE INSTALLER

2 ARES Tec connected in a set, managed by Cascade Manager.

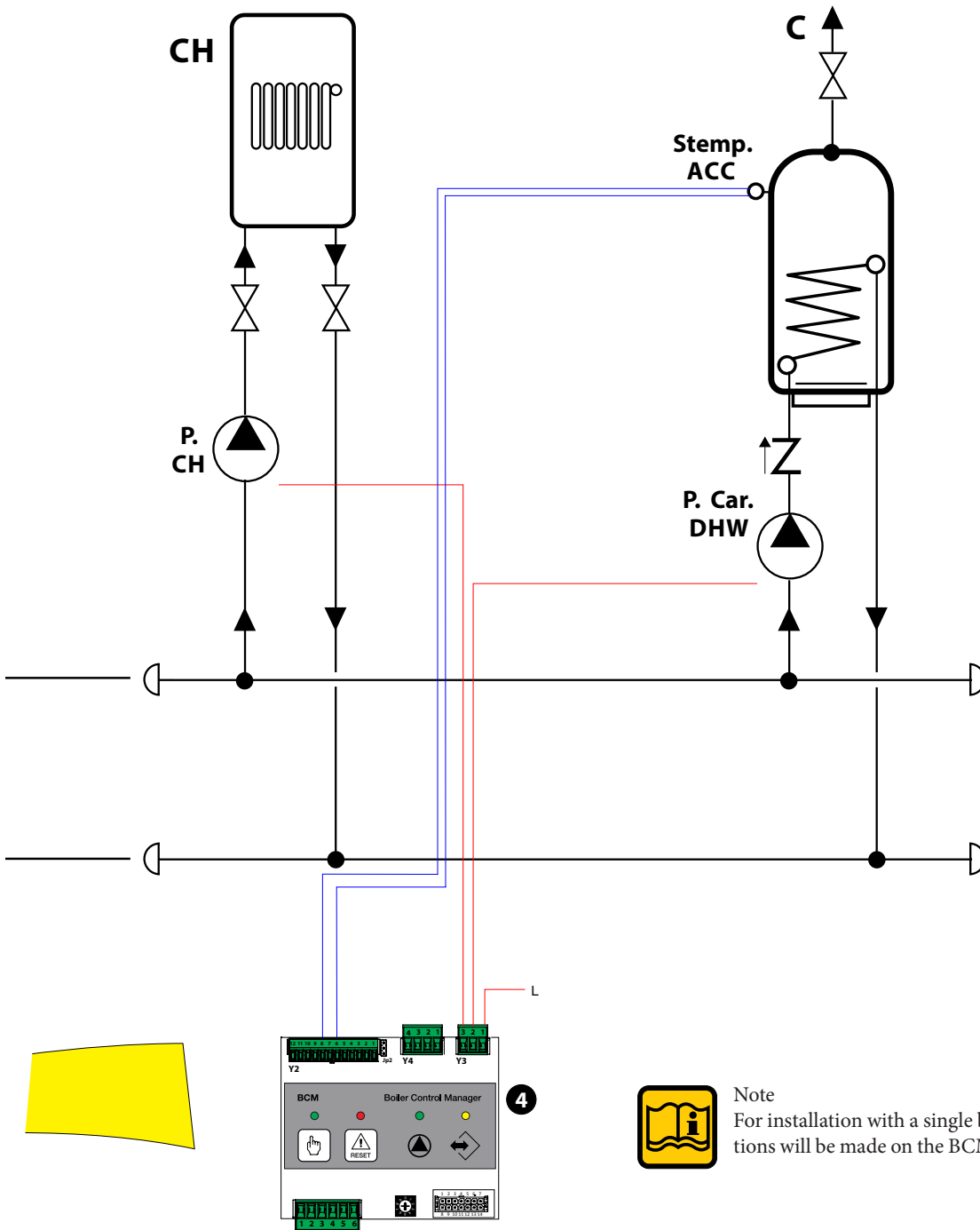
PRIMARY LOOP



STD.005726/000

Ares Tec connection 2 in battery controlled by Cascade Manager with Direct Zone plus Production of Domestic Hot Water.

SECONDARY LOOP



Note  
For installation with a single boiler, the above connections will be made on the BCM board inside the boiler



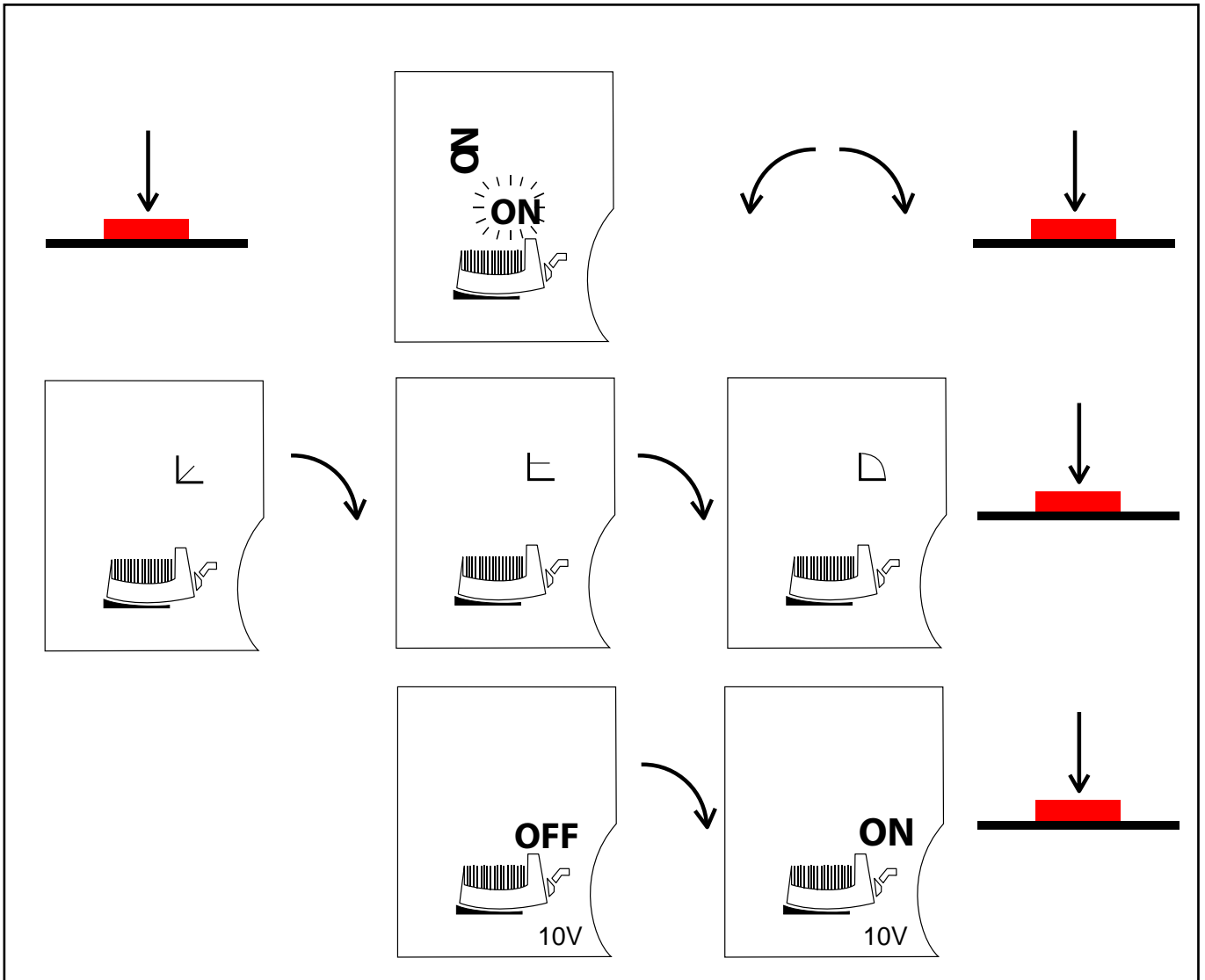
Note  
For configuration of boiler cascade management parameters, see the specific installation manual



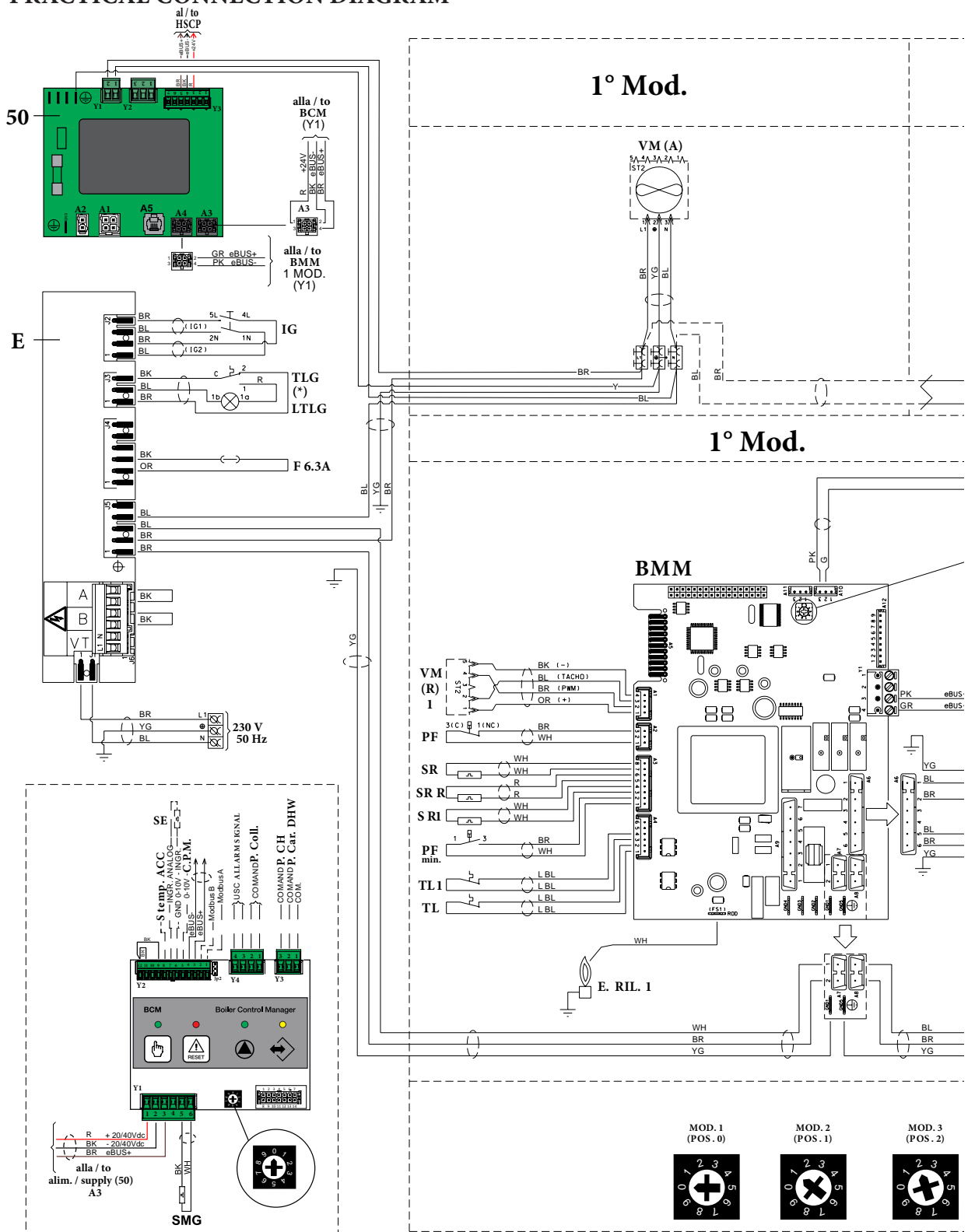
Note  
Example diagram, consider the total nominal flow rate, any non-return valves (not supplied), moreover, the efficiency of the flow switches must be checked at each flow rate in modulation

## INSTRUCTIONS FOR THE INSTALLER

Wilco Stratos modulating Pump setting (Enable ext 0 - 10 V input).



3.15 PRACTICAL CONNECTION DIAGRAM



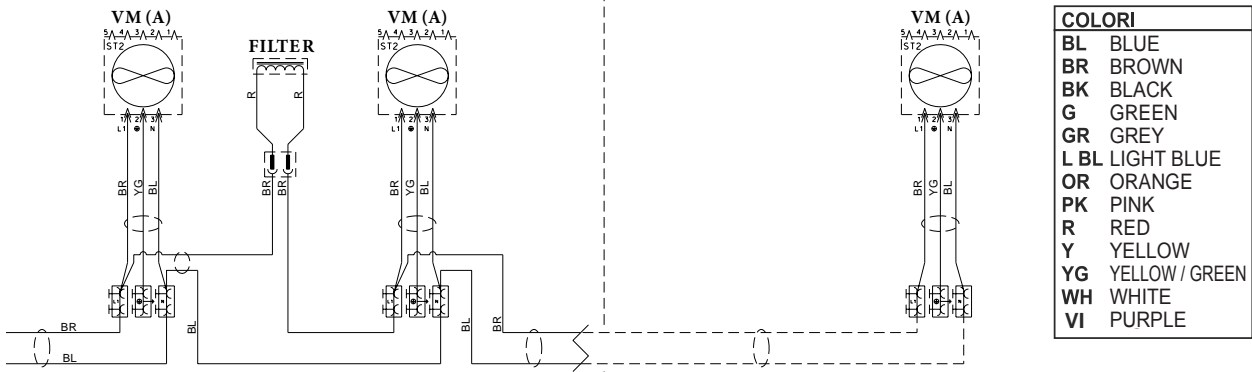
KEY	
E. ACC.	Ignition electrode
E. RIL.	Detection electrode
SR	Heating sensor (only 1° module)
SR 1÷7	Local heating sensor
PF	Flue pressure switch (only 1° module)
PF min	Minimum flue pressure switch (only 1° module)

HSCP/ Ufly	Thermoregulation
SL	Condensate level sensor (2° module)
T. ACC.	Ignition transformer
TL	Safety thermostat
TL 1÷7	Local Safety thermostat
VG	Gas valve

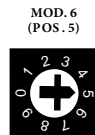
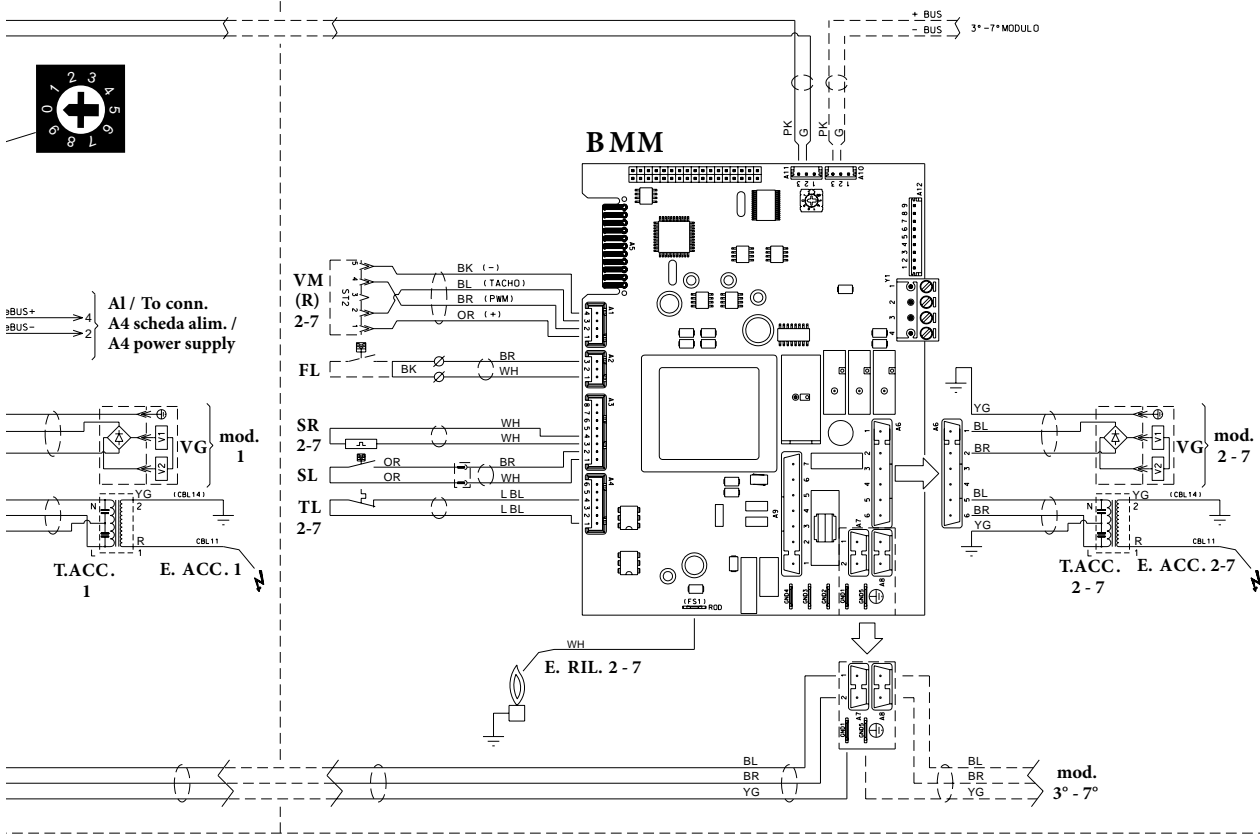
VM (A)	Modulating fan power supply
VM (R)	Modulating fan adjustment/Det.
SRR	Global return sensor
<b>BCM</b>	
SMG	Global flow sensor
S. temp. ACC.	Storage tank temperature sensor
SE	Outdoor temperature sensor

# INSTRUCTIONS FOR THE INSTALLER

## Intermediate and Last Module



## 2° - 7° Mod.



INGR. ANALOG.	Analogue input
GND 0-10V ING	0-10 V analogue input
0-10V C.P.M.	Modulating Pump Control
ALLARM SIGNAL	Alarm Outlet
Comm. P. COLL	Boiler manifold pump control
Comm. P. CH	Central heating pump control

P. car DHW	Storage tank load pump control
COM.	Common
IG	Main switch
TLG	General limit thermostat
LTLG	Limit thermostat lamp
F	Fuse

### 3.16 SYSTEM FILLING AND EMPTYING



**ATTENTION!**

Do not mix the heating water with antifreeze or anti-corrosion substances at incorrect concentrations! This may damage the gaskets and cause noise to develop during operation.

Immergas will not be held liable in case of damage caused to people, animals or property due to failure to observe the above.

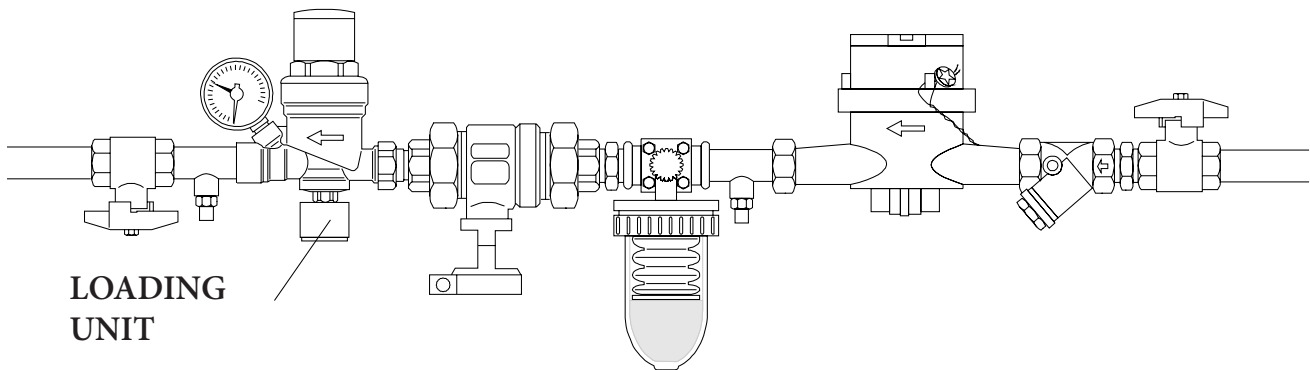
Once all of the connections for the system have been set up, it is possible to fill the circuit.

To fill the system it is possible to set up a loading valve on the system's return pipe.

It can also be filled through the drain valve installed on the boiler return manifold.

The boiler is equipped with an emptying valve, positioned as indicated in the figure of parag. 2.2. This valve must **never** be used to empty the system, since all of the dirt contained in the system may accumulate in the boiler, jeopardising smooth operation. Accordingly, the system must be equipped with its own emptying valve, of a suitable size for the flow rate of the system.

EXAMPLE OF SYSTEM LOADING UNIT



### 3.17 BOILER FROST PROTECTION

If the flow temperature (measured at the global flow NTC) should fall below 7°C the system pump starts operating.

If the temperature drops any further (under 3°C), all modules are commissioned at the minimum power until the return temperature does not reach 10°C. This device protects the boiler only. In order to protect the system as well, it is necessary to add antifreeze liquid.

**NB: The antifreeze liquid must be compatible with materials present in the entire system and tolerable for aluminium alloys.**

STD.005726/000

## INSTRUCTIONS FOR THE INSTALLER

### 3.18 CHECK THE ADJUSTMENT OF THE PRESSURE TO THE BURNER



#### ATTENTION!

All of the instructions below are provided for the exclusive use of **authorised assistance** personnel.

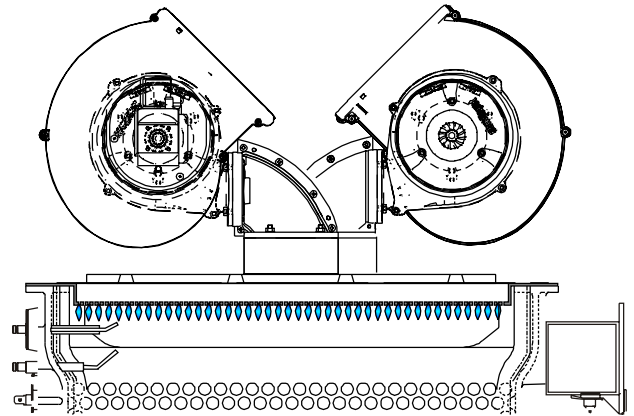


All boilers leave the factory calibrated and approved, nevertheless, if the calibration conditions need to be changed it is necessary to re-calibrate the gas valve.



#### ATTENTION!

Remove cap 2, attach the red cap 3 to the flue point 1. Place the CO<sub>2</sub> analysis probe 4 in the hole on the cap. Once the measurement has been made, take the cap out and use the relative cap 2 to close the flue exhaust point back up.

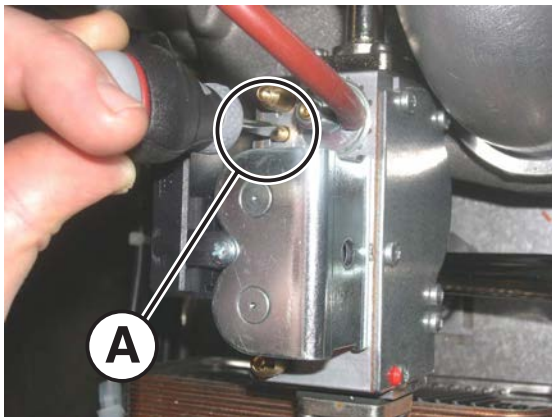
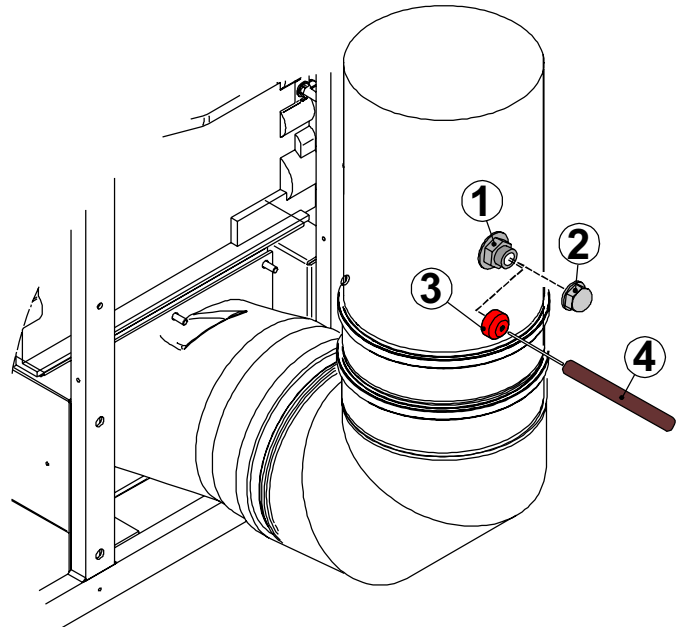


#### A) Adjustment at maximum power.

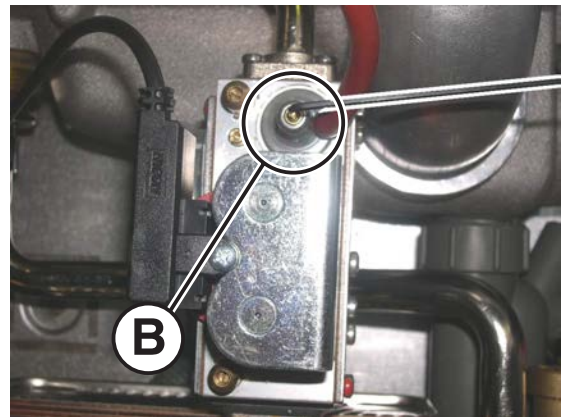
- Unscrew the closing cap for flue exhaust analysis point.
- Place the analyser probe inside the flue analysis point.
- Make burner 1 operate at max power, following the procedure illustrated below in "chimney sweep function " (100% CASC MANUAL).
- Make sure that the CO<sub>2</sub> level falls within the values indicated in the "Nozzle pressure" table.
- Possibly correct the value by turning adjusting screw "A" CLOCKWISE to decrease it and COUNTER-CLOCKWISE to increase it.

#### B) Adjustment at minimum power.

- Make burner 1 operate at min power, following the procedure illustrated below in "chimney sweep function " (10% CASC MANUAL).
- Make sure that the CO<sub>2</sub> level falls within the values indicated in the "Nozzle pressure" table.
- Possibly correct the value by turning adjusting screw "B" CLOCKWISE to increase it and COUNTER-CLOCKWISE to decrease it.



A



B



MAXIMUM POWER  
ADJUSTING SCREW



MINIMUM POWER  
ADJUSTING SCREW



## INSTRUCTIONS FOR THE INSTALLER



Follow this procedure to adjust the other modules as well.

If the measured flow rate is too low, make sure the supply and draining systems (the supply and draining pipes) are not obstructed.

If they are not obstructed, make sure the burner and/or exchanger are not dirty.

### C) Completing basic calibration.

- Check CO<sub>2</sub> values at the minimum and maximum flow rate.
- Touch up if necessary.



For smooth operation, calibrate the CO<sub>2</sub> values taking care to observe the values in the table.

- Close the cap for the flue inspection point back up.



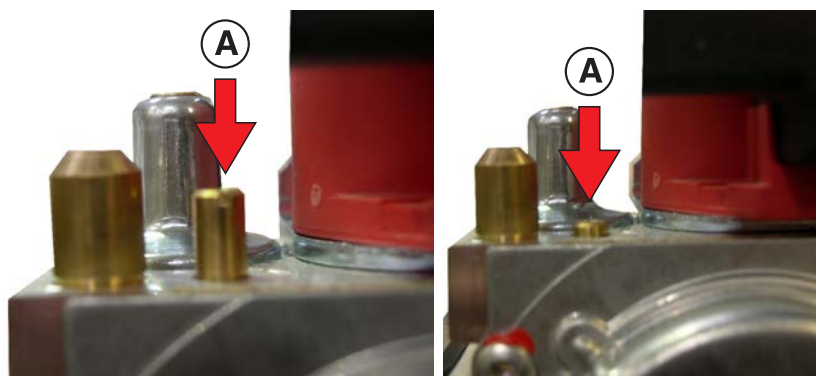
**NOTE: Do not force the adjusting screw limit switch limits.**

### When replacing the gas valve or having difficulty with ignition:

Screw general adjusting screw "A" on clockwise until it stops, then unscrew by 7 revolutions.

Check boiler ignition. If it does not start up unscrew screw "A" by one more revolution, then try to start it up again. If the boiler does not start up again, follow the operations described above until the boiler does start up again.

At this point adjust the burner as previously illustrated.

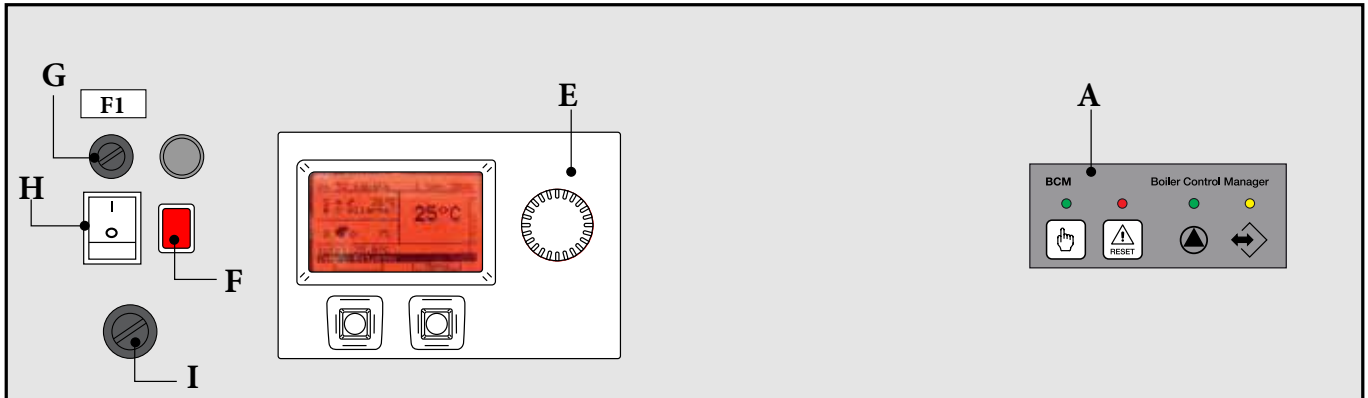


### Nozzles - pressures.

Frequently check the CO<sub>2</sub> levels, especially at low flow rates.

	Type of Gas	Supply pressure (mbar)	Ø Nozzles (mm)	Diaphragm	Fan speed (rpm)		CO <sub>2</sub> levels (%)		Power at ignition IG (%)
					Min.	Max.	Min.	Max.	
ARES Tec 150 - 200 250 - 300 - 350	Nat. gas (G20)	20	7	-	1860	5880	9.1	9.1	80
	Nat. gas (G25)	25	9	-	1860	5880	9.1	9.1	80
	Propane (G31)	37	7	-	1800	5460	10.8	10.8	80

### 3.19 EMERGENCY AND SAFETY OPERATIONS



#### BCM

The BCM board prevents the system from shutting down if management of the HSCP system or main boiler system are out of service (see the BCM manual).

- A YELLOW LED = flashing (communication between BMM and BCM) ok  
GREEN LED = on (Pump On)  
RED LED = on (Error Code detected)
- E HSCP Control panel
- F Only for ARES 350 Tec Light indicating the General Limit Thermostat TLG is on
- G Fuses:  
1 = 6.3 A
- H Main Switch
- I Only for ARES 350 Tec  
When TLG General Limit Thermostat comes on it cuts off power to the boiler and light F comes on. To re-arm it, take off the cap and press



NOTE: the devices are positioned under the casing next to the control unit.



NOTE: the emergency function only switches the burners on in the boiler to 100% in flow. All system loads, including the manifold pump, must be controlled manually.

#### Condensate level sensor position



### 3.20 FIRST IGNITION

#### Preliminary checks.



**First ignition must be carried out by professionally authorised company. Immergas will not be held liable in case of damage caused to people, animals or property due to failure to observe the above.**



**Danger!**  
**Prior to commissioning the appliance fill the trap through the filler hole and make sure the condensate is draining correctly.**  
**If the appliance is used with an empty condensate drain trap the danger of poisoning subsists following a flue gas leak.**

Prior to commissioning the boiler it is advisable to make sure that:

- installation fulfils the standard specifications and requirements in force for both the gas and electrical part;
- the supply of combustion air and the evacuation of flue exhaust are carried out correctly in accordance with standard specifications and requirements in force;
- the fuel supply system is sized for the boiler's flow rate and is equipped with all of the safety and control devices required by regulations in force;
- the power supply for the boiler is 230V - 50Hz;
- the system has been filled with water (pressure gauge 0.8/1 bar with the pump off);
- any cut-off dampers on the system are open;
- the required gas corresponds to the one used for boiler calibration: otherwise have the boiler converted for use with the available gas (see section: "ADAPTATION FOR USE WITH OTHER GASES"); this operation must be carried out by authorised company in accordance with regulations in force;
- the gas supply valve is open;
- there are no gas leaks;
- the external main switch is engaged;
- the system safety valve on the boiler responds to operation and is connected to the sewer drain;
- the condensate drain trap is filled with water;
- there are no water leaks;
- the conditions for aeration and minimum distances to carry out any maintenance operations are fulfilled.

#### Switching the boiler on and off

To turn the boiler on and off read the manual for the HSCP regulator.

#### Information for the system manager

The individual in charge of the system must be instructed in the use and operation of the heating system, in particular:

- Supply the system manager with the "THE SYSTEM MANAGER'S INSTRUCTIONS FOR USE", as well as all other documents attached to the appliance contained in the envelope in the packaging. **The system manager must keep this documentation safe so that it is available for future consultation.**
- Inform the system manager of the importance of aeration vents and the flue exhaust system, highlighting how essential they are and how it is strictly forbidden to change them.
- Inform the system manager of the requirement to check the system's water pressure, as well as operations to restore it.
- Inform the system manager on how to correctly regulate the temperature, control units/thermostats and radiators in order to save energy.
- Remember that it is compulsory to carry out regular maintenance on the system and measure combustion output (as per national law).
- If the appliance is sold or transferred to another owner or if the owner moves, leaving the appliance behind, always ensure the manual accompanies the appliance so that it may be consulted by the new owner and/or installer.

# 4 INSPECTIONS AND MAINTENANCE

## 4.1 INSTRUCTIONS FOR INSPECTION AND MAINTENANCE



Inspections and maintenance carried out to state of the art and at regular intervals, as well as the exclusive use of original spare parts, are of primary importance for smooth operation and to guarantee long boiler life.

Annual maintenance of the appliance is compulsory, in accordance with Legislation in force.



Failure to carry out Inspections and Maintenance can cause material and personal damage.

For this reason we recommend stipulating an inspection or maintenance contract.

Inspection is required to determine the effective state of an appliance and compare it with the optimal state. This is carried out through measuring, checking, observing.

Maintenance is required to eliminate any deviation of the effective state from the optimal state. This is usually carried out through cleaning, setting and possibly replacing single parts that are subject to wear.

These maintenance intervals are set forth by a specialist based on the certified state of the appliance at the time of inspection.

### Instructions for inspection and maintenance.



Only original spare parts must be used to ensure a long life for all of the functions of your appliance, and to avoid changing the conditions of the approved standard product.

Before proceeding with maintenance operations, always carry out the procedures described below:

- Turn off the mains switch.
- Separate the appliance from the electrical network using a separation device, with a contact opening of at least 3 mm (for ex. safety devices or power switches), and make sure it cannot be accidentally re-connected.
- Shut the gas cut-off valve upstream of the boiler.
- If necessary, and based on the work that needs to be carried out, close any cut-off valves on the heating flow and return.

Once the maintenance work has been finished, always carry out the operations listed below:

- If necessary, open the heating flow and return
- Relieve and, if necessary, restore the pressure in the heating system.
- Open the gas cut-off valve.
- Re-connect the appliance to the electrical network and engage the mains switch.
- Make sure the appliance is water-tight, on the gas side and the water side.



**OBLIGATION!**  
Wear protective gloves.



**Scalding hazard!**  
Be careful during the maintenance operations.

Table of resistance values based on the heating probe (SR) and the heating return probe (SRR) temperature.

T°C	0	1	2	3	4	5	6	7	8	9
0	32755	31137	29607	28161	26795	25502	24278	23121	22025	20987
10	20003	19072	18189	17351	16557	15803	15088	14410	13765	13153
20	12571	12019	11493	10994	10519	10067	9636	9227	8837	8466
30	8112	7775	7454	7147	6855	6577	6311	6057	5815	5584
40	5363	5152	4951	4758	4574	4398	4230	4069	3915	3768
50	3627	3491	3362	3238	3119	3006	2897	2792	2692	2596
60	2504	2415	2330	2249	2171	2096	2023	1954	1888	1824
70	1762	1703	1646	1592	1539	1488	1440	1393	1348	1304
80	1263	1222	1183	1146	1110	1075	1042	1010	979	949
90	920	892	865	839	814	790	766	744	722	701

Relation between the temperature (°C) and nom. resistance (Ohm) of the heating probe SR and the heating return probe SRR.

Example: At 25°C, the nominal resistance is 10067 Ohm

At 90°C, the nominal resistance is 920 Ohm



We urge you to have authorised company fulfil requirements regarding periodic maintenance checks.

Since dust is extracted from the inside, the resistance on the flue side, through the boiler, will increase, leading to a decrease in the heat load (and, consequentially, in the power).

Prior to cleaning, check the heat load and the percentage of CO<sub>2</sub>. If the measured load (with a correct CO<sub>2</sub> level) is within 5% of the value indicated in parag. 3.18, the boiler does not need to be cleaned.

The operation must therefore be limited to cleaning the trap.

**ATTENTION!**

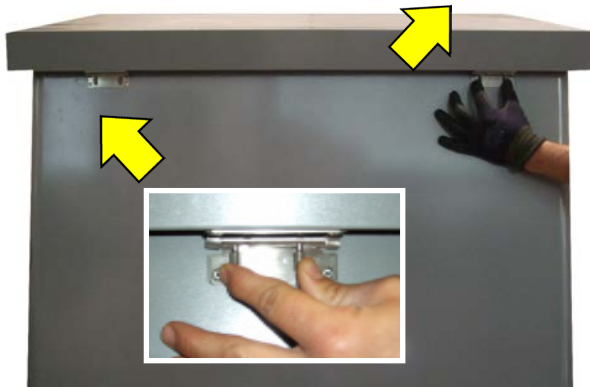


A drop in the heat load can be caused by an obstruction in the exhaust channel or air intake pipe. First of all make sure that this is not the cause.

If there is a drop in the heat load greater than 5%, check how clean the burner condensate-collection pan is. Also clean the trap.

**First phase – Disassembly.**

- Shut off the electrical and gas supplies **making sure the valve is firmly shut.**



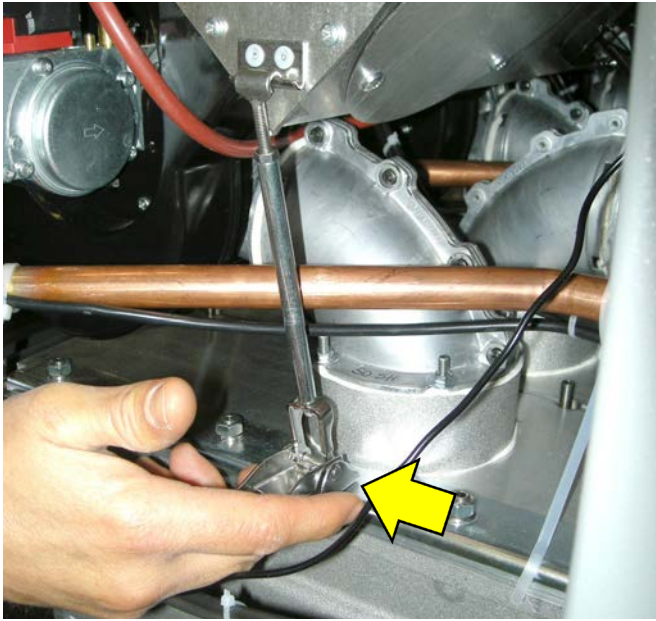
- Take out the casings and act on the two closing hinges to take off the cover.

- Take out the side clamping screws (right/left side).

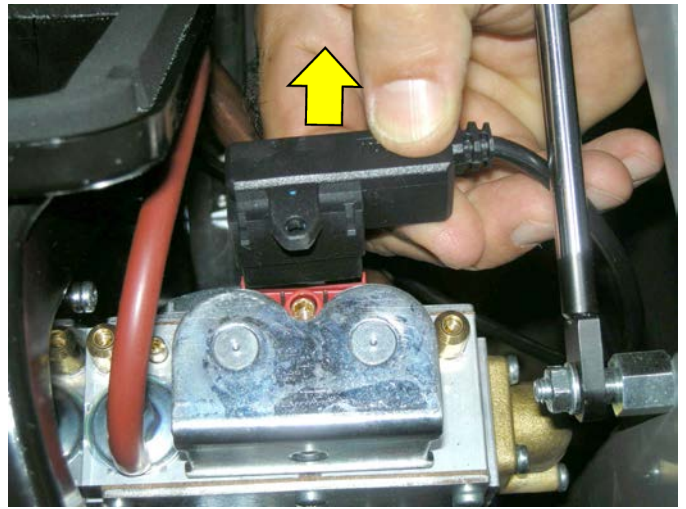


- Take out the rear casing clamping screw on the right and left side.

- Take out the closing plate clamping screws (flue exhaust output side) and take off the casing.



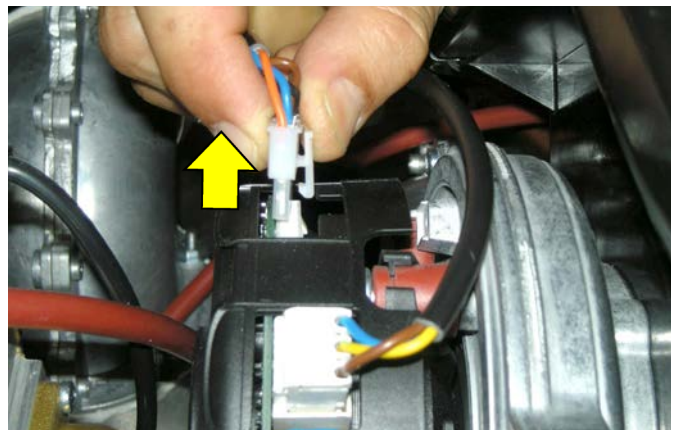
- Unhook the fan chamber clamping spring (right/left side).



- Take out the gas valve connector.

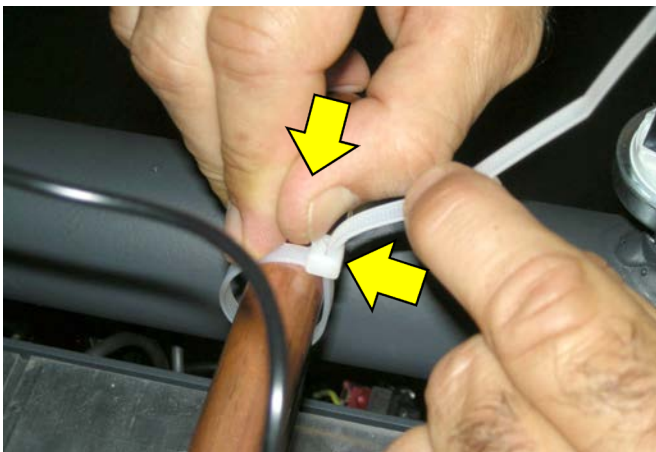


- Take out the red silicone pipes and then the fan chamber.



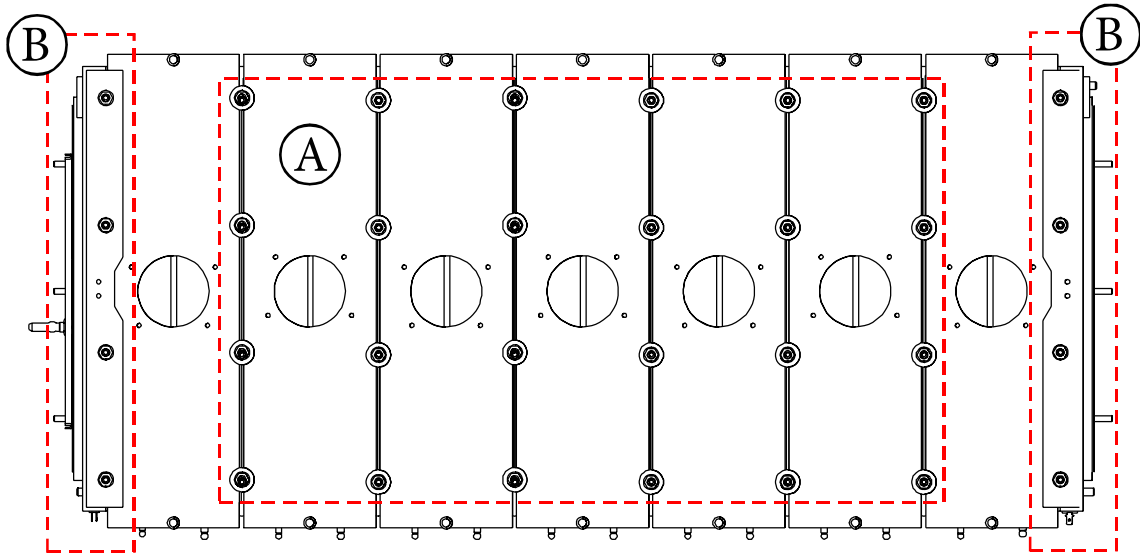
- Take out the fan connector.

**Cabling**

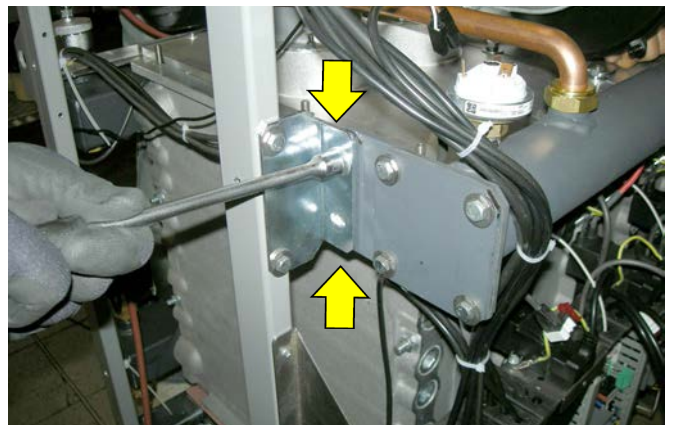


- Unhook the cable clamps at the top of the boiler (DO NOT CUT).

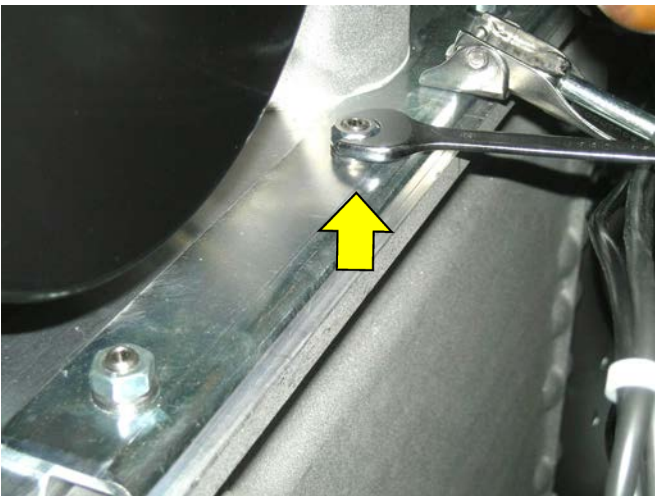
Element screws.



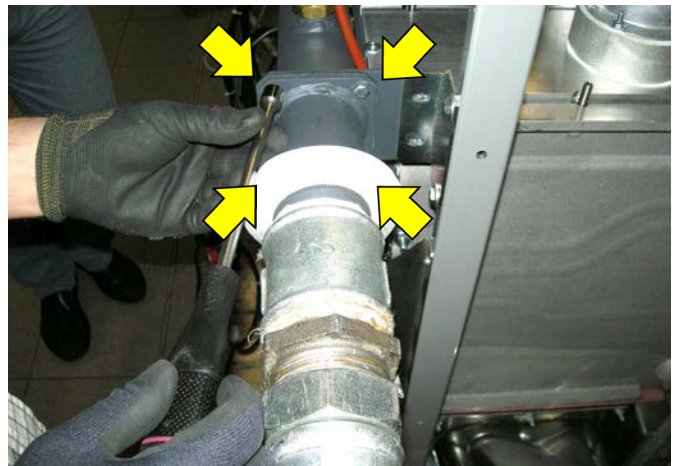
- Take out screws "A" from each element (with 13 mm socket key).



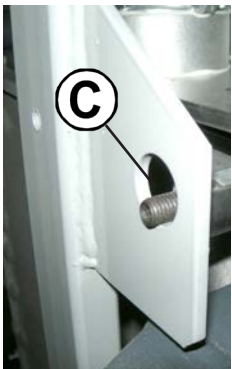
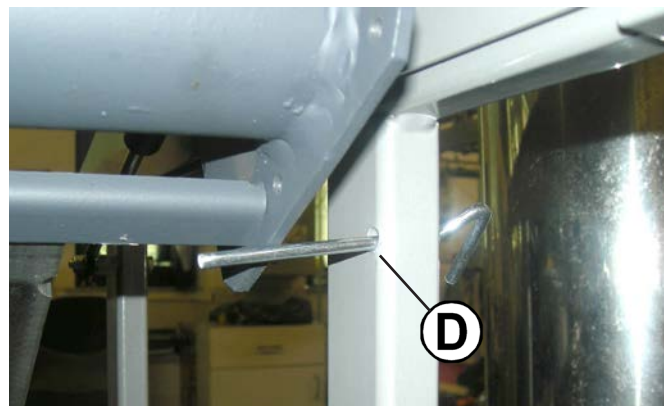
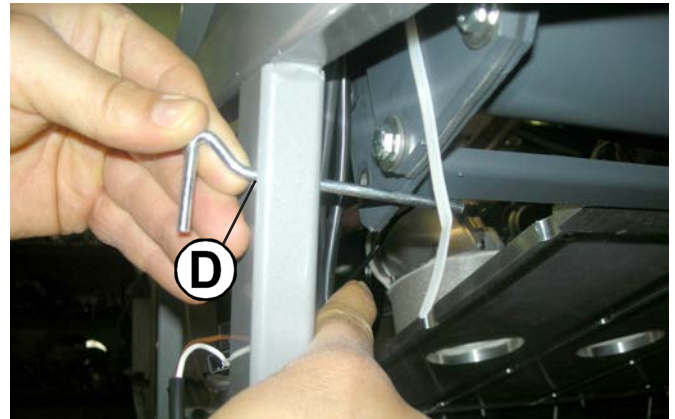
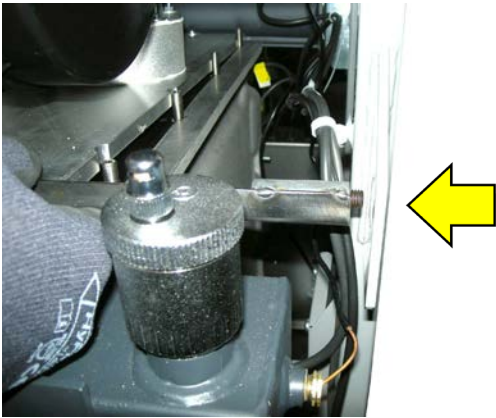
- Take out the gas pipe clamping screws (right and left side).



- Take out screws "B" (with 13 mm socket key / with 13 mm hex key) and take out the clamping plates.



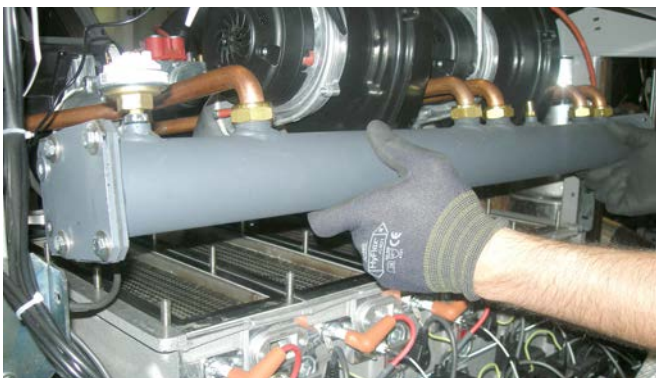
- Take out the four screws, followed by the gas flange, using a 10 mm socket key.



- Place the pins in holes "D" to support the burner block.



- Lift the rear burner block slightly and take out 2 pins with a 4 mm hex key, until you reach holes "C".



- Lift the burner block (front part).



### Second phase – Cleaning.

- Take out the gaskets and burners.
- Dry clean the burners using compressed air and operating from the "flame side".
- Visually check the state of the welding on the angulars and burner mesh.



**The burner gaskets must be replaced every time cleaning operations are carried out.**

- Wash the combustion chamber with water being careful not to get the electrical cables wet.
- During this operation is necessary to make sure that the condensate exhaust pipe is always unobstructed so that the wash water does not leak out from the inspection opening.
- Blow the combustion chamber with compressed air to remove any dirt that is still attached to the studs.
- When the elements have been washed make sure that the condensate drain trap is unobstructed: clean if necessary.
- Inspect the exhaust evacuation pipe and the flue.



### Third phase - Reassembly.

- Once the body and/or burners have been cleaned, put the burners back in their places.
- Put the new graphite gaskets in place.

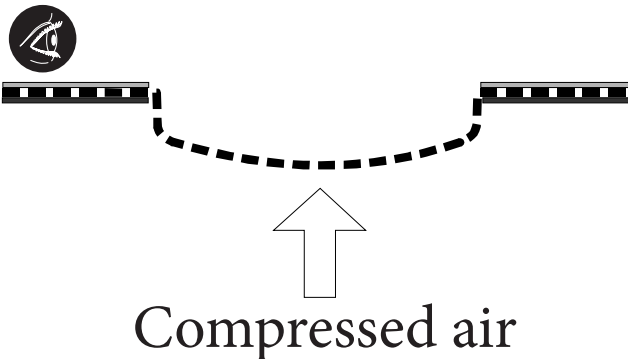


**Proceed in the reverse order for reassembly, being careful to tighten the screws that clamp the mixer unit/fans to the body, at a torque of 13 Nm.**



**ATTENTION  
IT IS NECESSARY TO CHANGE THE SEALING GASKETS ON EACH BURNER AT EVERY MAINTENANCE OPERATION.**

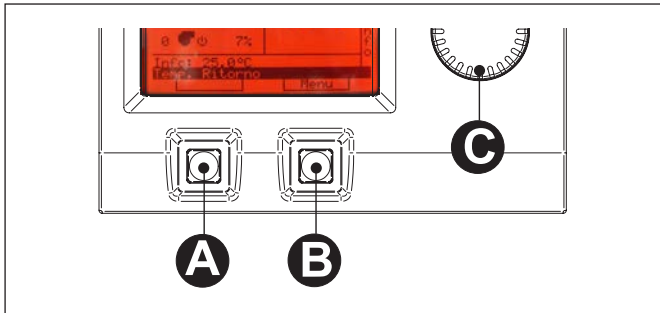
- Prior to ignition, make sure the condensate drain trap is full of water.
- Before opening the gas supply valve make sure that the previously loosened gas fitting is firmly tightened. In order to do so open the valve and check the seal using soapy water.
- As a burner is being ignited, immediately check the seal between each single gas valve and relative premixing chamber.
- Perform a combustion analysis and check the parameters.
- Make sure that all of the previously opened gas pressure points are closed.



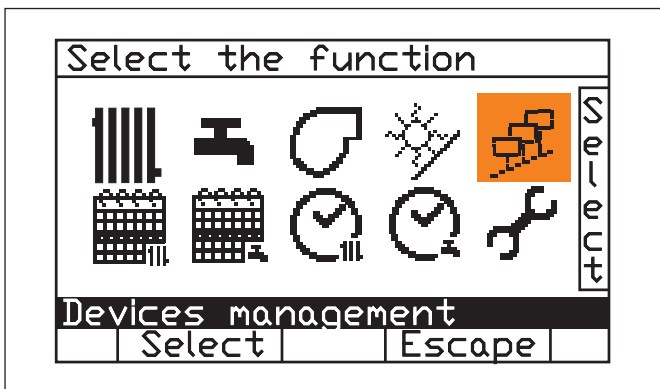
4.2 PROGRAMMING THE OPERATION PARAMETERS



**ATTENTION!**  
Function reserved exclusively to Authorised Service Centres.

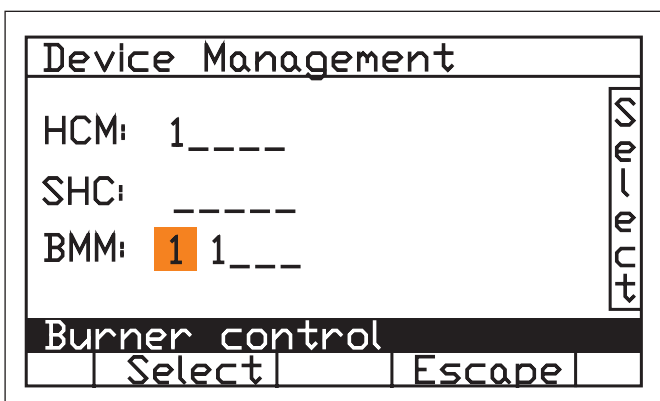


1 - SELECTION



Use knob "C" to select the symbol . Press "A". Wait for scanning.

2 - Device management SELECTION

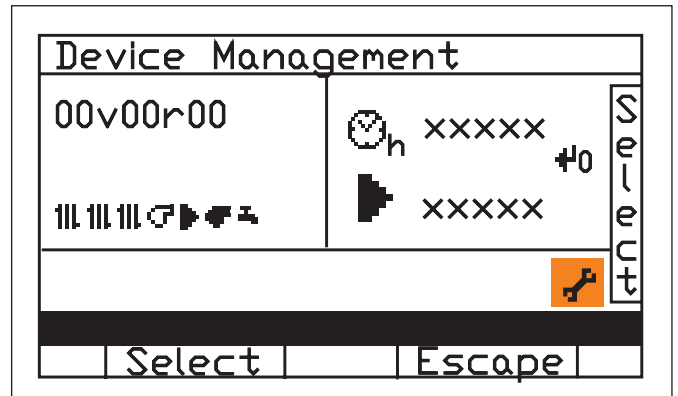


The display shows the status and the active sections of the system: (- = inactive / 1 active)

- HCM (BCM cascade controller)
- SHC (multifunction module) optional
- BMM (burner management board)

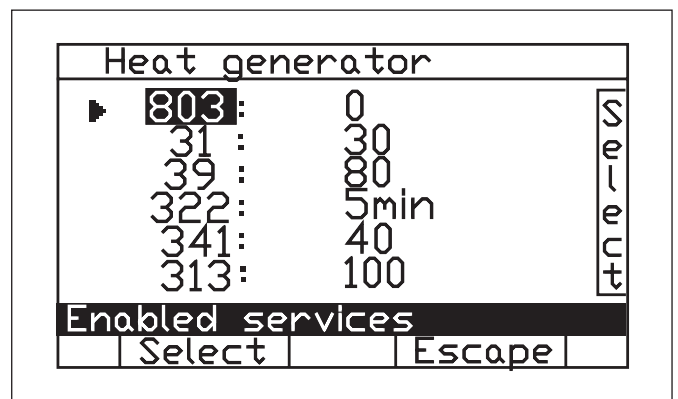
Select the module using knob "C" and confirm by pressing "A".

3 - Device management SELECTION



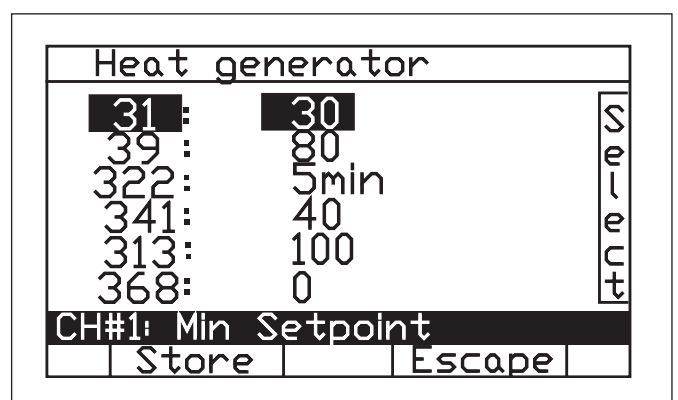
Select with knob "C" and press key "A" in order to access the technical programming area of each device (you must enter password 0000).

4 - SELECTION



Select the parameter using knob "C".  
Press "A" (selec).

5 - MODIFICATION



Rotate knob "C" to edit the value.  
Press "A" (save).

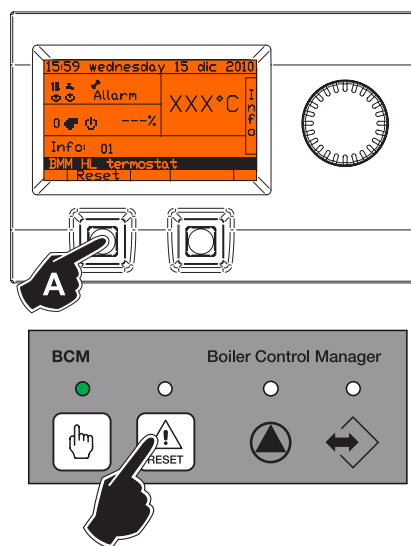
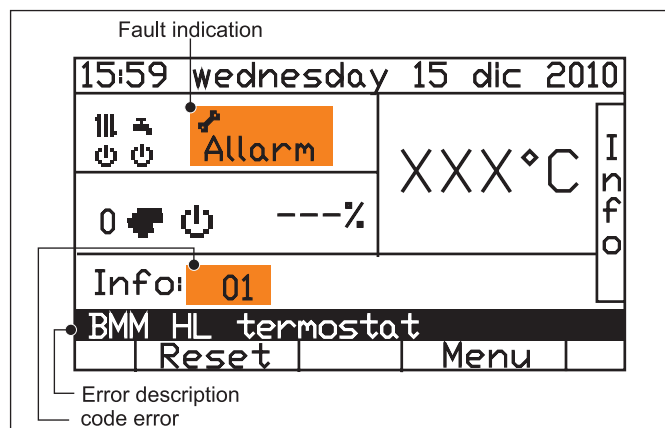
## 4.3 BMM. PARAMETERS

BMM parameters - ARES TEC 150 - 200 - 250 - 300 - 350						
Code	Symb.	Description	Unit	Min	Max	Factory settings
31	HL	CH#1: Minimum Setpoint	°C	20	45	30
39	HH	CH#1: Maximum Setpoint	°C	50	90	95
322	Po	Pump Post-circulation	min.	0	10	5
309	St	Application Code				0
619	IG	Ignition Modulation	%	0	100	80
314	Sb	Standby Modulation	%	0	100	26
319	FH	Maximum Modulation	%	0	100	98
346	FL	Minimum Modulation	%	0	100	22
488	Fb	Fan		1	20	50
527	PU	Fan: Pul./Rev		2	3	2
2590	bC	Burner Power	kW	1	1000	50
483	rP	Gen: Temp. Max Differential	°C	0	50	30
622	FS	Minimum Flow Sensor		0	1	1
34	HY	Burner Hysteresis	°C	5	20	5
336	Hs	Temperature Gradient	°C/min	1	30	10
353	Hp	CH temperatures: Reg. Proportional	%	0	50	25
354	HI	CH temperatures: Reg. Integrative	%	0	50	12
478	Hd	CH temperatures: Reg. Derivative	%	0	50	0
486	FP	Fan speed: Reg. Proportional	%	0	50	4
487	FI	Fan speed: Reg. Integrative	%	0	50	8
337	Fr	Modulation gradient	rpm	0	30000	5280
526	FM	Fan: Absolute max speed	giri/sec	50	120	100
777	AFC	Burner air flow control		0	1	0
793	COC	Chimney Obstruction Sens.: Enabled / Disabled		0	1	1
768	LG	Min. Gas Pressure Sens.		0	1	0

**4.4 BCM. PARAMETERS**

BCM parameters - ARES TEC 150 - 200 - 250 - 300 - 350						
Code	Symb.	Description	Unit	Min	Max	Factory settings
803	Srv	Services Enabled		16	27	19
483	rP	Gen: Temp. Max Differential	°K	0,0	50,0	25
34	HY	Burner Hysteresis	°K	5,0	20,0	5,0
31	HL	CH#1: Minimum Setpoint	°C	20,0	40,0	35,0
39	HH	CH#1: Maximum Setpoint	°C	45,0	85,0	85,0
799	AC	Input 0/10V		0	3	1
376	DII	Programmable Input #1		0	2	3
322	Po	Pump Post-circulation	min.	1	10	5
341	PL	Pump Minimum Control	V	0	10	3
313	Pr	Pump Maximum Control	V	0	10	10
792	CHP	CH: Max Modulation	%	0	100	100
611	POT	Gen: Err. Max. Parallel	°K	0	30	5
612	POL	Gen: Mod. Max. Parallel	%	0	100	0
650	dL	DHW: Minimum Setpoint	°C	25,0	45,0	35,0
385	dH	DHW: Maximum Setpoint		50,0	65,0	65,0
360	dt	Storage tank adjustment		0	15	0
656	drT	DHW: Temp. Request Differential	°K	-20	20	4
657	drH	DHW: Request Temp. Hysteresis	°K	1	20	8
310	DpT	DHW Pump: Postcirc.	sec.	5	600	60
660	dbT	DHW: Temp. Boiler Maximum	°C	50,0	85,0	75,0
48	ChSet	CH#1: Setpoint	°C	20,0	85,0	85,0
64	ChPO1	CH#1: Parallel Supply		0	1	0
346	FL	Minimum Modulation	%	0	100,0	25,0
600	mB	Burners: Min. Inserted		1	8	1
616	BSt	Gen: Insertion Time	sec.	30	900	120
613	BRt	Gen: Removal Time	sec.	30	900	120
336	HS	Temperature Gradient	°C/min	1	30	5
353	HP	CH PID: Proportional	°K	0	50	25
354	HI	CH PID: Integrative	°K	0	50	12
478	Hd	CH PID: Derivative	°K	0	50	0
816	MI	ModBus Address		1	127	1
817	MT	Timeout Modbus	sec.	0	240	30
896	TU	°Fahrenheit		0	1	0
309	St	Application Code		0	1	0
368	VA1	Programmable Relay #1		0	1	0
369	VA2	Programmable Relay #2		0	1	1
771	PS	Water Pressure Sensor		0	1	0
768	LG	Min. Gas Pressure Sens.		0	1	0
793	COC	Chimney Obstruction Sens.		0	2	0
622	FS	Minimum Flow Sensor		0	1	0

4.5 ERROR CODE



When the boiler detects a fault, the alarm symbol is displayed on the screen together with the relative error code and description.

It is possible to reset the boiler by pressing “A” from HSCP or RESET from BCM

( Num ) = see key Par. 2.2		
CODE	DESCRIPTION obtained from BMM	REMEDIES
01	<b>SAFETY THERMOSTAT</b> Safety thermostat intervention	Press the release button on the panel and/or check if the thermostat and its connections are not disconnected. Make sure the INTC switches are closed (position 1)
04	<b>BLOCK</b> No gas or burner ignition failure	Check gas supply or correct operation of the detection/ignition electrode(4-5).
05	<b>NO FLAME DURING OPERATION.</b>	Check detection electrode
06	<b>HIGH TEMPERATURE</b> Boiler temperature too high	Check pump operation and, if necessary, clean the heat exchanger (9)
10	<b>INTERNAL FAULT</b>	
11	Flame detection before ignition (parasite flame)	
12	<b>CENTRAL HEATING SENSOR</b> Central heating sensor fault	Check efficiency of the sensor (see Res/Temp table) (Par. 4) or its connections.
14	<b>RETURN PROBE (if applicable)</b> Sensor (SRR)	Check the wiring; if necessary, replace the sensor (15)
15	<b>INSUFFICIENT WATER CIRCULATION</b> Insufficient primary circuit water circulation (Δt > 40° C)	Check pump operation and its speed - remove any obstructions in the central heating system
16	<b>HEAT EXCHANGER FREEZING (9)</b> Heat exchanger freezing detection. If the central heating sensor detects temperature below 2° C, burner ignition is prevented until the sensor detects temperature above 5°C.	Disconnect electric power supply, close the gas cock, and carefully defrost the heat exchanger.
20	<b>PARASITE FLAME</b> Flame detected after the burner is switched off	Check the wiring and any leaks from the gas valve (2), replace the Gas valve if necessary
24	<b>SPEED OUT OF CONTROL</b> Fan speed alteration; the speed is not reached.	Check operation of the fan (18) and the connections

## INSPECTIONS AND MAINTENANCE

26	<b>SPEED OUT OF CONTROL</b> Fan speed alteration; the speed is higher than what is requested.	Check operation of the fan (18) and the connections
28	<b>CLOGGED DRAINS</b> Stop	Check Chimneys / Check Drain Trap.
29	<b>WATER IN THE COMBUSTION CHAMBER</b> Stop	Check the combustion chamber / check the drain trap.
30	<b>DEFAULT PARAMETERS</b> Alteration of default settings or any electromagnetic interferences.	Press the release key, if the fault persists, replace the board
32	Line voltage below 80% of the nominal value. Wait for the line's voltage to reach > 85% of the nominal value.	Correction: if the line voltage < 190Vac: the line's voltage is way below the minimum limit, otherwise line errors of the monitor: replace BMM
40	<b>FL INTERVENTION insufficient water circulation</b> Stop	Water circulation control
<b>CODE</b>	<b>DESCRIPTION obtained from HCM (BCM)</b>	<b>REMEDIES</b>
17	<b>HEAT EXCHANGER FREEZING ( 9 ) stop effect</b>	Try to Reset for the system to automatically activate the antifreeze function and thus may only be a warning.
18	<b>MAXIMUM PROTECTION ΔT FLOW-RETURN</b> stop effect	Circulation control, check installation (Only with return probe installed).
19	<b>FLOW OVERHEATING.</b> It is activated when the flow temperature is > 95. It is automatically restored when the temperature is < 80. Effect: Stop burner, Pump on	Circulation control.
37	<b>DEFECTIVE PARAMETERS MEMORY</b> Flame Block	Contact support service.
38	<b>DEFAULT PARAMETERS CORRUPTED by electromagnetic interferences</b> stop	Contact support service.
56	<b>REMOTE CONTROL WAS NOT DETECTED</b> Flame Block	Check electrical connections e-BUS1
57	<b>BMM BOARD NOT DETECTED</b> stop	Check electrical connections BMM e-BUS1
58	<b>FLOW SENSOR</b> Stop	Connect a new sensor if the code disappears, replace the sensor or check the electrical connections
93	<b>ISPESL SAFETY INTERVENTION</b> Stop	Check the safety devices, manual reset after releasing single safety devices
<p>The error codes are displayed in the info row of the remote panel and also remain if the fault was temporary. Therefore, you must always reset to eliminate the "Alarm" from the display.</p>		



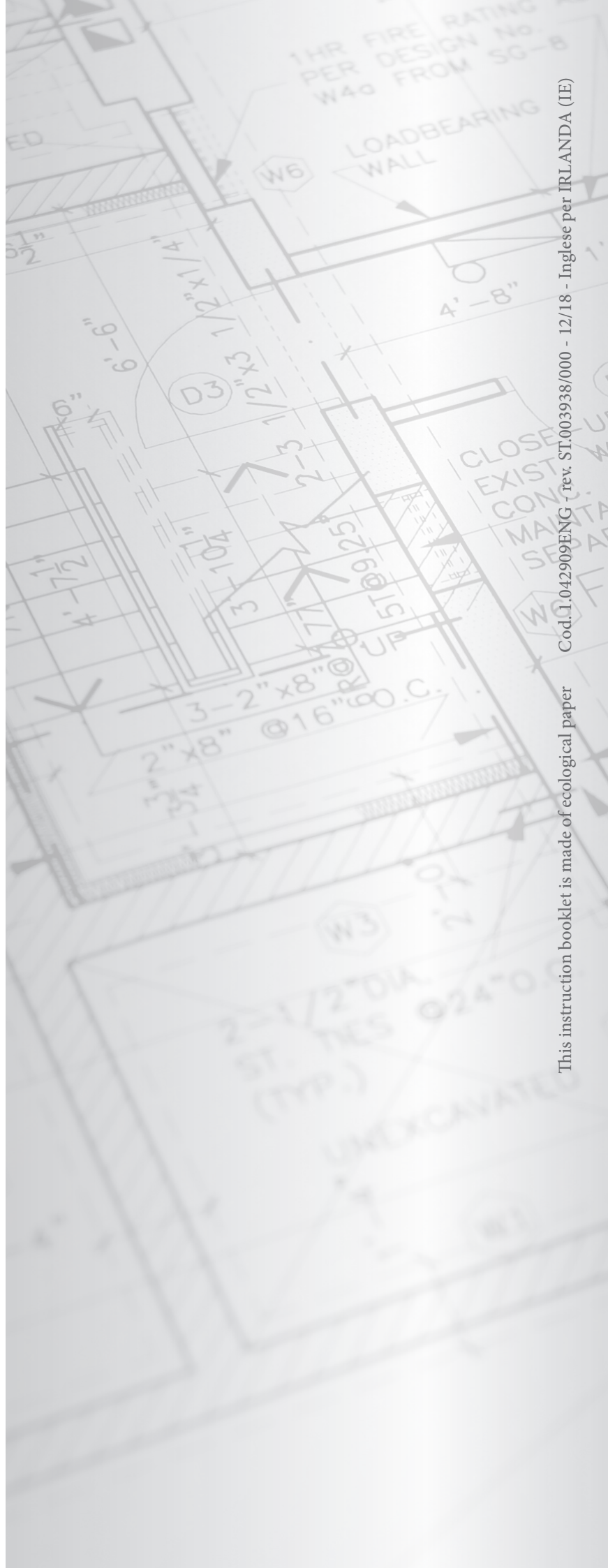


[immergas.com](http://immergas.com)

Immergas S.p.A.  
42041 Brescello (RE) - Italy  
Tel. 0522.689011  
Fax 0522.680617

Certified company ISO 9001

STD.005726/000



This instruction booklet is made of ecological paper

Cod. I.042909ENG - rev. ST.003938/000 - 12/18 - Inglese per IRLANDA (IE)