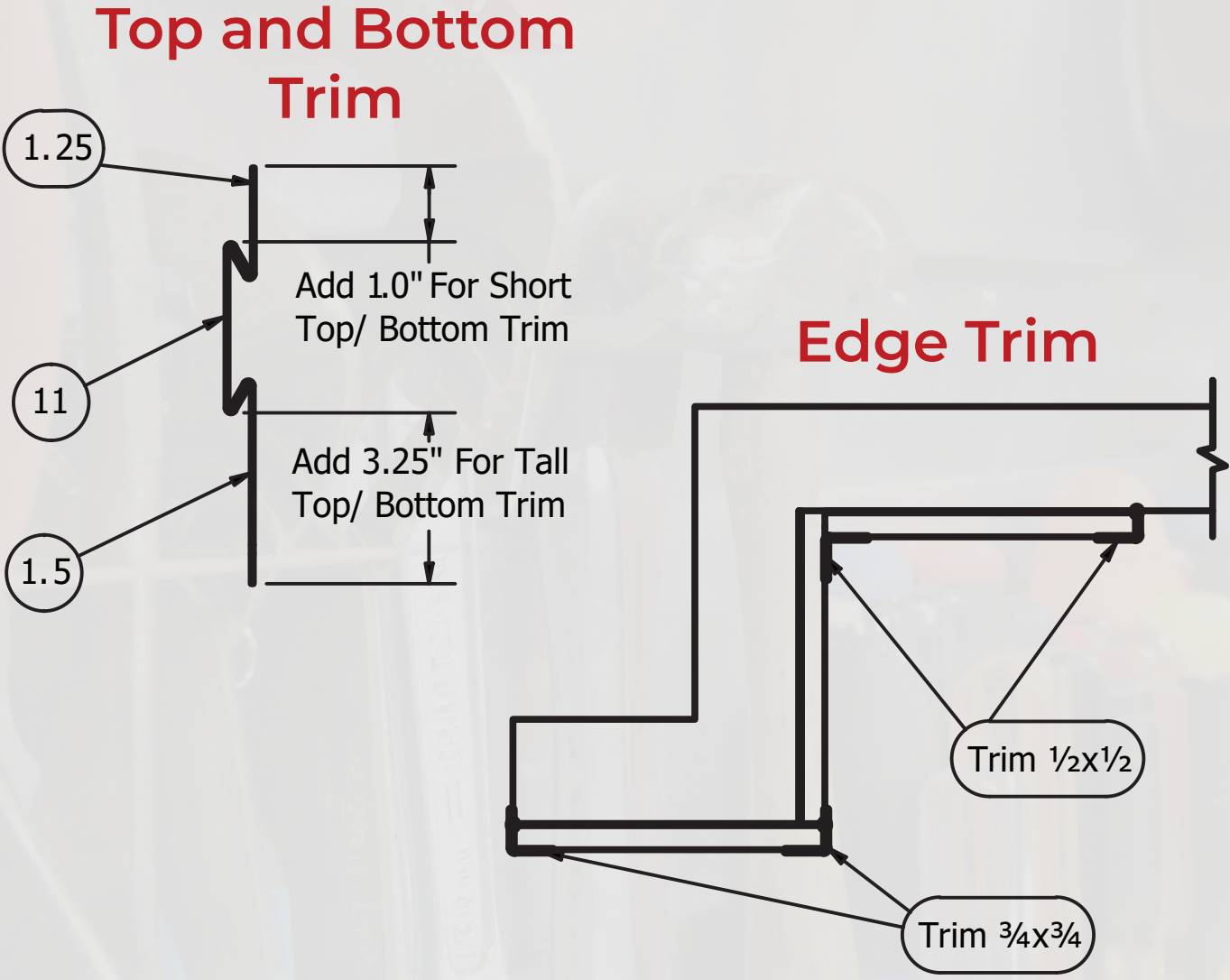
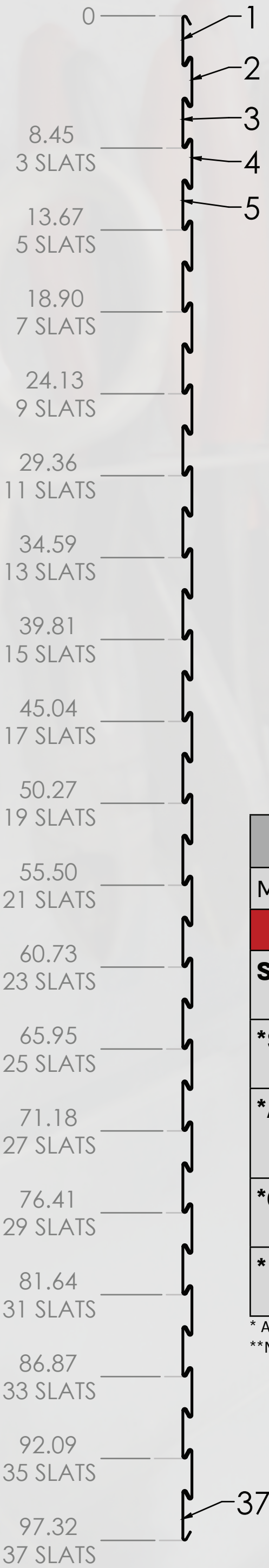




# Wall Mounted Z-OX®

Z-OX does more so that you can as well, allowing you to create not just effective storage, but also functional work and displays spaces that adapts to meet your ever changing needs. Z-OX's patented design is the simplest, strongest, and most customizable wall-storage solution.

### Vertical Spacing



Unparalleled Strength	
Fixture	Max load (lb)*
Hooks	
3 inch Hook	20
6 inch Hook	250
18 inch Shelf Rack	500
Shelves	
18 inches X 48 inches Light Duty	400
18 inches X 48 inches Heavy Duty	600
24 inches X 48 inches Heavy Duty	500

\*System max load is dependent on strength of surface the Z-OX is mounted to.

Ordering Information					
Material		Length		Piece Type	
<b>SW</b>	Galvanized Steel For your high strength storage needs.	<b>48</b>	4-Foot length sections	<b>11</b>	Standard wall slats
<b>*SSW</b>	Stainless Steel For particularly demanding conditions	<b>96</b>	8-Foot length sections	<b>1.25</b>	Short Top and Bottom trim
<b>*AW</b>	Aluminum For Applications that require a light weight and strong solution	<b>*144</b>	12-foot length sections for large installations	<b>1.5</b>	Tall top and Bottom trim
<b>*CW</b>	COR-TEN For architectural uses			<b>Trim 1/2x1/2</b>	0.5-inch side trim for internal corners and flush mount edges**
<b>*</b>	Custom Colors also available for special order			<b>Trim 3/4x3/4</b>	0.75 inch side trim for corners and end mount edges**

\* Available for custom orders  
\*\*Max order length 96 Inches

### More About Z-OX®

- Z-OX supports a wide selection of heavy-duty locking shelves, hooks, and other fixtures to support your needs.
- Custom installations and fixtures are available, please contact us for more information

**Contact Us:**  
 138 N. 100 E.  
 Logan, UT 84321  
 P: (435) 881-0124  
 E: tools@z-ox.us