

# Roof Access Ladder Installation Manual

Exclusive for the 1979 to 2018 Mercedes-Benz Geländewagen W460, W461 and W463, with a single rear cargo door.

## VTS-7112 for the W463 from 2008 until 2018:

Note: You have received a ladder box labelled G-Wagon Roof Access Ladder. Inside you will find the ladder (VTS-7182) and the hardware box (VTS-7185). Please open the hardware box VTS-7185, and check all the needed hardware items:



- 1 Locking Bar for the top ladder mount
- 2 Foam pad
- 3 M6 x 1.0 x 20 SS Allen Head Screw (Qty. 6)
- 4 M6 SS Washer (Qty. 6)
- 5 Mounting Plate
- 6 VTS-7113 Outer Left Bumper Bracket (Replacement)
- 7 VTS-7113 Lower Mounting Bracket
- 8 M10 x 1.25 x 25 Hex Bolt (QTY. 2)
- 9 M10 Washer (Qty. 2)
- 10 M10 x 1.5 x 30 Hex Head Bolts (Qty. 2), replacement for existing ones

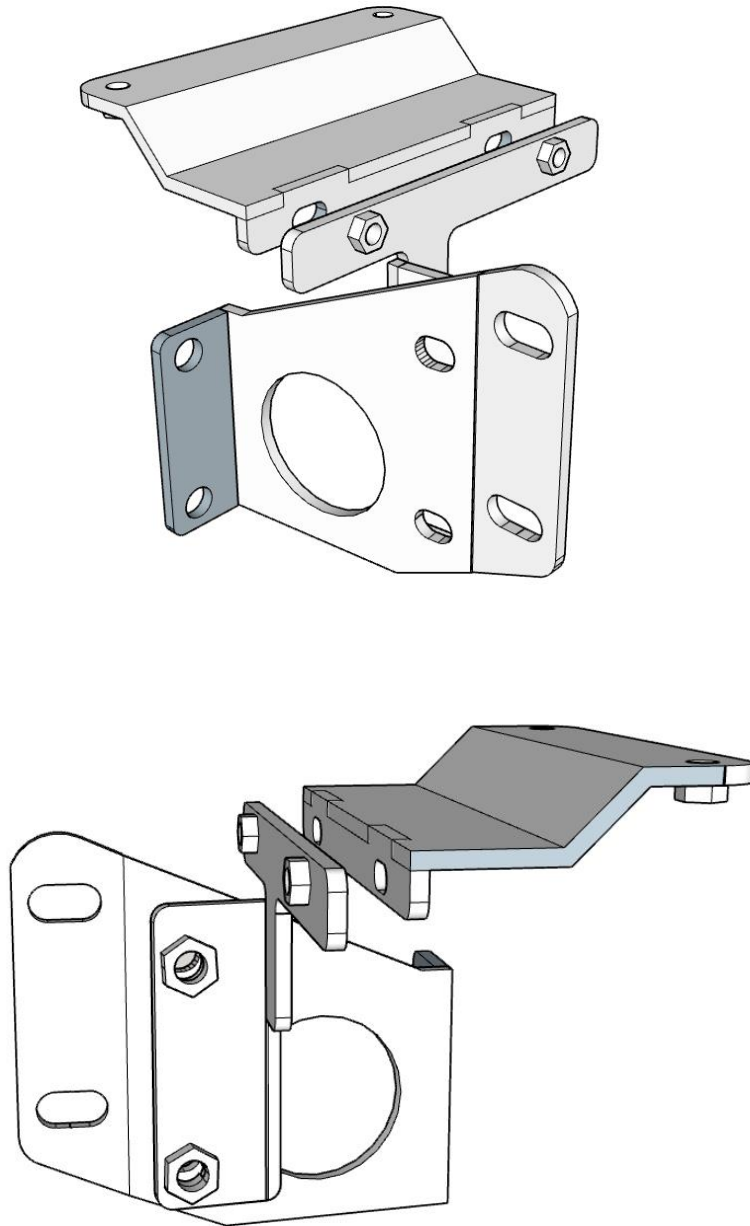
## Installation of the Frame Mounting Bracket VTS-7113 for W463 from 2008 to 2018

- Due to the large OEM fuel tank protection plate found on the 2008 to 2018 G-Class (G550 & G63), the mounting space for our standard lower mounting bracket has been mostly taken up by the new OEM protection plate.
- Unplug the cable from the far-right back-up sensor.
- Remove the existing right hand outer bumper bracket completely from the vehicle.
- Insert the new supplied bumper bracket and fasten it lightly to the bumper and frame, using the existing hardware or the included M10 x 1.25 x 30
- Re-route the harness again through large hole in the bracket and plug it back into the sensor.
- Install the t-shaped mounting bracket using the M10 x 25mm bolts and washer to the new bumper bracket. Do not tighten it completely.



- Only finger tighten those new bolts, do not use a wrench, as the brackets still needs to move, for any adjustments later - if needed.
- Now remove the right rear tail light lens.
- Insert the Ladder Mounting Plate as shown between the body/bumper gap, and fasten it to the previously installed Frame Bracket Bar using the M-6 x 20mm Allen cap screws & washers. Again, just finger tighten until the ladder is in place and top of ladder has been tightened.
- Insert the Ladder Mounting Plate as shown between the body/bumper gap, and fasten it to the previously installed Frame Bracket Bar using the M-6 x 20mm Allen cap screws & washers. Again, just finger tighten until the ladder is in place and top of ladder has been tightened.
- If the existing gap between the body and bumper is too tight, readjustment of the rear bumper will be necessary.
- Make sure that the installed new Mounting Plate is level (parallel to the bumper)

**Frame Bracket Set VTS-7113 mounting location with Plate, W463 2008 to 2018  
For G-Wagen Roof Access Ladder VTS-7112**



## Roof Access Ladder Installation

- Fold the included Foam Pad into a “S” shape and insert into the ladder’s upper mount as shown.



- Carefully slip the top of the ladder onto the rain gutter making sure the protective pad is still in place to cushion the ladder against the gutter and vehicle paint finish. This must be done at the same time as the bottom of the ladder positions on the Ladder Mounting Plate.
- Position the left side of the ladder approximately one inch from the door gap as shown



•

- Sight the ladder's vertical position and adjust it carefully parallel to the rear door frame / gap.



- Adjust the clearance between the tail light lens, Ladder Bracket and the rear door as needed.
- Carefully check for correct rear door open & close operations.
- Remove protective adhesive film from Locking Bar and with the narrower side of the bar to the right (rain gutter slopes down to the right) line up the mounting holes with the upper ladder mount and push it up against the underside of the rain gutter as shown.





- **IMPORTANT:** Using a small wooden block and a clamp, gently clamp the Locking Bar against the gutter applying enough pressure to align the holes to securely mount the top of the ladder.



- Insert the two M-6 Allen cap screws with washers and tighten them down securely. Do not over tighten, as the Locking Bar is threaded aluminum.
- Install the two M-6 Allen cap screws with washers through the Tail Light Frame into the mounting plate.
- Re-install the tail light lens.
- After verifying the correct clearance to the rear door and tail light lens, you can now tighten the two M-10 hex bolts on Frame Bracket and the two M-6 Allen cap screws on Ladder Bracket securely.

