

Roof Access Ladder Installation Manual

Exclusive for the 1979 to 2018 Mercedes-Benz Geländewagen W460, W461 and W463, with a single rear cargo door.

VTS-7110 for the W460 and W461 from 1979 on:

Note: You have received a ladder box labelled G-Wagon Roof Access Ladder. Inside you will find the ladder (VTS-7182) and the hardware box (VTS-7183). Please open the hardware box VTS-7183, and use the W460/461 frame bracket VTS-7107 from that hardware box. Please check for the provided needed hardware items:



- 1 Locking Bar for the top ladder mount
- 2 Foam pad
- 3 M6 x 1.0 x 20 SS Allen Head Screw (Qty. 6)
- 4 M6 SS Washer (Qty. 6)
- 5 Mounting Plate
- 6 VTS-7107 Frame Bracket
- 7 M10 x 1.5 x 30 Hex Head Bolts (Qty. 2), replacement for the existing ones

Installation of the Frame Mounting Bracket VTS-7107 for W460/W461

- Remove the two existing M-10 hex bolts on the right outside bumper bracket.

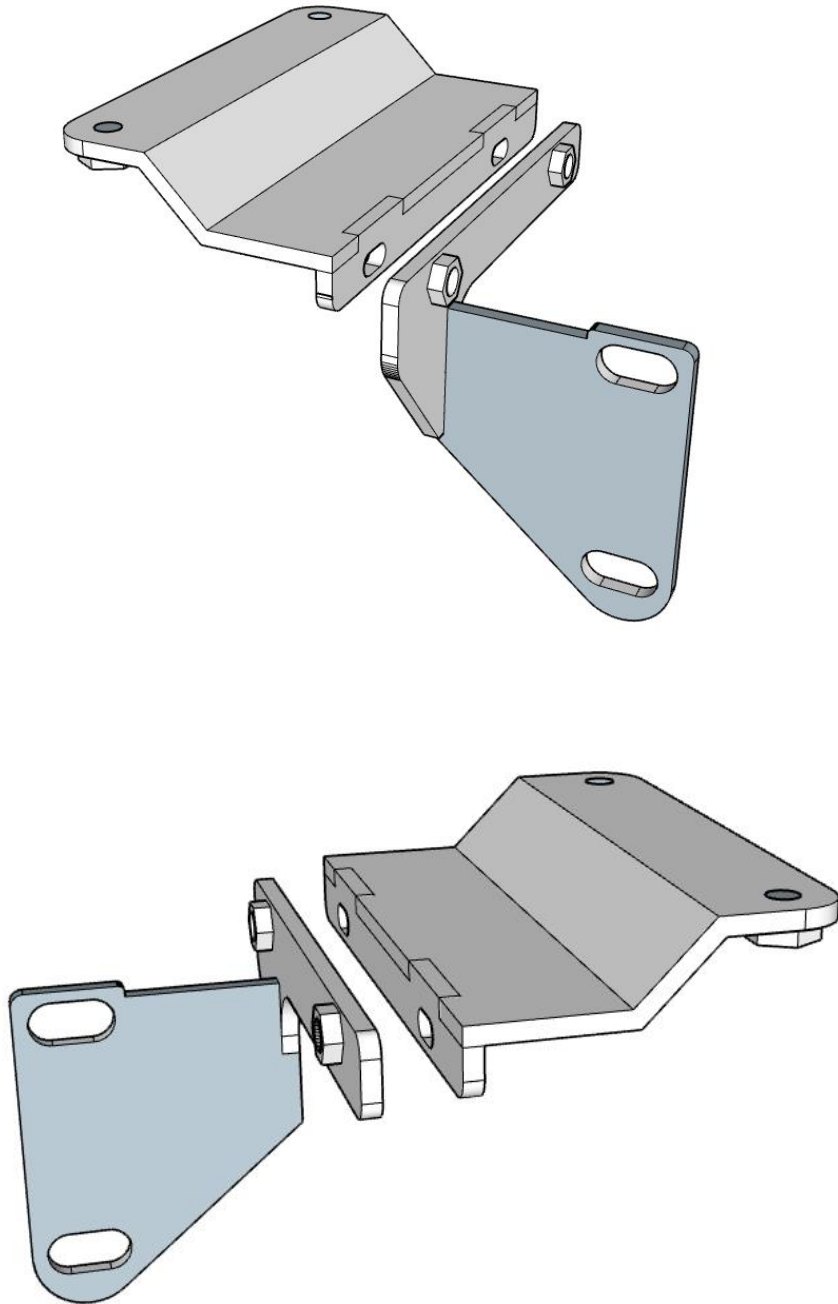


- Install the new VTS-7107 Frame Bracket using the included longer M-10 x 30 mm hex bolts. With the two threaded M-6 holes facing the rear, position the bracket into the gap between body and the top of the rear bumper.
- The frame bracket with its two threaded M6-holes in the rear bar, must be levelled horizontally above the bumper, use washers/spacers as needed to achieve that.
- Only finger tighten those new bolts, do not use a wrench, as the bracket still needs to move, for any adjustments later - if needed.
- Now remove the right rear tail light lens.
- Insert the Ladder Mounting Plate as shown between the body/bumper gap, and fasten it to the previously installed Frame Bracket using the M-6 x 20mm Allen cap screws & washers. Again, just finger tighten until the ladder is in place and top of ladder has been tightened.
- If the existing gap between the body and bumper is too tight, readjustment of the rear bumper will be necessary
- Make sure that the installed new Mounting Plate is level (parallel to the bumper)

Please note: Some older images still depict the older Mounting Plate version (round stand-offs), which are now replaced by a re-designed formed plate.



**Frame Bracket VTS-7107 mounting position with new Plate, W460 & W461
For G-Wagen Roof Access Ladder VTS-7110**



Roof Access Ladder Installation

- Fold the included Foam Pad into a “S” shape and insert into the ladder’s upper mount as shown.



- Carefully slip the top of the ladder onto the rain gutter making sure the protective pad is still in place to cushion the ladder against the gutter and vehicle paint finish. This must be done at the same time as the bottom of the ladder positions on the Ladder Mounting Plate.
- Position the left side of the ladder approximately one inch from the door gap as shown



- Sight the ladder's vertical position and adjust it carefully parallel to the rear door frame / gap.



- Adjust the clearance between the tail light lens, Ladder Bracket and the rear door as needed.
- Carefully check for correct rear door open & close operations.
- Remove protective adhesive film from Locking Bar and with the narrower side of the bar to the right (rain gutter slopes down to the right) line up the mounting holes with the upper ladder mount and push it up against the underside of the rain gutter as shown.



- **IMPORTANT:** Using a small wooden block and a clamp, gently clamp the Locking Bar against the gutter applying enough pressure to align the holes to securely mount the top of the ladder.



- Insert the two M-6 Allen cap screws with washers and tighten them down securely. Do not over tighten, as the Locking Bar is threaded aluminum.
- Install the two M-6 Allen cap screws with washers through the Tail Light Frame into the mounting plate.
- Re-install the tail light lens.
- After verifying the correct clearance to the rear door and tail light lens, you can now tighten the two M-10 hex bolts on Frame Bracket and the two M-6 Allen cap screws on Ladder Bracket securely.

