

Spare Tire Mount Camera for Jeep Wrangler User Manual



Introduction

Thank you for purchasing your EchoMaster automotive camera.

The following part numbers are supported:

- ▶ **PCAM-JP2-P**
- ▶ **PCAM-JP2-N**

EchoMaster cameras are designed to improve safety during driving by providing high quality images of surrounding areas and obstacles in the vicinity of the vehicle. They will also improve vehicle maneuvering capability by displaying blind spots not normally visible to the driver.

Please ensure you read and understand all aspects of this manual before fitting or using your EchoMaster Camera. Choose a suitable mounting place dependent on the application. Ensure that there are no wiring harnesses or hoses/pipes located behind this panel before drilling.

Key Features

- ▶ 1/4" CMOS Sensors
- ▶ Operates at 0.5 LUX
- ▶ IP67 Rated
- ▶ 170 Degree Viewing Angle
- ▶ Selectable Image (mirrored/non-mirrored)

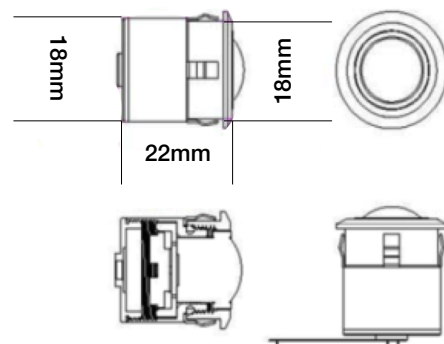
Specifications

| | CAM-JP2-P CAM-JP2-N | |
|---------------------|--------------------------|-----------|
| Sensor | 1/4" CMOS | |
| LEDs | 0 | |
| Illumination | 0.5 LUX | |
| Viewing Angle | 170 degrees | |
| Mirror Image | YES | |
| Normal Image | YES | |
| Water/Debris-Proof | IP67 | |
| Audio | NO | |
| Power Supply | 9-16V DC | |
| Current | <50mA | |
| Working Temperature | -30°C - +70°C | |
| Dimensions (mm) | D (22) x W (18) x H (18) | |
| System | PAL | NTSC |
| TV Lines | N/A | 420 |
| Resolution (HxV) | N/A | 648 x 488 |

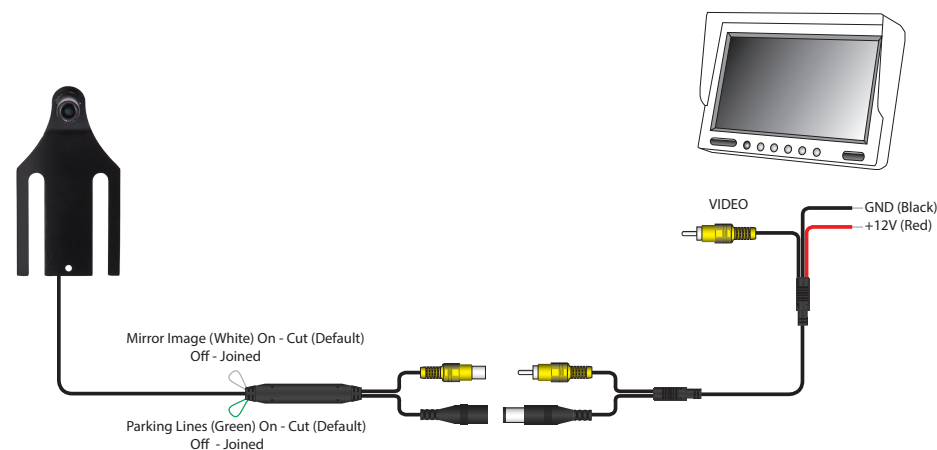
Box Contents

- ▶ Camera with Bracket
- ▶ Manual
- ▶ Hole Saw

Dimensions



Wiring Diagram



EchoMaster.com
 EchoMaster is a Power Brand of AAMP Global
 OFFLINE YOUR DRIVE
 AAMP
 email - technical.eu@aampglobal.com (Europe)
 email - support@aampglobal.com (US)
 Clearwater, Florida 38760
 15500 Lightwave Drive, Suite 202

