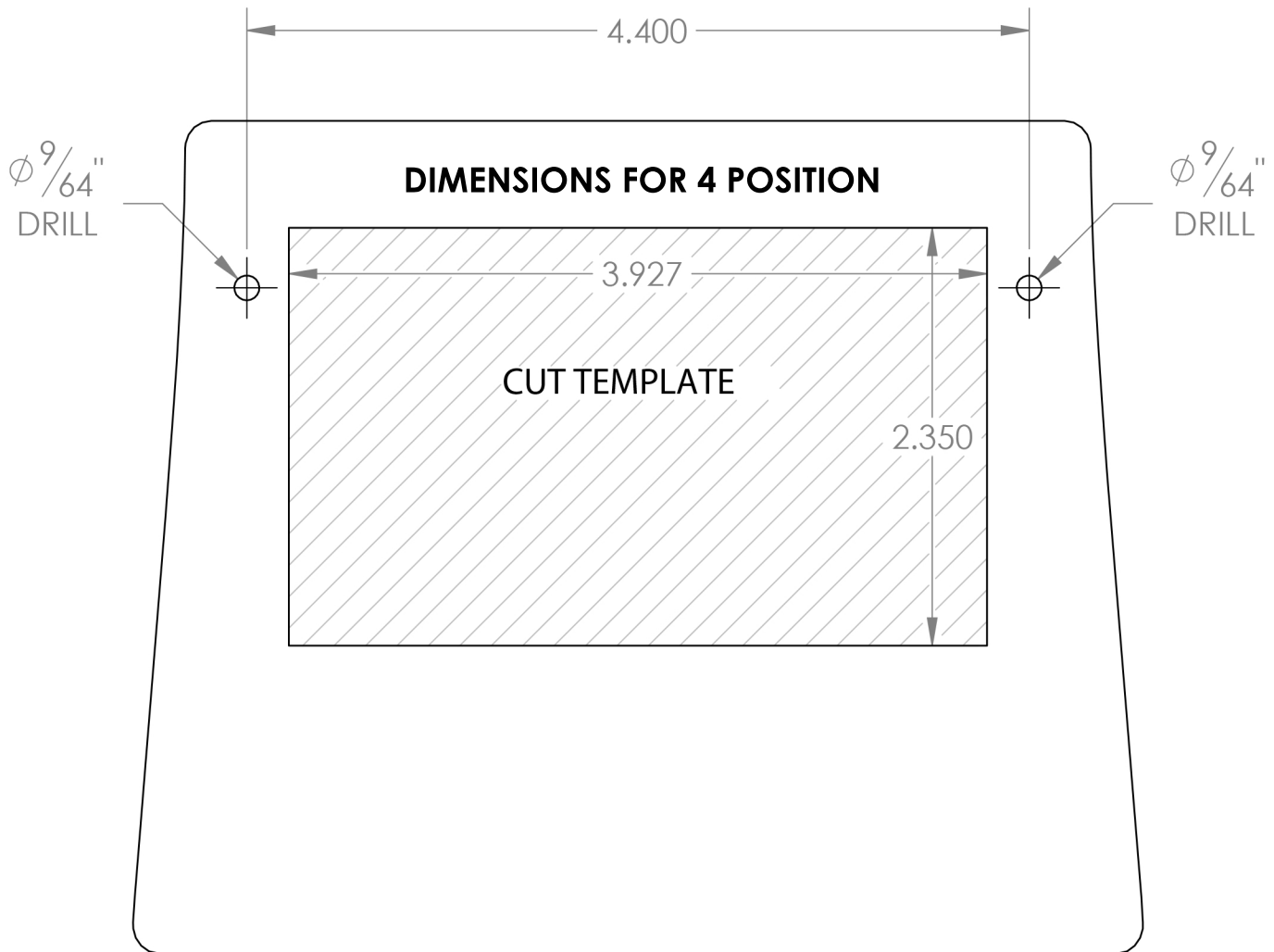




Installation Template
Jeep JK 4 Switch Housing
TOP



BOTTOM

Before making any cuts, confirm dimensions with actual housing!

Please check printer scaling and set to 100%

(Do NOT print at Fit to Page)

Reference cut dimensions are above

Any questions, please contact Scott at 720-307-7263

scott@stechswitch.com