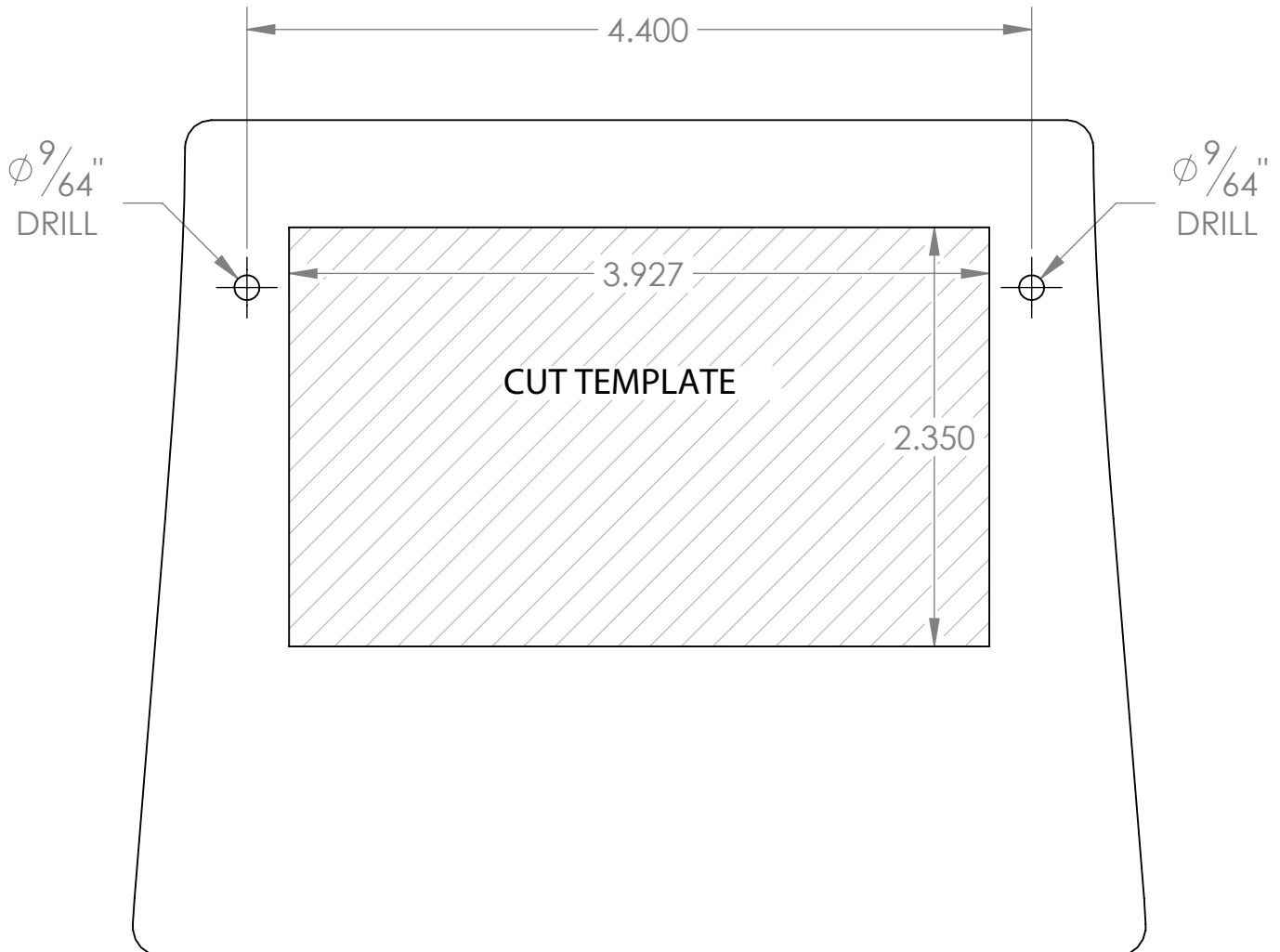




Installation Template

TOP



BOTTOM

Please check printer scaling and set to 100%
(Do NOT print at Fit to Page)
Reference cut dimensions are above

Any questions, please contact Scott at 303.842.7353
scott@teamechgroup.com

