

Cones

Mounts

These mounts have a particular rubber section made for shear and compression stresses which allows good axial deflections. Cone mounts are low cost isolators that have high load carrying capacity within a compact size that provides a stable solution for a wide number of applications. This design of mount is ideally suited for isolating cabs of trucks, bus engines, radiators etc... The mounts are assembled with two safety washers to minimize overloads. The CNA version is characterized by two different radial stiffnesses.

Applications

- Gensets
- Engines
- Special equipments
- Compressors
- Pumps
- HVAC

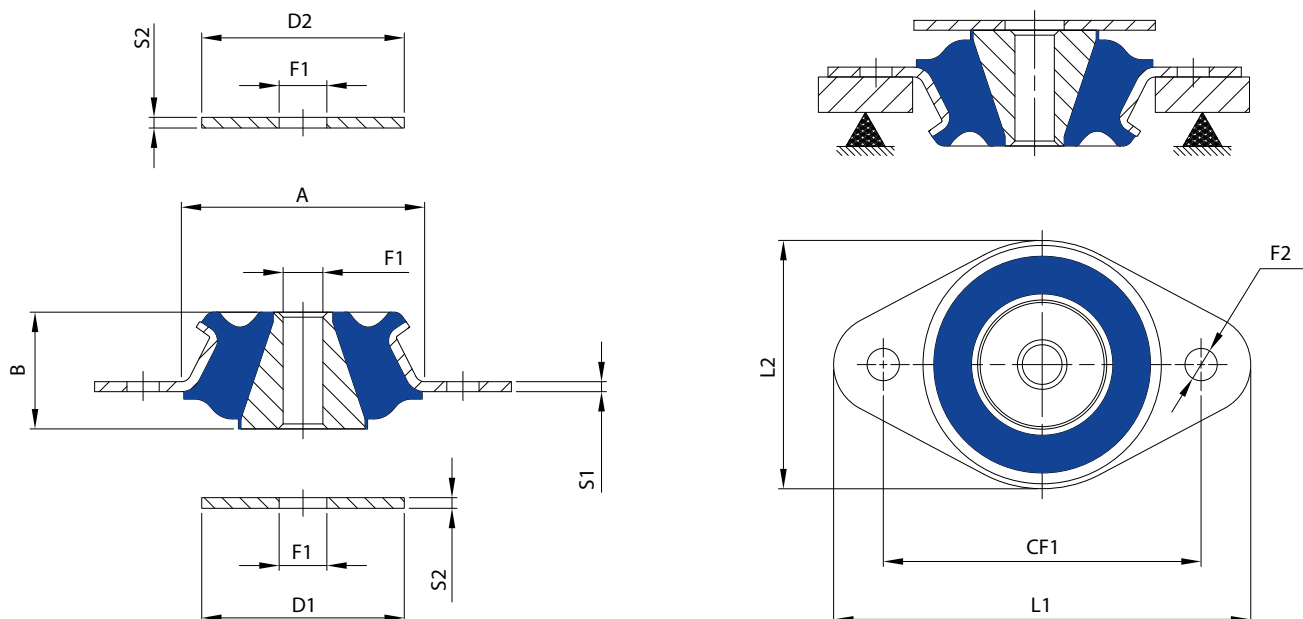
Standard Production

- Cone and flange: DD13 or DC04 steel (UNI EN 10111 o UNI EN 10130)
- Washers: DD12 Steel UNI 10111
- Natural rubber NR
- Zinc plated in accordance with CE standards CHROME VI free, white
- Stiffness tolerance +/- 15%

Options & Additional Parts

- Alternative elastomeric compounds available

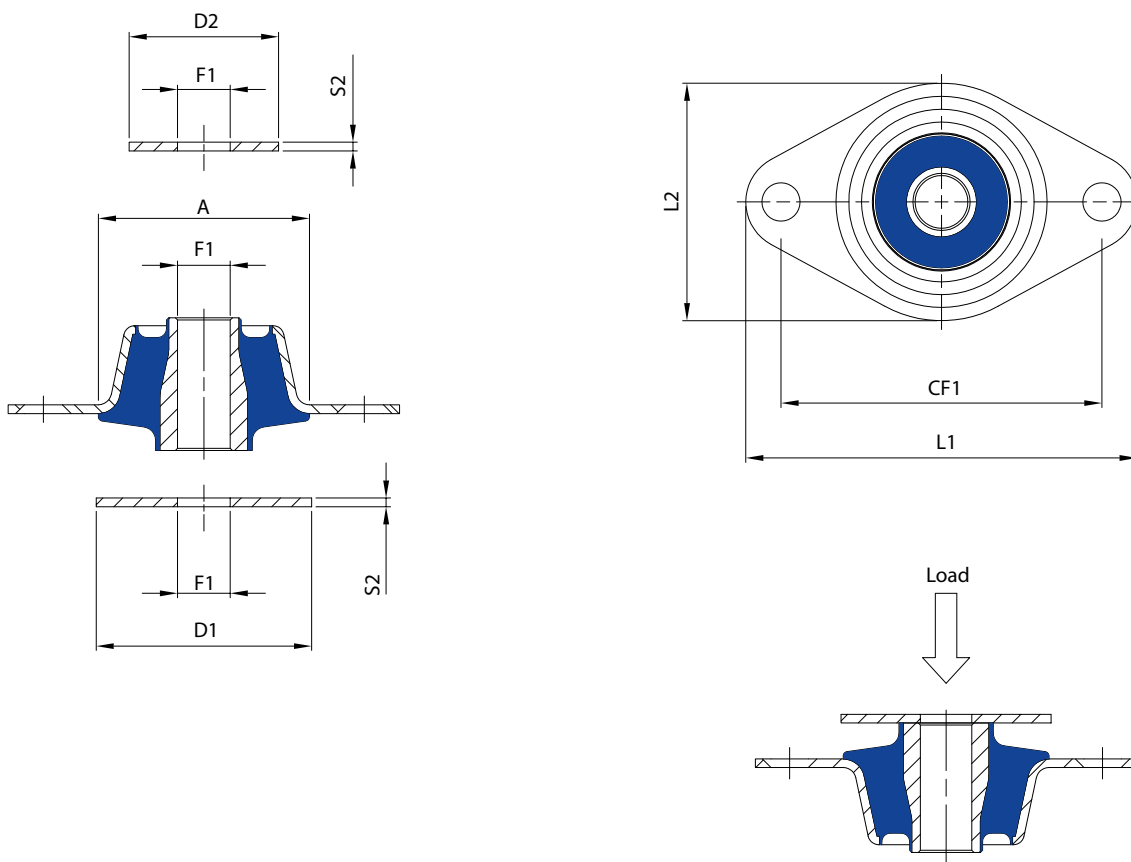
Type CN



Item	Hardness (IRHD)	A	B	CF1	CF2	L1	L2	F1	S1	F2	D1	D2	F1	S2	Average Stiffness (daN/mm)	Max. Load (daN)	Max Deflec. (mm)
4623CN08W	45														12,5	37,5	
4623CN08M	60	46	23,5	64	-	84	50	8	2	6,5	40	40	8	2	22	66	3
4623CN08H	70														36	108	

The item code means the cone mount with washers; it's possible to order only the cone mount.

Type CN



Item	Hardness (IRHD)	A	B	CF1	CF2	L1	L2	F1	S1	F2	D1	D2	F1	S2	Average Stiffness (daN/mm)	Max. Load (daN)	Max Deflec. (mm)
4830CN12/1W	45														9	36	
4830CN12/1M	60	48	30,2	73	-	89	54	12	2	8,7	49	34	12	2	15	60	3
4830CN12/1H	70														21	84	

The item code means the cone mount with washers; it's possible to order only the cone mount.