

NEW

McGuide®

Unlimited stroke linear motion guide for ultra precision and high rigidity by needle and polygonal shaft structure.

www.mysamick.com

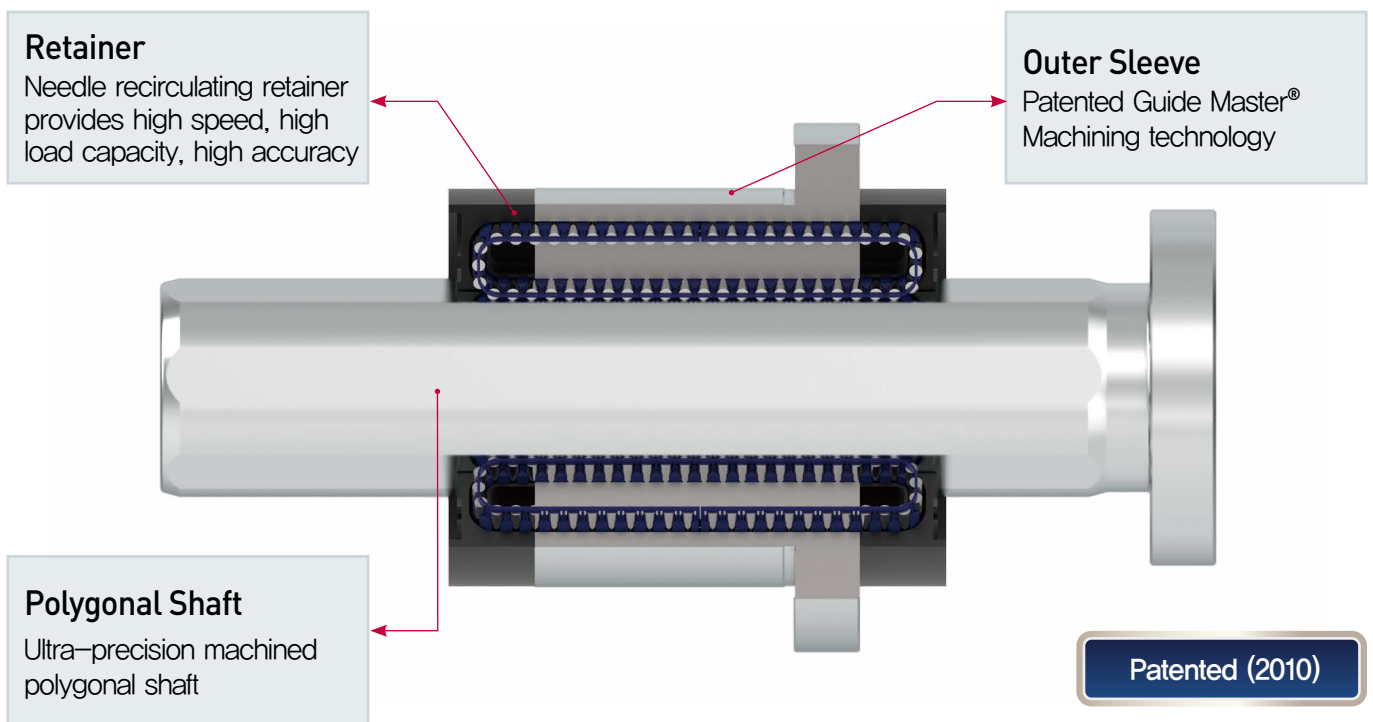


*High rigidity / high precision /
long service life / minimum rotational resistance*

McGuide[®] : High-precision rigid polygon type guide for your equipment

High-precision guide with recirculating needle retainer structure provides unlimited stroke, high accuracy, high rigidity, low noise and long service life

Structure



Features

1) High rigidity

Wide contact area provides higher rigidity than point contact

2) Zero torque loss

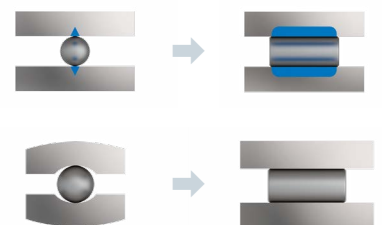
No differential slip of the rolling element maintains high rigidity with low preload, minimizing impact resistance

3) Longer service life

Higher basic load rating means longer service life

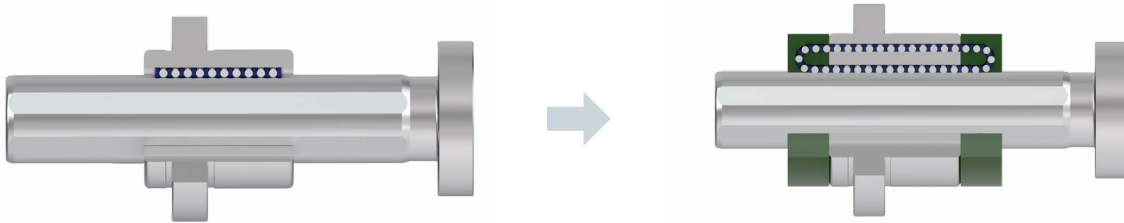
4) High precision

Needle and polygonal shaft structure maintains accuracy, low preload, repeatability and straightness (zero pitching, yawing, and rolling)

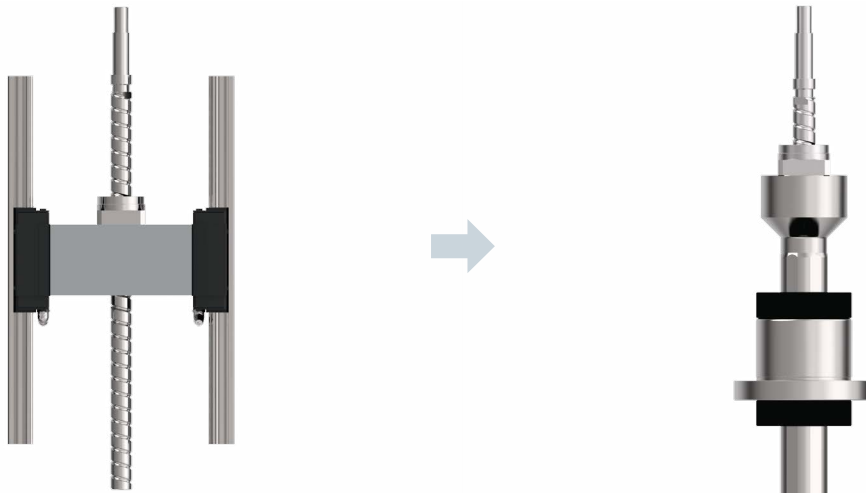


Improvements over existing products

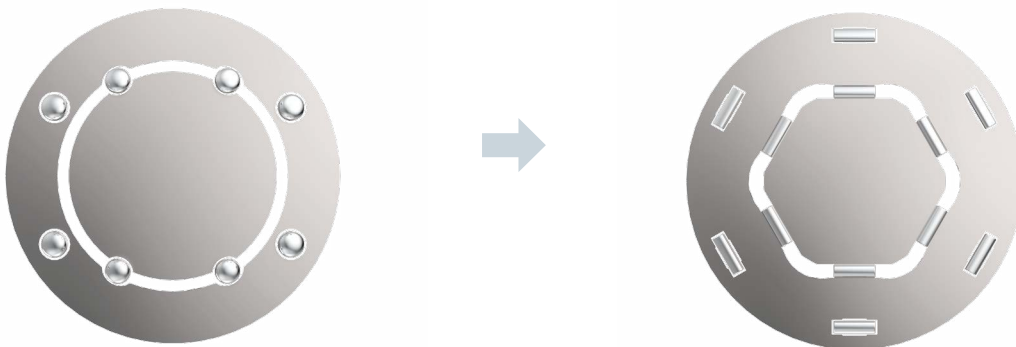
- Unlimited stroke (Needle recirculating retainer structure)



- Higher-performance alignment for compact machine designs



- Low preload, high rigidity, high torque transmission

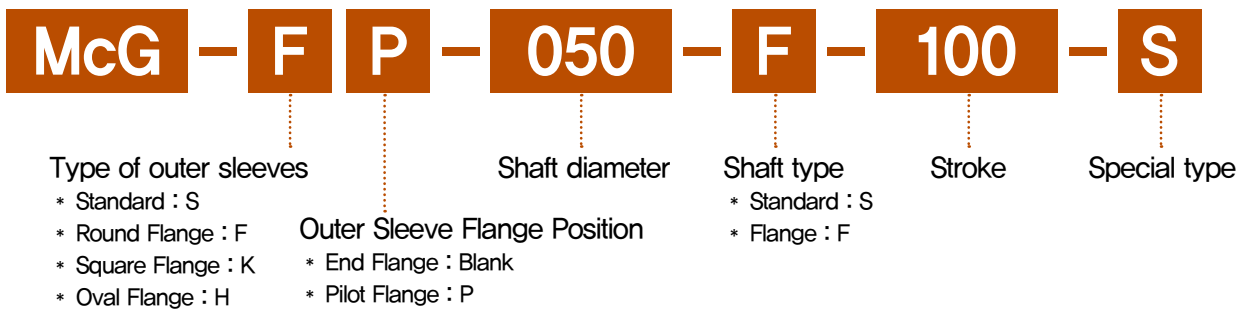


- Reduced production costs

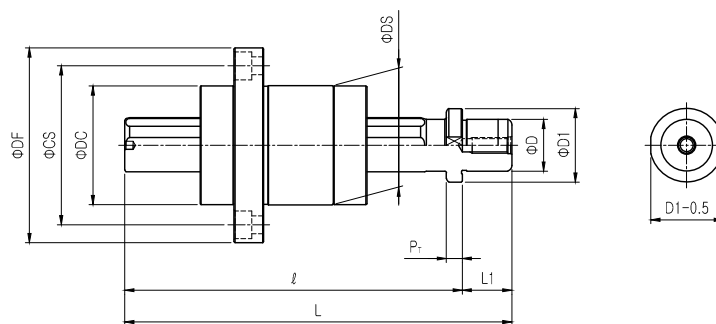
- Quality control, defect reduction
- Energy efficiency
- Less maintenance
- Reduced downtime, higher productivity

Type and main dimensions

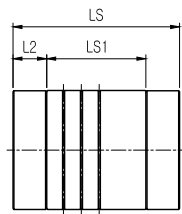
■ Type of product (Example)



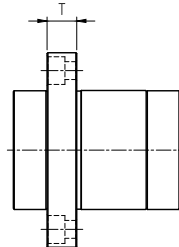
■ Dimension : McG – 00 – 00 – S – 000



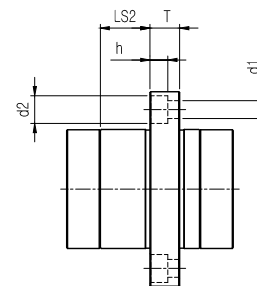
• Classification of flange position



Standard Type

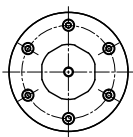


End Flange Type

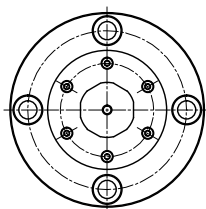


Pilot Flange Type

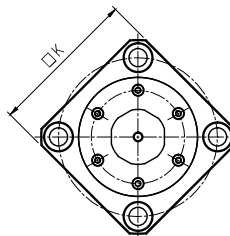
• Classification of flange shape



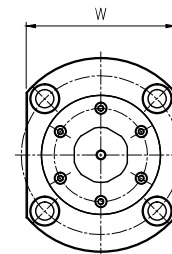
Standard Type



F Type



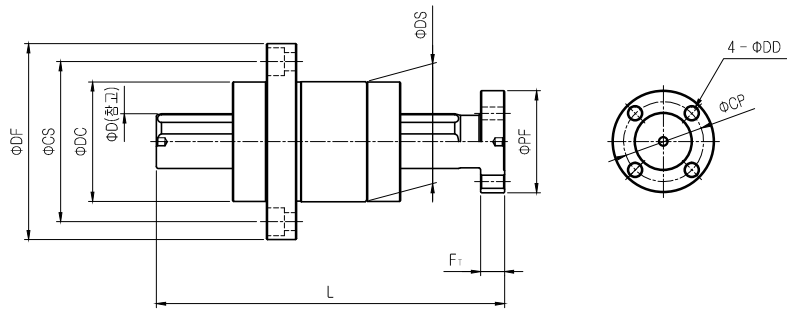
K Type



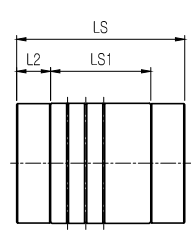
H Type

Shaft diameter (ϕD)	l max	Lmax	L_1	P_T	ϕD_1	F_T	ϕPF	ϕCP	ϕDD	C_0 (kN)	C (kN)	C_{OT} (kN-m)	C_{OT2} (kN-m)
28	675	700	25	8	37	12	51	40	6.5	58.4	22.5	2.14	1.07
32	670	700	30	9	42	13	56	45	6.5	64.2	24.2	4.11	2.06
40	665	700	35	10	54	15	70	56	8.5	114.4	41.6	9.19	4.59
50	665	700	35	12	64	15	82	68	8.5	137.7	48.1	13.59	6.80
80	655	700	45	15	98	20	124	105	13	359.3	112.5	56.28	28.14

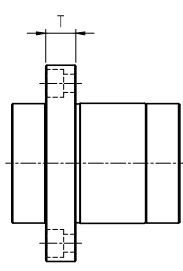
■ Dimension : McG – 00 – 00 – F – 000



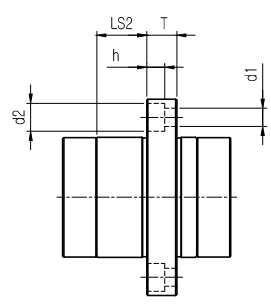
• Classification of flange position



Standard Type

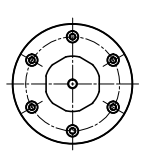


End Flange Type

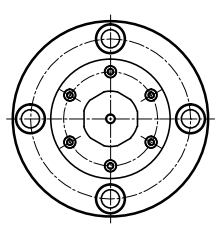


Pilot Flange Type

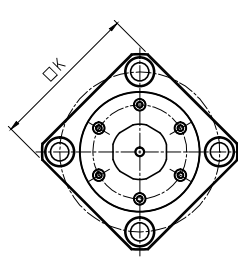
• Classification of flange shape



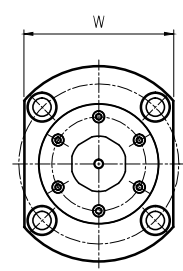
Standard Type



F Type



K Type



H Type

Shaft diameter (ϕD)	ϕDF	ϕCS	ϕDS	ϕDC	LS	LS ₁	L ₂	T	LS ₂	K	w	d ₁ ×d ₂ ×h
28	98	80	60	59.8	84	50	17	15	20	75	75	9×14×9
32	102	83	63	62.8	88	54	17	15	24	78	78	9×14×9
40	120	98	75	74.8	102	64	19	18	28	92	92	11×17.5×11
50	136	115	92	91.8	115	75	20	18	39	105	105	11×17.5×11
80	184	160	136	135.8	155	105	25	20	65	145	145	14×20×13

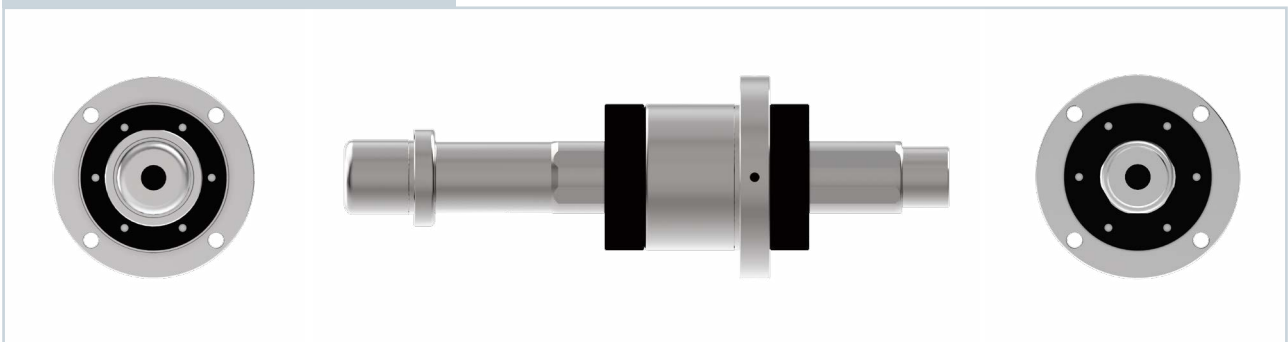
Uses

- 1) Ultra-precision transfer guide
- 2) Z-axis guide for ultra-precision measuring device
- 3) Precision cutter guide
- 4) High-rigidity press guide

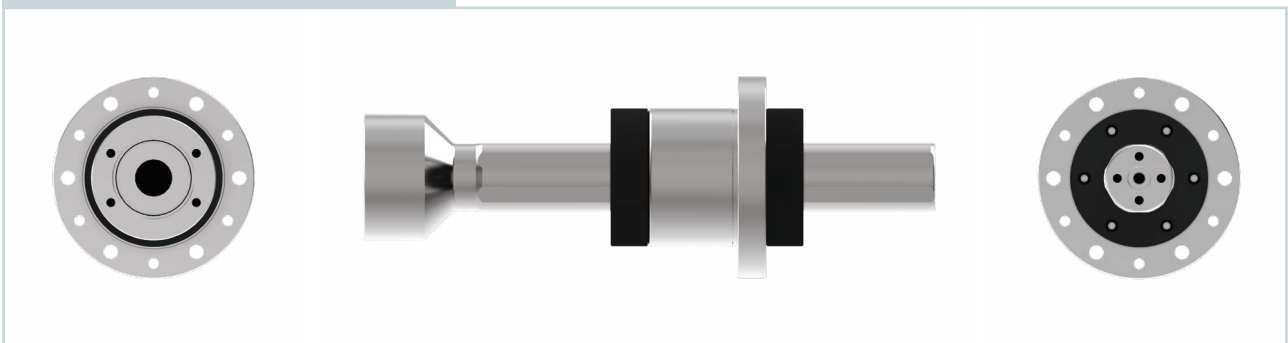
Special order product

McG - 00 - 00 - 0 - 000 - S

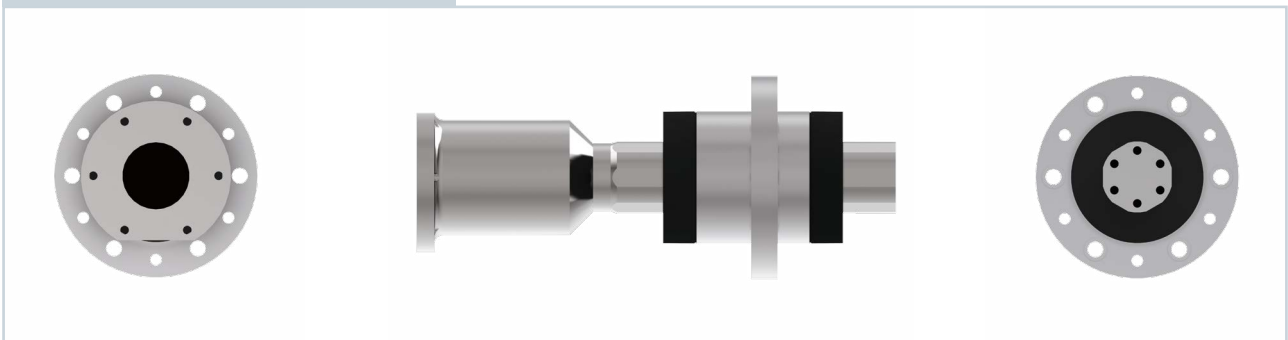
Application example #1



Application example #2



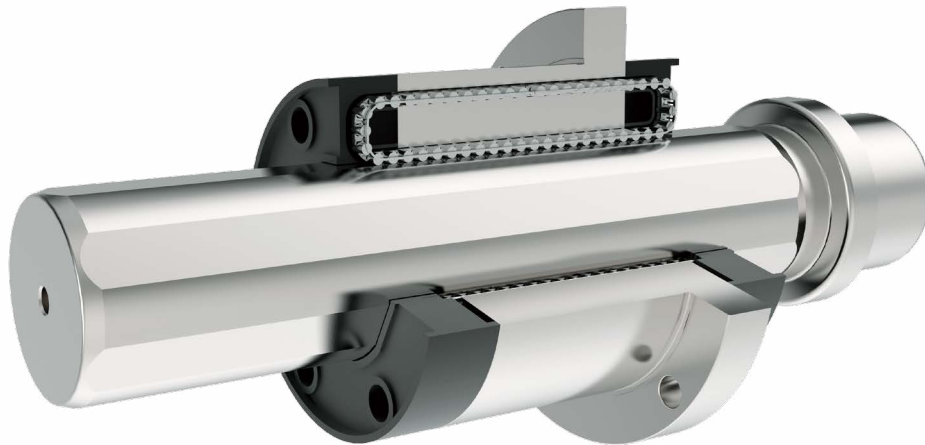
Application example #3



※ Designed and manufactured by SAMICK. Customized designs available for your convenience.



McGuide®



Copyright of all the contents of this article is owned by Samick Precision Ind. Co., Ltd.
The information contained in this document may be subject to change without prior notice.

Published by | Samick Precision Ind. Co., Ltd.

 **SAMICK PRECISION IND. CO., LTD.**

39, Seongseogongdannam-ro, 32-gil, Dalseo-Gu, Daegu, Korea (South)

E-mail | marketing@mysamick.com Web site | www.mysamick.com

Telephone | +82-53-666-7100 Fax | +82-53-583-4669