



RLX

PRECISION RANGE

The assets of a **new range**
for precision applications



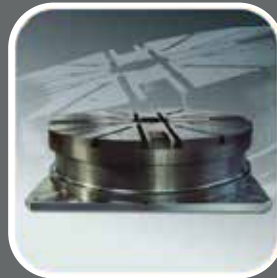
NEW BUY ONLINE: ESHOP.ROLLIX.COM

RLX-PRECISION RANGE

The assets of **the precision range**



- RLX COMPACT CB
- RLX COMPACT P
- RLX COMPACT HP
- RLX COMPACT XL
- RLX RT



The Precision range

is a new high precision slewing ring designed to quickly respond our customer's expectations.

This range is designed to give a high precision in positioning, which brings a great advantage for robots, indexing tables, positioners, machine-tools, turntables, etc.

The ROLLIX know-how in robotics is:

- More than 40 years experience
- More than 100000 slewing rings in service
- Reliable slewing rings appropriate to the machine life time
- a « crossed roller » design with preload and ground raceway

RLX precision range is the result of this experience.

A top-of-the range product

- High stiffness
- Soft and smooth rotation with low torque
- High geometric quality
- Maintenance contract possible on request, for the high precision range

Easy to use

- Quick choice
- Reduction in the number of elements
- Reduced size
- Less machining required
- Very quick and easy to install
- Weight saving
- Ex stock availability
- Reduced prototyping time
- Competitive price for small batches



RLX-CB

COMPACT

Compact Design with counterbores on both rings



For the whole RLX-COMPACT Range:

Material of the rings: 42CrMo4
Hardness: 260-290 HB

The slewing rings are delivered lubricated with MOBILUX EP2 or equivalent grease.







They have to be installed and re-greased according to ROLLIX catalogue and to ROLLIX installation and maintenance recommendations IT-ETR 941.

Use temperature: -25°C to $+70^{\circ}\text{C}$
The temperature of both rings must be homogeneous.
Lower or higher temperatures can be reached. In those particular cases, please contact us.

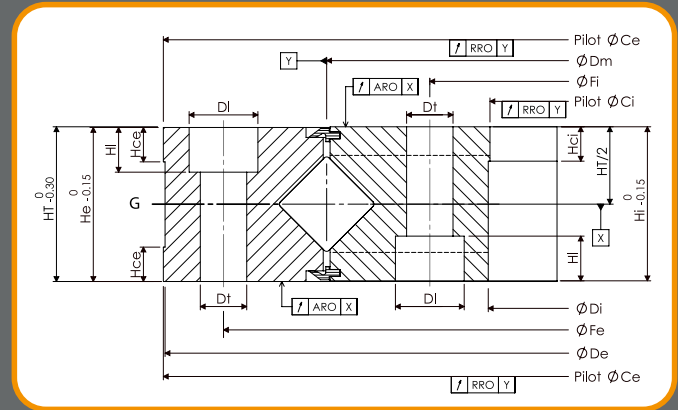
The values on capacity curves can be read directly without any additional factor.

All the dimensions are in mm.

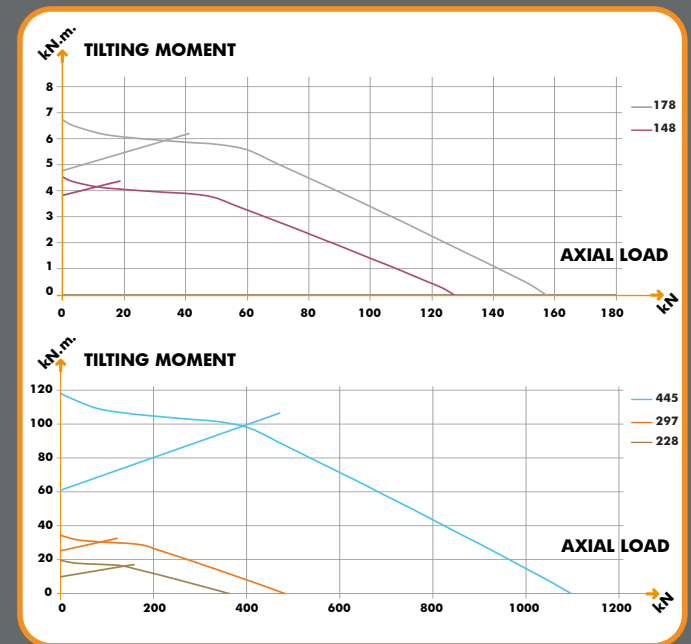


-  Machine tool
-  Indexing table
-  Tool changer
-  Turntable
-  Robot
-  Welding cell

Drawing



Static capacity curves



REFERENCES	WEIGHT		DIMENSIONS								FASTENING						2 equispaced grease nipples Dimension	AXIAL RUN-OUT		RADIAL RUN-OUT		STARTING TORQUE UNLOADED in Nm	ALLOWABLE MAX ROTATION SPEED in rpm	
	Kg	De	Di	Ce (h5)	Ci (H5)	HT	He	Hce	Hi	Hci	Dt	DI	HI	Fe	Ne*	Fi		Ni*	OR μ	IR μ	OR μ			IR μ
88-0148-00	4	208	91	210	90	25	24,8	6	24,8	10	9	14	8,6	187	12	112	12	M6 x 100	4	4	4	4	10	235
88-0178-00	6	239	116	240	115	28	27,8	8	27,8	10	9	14	8,6	217	12	139	12	M6 x 100	5	5	5	5	15	195
88-0228-00	11	294	161	295	160	35	34,8	10	34,8	10	11	17,5	10,8	270	12	184	12	M10 x 100	6	6	6	6	20	150
88-0297-00	21	379	211	380	210	40	39,8	10	39,8	10	13,5	20	13	350	16	240	16	M10 x 100	8	8	8	8	35	115
88-0445-00	41	539	351	540	350	45	44,8	10	44,8	10	13,5	20	13	505	24	385	24	M10 x 100	12	12	12	12	55	75

*Ni: Number of holes on Inner ring
*Ne: Number of holes on Outer ring

RLX-HP & P

COMPACT

This range is available in five diameters and two precision levels

RLX-HP (High Precision)

COMPACT

REFERENCES	WEIGHT Kg	DIMENSIONS								FASTENING				2 equispaced grease nipples Dimension	AXIAL RUN-OUT		RADIAL RUN-OUT		STARTING TORQUE UNLOADED In Nm	ALLOWABLE MAX ROTATION SPEED in rpm	
		De	Di	Ce (h5)	Ci (H5)	HT	He	Hce	Hi	Hci	Fe	Ne*	Fi		Ni*	OR μ	IR μ	OR μ			IR μ
88-0240-01	9	296	184	297	183	30	29,8	8	29,8	10	275	12	205	12	M6 x 100	4	4	4	4	25	145
88-0352-01	23	423	281	424	280	40	39,8	10	39,8	10	396	18	308	18	M10 x 100	6	6	6	6	40	95
88-0455-01	30	526	384	527	383	40	39,8	10	39,8	10	500	24	410	24	M10 x 100	7	7	7	7	50	75
88-0550-01	36	621	479	622	478	40	39,8	10	39,8	10	595	30	505	30	M10 x 100	8	8	8	8	65	60
88-0650-01	42	721	579	722	578	40	39,8	10	39,8	10	695	36	605	36	M10 x 100	10	10	10	10	80	50

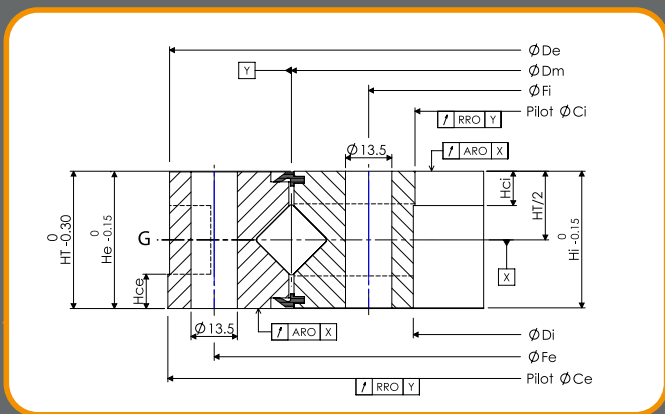
RLX-P (Precision)

COMPACT

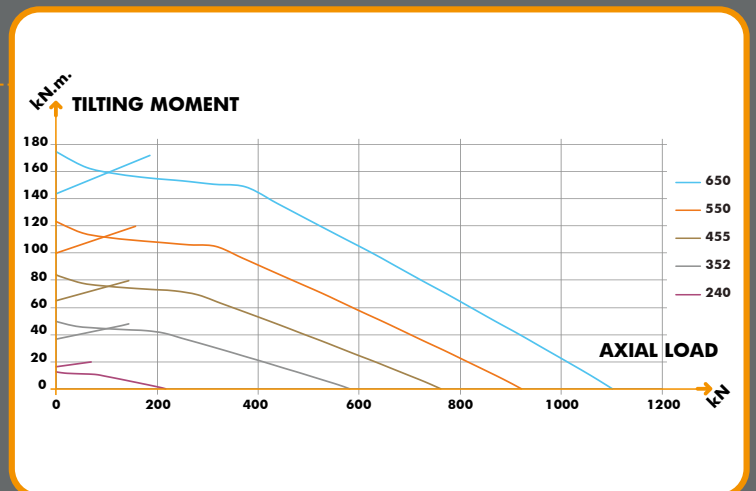
REFERENCES	WEIGHT Kg	DIMENSIONS								FASTENING				2 equispaced grease nipples Dimension	AXIAL RUN-OUT		RADIAL RUN-OUT		STARTING TORQUE UNLOADED In Nm	ALLOWABLE MAX ROTATION SPEED in rpm	
		De	Di	Ce (h6)	Ci (H6)	HT	He	Hce	Hi	Hci	Fe	Ne*	Fi		Ni*	OR μ	IR μ	OR μ			IR μ
88-0240-00	9	296	184	297	183	30	29,8	8	29,8	10	275	12	205	12	M6 x 100	10	10	10	10	25	145
88-0352-00	23	423	281	424	280	40	39,8	10	39,8	10	396	18	308	18	M10 x 100	15	15	15	15	40	95
88-0455-00	30	526	384	527	383	40	39,8	10	39,8	10	500	24	410	24	M10 x 100	15	15	15	15	50	75
88-0550-00	36	621	479	622	478	40	39,8	10	39,8	10	595	30	505	30	M10 x 100	20	20	20	20	65	60
88-0650-00	42	721	579	722	578	40	39,8	10	39,8	10	695	36	605	36	M10 x 100	20	20	20	20	80	50

*Ni: Number of holes on Inner ring
*Ne: Number of holes on Outer ring

Drawing



Static capacity curves



RLX-XL COMPACT

Extended range for Extra Large Rotary Tables



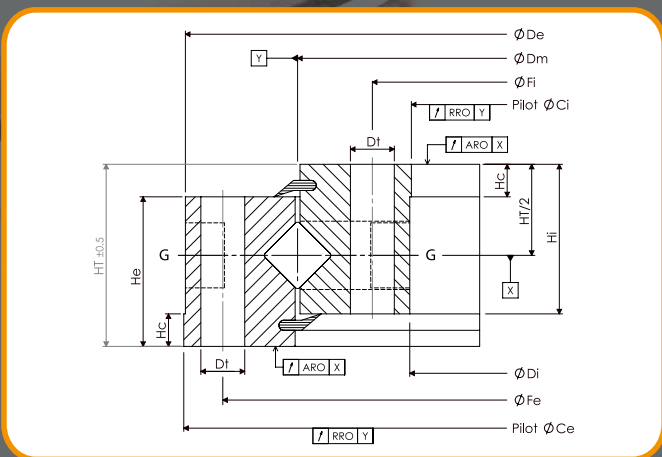
Unique existing extra large precision range on the market

REFERENCES	WEIGHT Kg	DIMENSIONS								FASTENING					grease nipples M10 x 100 NG	AXIAL RUN-OUT		RADIAL RUN-OUT		STARTING TORQUE UNLOADED In Nm	ALLOWABLE MAX ROTATION SPEED in rpm
		De	Di	Ce (h6)	Ci (H6)	HT	He	Hi	Hc	Dt	Fe	Ne*	Fi	Ni*		OR μ	IR μ	OR μ	IR μ		
88-0744-00	54	813	675	814	674	56	46	46	10	13,5	790	40	698	40	4	20	20	20	20	150	47
88-0844-00	62	913	775	914	774	56	46	46	10	13,5	890	40	798	40	4	25	25	25	25	180	41
88-0944-00	69	1013	875	1014	874	56	46	46	10	13,5	990	44	898	44	4	30	30	30	30	200	37
88-1094-00	81	1163	1025	1164	1024	56	46	46	10	13,5	1140	48	1048	48	4	30	30	30	30	250	32

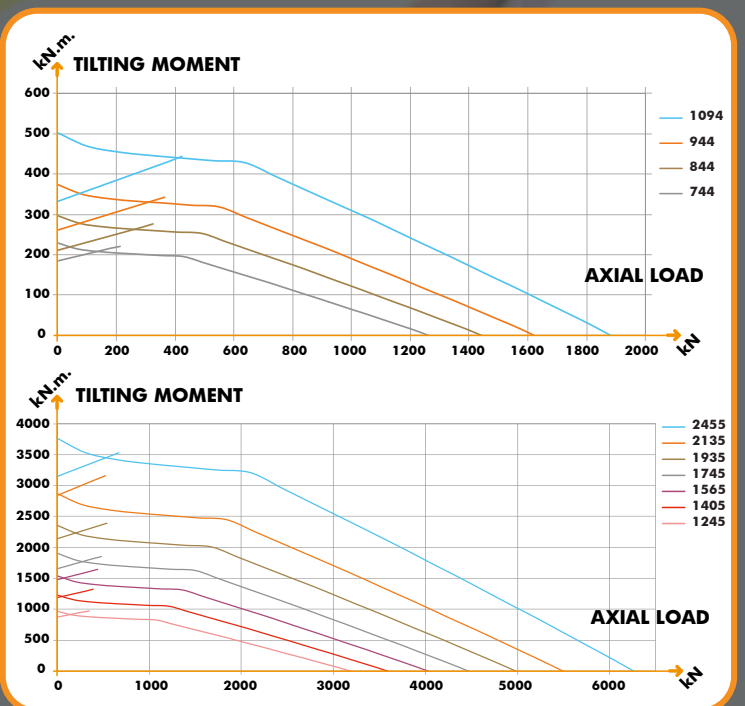
REFERENCES	WEIGHT Kg	DIMENSIONS								FASTENING					grease nipples M10 x 100 NG	AXIAL RUN-OUT		RADIAL RUN-OUT		STARTING TORQUE UNLOADED In Nm	ALLOWABLE MAX ROTATION SPEED in rpm
		De	Di	Ce (h6)	Ci (H6)	HT	He	Hi	Hc	Dt	Fe	Ne*	Fi	Ni*		OR μ	IR μ	OR μ	IR μ		
88-1245-00	199	1355	1135	1356	1134	75	65	65	10	17,5	1305	60	1185	60	6	30	30	30	30	275	28
88-1405-00	224	1515	1295	1516	1294	75	65	65	10	17,5	1465	72	1345	72	6	30	30	30	30	300	25
88-1565-00	296	1685	1445	1687	1443	80	70	70	10	17,5	1625	80	1505	80	8	40	40	40	40	350	22
88-1745-00	348	1870	1620	1872	1618	80	70	70	10	17,5	1805	80	1685	80	8	50	50	50	50	375	20
88-1935-00	645	2095	1775	2097	1773	100	90	90	15	22	2010	60	1860	60	10	50	50	50	50	600	18
88-2135-00	709	2295	1975	2297	1973	100	90	90	15	22	2210	72	2060	72	8	60	60	60	60	650	16
88-2455-00	819	2615	2295	2617	2293	100	90	90	15	22	2530	72	2380	72	8	60	60	60	60	650	14

*Ni: Number of holes on Inner ring
*Ne: Number of holes on Outer ring

Drawing



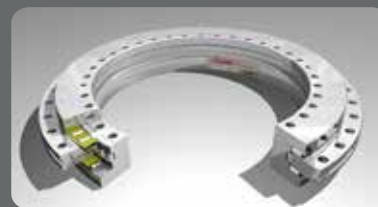
Static capacity curves





RLX - RT

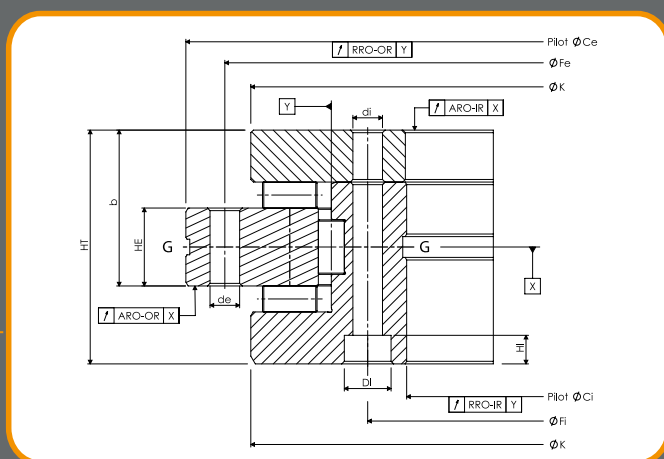
From 200 to 1030 mm
for Rotary Tables



THE FEATURES

- Very high stiffness
- High rotation accuracy
- High geometric quality
- **Interchangeability with market established standard**
- Similar range of rotation speed
- Same accuracy
- Short lead time
- High service
- **Perfect for applications requiring a high positioning accuracy:**
 - Rotary and Indexing Tables
 - Machining Centers
 - Milling Machines
 - Drilling Machines
 - Etc...

Drawing



For RT range:

Material of the rings : I00C6.

The slewing rings are delivered without lubrication (oiled for transport).

They have to be installed according to ROLLIX catalogue and ROLLIX installation and maintenance recommendations IT-ETR 238.

Use temperature : -25C to +70°C.

The temperature of the three rings must be homogeneous.

Lower or higher temperatures can be reached. In those particular cases, please contact us.

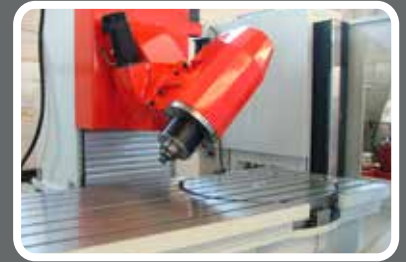
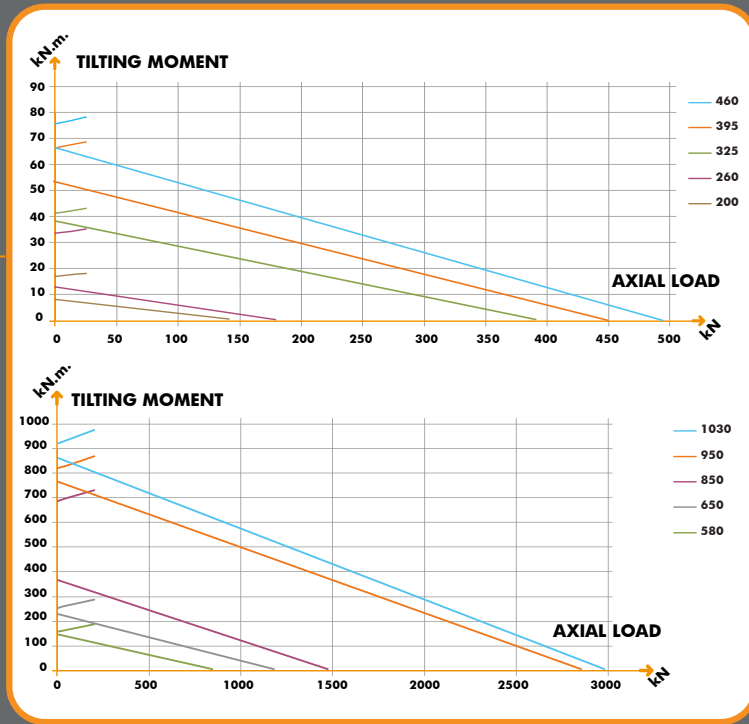
The values on capacity curves can be read directly without any additional factor.

All the dimensions are in mm.

REFERENCES	ARTICLE NUMBER	WEIGHT Kg	DIMENSIONS														FASTENING						grease holes		AXIAL RUN-OUT				RADIAL RUN-OUT		STARTING TORQUE UNLOADED In Nm	ALLOWABLE MAX ROTATION SPEED in rpm
			Dm	Ce	Ci	K	HT	HE	b	Fe	de	Ne*	Fi	Di	Hi	di	Ni*	dimensions	NG by ring	CR μ	IR μ	CR μ	IR μ									
RT 200	88-0255-60	9,7	255	300	200	274	45	15	30	285	7	45	215	11	6,2	7	46	ø3	1	4	4	4	4	15	170							
RT 260	88-0317-60	19	317	385	260	345	55	18	36,5	365	9,3	33	280	15	8,4	9,3	34	ø4	1	6	6	6	6	25	130							
RT 325	88-0391-60	25	391	450	325	415	60	20	40	430	9,3	33	342	15	8,2	9,3	34	ø4	1	6	6	6	6	35	110							
RT 395	88-0464-60	33	464	525	395	486	65	20	42,5	505	9,3	45	415	15	8,4	9,3	46	ø4	1	6	6	6	6	50	90							
RT 460	88-0535-60	45	535	600	460	560	70	22	46	580	9,3	45	482	15	8,4	9,3	46	ø4	3	6	6	6	6	70	80							
RT 580	88-0670-60	90	670	750	580	700	90	30	60	720	11,4	42	610	18	11	11,4	46	ø4	3	10	10	10	10	140	60							
RT 650	88-0758-60	170	758	870	650	800	122	34	78	830	14	42	680	20	13	14	46	ø4	3	10	10	10	10	200	55							
RT 850	88-0981-60	255	981	1095	850	1018	124	37	80,5	1055	18	54	890	26	17	18	58	ø4	3	12	12	12	12	300	40							
RT 950	88-1085-60	312	1085	1200	950	1130	132	40	86	1160	18	54	990	26	17	18	58	ø4	3	12	12	12	12	600	40							
RT 1030	88-1170-60	375	1170	1300	1030	1215	145	40	92,5	1255	18	66	1075	26	17	18	60	ø6	3	12	12	12	12	800	35							

*Ni: Number of holes on Inner ring
*Ne: Number of holes on Outer ring

Static capacity curves



Mechanical Characteristics*

REFERENCES	ARTICLE NUMBER	STATIC CAPACITIES			MAXIMUM LOADS RECOMMENDED BY ROLLIX			DYNAMICS CAPACITIES* 1 800 000 rev		
		From ISO 76			Max Loads recommended			Max Dynamics Loads recommended		
		Axial	Radial	Angular	Axial	Radial	Angular	Axial	Radial	Angular
		KN	KN	KN m	KN	KN	KN m	KN	KN	KN m
RT 200	88-0255-60	599	289	36	141	66	9	112	79	9
RT 260	88-0317-60	761	379	59	179	87	14	125	89	13
RT 325	88-0391-60	1635	619	154	384	141	38	258	147	33
RT 395	88-0464-60	1922	743	216	451	170	53	280	160	43
RT 460	88-0535-60	2099	867	273	492	198	66	289	173	51
RT 580	88-0670-60	3571	1368	581	839	313	142	503	262	110
RT 650	88-0758-60	4982	1543	919	1171	353	225	625	277	155
RT 850	88-0981-60	6226	2028	1493	1463	463	364	694	316	222
RT 950	88-1085-60	12051	3379	3160	2833	770	761	1408	582	498
RT 1030	88-1170-60	12589	3650	3565	2960	832	858	1429	604	546

*Dynamic Capacities must be considered as a maximum for dynamic loads to warranty a good reliability for life calculations.

Contact Stiffnesses**

REFERENCES	ARTICLE NUMBER	TANGENTIAL RIGIDITY FOR LOW LOADS (UNDER PRELOAD)			TANGENTIAL RIGIDITY FOR HIGH LOADS (MAX DYNAMIC LOAD)			SECANT RIGIDITY FOR HIGH LOADS (MAX DYNAMIC LOAD)		
		Axial	Radial	Angular	Axial	Radial	Angular	Axial	Radial	Angular
		KN / μm	KN / μm	KN m / μrad	KN / μm	KN / μm	KN m / μrad	KN / μm	KN / μm	KN m / μrad
RT 200	88-0255-60	14.0	4.5	0.11	9.6	4.4	0.078	9.8	3.8	0.080
RT 260	88-0317-60	17.7	5.7	0.24	11.5	5.6	0.159	12.5	4.8	0.166
RT 325	88-0391-60	28.9	7.4	0.55	17.7	6.8	0.357	22.1	5.9	0.418
RT 395	88-0464-60	34.2	8.3	0.92	20.6	8.0	0.582	26.3	6.9	0.704
RT 460	88-0535-60	37.2	9.4	1.34	22.4	9.2	0.837	29.2	7.9	1.032
RT 580	88-0670-60	44.5	12.4	2.56	27.0	11.4	1.58	35.7	10.1	1.98
RT 650	88-0758-60	62.3	14.5	4.45	37.2	12.6	2.80	52.0	11.3	3.65
RT 850	88-0981-60	77.4	17.6	9.22	46.0	16.2	5.91	68.2	14.3	7.96
RT 950	88-1085-60	96.2	18.3	14.1	59.6	18.3	8.9	70.2	15.8	10.3
RT 1030	88-1170-60	100.4	19.9	17.2	62.2	19.7	11.0	74.1	17.0	12.6

**These stiffnesses do not take into account the flexion of the rings and of the supports



DEFONTAINE S.A.
DEPARTEMENT ROLLIX



➤ Proximity, partnership

ROLLIX has established a commercial and technical presence across all five continents.

Our subsidiaries and agents provide a permanent service and build a vital partnership with your company managers.

At the heart of your project

Simultaneous engineering ensures that you benefit from our advice and experience from the moment your needs are expressed.

Technical collaboration from beginning of the project optimizes project management, guarantees quality results and allows design to cost.

Contact

Rue Saint Eloi
85530 La Bruffière - FRANCE
Tél.: +33 (0)2 51 45 94 94
Fax : +33 (0)2 51 45 92 80
Mail : info@rollix.com

Performance

For over 40 years, ROLLIX has been developing its slewing ring expertise applied to several fields of activity.

Our constant quest to learn and achieve excellence is recognised by all the world's leading companies in these sectors.

Certification

ISO 9001
ISO 14001
OHSAS

Find more information
on our Website:
www.rollix.com

