

KO SERIES | NYLATRAC[®] STANDARD (open-style carriers)



PART NUMBER CONFIGURATION:

Model	Height	Length
K03	3	14.22

Following above example, add dashes. Part number = **K03-3-14.22**

Carrier Length (between flanges) is specified to two decimals in inches. Total number of links depends on pitch length.

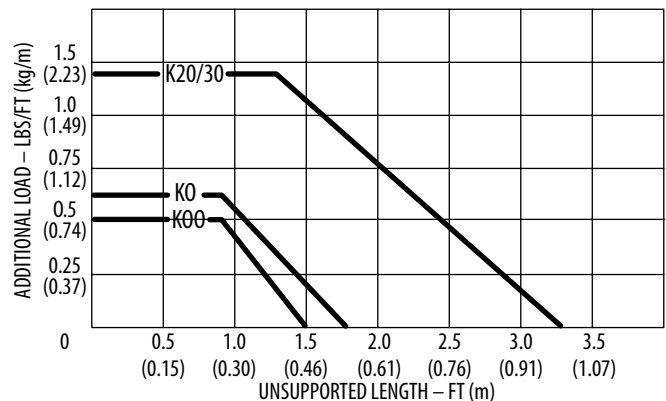
SPECIFICATIONS

MODEL	A inches (mm)	C inches (mm)	Q inches (mm)	WEIGHT lb/ft (kg/m)
K00	0.28 (7)	0.47 (12)	0.47 (12)	0.04 (0.06)
K0*	0.39 (10)	0.60 (15)	0.59 (15)	0.10 (0.15)
K02	0.97 (25)	1.47 (37)	1.18 (30)	0.14 (0.21)
K03	1.54 (39)	2.04 (52)	1.80 (46)	0.18 (0.27)
K04	1.87 (47)	2.36 (60)	2.16 (55)	0.20 (0.30)
K20	0.98 (25)	1.50 (38)	1.22 (31)	0.22 (0.33)
K30	1.42 (36)	1.89 (48)	1.61 (41)	0.25 (0.37)

*Does not hinge open – requires plastic mounting brackets (all other KO Series carriers have brackets built into links).

HEIGHT	R inches (mm)	H inches (mm)	K inches (mm)	CL inches (mm)
K00 - 15	0.59 (15)	1.57 (40)	1.42 (36)	3.04 (77)
KO - 3	1.20 (30)	3.00 (76)	2.50 (64)	5.35 (136)
K02/K03/K04 - 2	0.70 (18)	2.00 (51)	2.00 (51)	3.77 (96)
K02/K03/K04 - 3	1.20 (30)	3.00 (76)	2.50 (64)	5.35 (136)
K20/K30 - 4	1.57 (40)	3.62 (92)	3.25 (83)	7.29 (85)
K20/K30 - 6	2.57 (65)	6.38 (162)	4.50 (114)	10.43 (265)

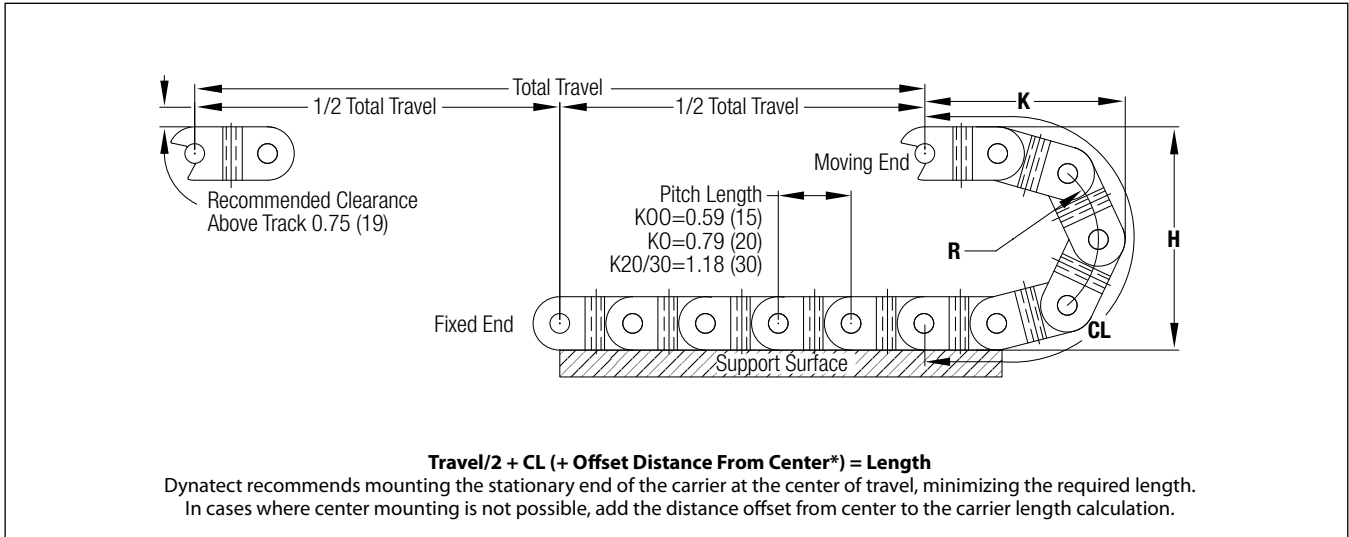
KO SERIES – WEIGHT LOAD



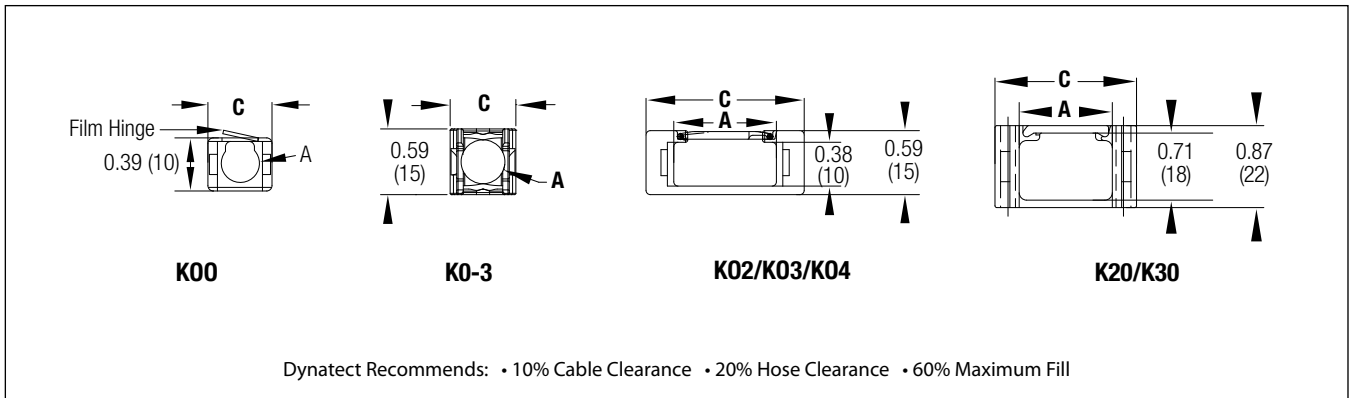
KO SERIES | NYLATRAC[®] STANDARD (open-style carriers)

CARRIER SIDE VIEW

Dimensions in inches (mm)



CARRIER CROSS SECTION



TOP VIEW: MOUNTING HOLE DIMENSIONS

