



OPERATIONAL MANUAL for Viking Safe SX line[®]

MODELS:

VS-12SX TWO-GUN CAPACITY PISTOL HANDGUN SAFE WITH MECHANICAL SIMPLEX LOCK

VS-12LSX TWO-GUN CAPACITY PISTOL HANDGUN SAFE WITH MECHANICAL SIMPLEX LOCK AND SECURITY CABLE

VS-25SX MULTI-GUN CAPACITY PISTOL HANDGUN SAFE WITH MECHANICAL SIMPLEX LOCK

VS-35SX SIMPLEX MECHANICAL SAFE (WIDE)

VS-50SX LARGE SIMPLEX MECHANICAL SAFE

VS-52SX SIMPLEX MECHANICAL HIDDEN WALL SAFE (BLACK)

VS-52SXW SIMPLEX MECHANICAL HIDDEN WALL SAFE (WHITE)

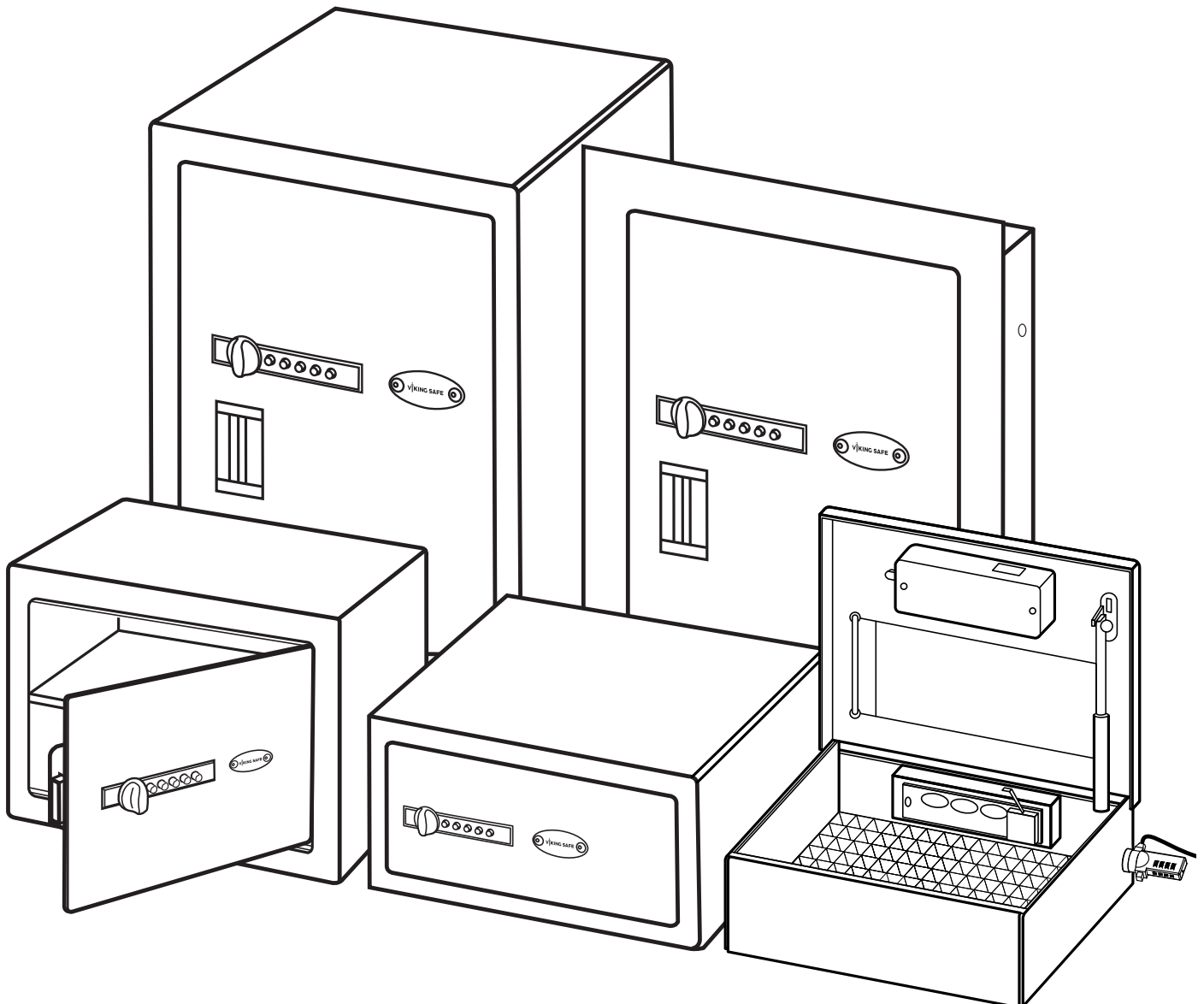
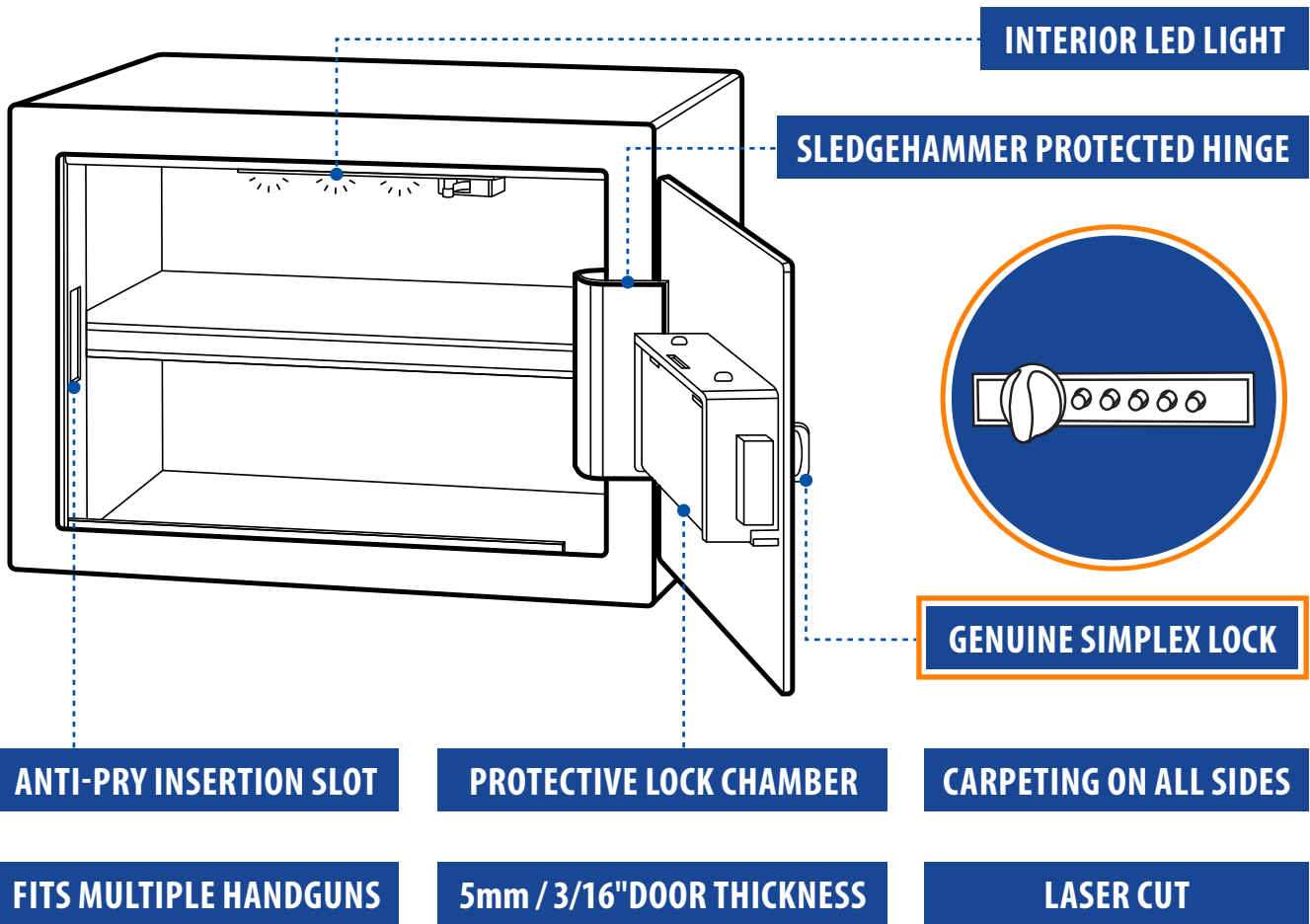


TABLE OF CONTENTS

1	Features and descriptions	3-4
2	How to unlock the safe	5
3	How to lock the safe	5
4	How to change your pin combination	6
5	How to install/replace batteries on the LED light	7
6	How to mount the safe	8
7	How to set up the combination cable lock <i>(for models with combination cable lock only VS-12LSX)</i>	9
8	Troubleshooting	10



1. FEATURES AND DESCRIPTIONS



IMPORTANT



Keep the Door Open, Program, and Fully Test functionality multiple times.

Do not close the door till you are sure your safe is programmed and work flawlessly.

Genuine Simplex Locks cannot be unlocked except with a valid push-button PIN. If you forget your PIN, your safe cannot be unlocked.



*If you need help, **contact us first.***

*We'd love to help. **Email us,** and someone will call you personally.*

Please give us a chance before returning your safe.



SX Line Safes on the Website



help@vikingsecuritysafe.com

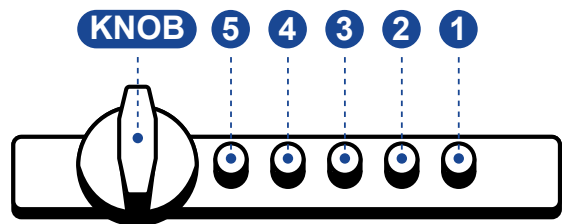
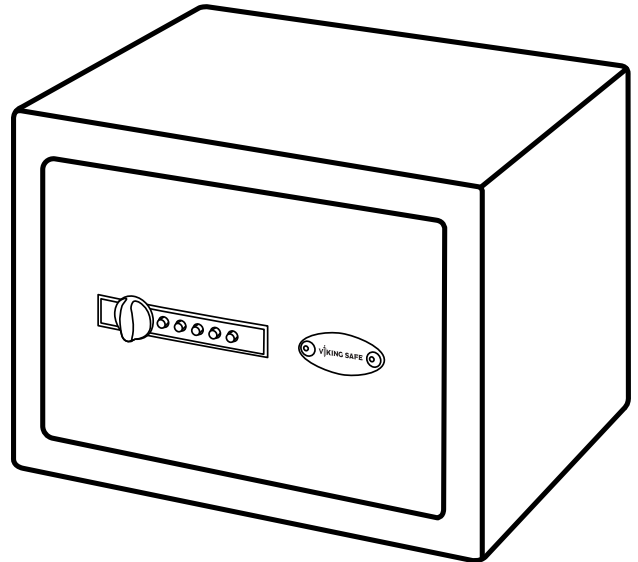
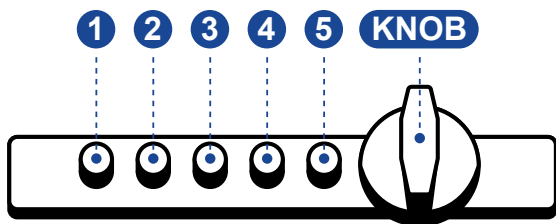
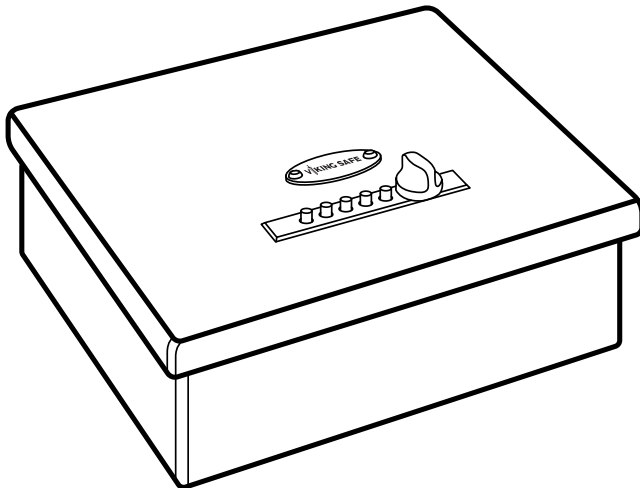


1. FEATURES AND DESCRIPTIONS

IMPORTANT

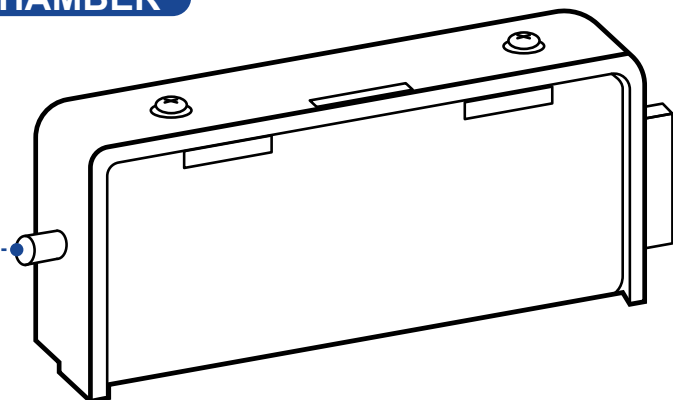


Depending on the model of your safe, the Knob of the Simplex lock may be on the left or right when facing it. The push button farthest from the Knob is always # 1, then # 2, and on. The Knob is always the last button when counting.



LOCK CHAMBER

RESET BUTTON **A**

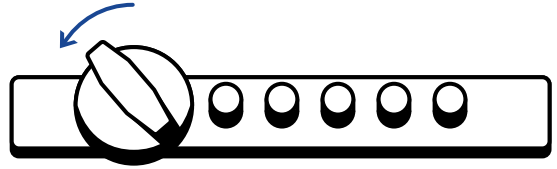


2. HOW TO UNLOCK THE SAFE

NOTE

- ⚠ **Make sure you hear a clicking sound, confirming the push buttons are pressed and/or the knob is rotating correctly.**

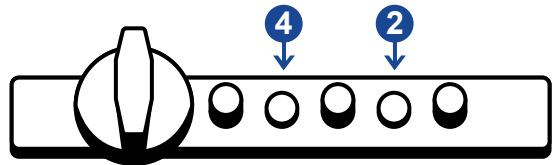
- 2.1. Turn the Knob to the LEFT (To Clear the Lock).



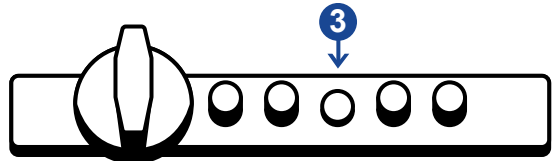
NOTE

- ⚠ **The default PIN: Simultaneously push buttons # 2 and # 4 and then # 3.**

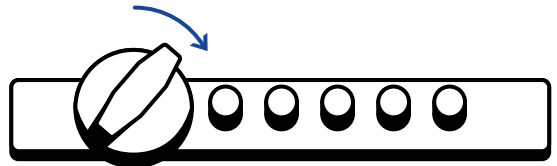
- 2.2. Press down Buttons # 2 and # 4 simultaneously.



- 2.3. And then press down Button # 3.

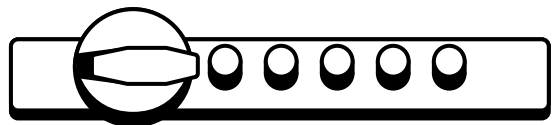


- 2.4. Turn the Knob RIGHT (clockwise) to UNLOCK your safe. The Knob should turn 90° and be parallel to the buttons. Pull the door open.

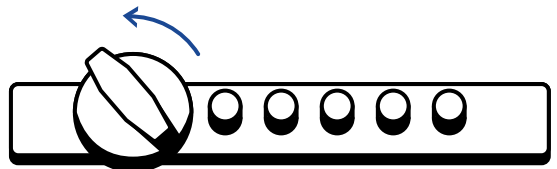


3. HOW TO LOCK THE SAFE

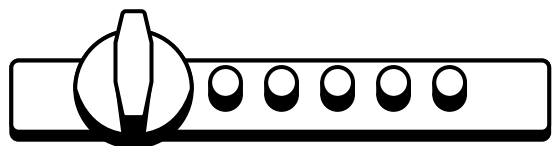
- 3.1. With the Knob in parallel position (after unlocking), shut the door closed,



- 3.2. And turn the Knob LEFT (counterclockwise) to lock the safe.



- 3.3. The Knob should lock in place.



4. HOW TO CHANGE YOUR PIN COMBINATION

IMPORTANT



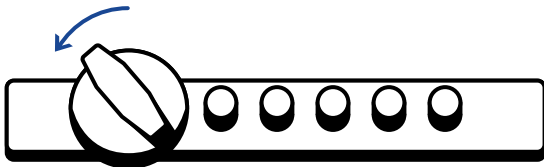
Keep the door open and **TEST** your New Combination **SEVERAL** times before shutting the door and locking your safe.

NOTE: Each button may only be pushed once in your new combination.

- Use any Button from # 1 to # 5 for your combination.
- Two or more buttons can be pressed simultaneously as part of your new combination.
- Simple two or three button combinations are easy to remember and still provide top security.
- Do NOT force Knob to turn. As a safety feature, it will break.

4.1. Unlock the safe and pull its door open.

4.2. Keep the door open; Turn Knob LEFT (counterclockwise) to Re-lock while the door is still open.



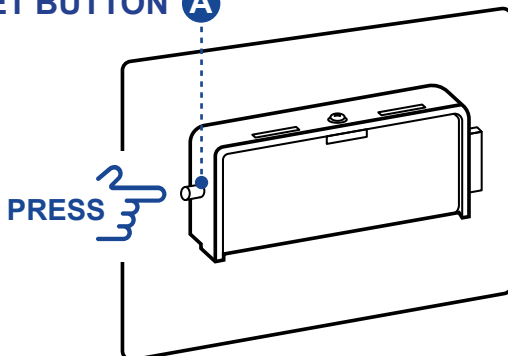
4.3. Enter the Current (or Default) Combination ONLY. **Do Not turn the Knob.**



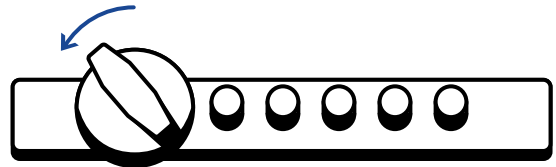
NOTE: Default combination is 2 + 4, and then 3.

4.4. Press Reset Button **A** once. It is located on the side of the lock chamber (behind the door).

RESET BUTTON A



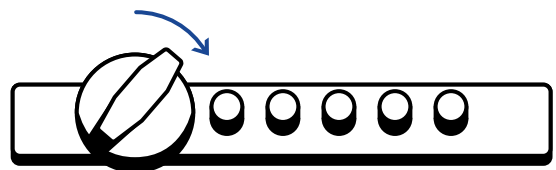
4.5. Turn the Knob LEFT (counterclockwise) to clear the lock's existing combination.



4.6. Enter your New Combination.

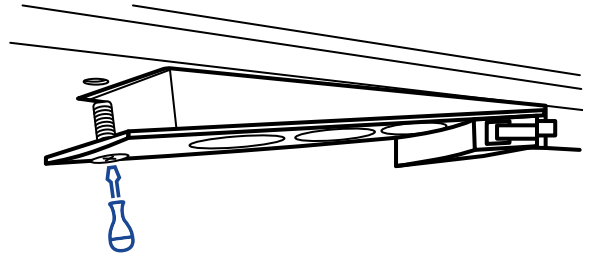


4.7. Turn the knob RIGHT (clockwise) to install New Combination.

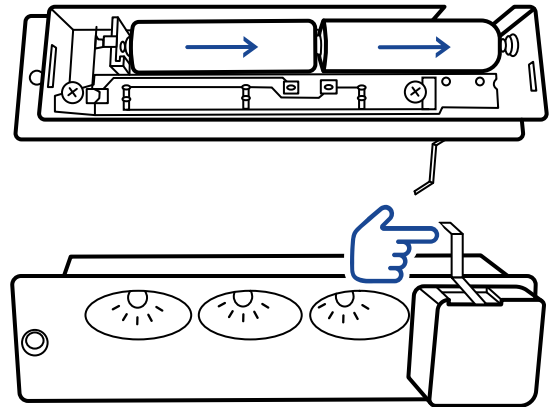


5. HOW TO INSTALL/REPLACE BATTERIES ON THE LED LIGHT

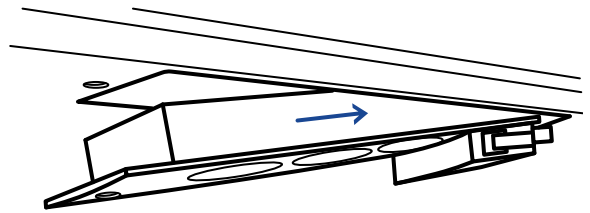
- 5.1. Unscrew the little screw on the LED light. Carefully **pull down the left (screw) side first** and slide out the LED light.



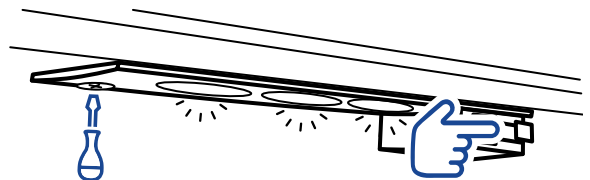
- 5.2. Install 2 new AA batteries and **test by pressing the lever down**. The light should turn on.



- 5.3. **Install the LED light** by sliding in the right (lever) side first, then tide in the crew.



- 5.4. **Gently push the lever down** to turn on the LED light; if it turns on, the installation is successful.



For step by step, visit VikingSecuritySafe.com How to? section:



6. HOW TO MOUNT THE SAFE

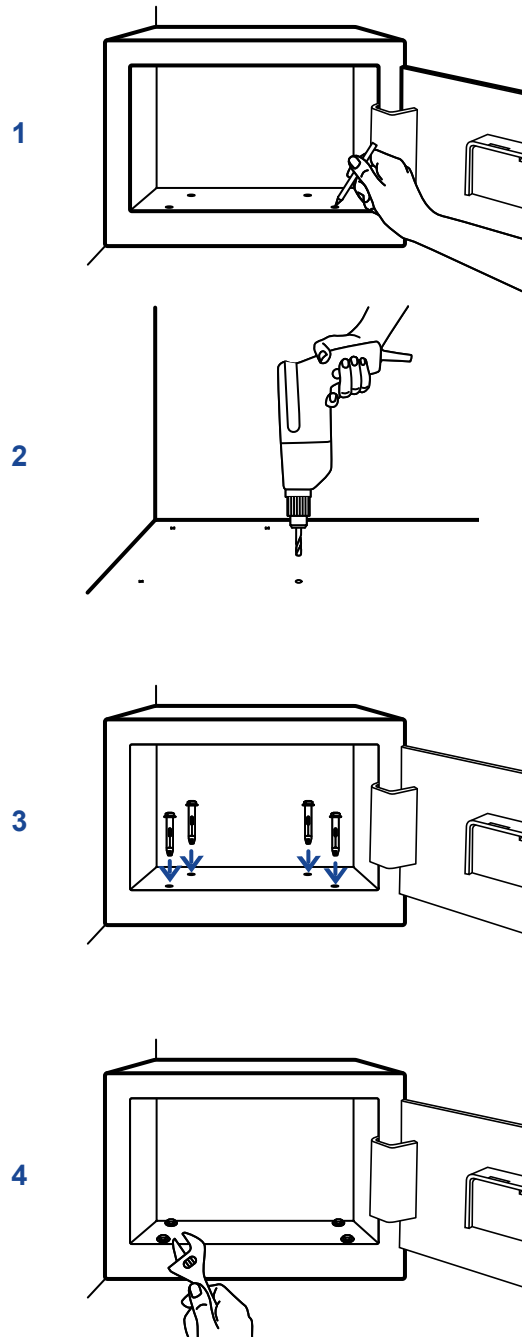
IMPORTANT



Program, Test and Inspect your safe Multiple times with the door open, before you mount your safe to a permanent Location.

IT IS RECOMMENDED TO BOLT DOWN THE SAFE TO A PERMANENT LOCATION.

- 6.1. Find the pre-drill holes. Depending on the model, they may be in the bottom and/or on the back or the side of the safe.
- 6.2. Use the provided bolts to secure your safe to a permanent location. Refer to the diagram.



7. HOW TO SET UP THE COMBINATION CABLE LOCK (FOR MODELS WITH COMBINATION CABLE LOCK ONLY VS-12LSX)

IMPORTANT

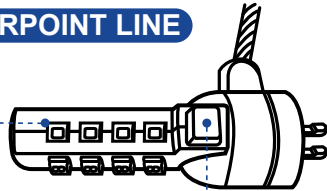


The lock is set with the Default Factory PIN 0000. Change the PIN to your personal PIN code before you start using the lock.

7.1. HOW TO UNLOCK THE COMBINATION CABLE LOCK FOR THE FIRST TIME

- Turn the dials to **Default Factory PIN 0000** at the PIN COUNTERPOINT LINE.
- And then press the OPEN BUTTON to unlock the cable.

PIN COUNTERPOINT LINE

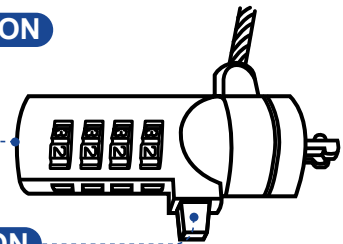


OPEN BUTTON

7.2. HOW TO CHANGE THE PIN TO YOUR PERSONAL CODE

- Push the RESET BUTTON inside and hold it until completing the next step.
- Turn the dials to your new PIN code at the PIN COUNTERPOINT LINE.
- Release the RESET BUTTON, and your new passcode is now set.
- Scramble the digits on the dial to random numbers so that your PIN combination cannot be seen.

RESET BUTTON



OPEN BUTTON



8. TROUBLESHOOTING



COMING SOON

Give Viking Security Safe a chance to help with questions or an issue with your Viking safe. Please, let us know how you like your new Viking safe.

