



VIKING SECURITY SAFE

USER MANUAL

MODELS:

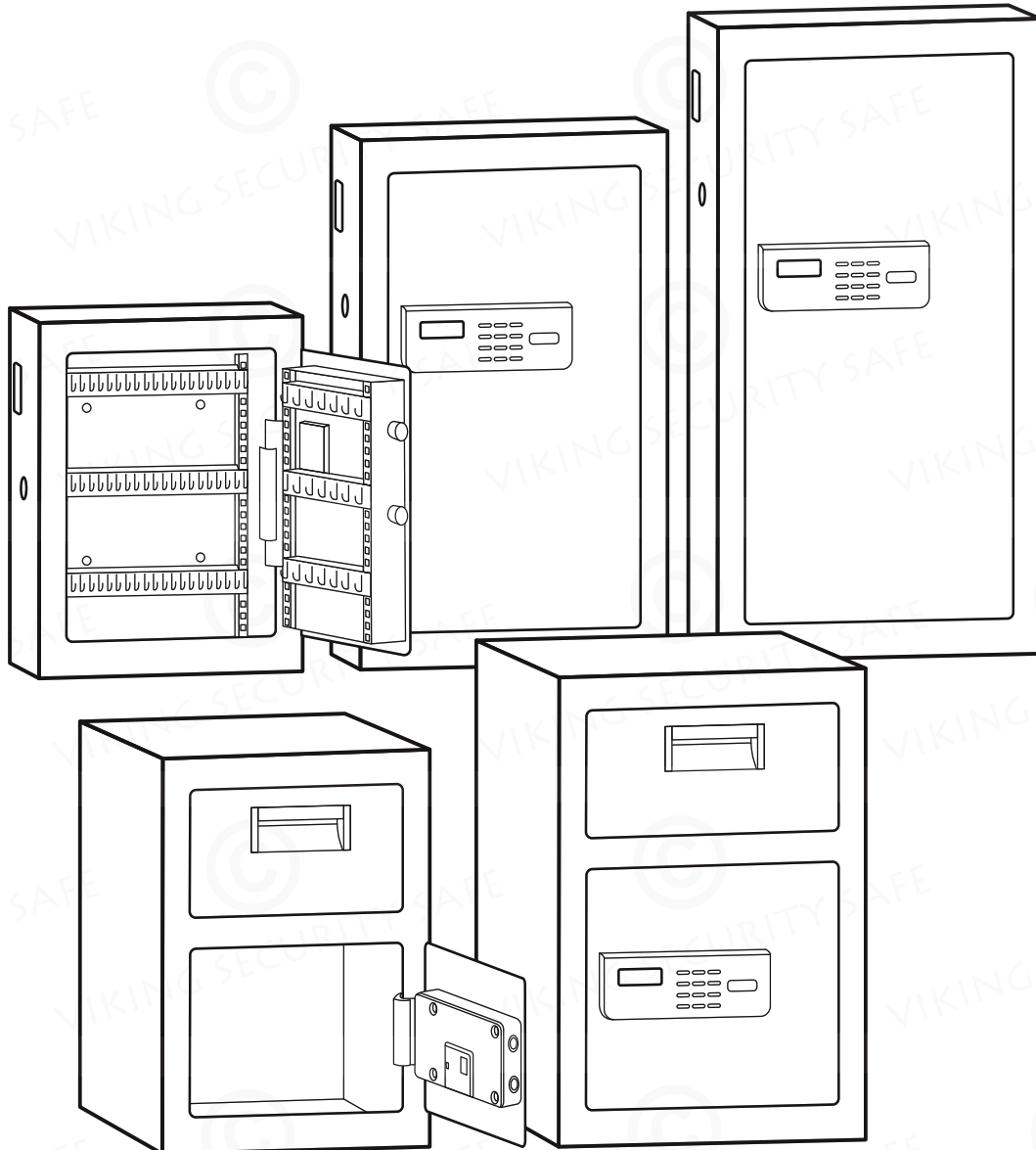
VS-51KS LCD ELECTRONIC SAFE FOR STORING KEYS

VS-100KS LCD ELECTRONIC SAFE FOR STORING KEYS

VS-144KS LCD ELECTRONIC SAFE FOR STORING KEYS

VS-40DS MEDIUM LCD ELECTRONIC DEPOSITORY SAFE

VS-48DS LARGE LCD ELECTRONIC DEPOSITORY SAFE

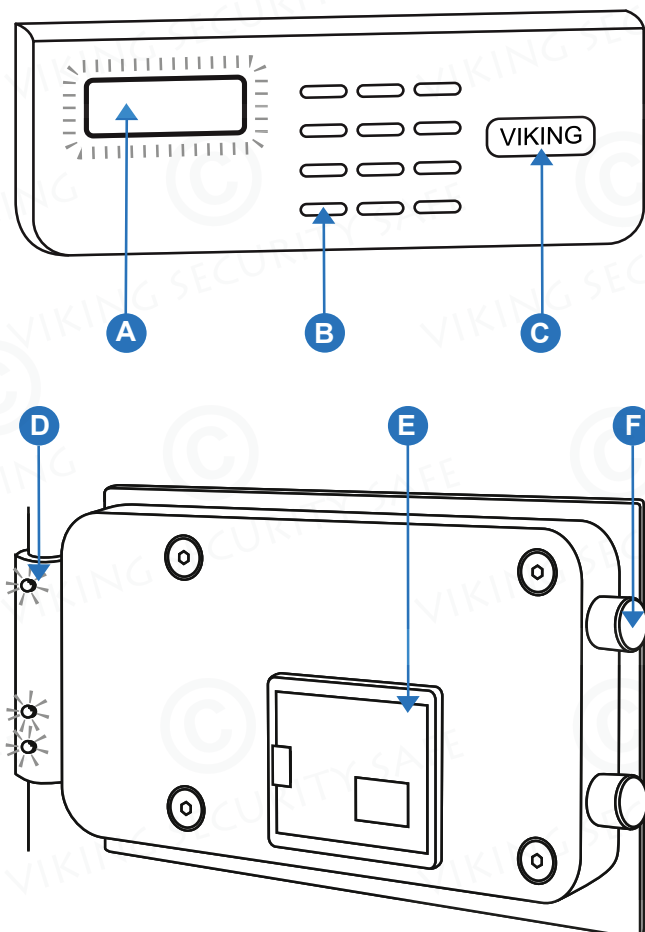


IMPORTANT

- ⚠ Do not lock the override keys inside the safe.
- ⚠ The safe can only be programmed when the safe is unlocked.
- ⚠ For security reasons the key cannot be removed, and the electronic lock is deactivated when the safe is unlocked using the override key. To remove the key, you must lock the safe using the key.
- ⚠ When new batteries are installed your PIN codes are saved. However, the sound and display function are reset to default settings, PIN codes digits are visible, and sound is on.
- ⚠ Your safe comes with 2 sets of default PIN codes. Change BOTH.
- ⚠ Test ALL functions of the safe BEFORE you mount it to a permanent location.

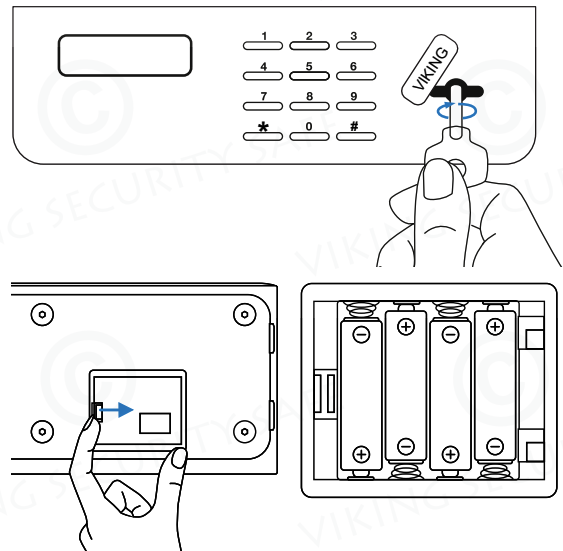
SAFE OVERVIEW

- A LCD Display
- B Keypad
- C Concealed override keyhole
- D LED interior lights
- E Battery compartment
- F Locking bolts



BEGIN WITH:

- 1 Unlock the safe with high security override key. Slide the Logo Plate, insert the key and rotate clockwise.
 - 2 Install 4 AA batteries in correct direction following illustration at the back of the battery compartment.
- ⚠** Note: When batteries need changing *LO-BAT* will show on display when press '*'.



IMPORTANT

- ⚠** THE SAFE CAN BE PROGRAMMED ONLY WHEN THE SAFE IS UNLOCKED.
- ⚠** CHANGE BOTH DEFAULT PIN CODES.

HOW TO CHANGE DEFAULT PIN CODES?

- 3 To change Employee PIN Code 8888:

- 3.1. With safe in UNLOCKED position, press '*' and 3 simultaneously. 'SET COdE' will show on the screen when.
- 3.2. Punch in your new 3 to 8 digits Unique PIN code and press #.
- 3.3. "rEPEAT" will show on the screen.
- 3.4. Punch in your Unique PIN code and # for second time.
- 3.5. 'good' will show on screen to confirm new code is changed successfully. If you hear three short beeps and 'Error' show on screen, repeat step from 3.1. to 3.4.

- ⚠** Note: when you're punching in the PIN code, you can delete a digit which input by mistake by pressing button '*'.

- 4 To change Master PIN Code 0000:


- 4.1. With safe in UNLOCKED position, press '*' and 4 simultaneously. 'OLd' will show on the screen when.
- 4.2. Punch in default PIN code 0000 and press #.
- 4.3. "NEU" will show on the screen and you'll hear 2 beeps.
- 4.4. Punch in your new 3 to 8 digits Unique PIN code and press #.
- 4.5. "AgAIN" will show on the screen.
- 4.6. Punch in your Unique PIN code and # for second time.
- 4.7. 'good' will show on screen to confirm new code is changed successfully.

IMPORTANT

- ⚠** BEFORE TESTING YOUR NEW PIN CODE, REMOVE THE KEY BY TURNING IT COUNTER-CLOCKWISE. OTHERWISE, "ERROR" WILL SHOW ON THE SCREEN WHEN INPUTTING YOUR PIN CODE.



HOW TO UNLOCK THE SAFE?

- 5.1. Press '*' , punch in your unique PIN and #.
 - 5.2. "ENT CodE" will display on the screen once you press '*' .
 Note: If wrong PIN code is entered 3 times in a row, warning beep will sound, functions of the safe will be disabled and "Error" will show on the screen for 1 minute.
 - 5.3. "OPEN" will display on the screen if the code is correct and the door will open.
-

HOW TO LOCK THE SAFE?

- 6.1. Close the door, press '*' and then #.
 - 6.2. "CLOSE" will display on the screen.
-

HOW TO SHOW/HIDE PIN CODE DIGITS ON THE SCREEN?

- 7.1. Press and hold '*' and 1 simultaneously to show or hide digits.
 - 7.2. "dP----" will show on the screen when PIN digits are hidden.
 - 7.3. "dP COdE" will show on the screen when PIN digits are visible.
-

HOW TO TURN SOUNDS ON/OFF?

- 8.1. Press and hold '*' and 2 simultaneously to turn sound ON or OFF.
 - 8.2. "SILENT" will show on the screen when sound is turned OFF.
 - 8.3. "bUZZEr" will show on the screen when sound is turned ON.
-

HOW TO ACTIVATE LED LIGHT?

- 9.1. Press #. 'LigHT ON' will show on the screen.
-

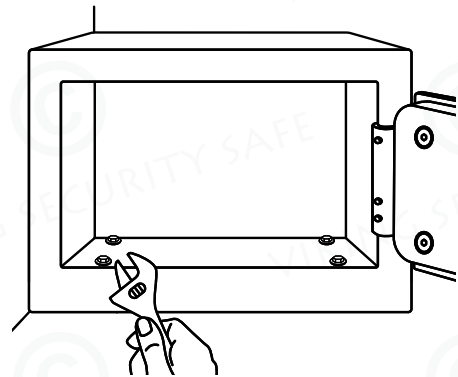
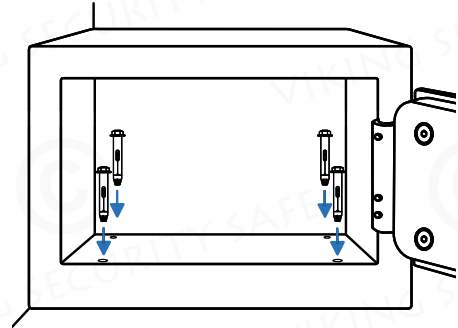
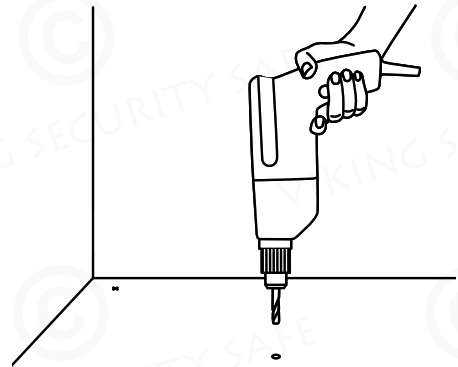
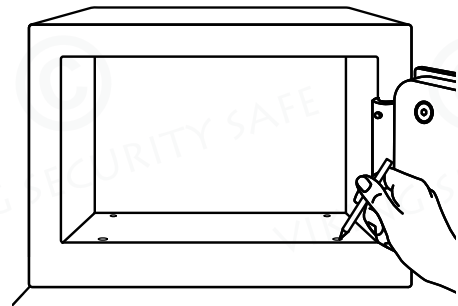


HOW TO MOUNT THE SAFE?

IMPORTANT

⚠ IT IS RECOMMENDED TO BOLT DOWN THE SAFE TO A PERMANENT LOCATION.

- 10.1. There are pre-drill holes in the bottom and on the back of each safe.
- 10.2. Use the provided mounting bolts to fix the safe securely to a solid concrete floor or wall. Refer to diagram.



VIKING SECURITY SAFE