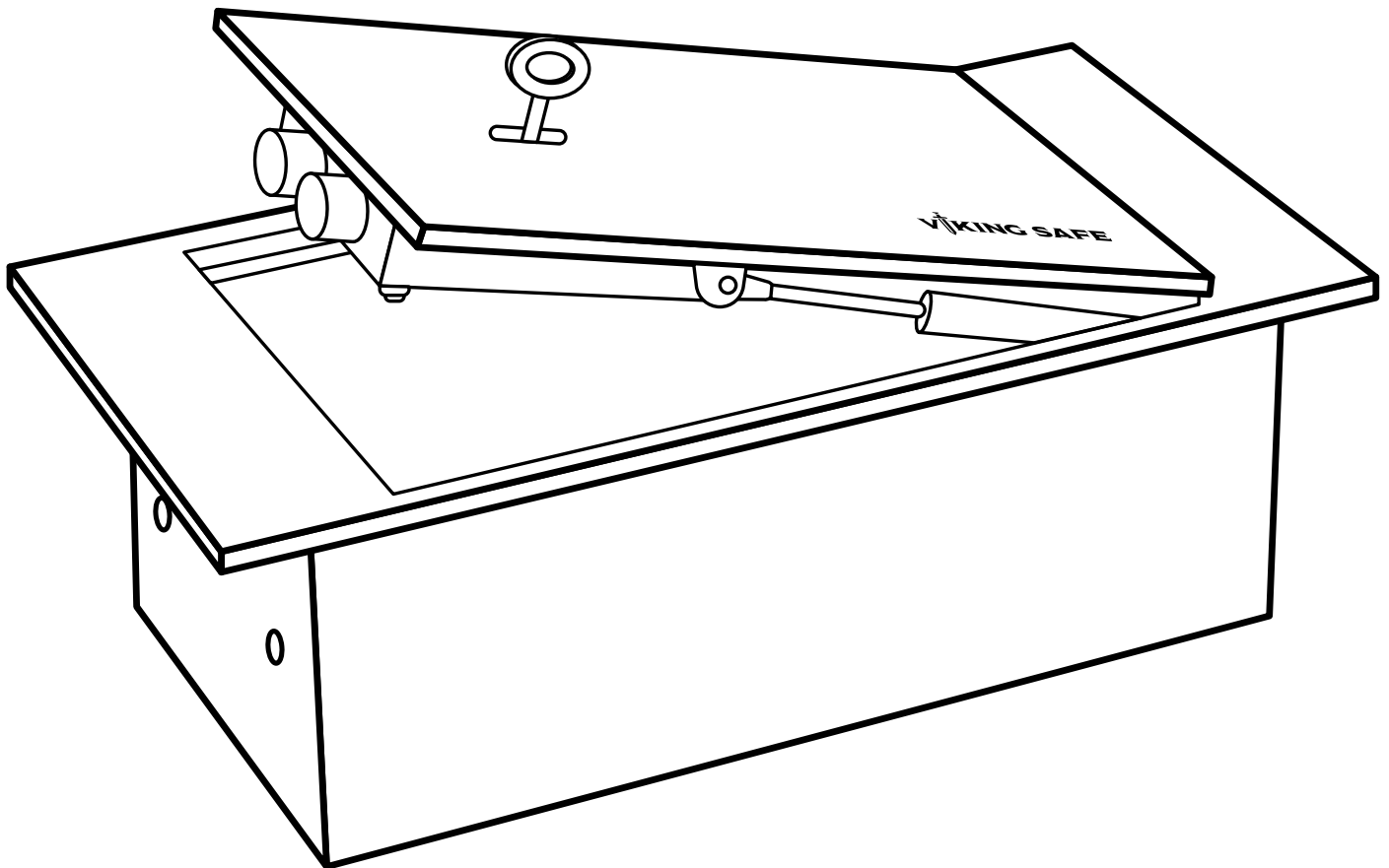




OWNER'S MANUAL

MODEL:

VS-15FL FLOOR SAFE WITH KEY AND LED LIGHT



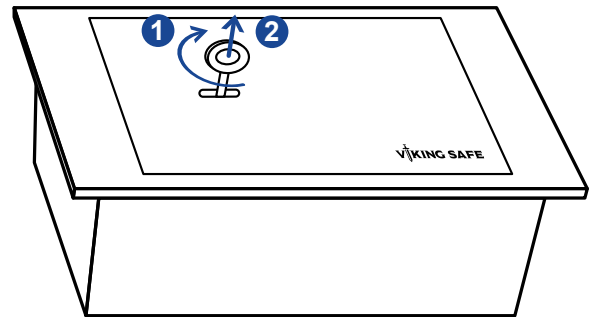
GENERAL DESCRIPTION

Thank you for purchasing your Floor Viking Security Safe. We do our best to keep you safe.

Your Floor safe has been designed to offer you hidden yet secure access to your valuables and firearms. This safe is most basic time tested key safe, you don't even need a Manual. Just in case, here is one.

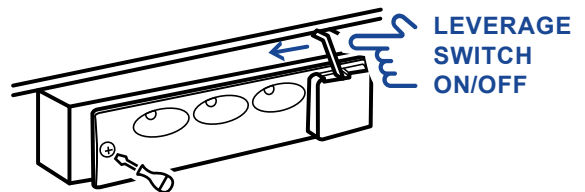
1. OPENING YOUR SAFE

- 1.1. Insert the key and Turn Right (Clockwise) to unlock your safe. Use the key to lift the lid open.
- 1.2. When not in use, hide the keys in a secure location (OUTSIDE of the safe).



2. HOW TO INSTALL/CHANGE BATTERIES ON THE LED LIGHT

- 2.1. Unscrew the little screw. Carefully pull out the screw side first and move the LED light out of its nest.
- 2.2. Install fresh batteries and the Light will Turn On.
- 2.3. Gently push the Leverage down to switch the Light OFF.
- 2.4. Put back the LED light in its nest starting with the Leverage side first.

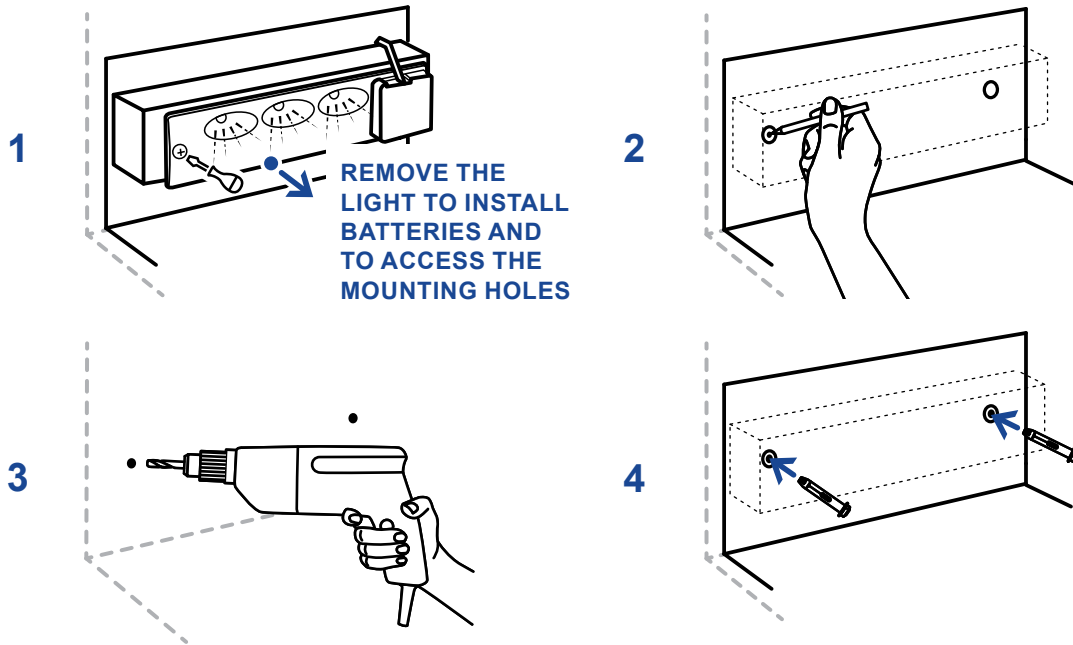


For step by step, visit:



3. MOUNTING YOUR SAFE

- 3.1. Each safe has been pre-drilled with mounting holes.
- 3.2. Once you decide where you want your safe to stay permanently, open your safe, remove the LED light to access the pre-drilled holes and locate the mounting holes.
- 3.3. Mark the hole locations, pre-drill holes, and secure your safe with provided screws.



WARRANTY

Register your safe to activate Viking 2-year manufacturer's warranty. To register online, visit: www.VikingSecuritySafe.com

DISCLAIMER

Neither seller nor manufacturer shall be liable for any injury, loss, or damage, direct or consequential, arising out of the use of, or the inability to use the vault.

The user shall determine the suitability of the safe before the intended use and user assumes all risk and liability whatsoever in connection therewith.

WARNING



It is never recommended that a loaded gun be kept in this or any other safe.

WARNING



Keep the key in a secure location. DO NOT store the key of this safe in the same safe.

For additional product information, FAQ's and troubleshooting, visit:

