



VIKING SECURITY SAFE

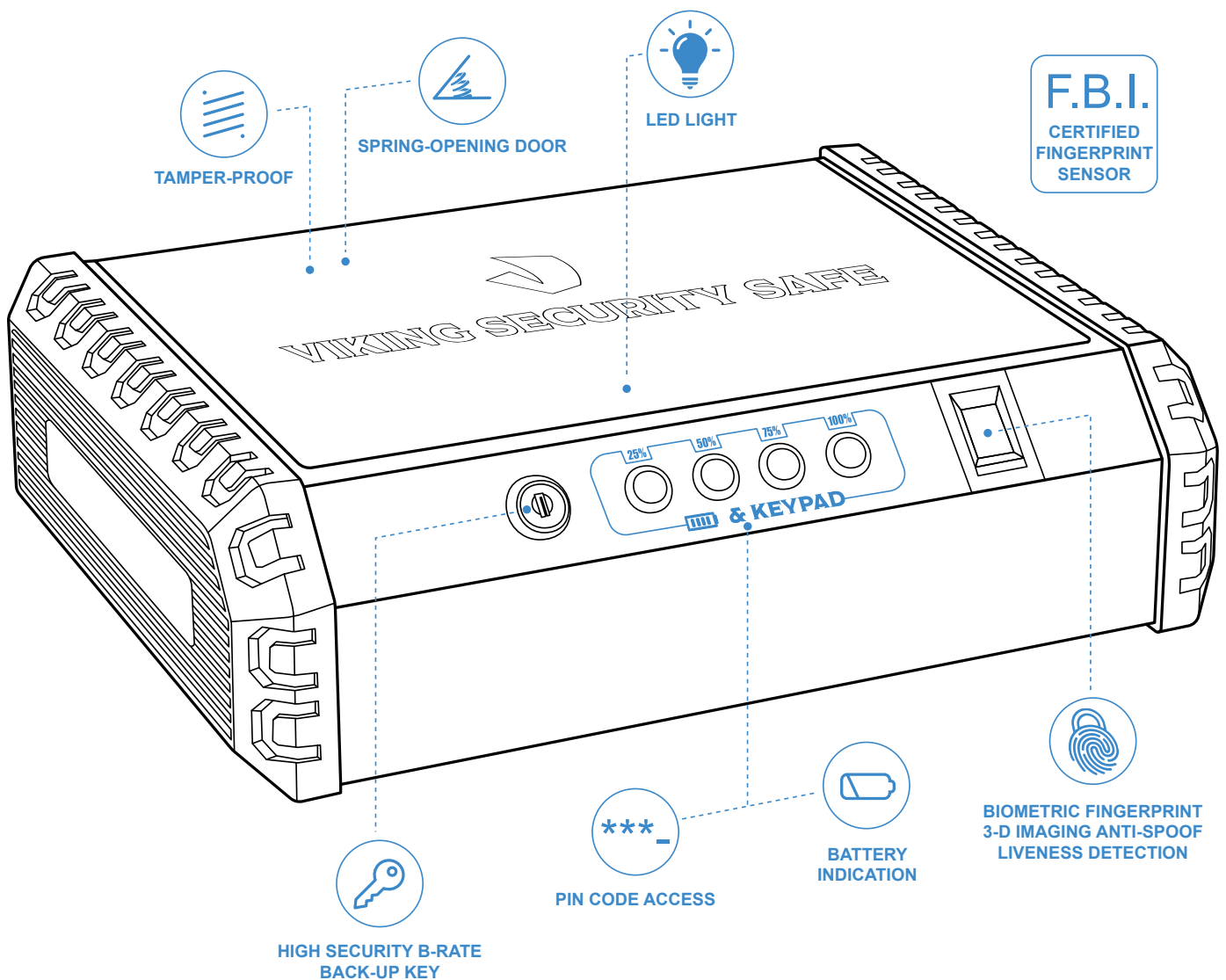
USER MANUAL

MODEL:

VIKING SECURITY SAFE VS-37PZ BIOMETRIC PISTOL GUN SAFE

Dimensions: H 3.75" (95 mm) x W 14.5" (368 mm) x D 10.75" (273 mm)

Weight: 13.2 lbs. (6 kg)



IMPORTANT!!! READ BEFORE USE

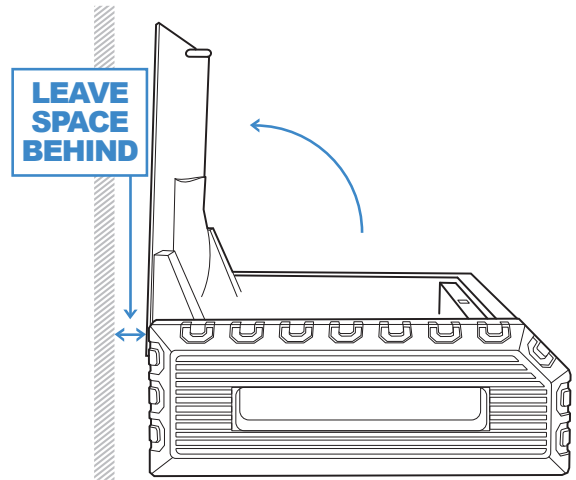
- ⚠ CHANGE default PIN code 1234 on your safe or else ANYONE can access your safe!**
- ⚠ REGISTER at least 1 fingerprint on you FBI approved biometric reader up to 34.**
- ⚠ NEVER Store the override keys on your safe inside of your safe!**
- i** The Keypad buttons on your safe serves a double duty. It shows the battery charge level and also a numeric PIN access and other functions.
- i** If the safe stops reacting on pressing the button "A", close and open again and restart the Registration process.

This is your Viking VS-37PZ Pistol Gun safe.

Unlock your safe with override key provided. Locate battery compartment and install the 4 AA batteries.

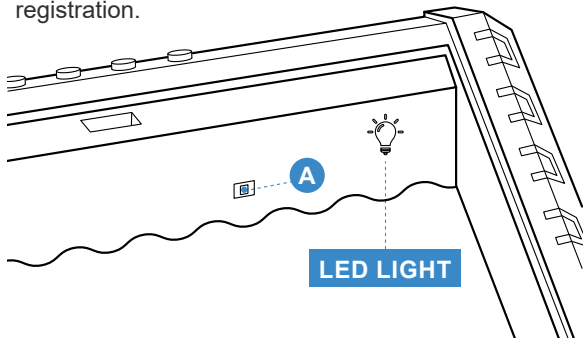
Place your finger touching both the reader and the frame around it.

- ⚠ Mount the safe with small space behind. Otherwise the top of the safe will not spring open.**



1. HOW TO MASTER RESET YOUR SAFE?

- ⚠ WARNING!** Master Reset will erase all programming and will bring your safe to Default Mode. You must CHANGE PIN code from default 1234 to a personal PIN or else ANYONE may access your safe. Follow by Fingerprint registration.



- 1.1. Locate button "A" on the inside front wall of your safe.

Press button "A" 3 consecutive times FAST. You'll hear short beeps and see keypad flash green after each press followed by a long beep after the 3rd/last press.

The keypad buttons will turn solid green accompanied by a long beep. This confirms the Master Reset is completed and all data is erased. Your safe is in default mode and ready to be programmed.

2. HOW TO CHANGE PIN CODE?

- 2.1. Press Inside Button "A". The Keypad buttons will flash green twice and 2 beeps will sound. **Enter your NEW 4- digits PIN code Twice in a Row.** You'll hear short beeps and the keypad will flash green between entries followed by a long beep and solid green light. This confirms the registration of your NEW 4- digits PIN Code.

- ⚠ NOTE:** If changing the PIN Code fails, for example, if the 4- digits of the PIN entered are not identical, the Keypad buttons will turn solid red for 3 seconds and you'll hear error beep. If this occurs, repeat step 2.1.



3. HOW TO REGISTER FINGERPRINTS?

⚠ IMPORTANT! Make sure your fingerprints are clean, dry and blemish-free before touching the biometric reader.

- 3.1. Press Inside Button “A”. The Keypad buttons will flash green twice and 2 beeps will sound. Place and Lightly Press your fingerprint on the reader and then lift it, press again on the reader and lift it. Keep pressing and lifting your fingerprint changing position on the reader until keypad turns solid green accompanied by a long beep.

You will hear short beeps and the keypad will flash green between each press and a long beep and solid green light at the end. This confirms a successful registration of One fingerprint.

- 3.2. Repeat the step 3.1 for each fingerprint registration up to 34 fingerprints.

⚠ NOTE: If Fingerprint Registration fails the light will turn solid red for 3 seconds and you’ll hear an error beep. Repeat Step 3.1 to register the same fingerprint.

⚠ IMPORTANT! Remember to register multiple fingerprints in multiple positions on the fingerprint reader to ensure speedy and consistent fingerprint access to your safe. You safe can store up to 34 fingerprints.

4. HOW TO UNLOCK YOUR SAFE WITH A FINGERPRINT?

⚠ WARNING! Entering non-registered fingerprint 5 times in a row will set off a 1-minute alarm and two-minutes time out. If any button is pressed during time-out mode, all buttons will flash to indicate that the keypad is locked.

- 4.1. Press any of the four buttons on the Keypad to “wake up” the reader. When a green light flash once and a beep sounds place your fingerprint on the biometric reader. The safe will unlock and the top of your safe will pop open.

⚠ NOTE: Place your finger touching both the reader and the frame around it.

5. HOW TO UNLOCK SAFE WITH YOUR NEW PIN CODE?

⚠ WARNING! Entering the wrong PIN for 5 times in a row will set off a one-minute alarm and 2-minute time-out. If any button is pressed during time-out mode, all buttons will flash to indicate that the keypad is locked.

- 5.1. Enter your registered PIN code. Your safe will unlock and the top of your safe will pop open. The green light flash once and a beep will sound.
-

6. HOW TO LOCK YOUR SAFE?

- 6.1. Simply close the door shut. Safe will lock automatically.
-

7. HOW TO UNLOCK YOUR SAFE WITH OVERRIDE KEY?

⚠ WARNING! NEVER STORE THE OVERRIDE KEY INSIDE THE SAFE.

- 7.1. To UNLOCK: Insert override key and turn to the right (clockwise) to unlock. Your safe will unlock and the top of your safe will pop open.
 - 7.2. To Remove override key, rotate the key back to starting position, pull out and store the keys in a secure place.
-

8. HOW TO TURN OPERATIONAL SOUNDS ON/OFF?

- 8.1. Press and Hold down the button # 1 (left on the keypad) for 4 seconds.
- 8.2. Keypad Buttons will flash green twice, and two beeps will sound indicating the sounds are ON or no beeps to indicate the sounds are OFF.

⚠ NOTE: Your new safe has operational sounds ON by factory default. To turn sounds ON/OFF follow steps 8.1 - 8.2.



9. HOW TO TURN TAMPER ALERT (SHAKE ALERT) ON/OFF

- 9.1. Press and Hold down the button # 4 (right on the keypad) for 4 seconds.
- 9.2. Keypad Buttons will flash green 5 times and one long confirmation beeps will sound indicating that the Temper Alert is turned on.
- 9.3. If temper alert feature is turned on and your safe is shaken or tampered with, you'll hear an alarm sound **for 1 minute**.
- 9.4. You can deactivate the alarm immediately by entering the correct PIN code or fingerprint. Override Key cannot deactivate the alarm sound.

i When the Temper Alert is triggered and the Alarm sounds, the Temper Alert feature will be turned off. You must turn it on again should you want this feature active. To turn on the Temper Alert feature follow steps 9.1 - 9.2.

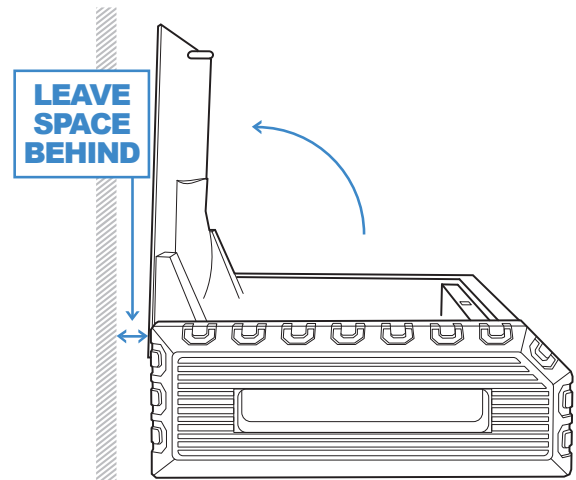
⚠ NOTE: In Default mode TEMPER ALERT Feature (shake alert) will be turned off. To activate this feature, follow step 9.1.

10. BATTERY INDICATOR

- 10.1. The Keypad buttons on your safe serves a double duty. It shows you the battery charge level and it is also a keypad for PIN access and other functions.
- 10.2. To See battery charge at any time, press and hold button # 3
 - For 100%, all 4 buttons flash green 5 times,
 - For 75%, buttons 1, 2 and 3 flash green 5 times,
 - For 50%, buttons 1 and 2 flash green 5 times
 - When battery charge is at 25%, all 4 buttons will flash in RED 5 times. This indicates low battery charge. Change the batteries immediately.

11. MOUNTING THE SAFE

- 11.1. Mount the safe **leaving a small space behind** to allow for the top to spring open. Otherwise the top will not function properly.



- 11.2. Choose a secure and convenient place to store the safe.
- 11.3. Use the predrilled holes on the bottom of the safe to mark where to place the screws on the floor.
- 11.4. Drill holes into the floor where previously marked.
- 11.5. Place the safe on the floor, matching to the holes, then mount to the floor.

Give Viking Security Safe a chance to help if you have questions or an issue with your safe. Please, let us know how you like your new Viking safe.



VIKING SECURITY SAFE

www.vikingsecuritysafe.com | help@vikingsecuritysafe.com

page 4/4