



1



Remove the cargo cover from the rear of the vehicle.

2



Remove the trim from the sides of the cargo area.

3



Attach 2 L-brackets to the outside rear of the Vault using the 1/4-20 x 1" hex bolts, 1/4" lock washers, & 1/4 x 1" washers.

4



Attach 2 L-brackets to the inside front of the Vault using the 1/4-20 x 1" hex bolts, 1/4" lock washers, & 1/4 x 1" washers.

5



Carefully slide the TruckVault into the cargo area of your vehicle. Position the Vault so it clears the rear hatch or tailgate when closed.

6



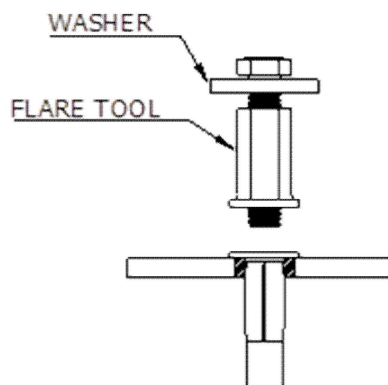
Locate the lockdown holes in the bottom of the attached L-brackets. Carefully check underneath vehicle to make sure there is nothing below the L-Bracket holes, such as wiring, gas tank, spare tire, etc. Drill an 1/8" pilot hole in the center of the marked location in the floor of the cargo area.

7



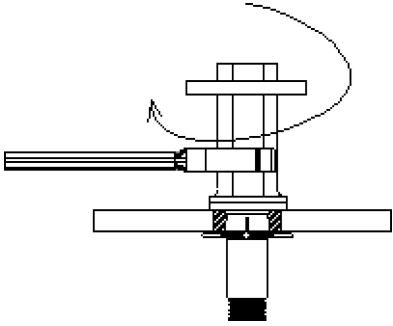
Remove the vault from the vehicle and drill a 1/2" hole where the 1/8" pilot hole was drilled.

8



Insert Plus-Nut in the 1/2" drilled hole. Attach washer & flare tool onto 2" bolt and thread into Plus-Nut.

9



Hold the flare tool with a 9/16" wrench and tighten bolt with impact wrench to collapse insert. Remove bolt, washer, and flare tool.

10



Move the vault back into place lining up the holes in the brackets with the the plus nuts.

11



Attach the Lockdown bracket to the floor using the 5/16 x 1 1/2" bolts, fender washers, & lock washers.