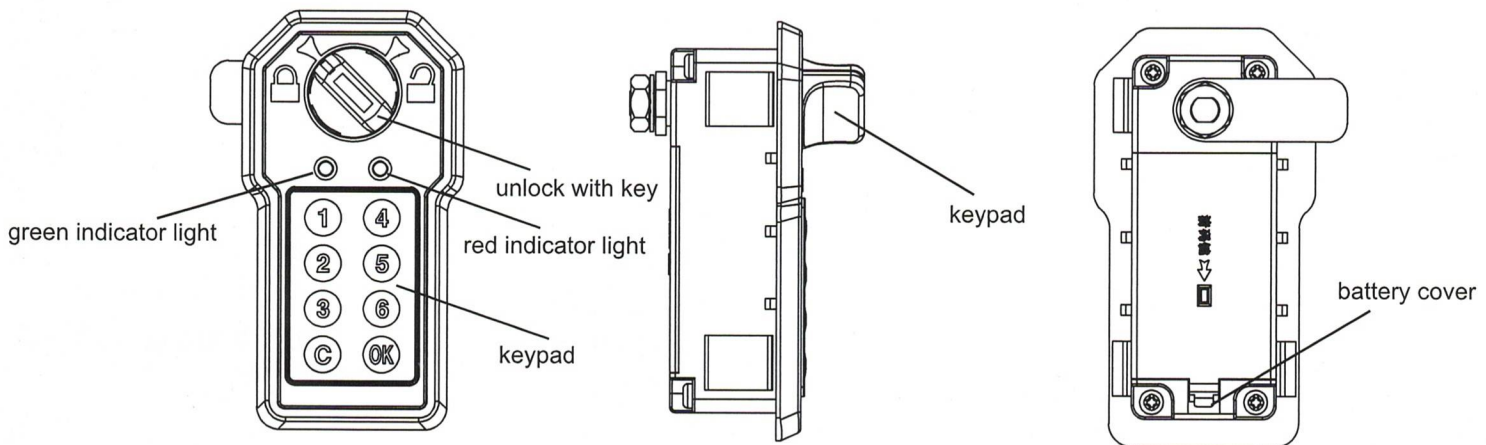


# Lock Operation

Warning: Keep out of the effects of humidity



## 1. Battery Installation:

For the first time use, please insert the key (found attached to the exterior of the cabinet) into the lock and turn 90 degree to open. After the cabinet is unlocked, please insert 2 AA batteries into the lock by removing the battery cover from the back. Re-lock the cabinet and store the key in a safe place.

## 2. To set a new passcode:

The manufacturer default password is "1". To change the passcode for the first time, press the number 1, then press "C" and input new passcode. The passcode can be from 1-12 digits. After entering the new code, press the OK button. You should hear a long beep indication the new passcode is set. To change the passcode in the future, repeat the same process starting with the current passcode, press C and input new password and press OK.

## 3. To unlock:

Enter passcode and press OK. The green light indicator will light up indicating it is OK to turn the lock and open the door. You should hear a beep each time you press the number indicating that you pressed the button correctly.

## 4. Lock:

To lock up, turn the knob counterclockwise to the lock position.

## 5. Automatic Alarm:

If a wrong password input is made four times, the code lock will prompt alarm. The alarm will be on for 60 seconds; it will be cleared if a correct password is typed in during this period of time. The alarm will reset after 1 hour or you may use the key to enter.

## 6. Low Battery alert:

When the batteries are running low, there will be a 3 beep alert indicating insufficient power. The red light indicator light will be on. Once the red light comes on, the keypad should still operate 50 more times, but please replace the batteries as soon as possible.

## 7. Emergency Unlock:

In the event the electronic keypad is not operational, you may use the key to unlock. Please keep the key in a safe place that you will remember it's location in case of emergency.

## 8. Emergency Clear Code:

Should the user forget the passcode, please see below:

Open the cabinet using the key. Press the "CLEAR" button located on the back of the lock. After you hear a long beeping sound, the passcode will revert back to "1"