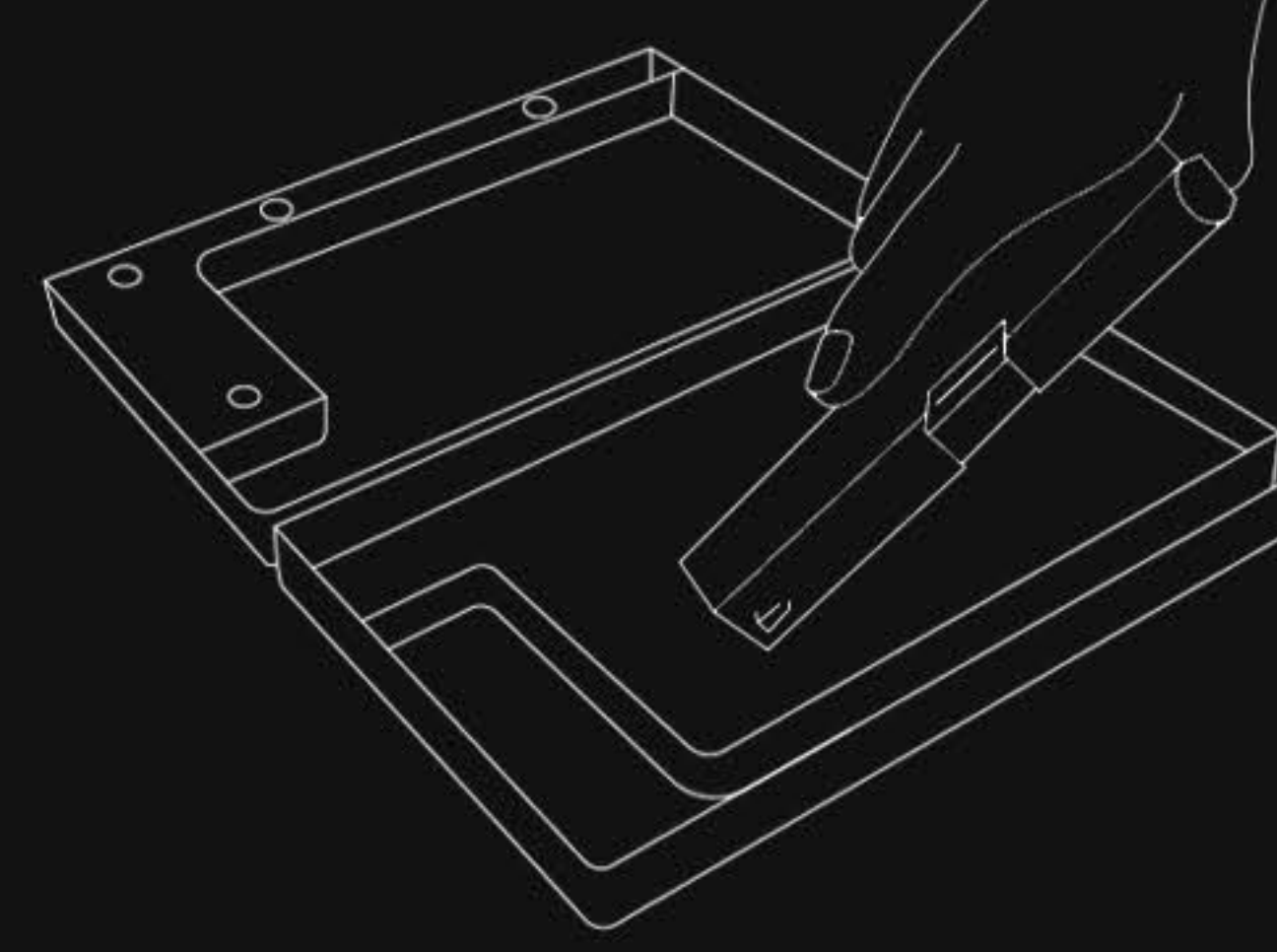
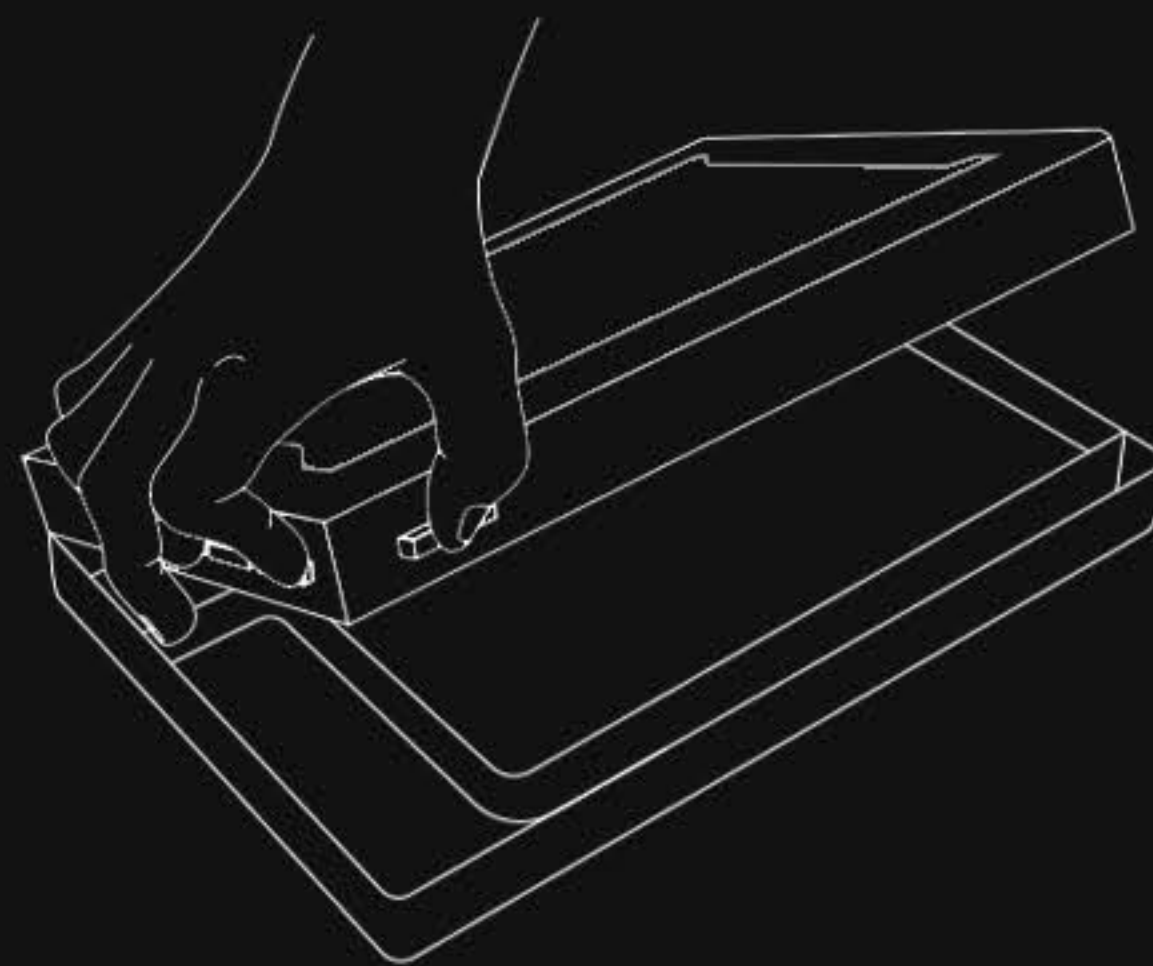
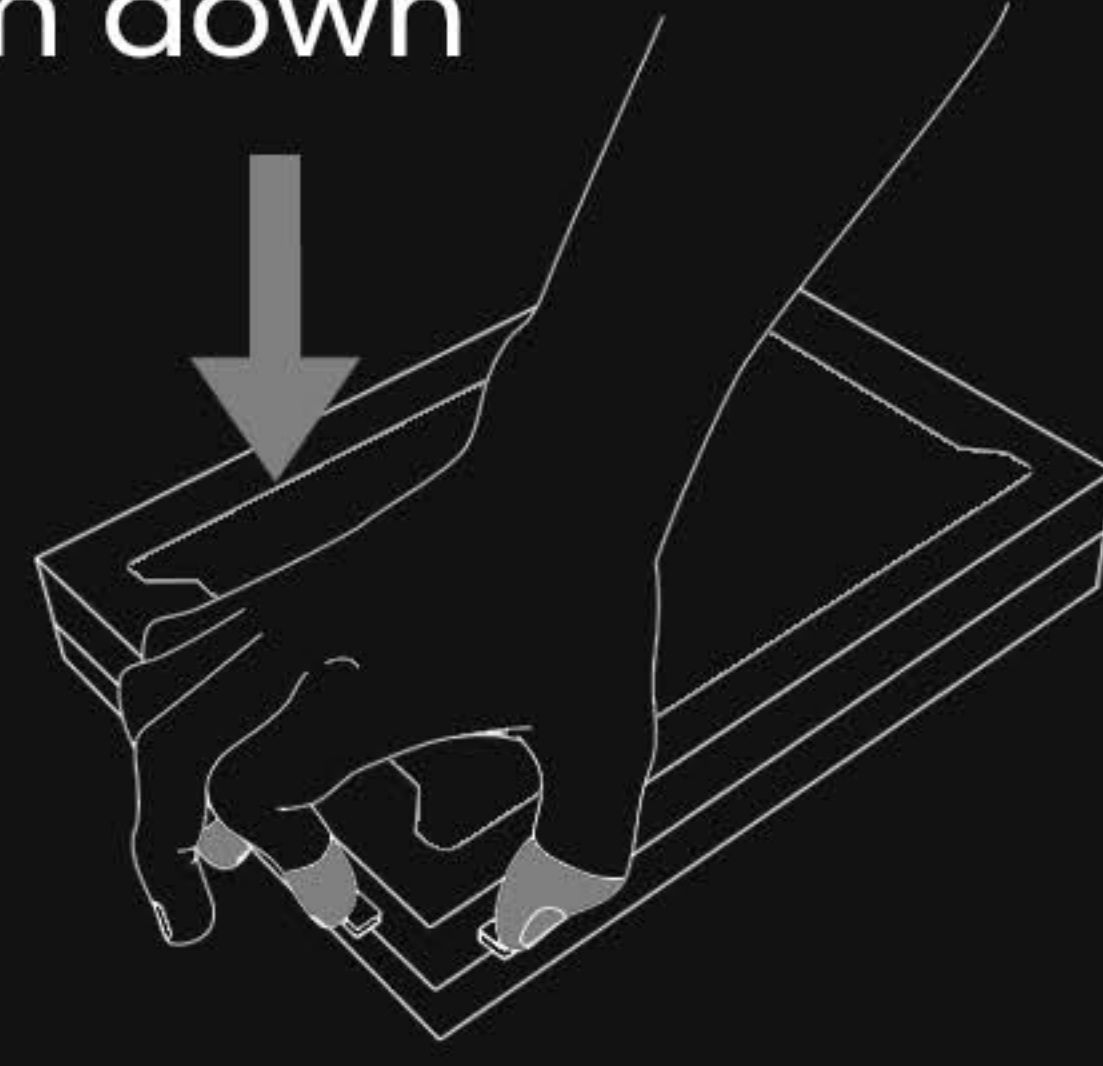


# STOPBOX PRO

## IT TAKES PRACTICE

Remember to push your palm down



▶ Quick Start



Call us for support

(509) 919-4600

support@stopboxusa.com

## ⚠ ATTENTION

Prior to using the StopBox® you must fully read and comply with all instructions and warnings of the product in the Instructions Manual. The StopBox® is intended for retaining firearms, and failure to fully read and comply with all instructions and warnings of this product could result in a firearm falling into the hands of someone other than the owner – such as a child or unwanted guest.

Failure to comply with the instructions and warnings of the StopBox® Instructions Manual could ultimately result in severe bodily injury or death. Do not place a firearm within the StopBox® until you have fully read all instructions and warnings contained in the Instructions Manual and any other manuals or documentation that accompany the product.

StopBox USA, LLC shall not be liable for any injury, loss or damage, direct or consequential arising out of the use of, or the inability to use the StopBox®. You shall determine the suitability of the StopBox® before intended use and you assume all risk and liability whatsoever in connection therewith.

FAILURE TO COMPLY WITH THE STOPBOX® INSTRUCTIONS MANUAL, OR ANY OTHER MANUALS OR DOCUMENTATION THAT ACCOMPANY THIS PRODUCT WILL RESULT IN THE LIMITED WARRANTY CONTAINED HEREIN TO BECOME VOID. ADDITIONALLY, THE LIMITED WARRANTY CONTAINED HEREIN WILL BECOME VOID IF YOU (1) SUBJECT THE STOPBOX® TO ANYTHING BEYOND ORDINARY AND INTENDED USE, (2) MODIFY, ALTER OR DECONSTRUCT THE STOPBOX®, OR (3) USE THE STOPBOX® IN VIOLATION OF ANY APPLICABLE LOCAL, STATE OR FEDERAL RULES, LAWS OR REGULATIONS.

The Instructions Manual can be found at [www.StopBoxUSA.com](http://www.StopBoxUSA.com)



Thank you for purchasing the StopBox® Handgun Retention Device. Before using the StopBox® please read carefully all the warnings and safety precautions included in this manual.

The StopBox® Handgun Retention Device is designed to conceal and prevent unintended access while your firearm is not on your body or in the safe. This is the in between while your firearm is still in use.

### SPECIFICATIONS

- Polycarbonate-ABS construction
- Interior: 9.75" x 7.15" x 1.75"
- Padlock compatible

You should seek proper firearm safety training before owning and using a firearm.

Never leave a loaded firearm unattended.

The StopBox® is intended for retaining your firearm, aiding in restricting immediate unintentional access and is not intended to be left unattended.

Never allow children to play with or handle the StopBox®.

The StopBox® is NOT a safe. You shall determine the suitability of the StopBox® to your specific situation and needs.

Regularly inspect the StopBox® for damage or wear. If the StopBox® is damaged or not functioning properly stop using immediately and replace it.

**CAUTION:** Many lubricant additives will attack plastic materials causing cracking and failure. If you need to lubricate the StopBox® we recommend using Super Lube® Multi-Purpose Synthetic Grease.

**ALWAYS** follow the four rules of gun safety.

Treat every gun as if it is loaded, even if it is not.

Always keep your finger off the trigger until you are ready to fire.

Never point a gun at something you are not willing to destroy.

Always know your target and what is beyond it.

### UNLOCKING

1. Place the StopBox® on a solid flat surface.
2. Index your hand on the corner of the enclosure and align your fingers with the 5 finger actuators.
3. Press and hold the ring and index finger actuators simultaneously. **NOTE:** pinning the StopBox® down with your palm will keep it from moving.
4. While applying downward pressure on the lid press the thumb actuator fully and lift open.

**Remember, there is a lid pressure safety. You must press the lid down to unlock the StopBox®.**

### LOCKING

Make sure any contents are within the inside barriers then firmly press the center of the enclosure until you hear it lock shut. **NOTE:** If the StopBox® will not close, press the lockbar release button while pressing your combination until the lockbar goes into the unlocked position, then try again.

### CHANGING THE COMBINATION

Open your StopBox® and press the lockbar release button. Remove the screw from the finger actuator you'd like to change. Then replace with a different number actuator.

**Number Key**, actuator will unlock when:

- 1 = not pressed
- 2 = halfway pressed
- 3 = fully pressed

Once finished, press the lockbar release button again while pressing your combination, then close.

For detailed instruction videos please visit: [www.StopBoxUSA.com/stopbox-pro-instructions](http://www.StopBoxUSA.com/stopbox-pro-instructions)

If you have questions please contact us at support@stopboxusa.com or (509) 919-4600.

### MAINTENANCE

Periodically check that all screws are tightly fastened and there are no signs of corrosion.

### LIFETIME WARRANTY

Limited Lifetime Manufacturer's Warranty: StopBox USA, LLC (StopBox USA) is proud of the workmanship of the product you have just purchased. StopBox USA warrants that each new StopBox® will be free from defects in material and workmanship for the lifetime of the original purchaser. If there is a defect in either materials or workmanship during your lifetime, we will repair or replace your StopBox® at no cost to the purchaser.

StopBox USA's obligation under the Limited Lifetime Manufacturer's Warranty is limited to the repair (including labor) or replacement of any product that proves to be defective. Claims shall be made under this warranty by calling 509-919-4600, emailing support@stopboxusa.com or writing to StopBox USA, 932 N Lake Rd Spokane Valley, WA 99212.

StopBox USA takes seriously its obligation to stand behind its product with this warranty as long as the StopBox® is properly cared for as instructed in the Instructions Manual. The warranty does not apply to the StopBox® or parts that have been misused, neglected or subjected to unusual or extreme conditions and/or environments, or to unreasonable wear and tear. Changing or modifying the StopBox® in ways that affect its intended use will void this warranty.

Limitation of Remedies: In no case shall StopBox USA be liable for any special, incidental, or consequential damages based upon breach of warranty, breach of contract, negligence, strict tort, or any other legal theory. Such damages include, but are not limited to, loss of profits, loss of savings or revenue, loss of the contents of the StopBox®, loss of use of the StopBox® or any associated equipment, cost of capital, cost of any substitute equipment, facilities or services, downtime, the claims of third parties including customers, and injury to property.

No Other Warranties: This agreement is understood to be the complete and exclusive agreement between the parties, superseding all prior agreements, oral or written, and all other communications between the parties relating to the subject matter of this agreement. No employee of StopBox® or any other party is authorized to make any warranty in addition to those made in this agreement.

THIS WARRANTY PERTAINS ONLY TO THE STOPBOX® ITSELF, AND DOES NOT EXTEND TO THE CONTENTS OF THE STOPBOX®.

Disclaimer of Warranty:

THE ABOVE WARRANTY IS IN LIEU OF ALL OTHER WARRANTIES EXPRESSED OR IMPLIED, INCLUDING WARRANTIES OF MERCHANTABILITY AND FITNESS FOR A PARTICULAR PURPOSE, WHICH EXTENDS BEYOND THE WARRANTY SPECIFIED ABOVE, AND IN NO EVENT SHALL THIS WARRANTY BE DEEMED TO COVER INCIDENTAL OR CONSEQUENTIAL DAMAGES OF ANY KIND.

Venue and Choice of Law: Any claims arising from this limited warranty shall be resolved in the State of Washington and Washington law will apply to any dispute.