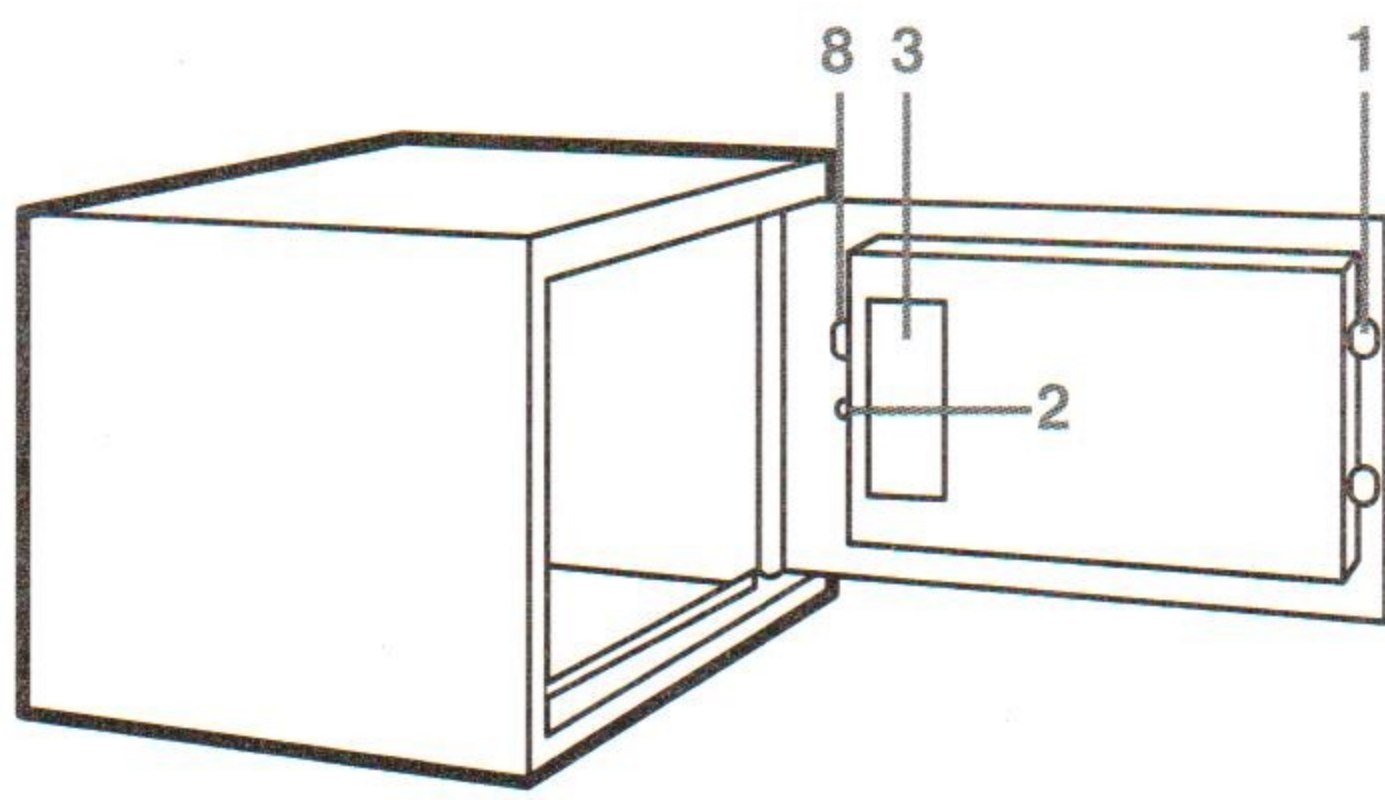
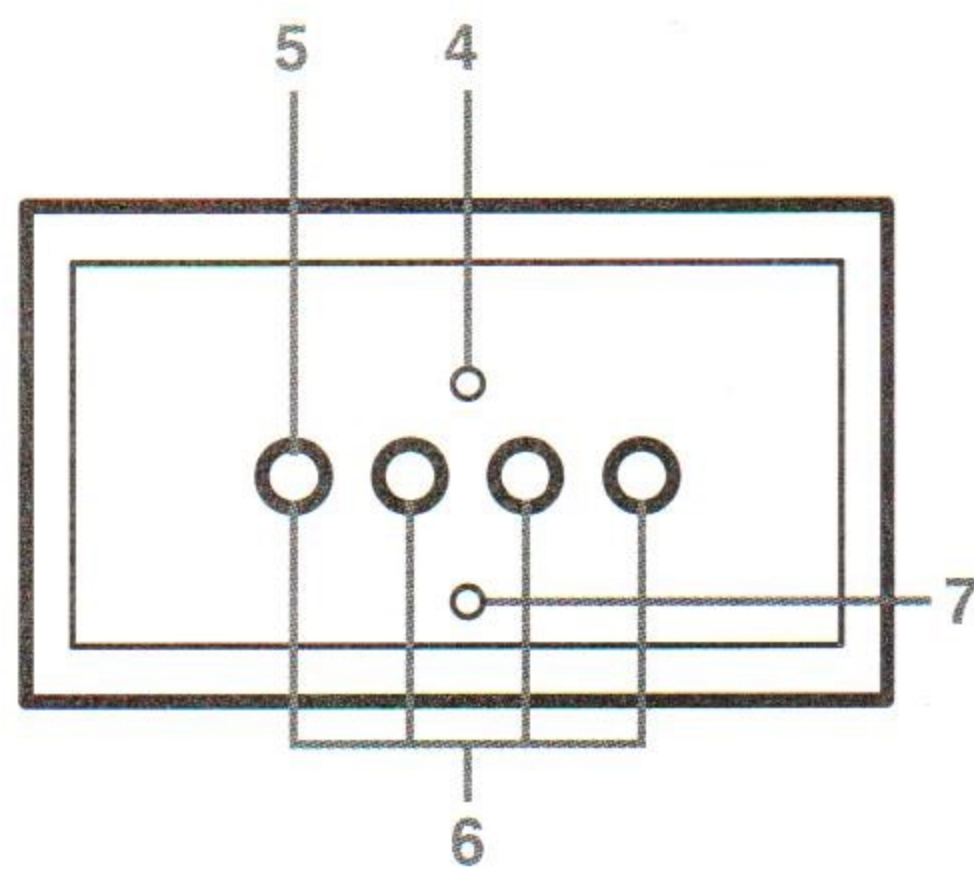


SECOND AMENDMENT Digital Pistol Vaults (DPV-100) Instruction Manual



Schematic drawing of case



Schematic drawing of control panel

1. Locking Bolts
2. Program Button
3. Battery Compartment
4. Lock Button

5. Back Light
6. Numbered Buttons
7. Emergency Lock Cover
8. Light

Opening the Vault for the First Time

To open the Second Amendment vault the first time, locate the key provided. Remove the "Emergency lock cover" (7 on diagram). Next, insert the emergency key and turn it counter-clockwise to open the door. Install batteries and set code per instructions below.

Installing the Batteries

For this step you will need 4 AA high quality alkaline batteries (not included) With the door open, locate the "Battery compartment" (3 on diagram) and open the battery cover. Insert the 4 AA batteries, paying attention to the "+" and "-" signs. If the batteries are installed correctly the vault will beep once and the interior light and front access buttons will illuminate. Close the compartment.

Opening Vault with the Factory Preset Code

The factory preset code for your vault is I, II, III, IV. To wake the system press the "Lock button" (4 on diagram). Once the system is awake, all four front buttons will light up blue and beep once. Now enter the factory code of I, II, III, IV. Each blue light will flash green once and return to blue when the correct number is pressed. Once all four numbers have been entered successfully the buttons will flash green one by one from left to right and the door will automatically open. If the code is entered incorrectly, the blue lights will flash green four times and you will hear four audible beeps. The buttons will then return to blue so that the correct code can be entered.

Programming

The Second Amendment vault will only accept 4 digit codes. To enter your own 4 digit personal code, locate the "Program button" (2 on diagram) and make sure the "Locking bolts" (1 on diagram) are in the unlocked or retracted position. Please note that you will need to remove the program button's protective cover by unscrewing it counter-clockwise. Once the cover is removed, press the program button once. The four front buttons will flash and you will hear two audible beeps. Enter your new 4 digit code, pause and enter it again. If your new personal code has been accepted the buttons will flash twice. Replace the program button's protective cover and record your new 4 digit personal code in a safe place.

Locking the Vault

To lock the vault, close the door and press the "Lock button" (4 on diagram) twice and hold the door closed briefly while the bolts automatically lock. This will be confirmed by the front buttons flashing green one by one from right to left and one audible beep. If the buttons light up blue when the "Lock button" is pressed you will need to press the "Lock button" again to reset the electronic cycle.

Opening the Vault using the Emergency Key

The Second Amendment vault is supplied with an emergency key to open it manually. You will need this key to open the vault so that the batteries may be replaced in the event the batteries die completely. Do not store your key inside of the vault. The key will allow you to manually open the vault without the combination or a good battery, so it's important that you store your keys in a secure location, but not inside the vault.

Entering the Wrong Personal Code

If the code has been entered incorrectly, the front buttons will flash four times and you will hear a series of audible beeps. If the wrong code is entered three consecutive times the safe will go into a penalty mode for five minutes. During this period the front buttons will flash blue and the electronic keypad will be temporarily disabled. The vault may still be opened using the emergency key override. After a five minute period the vault will automatically resume normal operation.

Interior Light

The vault is equipped with an LED interior light (8 on diagram). The light will automatically illuminate for 30 seconds when the door is opened using the electronic code. After 30 seconds the light will automatically turn off. To turn the light back on, re-enter the four digit code.

Turning off the Audible Sound

To silence the audible sound of the electronics, press the forth button(6 on diagram, button on the left) for more than three seconds.

Low Battery Warning

If the 4 AA batteries go below the required voltage, the buttons will flash blue and green alternately and you will hear five audible beeps after press the four digit codes. This indicating the batteries need to be changed.

Mounting Your Second Amendment Vault to Floor or Wall

The vault that you have purchased is designed to be permanently mounted to something sturdy (i.e. shelf, wall, floor etc.) for proper safety and security. The vault is not designed to be a portable carrying case. If the vault is dropped, it could possibly cause the mechanism to be damaged or trigger, causing the safe to open. The vault comes with pre-drilled holes and mounting hardware. It is recommended that the vault be secured with screws or bolts from the inside to prevent removal. If you have any questions concerning the mounting of the vault, please contact our customer service department at (866) 747-7233.

Key Replacement

Should the vault keys become lost or misplaced, you may order a replacement key by calling the service center at (866) 747-7233. Your key code number is printed on the face of the key lock; this number will be required for key replacement. It is advised that you record this number somewhere in case you lose your key. Replacement cost is \$10.00 per key plus S/H.

Warranty: Blue Dot Safes Inc. ("Blue Dot") warrants to the original purchaser that the product (s) shall be free of defects in material and workmanship for a period of one (1) year from the date of manufacture by Blue Dot. This warranty applies provided there is compliance with all installation/operating instructions supplied by Blue Dot and, provided further, that the product has been subject to normal use without any misuse, negligence, modification, or the occurrence of any accidental damage.