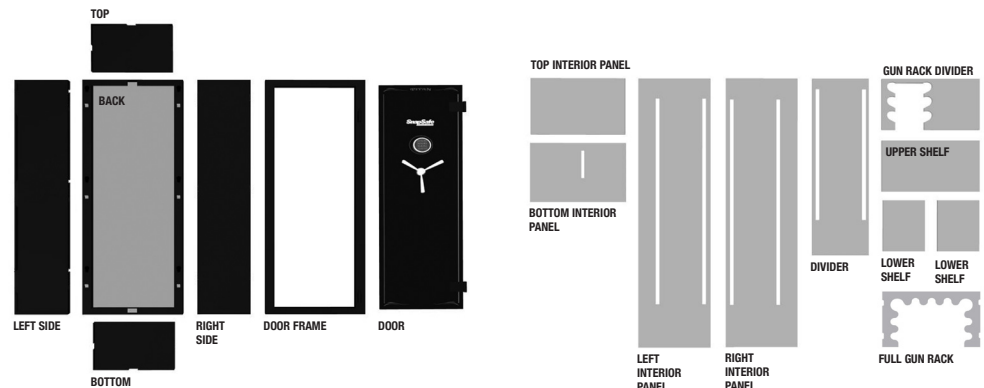
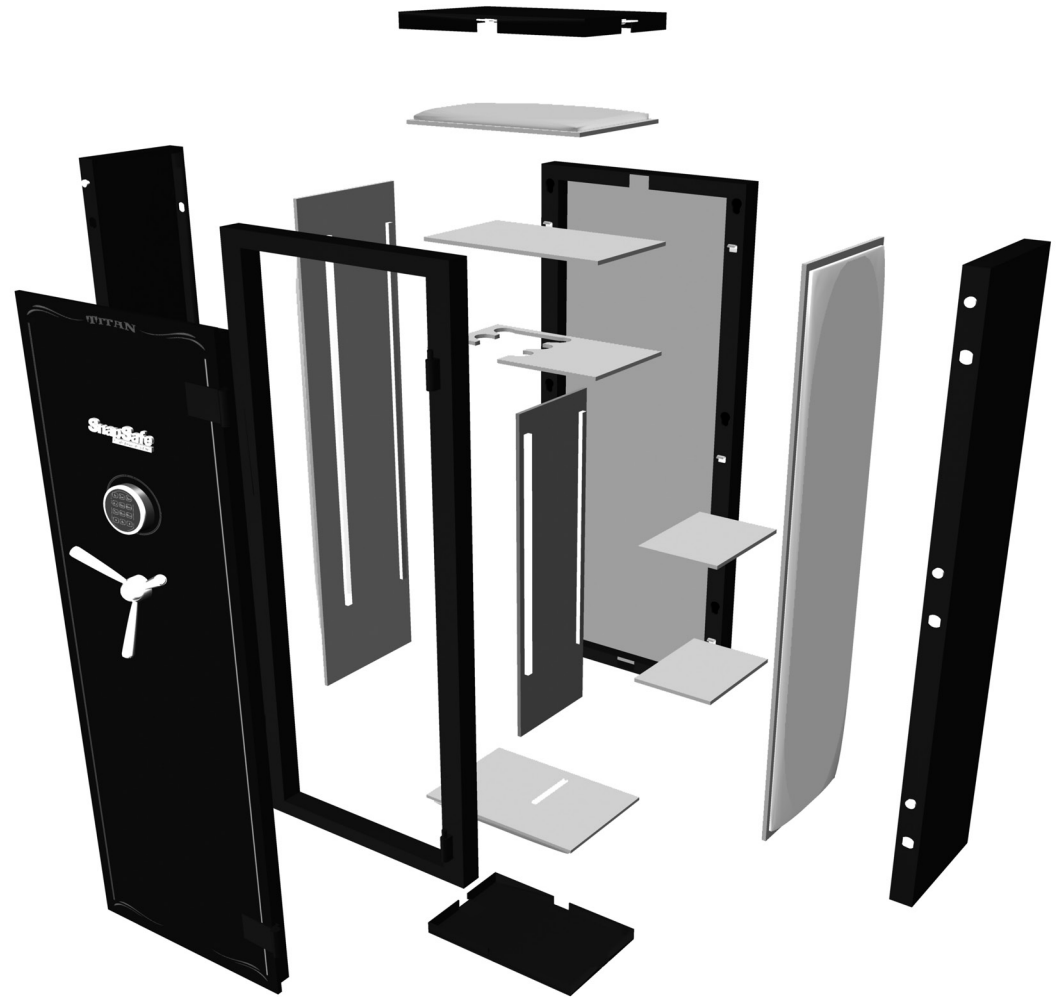


SnapSafe® Titan Assembly

1. Unpack and lay out all parts.
2. Thread Part #11 DOOR HANDLE SPOKES onto the hub on Part #12 DOOR.
3. Lift DOOR off Part #6 DOOR FRAME.
4. Lay Part #5 BACK face down and set off to the side. (make sure the interior back is hung and centered on this part)
5. Assemble each part as labeled and pictured.

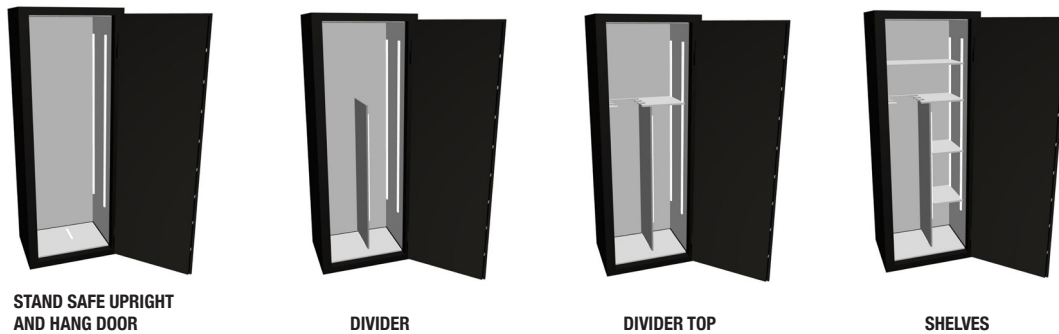
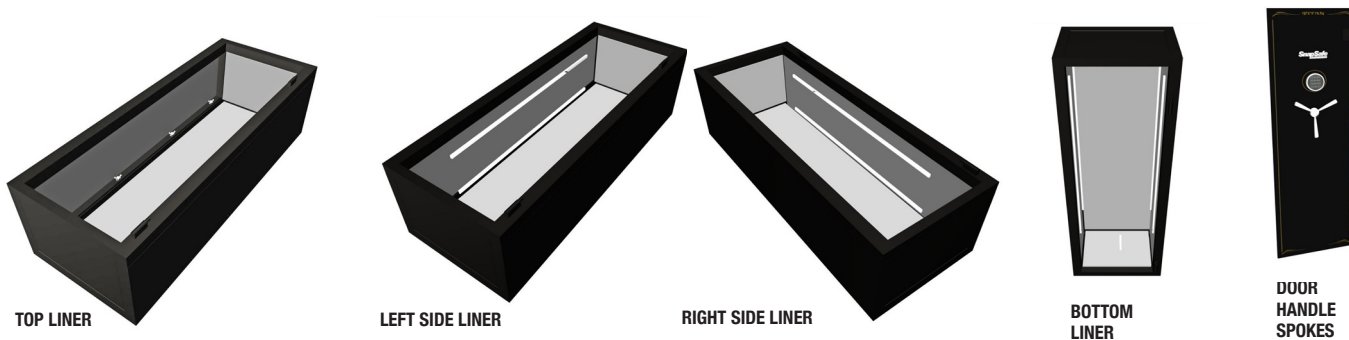
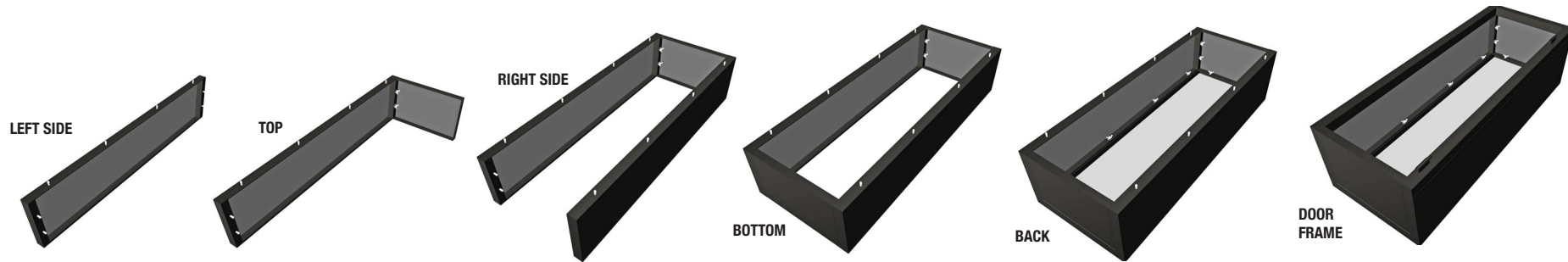
Notes:

- Each part is marked with an assembly number and instruction.
- Note each part's orientation. TOP, BOTTOM, FRONT, Etc. on each part matches its orientation when in position in the assembled vault. LEFT and RIGHT are as you face the front of the vault.
- Be careful not to mistake the dark grey blankets marked "Fire Shield" for packing material. They must be pressed into the inside of the exterior sidewalls, top and bottom of the vault during assembly,



SnapSafe®
CLOSET VAULTS

For all Customer Service questions call toll free: 1-877-214-4470
Visit us at www.snapsafe.com



SnapSafe[®]
CLOSET VAULTS

For all Customer Service questions call toll free: 1-877-214-4470
Visit us at www.snapsafe.com