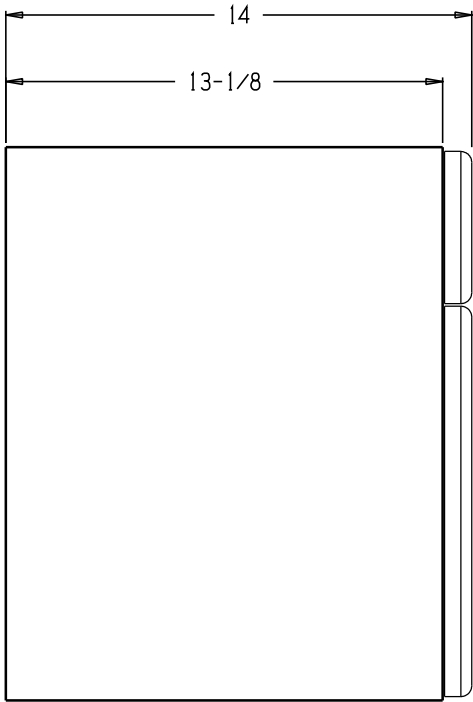
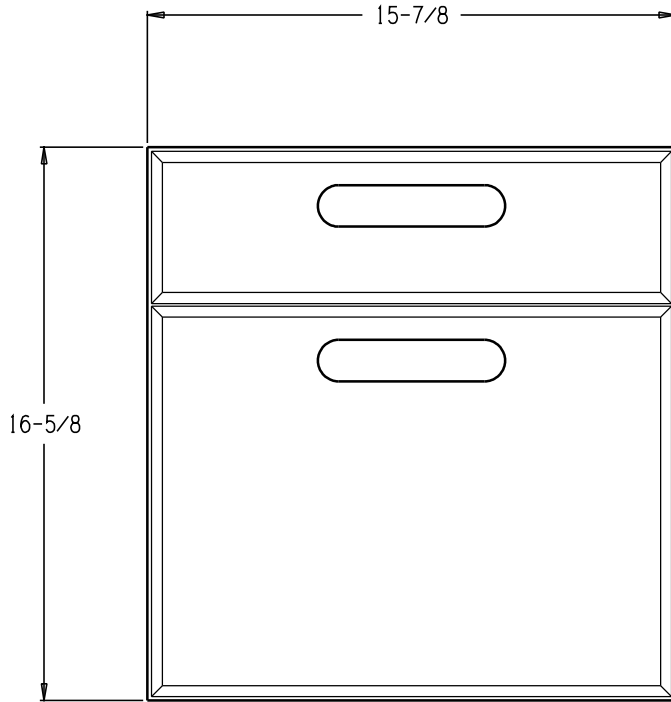


SK2007-261	1	D
------------	---	---

REVISIONS			
REV	DESCRIPTION	DATE	BY
A	ADDED DRAWER INTERIOR DIMENSIONS	20 JUN 07	R.F.T.
B	UPDATED DRAWER DIMENSIONS	30 AUG 07	R.F.T.
C	REDESIGNED	06 JUL 09	R.F.T.
D	REVISED TO AS RECEIVED	12 AUG 13	R.F.T.



SIDE VIEW



FRONT VIEW

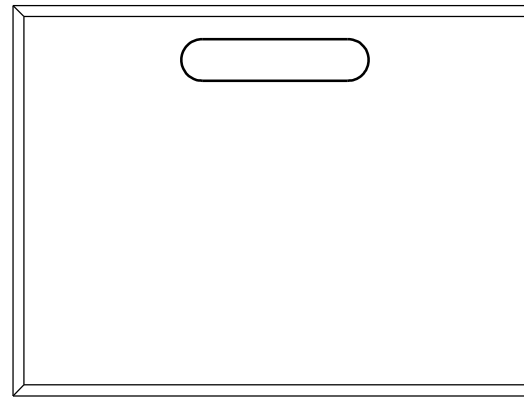
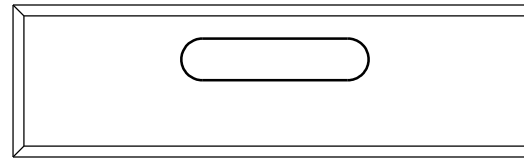
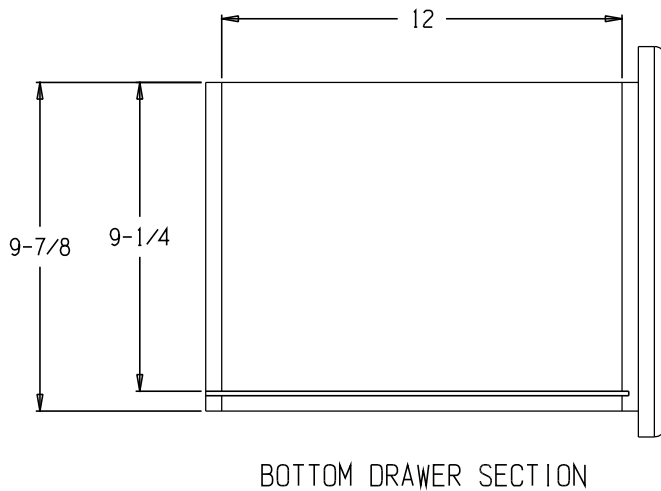
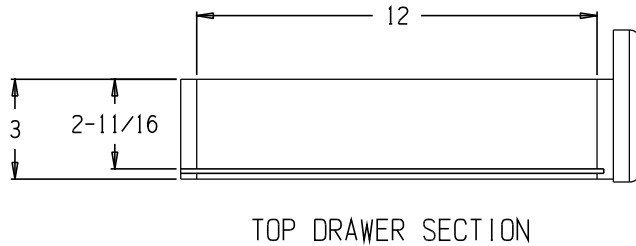
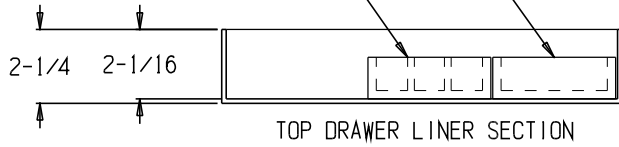
CUSTOMER SIGNATURE		<b>AMSEC</b> AMERICAN SECURITY PRODUCTS COMPANY		
CUSTOMER NAME				
DATE				
COMPANY NAME		Stor-It Cabinet, 2 Drawer		
<small>PROPRIETARY INFORMATION UNAUTHORIZED RELEASE WITHOUT EXPRESS WRITTEN PERMISSION OF AMERICAN SECURITY PRODUCTS CO EXPRESSLY PROHIBITED</small>	ML # 1335308	B □ #	SK2007-261	D
	DRAWN R. Tucker	16 MAY 07	SCALE 1/4	DO NOT SCALE DWG

REVISIONS

REV	DESCRIPTION	DATE	BY
A	ADDED DRAWER INTERIOR DIMENSIONS	20 JUN 07	R.F.T.
B	UPDATED DRAWER DIMENSIONS	30 AUG 07	R.F.T.
C	REDESIGNED	06 JUL 09	R.F.T.
D	REVISED TO AS RECEIVED	12 AUG 13	R.F.T.

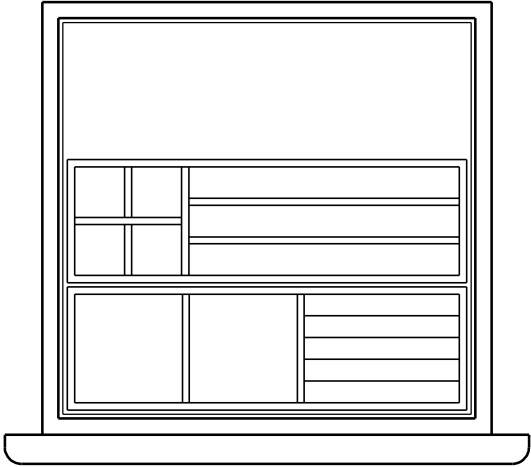
THREE-COMPARTMENT RING ORGANIZER  
P.N. 1375033

SEVEN-COMPARTMENT JEWELRY ORGANIZER  
P.N. 1375034

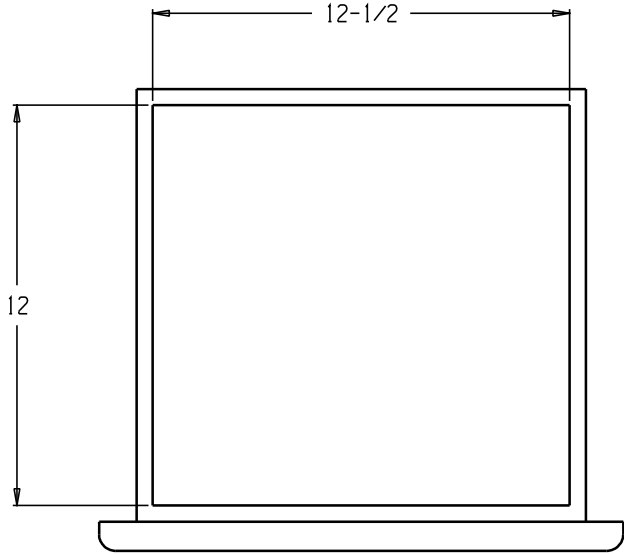


CUSTOMER SIGNATURE		<b>AMSEC</b> AMERICAN SECURITY PRODUCTS COMPANY	
CUSTOMER NAME		Stor-It Cabinet, 2 Drawer	
DATE			
COMPANY NAME			
PROPRIETARY INFORMATION UNAUTHORIZED RELEASE WITHOUT EXPRESS WRITTEN PERMISSION OF AMERICAN SECURITY PRODUCTS CO EXPRESSLY PROHIBITED	ML # 1335308	B □ #	SK2007-261 D
DRAWN R. Tucker	16 MAY 07	SCALE 1/4	DO NOT SCALE DWG SHEET 2 OF 4

REVISIONS			
REV	DESCRIPTION	DATE	BY
A	ADDED DRAWER INTERIOR DIMENSIONS	20 JUN 07	R.F.T.
B	UPDATED DRAWER DIMENSIONS	30 AUG 07	R.F.T.
C	REDESIGNED	06 JUL 09	R.F.T.
D	REVISED TO AS RECEIVED	12 AUG 13	R.F.T.



TOP DRAWER  
PLAN VIEW



BOTTOM DRAWER  
PLAN VIEW

CUSTOMER SIGNATURE		<b>AMSEC</b> AMERICAN SECURITY PRODUCTS COMPANY	
CUSTOMER NAME		Stor-It Cabinet, 2 Drawer	
DATE			
COMPANY NAME			
PROPRIETARY INFORMATION UNAUTHORIZED RELEASE WITHOUT EXPRESS WRITTEN PERMISSION OF AMERICAN SECURITY PRODUCTS CO EXPRESSLY PROHIBITED	ML # 1335308	B □ #	SK2007-261 D
DRAWN R. Tucker	16 MAY 07	SCALE 1/4	DO NOT SCALE DWG SHEET 3 OF 4

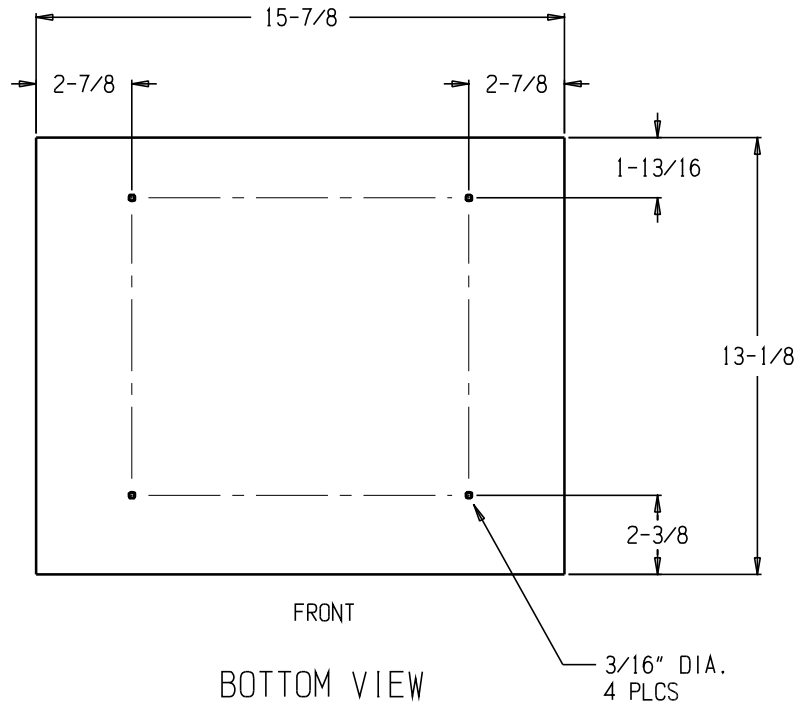
SK2007-261

F

D

## REVISIONS

REV	DESCRIPTION	DATE	BY
A	ADDED DRAWER INTERIOR DIMENSIONS	20 JUN 07	R.F.T.
B	UPDATED DRAWER DIMENSIONS	30 AUG 07	R.F.T.
C	REDESIGNED	06 JUL 09	R.F.T.
D	REVISED TO AS RECEIVED	12 AUG 13	R.F.T.



## SPECIFICATIONS

1. Storage Cabinet, 16-5/8 H x 15-7/8 W x 14 D, Outside, with:
  - a. One (1) Three-Compartment Ring Organizer.
  - b. One (1) Seven-Compartment Jewelry Organizer.
  - c. One (1) Un-Lined File Drawer.
2. Provided with Four (4) 3/16" Dia. Anchor Holes.
3. Approx. Weight: 28 lbs.

CUSTOMER SIGNATURE		<b>AMSEC</b> AMERICAN SECURITY PRODUCTS COMPANY		
CUSTOMER NAME				
DATE		Stor-It Cabinet, 2 Drawer		
COMPANY NAME				
PROPRIETARY INFORMATION UNAUTHORIZED RELEASE WITHOUT EXPRESS WRITTEN PERMISSION OF AMERICAN SECURITY PRODUCTS CO EXPRESSLY PROHIBITED	ML # 1335308	B Q #	SK2007-261	D
DRAWN R. Tucker	16 MAY 07	SCALE 1/4	DO NOT SCALE DWG	SHEET 4 OF 4