

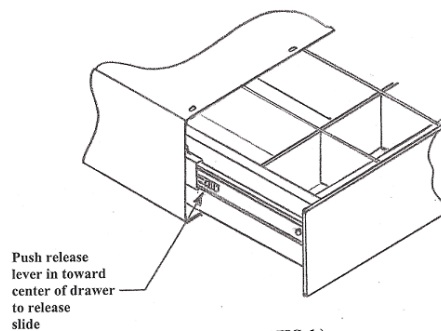


## - INSTALLATION GUIDE - "MSB" SERIES CASH DRAWER

### Instructions for attaching "MSB" series cash drawers under counter:

**Note:** Keys and all required mounting hardware are taped to the underside of the cash drawer.

First, remove the drawer from the case. It will be necessary to release the cash drawer from the drawer slides in order to remove the drawer from the case. The slides are released by pressing in on the black slide release lever found on each side of the drawer (see FIG. 1). While pressing in on the release levers on BOTH sides of the drawer, pull the drawer out from the case. It may be necessary to hold the case in place while pulling the drawer out of the case.



To reinstall the drawer, align the drawer slide channels with the case slide channels and SLOWLY push the drawer into the case. The drawer should insert freely into the case without excessive force. If excessive force is required to install the drawer, check the alignment of the case and drawer channels before proceeding.

Once the drawer is removed from the case, follow the instructions below for mounting the cash drawer under the counter.

1. When mounting the cash drawer case to the counter, please take into consideration that the unit must be mounted to a flat surface. If the case is not mounted to a flat surface, the case will be deformed and the drawer will not function properly.
2. Position the case under the counter in the desired location and mark the locations of the four (4) mounting holes (see FIG. 2).
3. Four clearance holes are located in the bottom cover of the cash drawer so that it is not necessary to remove the bottom cover of the cash drawer to gain access to the under-counter mounting holes.
4. Drill a small pilot hole in the countertop at each of the locations marked above, and attach the case under the counter using the screws provided. Make sure to use a screwdriver that is long enough to go through the bottom of the cash drawer and through the top of the cash drawer case. With the proper length screwdriver, it will not be necessary to remove the bottom cover for installing the mounting screws.
5. Make sure the screws are adequately tightened, but take care not to strip the screws.
6. Once the case is mounted under the counter, follow the directions above and reinstall the drawer into the case.

