

# SPORTS AFIELD®

*Established 1887*

## PORTABLE SECURITY VAULT | INSTRUCTION MANUAL



H O M E     D E F E N S E

### **IMPORTANT:**

Please read this information and follow all safety rules carefully before operating your vault. Failure to do so will void your warranty.

# TABLE OF CONTENTS

---

IMPORTANT INFORMATION .....	2
1 REGISTRATION .....	3
2 UNDERSTANDING YOUR VAULT .....	4
3 OPENING YOUR VAULT.....	5
4 SECURING YOUR VAULT .....	6
5 LOCKED OUT OF YOUR VAULT .....	7
6 KEEPING YOUR VAULT DRY .....	7
7 MAINTAINING HINGES AND INTERNAL MECHANISMS .....	8

## THIS MANUAL SERVICES THE FOLLOWING STYLE NUMBERS

---

SA-CV1  
SA-CV2-C  
SA-CV3-C

# DISCLAIMER - READ BEFORE VAULT SETUP

---

**PLEASE READ THIS INFORMATION CAREFULLY BEFORE OPERATING YOUR SPORTS AFIELD VAULT.**

**DO NOT LOCK THIS MANUAL OR THE OVERRIDE ACCESS KEYS IN YOUR VAULT.**

- Thank you for choosing a Sports Afield Vault to protect your valuables. We are committed to securing, organizing and protecting your most important documents, valuables and keepsakes.
- Your safe is built to last a lifetime. However, please understand that the locking mechanism has precision parts. If you experience ANY difficulty opening or closing your vault, DO NOT FORCE THE SAFE OPEN. Doing so may jam the components in the lock, which will require a safe technician to unlock your vault. This causes an inconvenience for you, and may lead to a claim denial.
- If you experience problems or challenges with your vault please contact us. Many issues can be quickly resolved without the product being returned.

**Customer Service - (888) 792-4264**

## SAFETY

---

- Keep a record of your combination number in a secure place, away from children, and separate from your vault. You will need this information along with your proof of purchase to obtain technical assistance and replacement keys.

## WEAPON STORAGE

---

- If you choose to utilize this vault to store a weapon always follow proper weapon and local laws when storing a weapon.
- SA Consumer Products strongly recommends that you do not store loaded guns.
- Always follow the firearm safety rules set out by the firearm's manufacturer.
- A gun safe or any other firearm storage device cannot take the place of other safety procedures including advising children of the dangers of firearms.
- SA Consumer Products and its distributors of the Sports Afield Safes and vaults do not recommend, suggest, advise, promote, or otherwise condone the ownership or use of firearms. We believe the decision to own or use a firearm is a serious decision that should only be made by an adult who has carefully considered the risks and benefits of such a decision.

# 1. REGISTRATION

---

Please ensure you register your vault by visiting our website. Locate the “contact’ button located on the top header on the home page. Select registration from the drop down menu.

**[www.saproducts.com](http://www.saproducts.com)**

By registering your Sports Afield vault we will be able to expedite and address any problems or challenges you may have which would otherwise require a notary letter and proof of payment.

## REGISTRATION INFORMATION

---

The information you record onto this page will be required in the event you cannot access the contents of your Sports Afield Vault. Please fill out all the required information below and retain for your records and safe keeping.

PLEASE HAVE THIS INFORMATION READY PRIOR TO CALLING FOR TECHNICAL ASSISTANCE AT:

**Customer Service - (888) 792-4264**

**PURCHASE DATE:**

---

**PURCHASE PRICE (BEFORE TAX):**

---

**MODEL NUMBER:**

---

**SERIAL NUMBER:**

---

**RETAILER PURCHASED AT:**

---

**KEY NUMBER (IF APPLICABLE):**

---

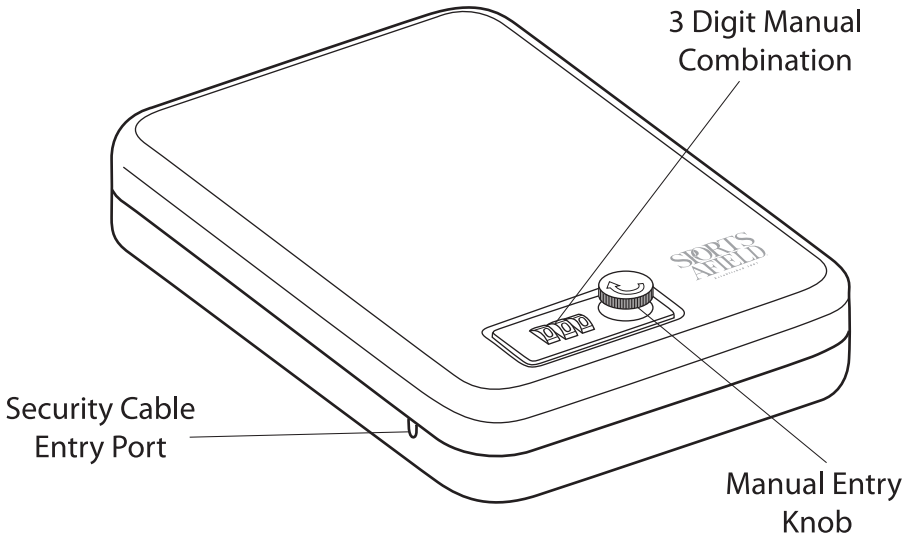
## 2. UNDERSTANDING YOUR VAULT

---

EXTERIOR (Closed)

SA-CV2-C

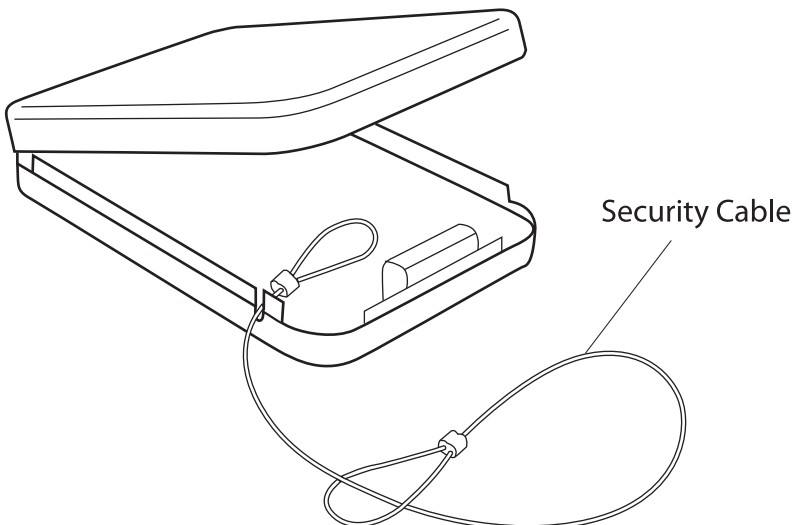
---



INTERIOR (Open)

SA-CV2-C

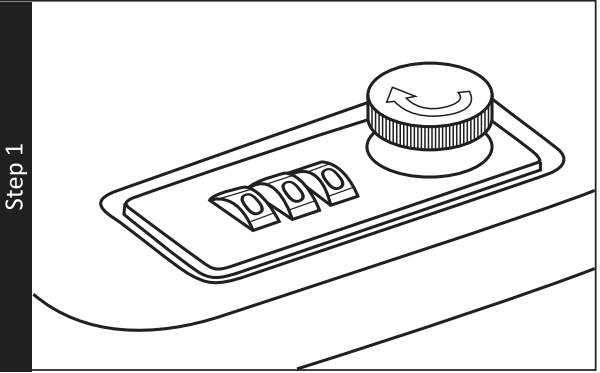
---



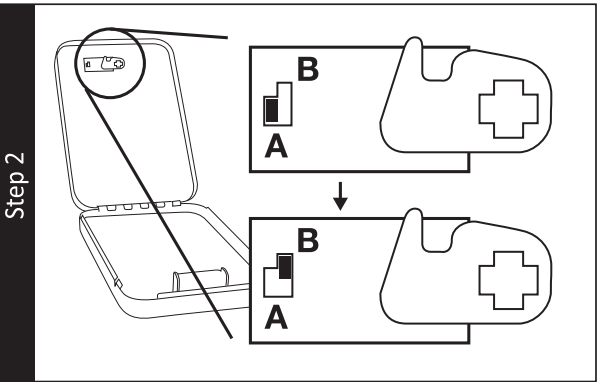
### 3. OPENING YOUR VAULT

**Important:** It is necessary to re-program your vault with a new security code you have personally selected to provide maximum household security.

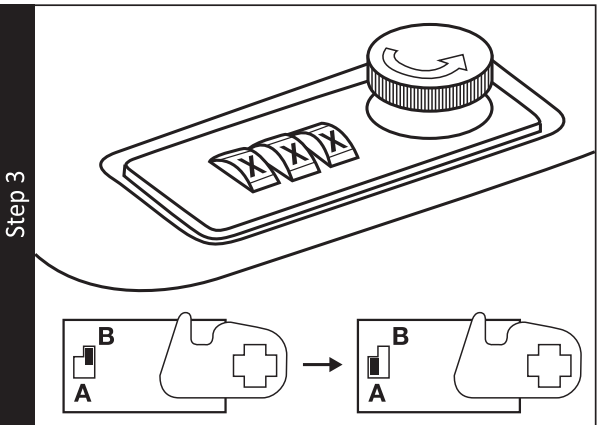
1. The first step to opening your vault is setting a new combination. First, set the combination to the factory pre-set code of 0-0-0 and turn the knob clockwise to open.



2. On the inside of the lock face, move the lever from the "A" to the "B" position. Your case is now ready to be programmed with a new, personal code.



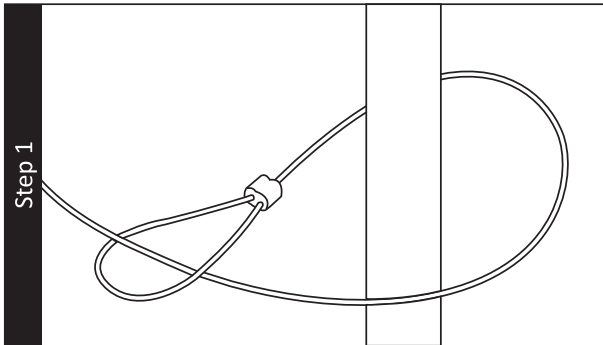
3. Set the combination to your new 3 digit combination. Once entered, while your vault is still open, turn the knob counter-clockwise to lock. Finally, return the lever on the inside of the lock face from "B" to "A". Your new combination is now set.



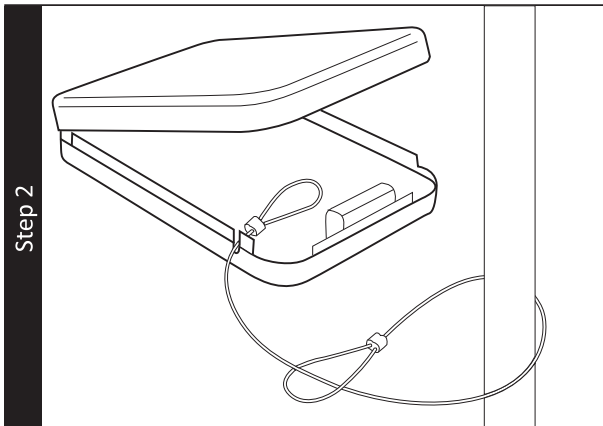
## 4. SECURING YOUR VAULT

**WARNING:** SA Consumer Products recommends that you store your safe in a closet, office, basement, bedroom, or any other location that is convenient for you but out of the direct line of sight from prying eyes.

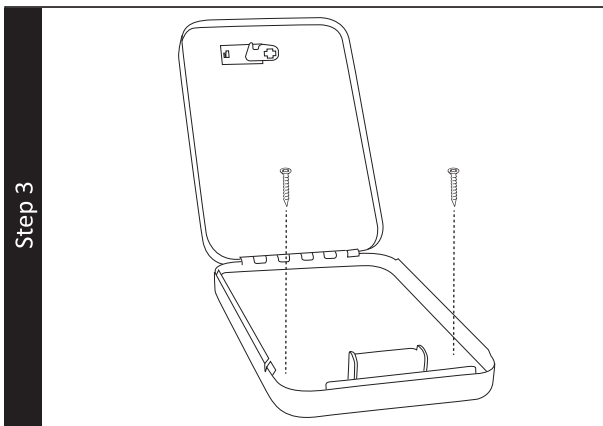
1. A security cable is included with your vault. To secure the cable around a fixed object, first loop the cable around the object. Next, thread one of the loops at the end of the cable through the second loop as shown in the figure to the right.



2. Place the cable's free loop into the notch on the side of the case while still opened. Locking the case with the cable loop inside will secure the cable inside the case. Check the loop to ensure there is no way it can be manipulated to be easily removed from the fixed object, locking it down.



3. Two mounting holes are also located on the bottom of your vault for permanent mounting. If you wish to mount, locate the provided mounting kit and install screws and anchors through the mounting holes for an extra layer of protection.



## 5. LOCKED OUT OF YOUR VAULT

---

In the event you have forgotten the security code your primary action will be to use your backup keys in order to gain access to your vault.

If you have lost your backup keys, you will need to contact customer service at the number below. Proof of purchase is required to obtain keys.

**Customer Service - (888) 792-4264**

## 6. KEEPING YOUR VAULT DRY

---

We recommend placing a moisture/protective barrier between your vault and concrete floor to prevent any moisture, mildew and rust damage the vault. Installing your vault in a place with climate control (heat in the winter and cooling in the summer) is highly recommended. In areas of high humidity or frequent temperature fluctuations (garages) it is recommend to take appropriate precautions to ward against moisture damage. We strongly encourage the use an internal dehumidifier and/or desiccants to protect your contents from rust or mildew. Internal dehumidifiers should not be in direct contact with the side or back walls.

## 7. MAINTAINING HINGES AND INTERNAL MECHANISMS

---

The hinges and internal locking mechanism are permanently lubricated, thus needing no maintenance.



# THREE YEAR WARRANTY

SA Consumer Products, Inc. will repair or replace, at their sole discretion, any Sports Afield Gun Safe damaged by fire, forced entry, forced attack or natural flood for the lifetime of the original owner.

SA Consumer Products, Inc. will repair or replace, at their sole discretion, any Sports Afield Gun Safe with defective parts, paint or lock for three years of the original owner purchase date.

If SA Consumer Products, Inc. deems a replacement safe is to be sent, they will pay the freight costs to ship the replacement safe to the original owner.

This three year warranty is limited to the safe and expressly excludes any loss associated with the contents of the safe.

SA Consumer Products, Inc. reserves the right to receive full evidence of your misfortune, such as a police report and/or homeowner's statement of coverage. This warranty is not valid outside of the United States and Canada.

Proof of registration and copy of sales receipt must be on file at the time of claim. Visit our website at [www.sportsafieldsafes.com](http://www.sportsafieldsafes.com) to register your safe.

Three year warranty only applies to the original owner of the safe.

SA Consumer Products, Inc. shall only be responsible and liable when the safe is used in compliance with the directions specified in your new Sports Afield Safe Owner's Manual.

SA Consumer Products, Inc. requires that specific guidelines be followed for repair. The safe will be repaired in-home if possible (to include parts and labor); however, if factory replacement is necessary (at SA Consumer Products, Inc.'s sole discretion), the replacement will be shipped freight prepaid, curbside delivery.

This warranty is inclusive and is in lieu of any and all other warranties, express or implied. Specifically excluded are the warranties of merchantability and fitness for a particular purpose. This warranty is limited to the safe itself and/or its value and does not include consequential damages of any kind including, but not limited to, the contents in and of the safe.