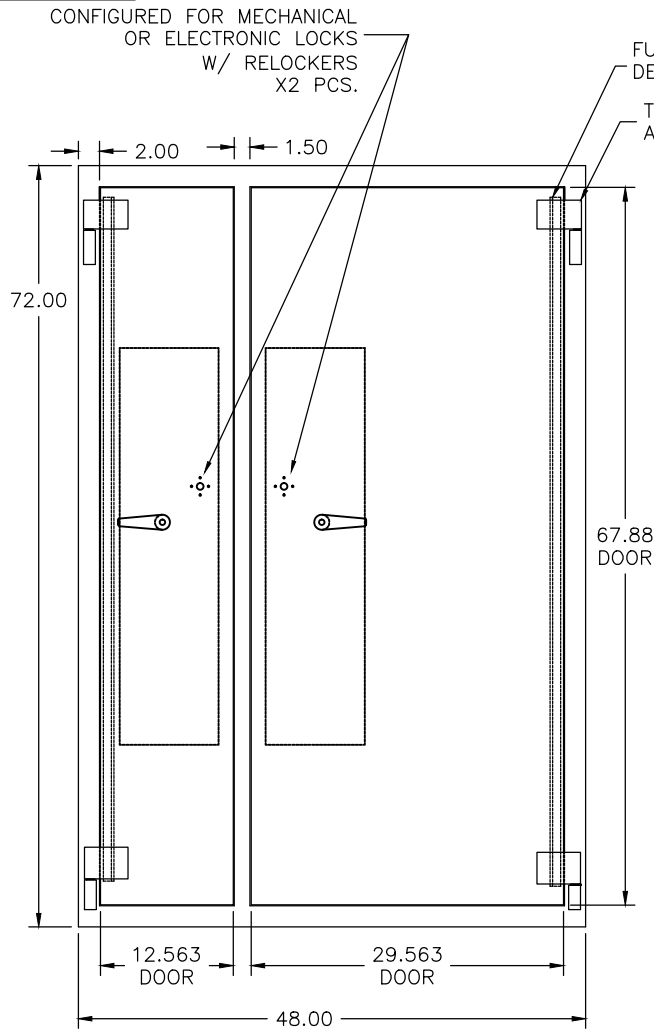


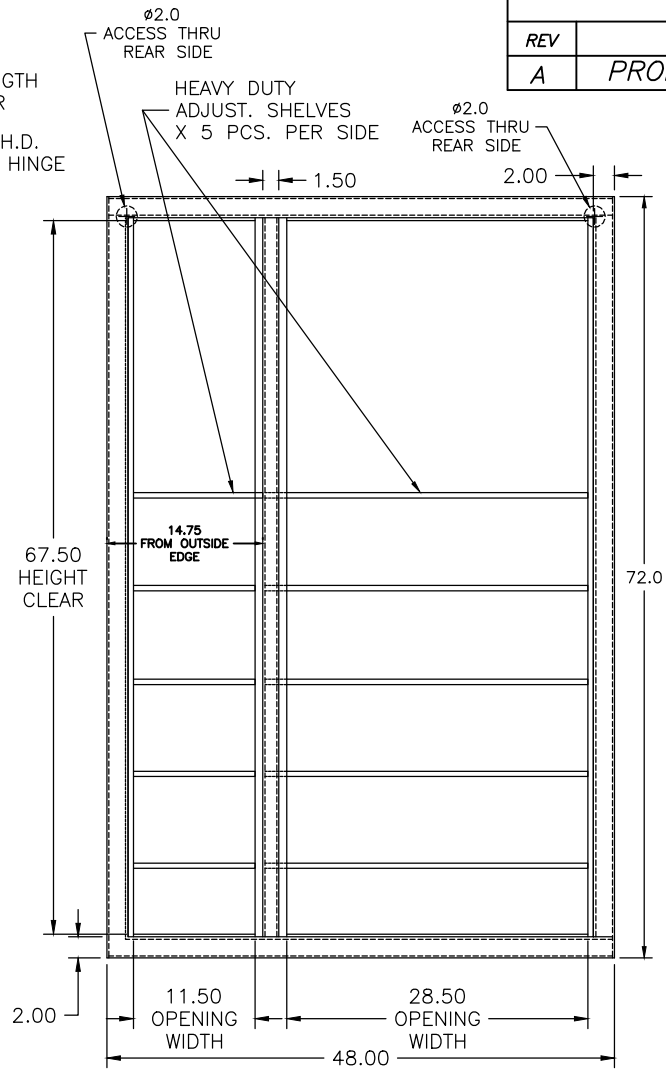
P101419-01

REVISION NOTICE

REV	NOTICE	BY	DATE
A	PROPOSAL	CHS	10/14/19

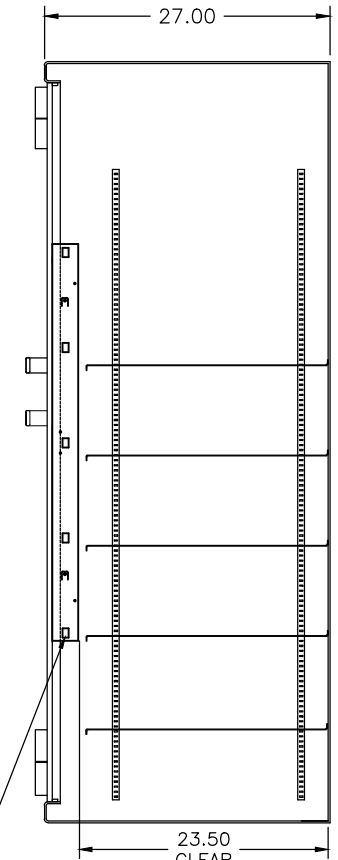


FRONT VIEW



FRONT VIEW

(DOORS OMITTED FOR CLARITY)



SIDE VIEW

NOTES: (UNLESS OTHERWISE SPECIFIED)

1. OUTSIDE DIMENSIONS: 72" x 48" x 27"  
INSIDE DIMENSIONS (LEFT): 71.625" X 14.563" X 23"  
(RIGHT): 71.625" X 32.875" X 23"
2. RSC CONSTRUCTION: 3/16" BODY ; 1/2" DOORS.
3. LOCKS: BOTH DOORS CONFIGURED FOR MECHANICAL OR ELECTRONIC LOCKS W/ HARD PLATES & RE-LOCKERS
4. 4 x Ø5/8" ANCHOR BOLT HOLES THRU BOTTOM PLATE.
5. B.D.S. 24/7 CUSTOMER SERVICE TAGS & LOGOS.
6. APPROX. WEIGHT: 1500 LBS.

CUST. APPROVAL:

DATE:

DRAWING MUST BE SIGNED & APPROVED IN ORDER TO BEGIN PRODUCT CONSTRUCTION. UPON APPROVAL, PLEASE SIGN, DATE, & FAX TO (909) 445-8200.

ALL DIMENSIONS IN INCHES. THIRD ANGLE PROJECTION		TOLERANCES (EXCEPT WHERE NOTED) LINEAR : X ±.020 .XX ±.010 XXX ±.005 ANGULAR : ± 1/2" BREAK ALL SHARP EDGES		TITLE <b>PROPOSAL</b> B-RATE 72" X 48" X 27" DOUBLE DOOR 30-70	
DRAWN <b>C. SMITH</b>	CHECKED	APPROVED	REV A	DATE 10/14/19	SCALE NONE
COLOR: <b>BLACK</b>			SHEET 1 OF 1	DWG NO. P101419-01	