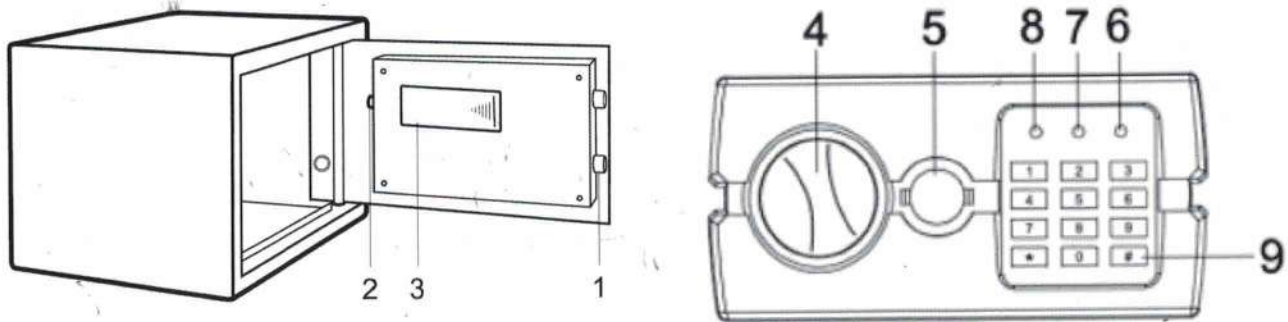


E-DC Series Instruction Manual



1. Bolts
2. Reset Button
3. Battery Compartment
4. Knob (Master Key)
5. Emergency Lock Cover
6. Green Light
7. Red Light
8. Yellow Light
9. Confirming button

➤ Dear valued customer:

Thank you for choosing our products! You have taken an important step in organizing and protecting your most valued possessions. Every series of our safes is professionally made and designed to provide safety. Please take time to read and familiarize yourself with the proper operating procedures of your new safe presented on the following pages.

➤ Initial Use

- ① Find the emergency keys in the accessories' bag;
- ② Remove the emergency lock cover;
- ③ Insert the emergency key, press gently and turn it anticlockwise, clockwise turn the knob(master key) at the same time to open the door;

CAUTION: Finish operation, pull out the emergency key and keep it in a safe place.

➤ Insert the batteries

- ① With the door open, insert 4×1.5V batteries into the battery box;
- ② If both red and green lights are on at the same time, it means the voltage is low and you should replace batteries.

CAUTION: Replace 4 fresh batteries by lining them up in a manner as indicated by the "+" and "-" signs..

➤ Open the door

- ① Input your user code or master code(both are 3 to 8 digits) , each pressing results one buzzer beep ;
- ② Press confirming button, the green light will be on;
- ③ Rotate the knob (master key) clockwise and pull outwards within 5 seconds, the door will be open;

CAUTION: The preset user code "159". There is no preset master code.

Please input the user code again if the yellow light flashes with three buzzer beeps.

➤ Close the door

Turn the knob(master key) anticlockwise to close the door.

➤ Lockout

- ① Three continuously wrong entries will activate the warning beep for 20 seconds;
- ② Another three continuously wrong entries will activate the warning beep for 5 minutes.

CAUTION: The keypad would be invalid during the beeping. You can only stop the beeps by opening the safe with emergency key and power-cut by removing the battery.

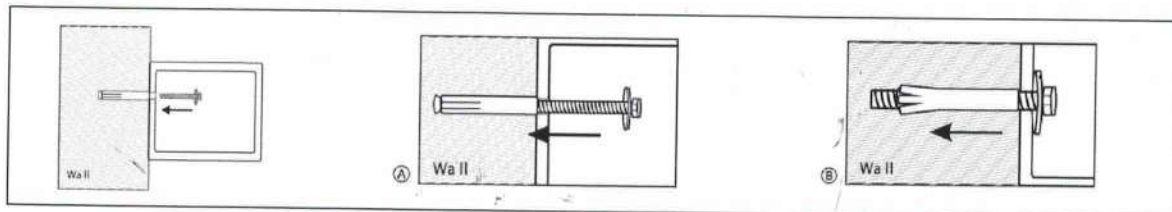
➤ Set the user code

- ① With the door unlocked, press the reset button, start setting code when the yellow light is on;
- ② Input new user code(3 to 8 digits) and then press confirming button, the yellow light will be off;
- ③ If the yellow light flashes with 3 buzzer beeps, it means the setting is invalid, and you need to try again.

➤ Set the master code

- ① With the door unlocked, input "00" and press reset button, start setting code when the yellow light is on;
- ② Input new master code(3 to 8 digits) and then press confirming button, the yellow light will be off;
- ③ If the yellow light flashes with 3 buzzer beeps, it means the setting is invalid, and you need to try again.

➤ Mounting



- ① Drill holes for expansion bolts(or clamping screws) in the right place;
- ② Use the expansion bolts(or clamping screws) to secure the safe to the wall or on the floor;
- ③ Make sure the safe is mounted in place as required and then tighten all bolts(screws).

CAUTION: Use the expansion bolt when there is a concrete wall surface.
Use the clamping screw when there is a wooden wall surface.