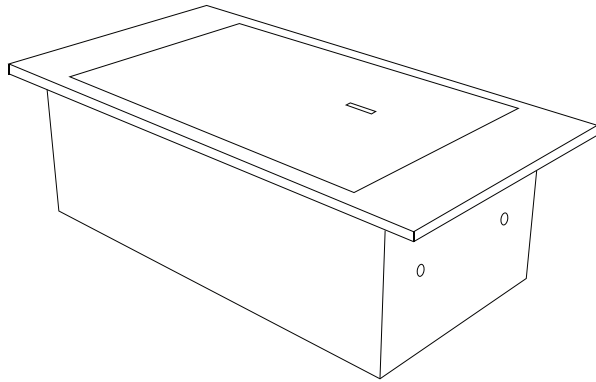




User's Manual for 0.22 Cubic Ft Key Underground Safe



Getting Started

Do not place keys inside of safe.

Although it is possible to install most floor safe yourself, we recommend a qualified safe installer or contractor do the work.

Please note that the ability of a safe to deter theft is a function of the time burglar has to work on the safe all as the tools used. Generally, burglars seek quick and easy targets for theft and your safe will present formidable challenge. Therefore installing your safe in a concrete floor offers the maximum degree of burglary protection.

Because of installation variables due to home or office construction/design, there is no one correct method to install your safe. How you install your safe is just as important as the decision to purchase your safe and the installation instructions below will help guide you through this process.

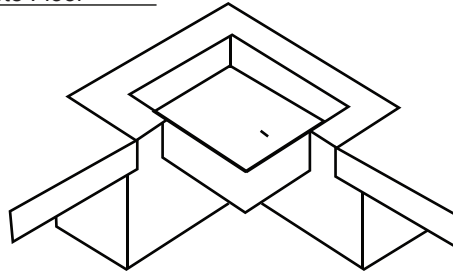
Make sure there are no underground electrical, plumbing, heating telephone or other wires present in the location where the safe is to be installed.

If the safe is to be located in an area where moisture may exist, the external application of tar or heavy gauge plastic wrap should be used to cover the outside body of the safe. The procedure is recommended regardless of conditions. This is NOT a waterproof or fireproof safe.

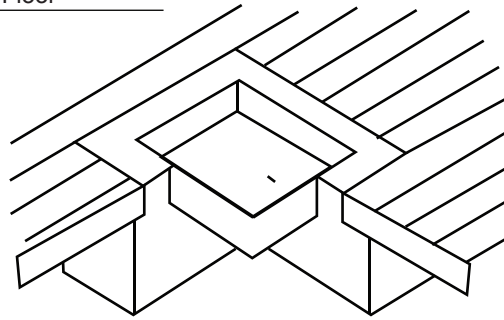
Follow these steps before installing your safe.

- Before installation the safe should have a dust cover and sealed with masking tape to prevent debris from entering the safe during installation.
- 48 hours of cement drying time is recommended prior to use.

Concrete Floor



Wood Floor



Existing Concrete Floor Installation

Measure the outside dimension of the safe body and add 4 inches to ensure enough room for installation of concrete around the body of safe. Layout and score the area for installation. Use an electric jack hammer to break throughout the existing concrete to the desired size. After the concrete is removed, dig out the hole to accommodate the safe, make the hole at least 3 inches deeper than the safe size. Pour enough concrete in the bottom of the hole to form a firm base for the safe to set on level. Insert the safe on top of the coverer base. Finish filling the hole with cement and add any reinforcement necessary to maintain position. Finish off concrete level with the floor. Make sure the top of safe is key level with the floor. Drill in 4 mounting screws provided into the mounting holes in the safe.

Wood Floor Installation

Build a retaining form of wood or mesh wire basket lined with roofing paper and attach to the floor joists, between the floor and ground. Cut a hole in the floor and set the safe using the same directions as noted above for concrete floor installation. Reinforce joists as necessary to compensate for weight. If a wood form is used, remove wood after cement is sent to prevent pests from traveling to your structure

New Concrete Floor

Dig ground to provide a form as in concrete floor installation noted above. Put safe into position in live concrete and adjust to proper level, etc. prior to finishing of floor. It is better and recommended to "block out" a hole for the safe, leaving 4 inches of room on each side to be installed. Install the safe after the walls and roof are up to eliminate climate damage.

Open / Close Safe Door

Open Door

Put key into key hole and turn clockwise; carefully pull up on the key to open the door.

Warning: Be careful when safe door is open, Safe door may fall shut when operating.

Close Door

Carefully put the door back down to closed position and turn key counter clockwise to lock safe.



1 YEAR LIMITED WARRANTY

Safe

BARSKA warrants this new safe to be free of original defects in material and/or workmanship under normal use for a period of twelve (12) months from the date product is received by purchaser. This warranty does not include damage caused by improper installation or maintenance. Damage from misuse, abuse, accident (such as dropping), normal wear and tear, fire, flood, or acts of nature. Damage from service or repairs other than those performed by BARSKA. Labor, cost and shipping charges for the removal and replacement of defective parts beyond the initial twelve-month warranty period. All transportation and shipping charges. Removing or altering the seal under any circumstances will automatically void the warranty.

This warranty is limited to original purchaser and is not transferable. This warranty applies only to products purchased in the United States.

Please email info@barska.com or call 1.888.666.6769 for Return Merchandise Number (RMA#) before any returns. The RMA number must appear on the outside of the shipping package. Product must be packed carefully and sturdily in its original packaging to prevent damage in transit and returned freight pre-paid to:

BARSKA OPTICS
Repair Department
855 Towne Center Drive
Pomona, CA 91767

Please include all of the following when returning BARSKA products for service and/or replacement:

1. Please write your complete details (Name, Address, Telephone #, E-mail address, RMA#, etc.)
2. Purchase receipt or Proof of Purchase. (Original/Copy)
3. A brief explanation of the defect.
4. A Check/Money Order of \$30.00 to cover inspection, shipping and handling.

*Please allow 6-8 weeks for delivery.

BARSKA will examine and test returned product and repair or replace defective part(s) or units with new part(s) or a new unit if necessary within the warranty period. Purchaser is required to remit \$30.00 to BARSKA for return shipping and handling at time product is returned. If repair is required after warranty period expiration, purchaser will be charged for replacement parts and return shipping.

BARSKA® Optics shall not be liable for any consequential, incidental and/or contingent damages whatsoever. We will not pay shipping, insurance or transportation charges from you to us, or any import fees, duties and or taxes. This warranty supersedes all previous BARSKA® Optics warranties.