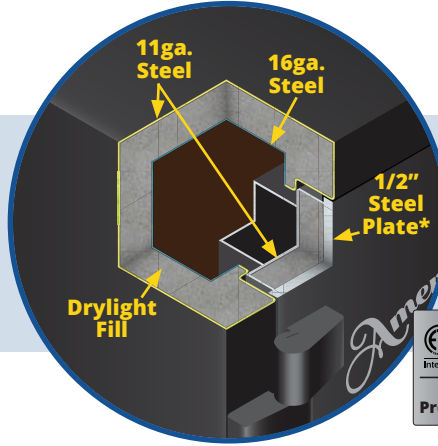


All illustrations depict the view circled.

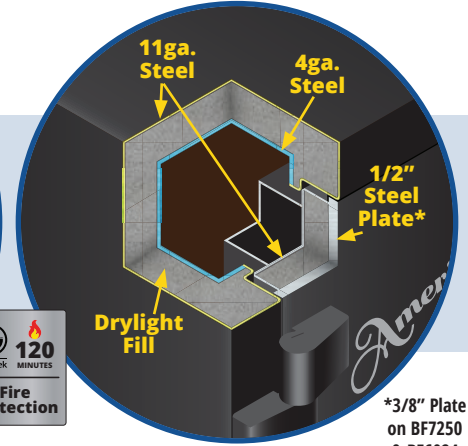
BF Series

Models: BF7250, BF7240, BF6636, BF6030, BF6032, BF6024
 U.L. Listed Group II lock • Plush Tan Pin-Dot Interior • 11 - 1.5" Dia Bolts
 Choice of 7 High Gloss, 4 Textured & 2 Two-Tone Finishes

Standard BF®



BF® w/4ga inner liner

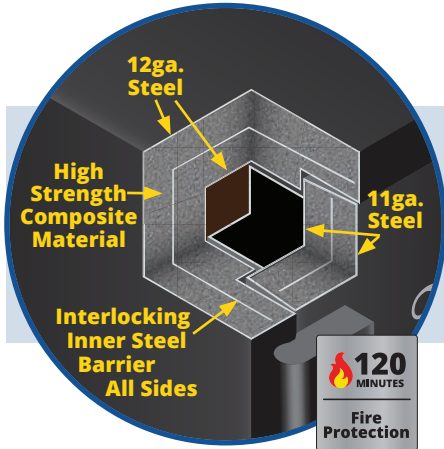


*3/8" Plate on BF7250 & BF6024



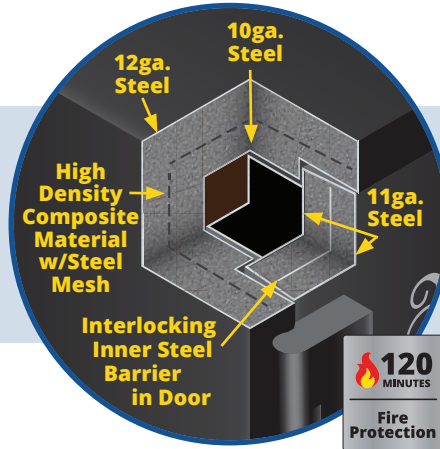
RFX Series

Models: RFX703620, RFX582820
 U.L. Listed TL-30x6 Group 2M lock • Plush Tan Pin-Dot Interior • 10 - 1.5" Dia Bolts
 Choice of 7 High Gloss and 4 Textured Finishes



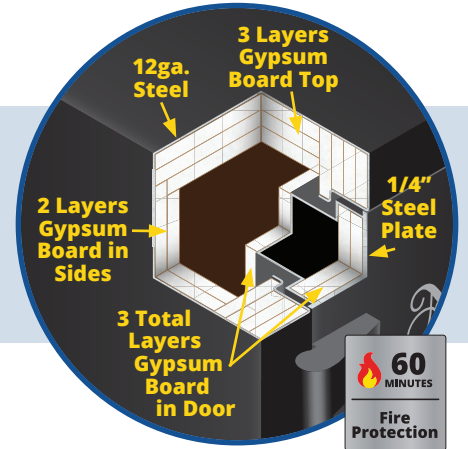
RF6528

U.L. Listed TL-30 Burglary & Fire Safe
 Plush Tan Pin-Dot Interior • 10 - 1.5" Dia Bolts
 Choice of 7 High Gloss and 4 Textured Finishes



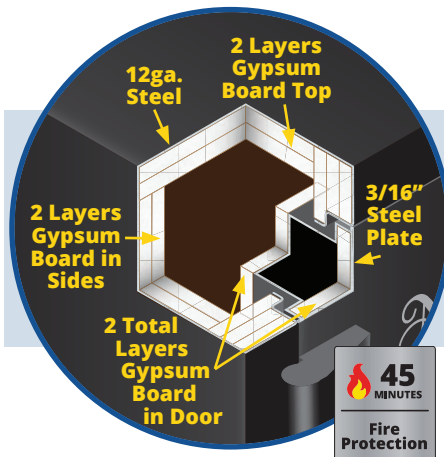
SF Series

Models: SF6036, SF6030, SF6032, SF5924
 Group II lock • All-Velour Interior • 14 - 1.5" Dia Bolts
 Choice of 7 High Gloss, 4 Textured & 2 Two-Tone Finishes



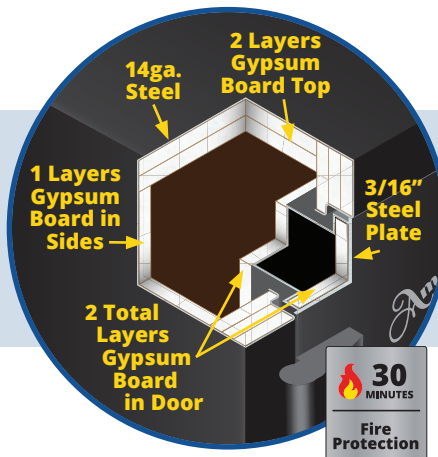
FV Series

Models: FV7240E5, FV6036E5, FV6030E5, FV6032E5ESL5
 Electronic lock • 14 - 1.25" Dia Bolts
 Textured Black Finish • All-Velour Interior



TF Series

Models: TF5924E5, TF5517E5 • ESL5 Electronic Lock Standard
 14 - 1.25" Dia Bolts on TF5924E5 • 8 - 1" Dia Bolts on TF5517E5
 Textured Black Finish • All-Velour Interior



For more information, please visit our website at:

www.amsecusa.com