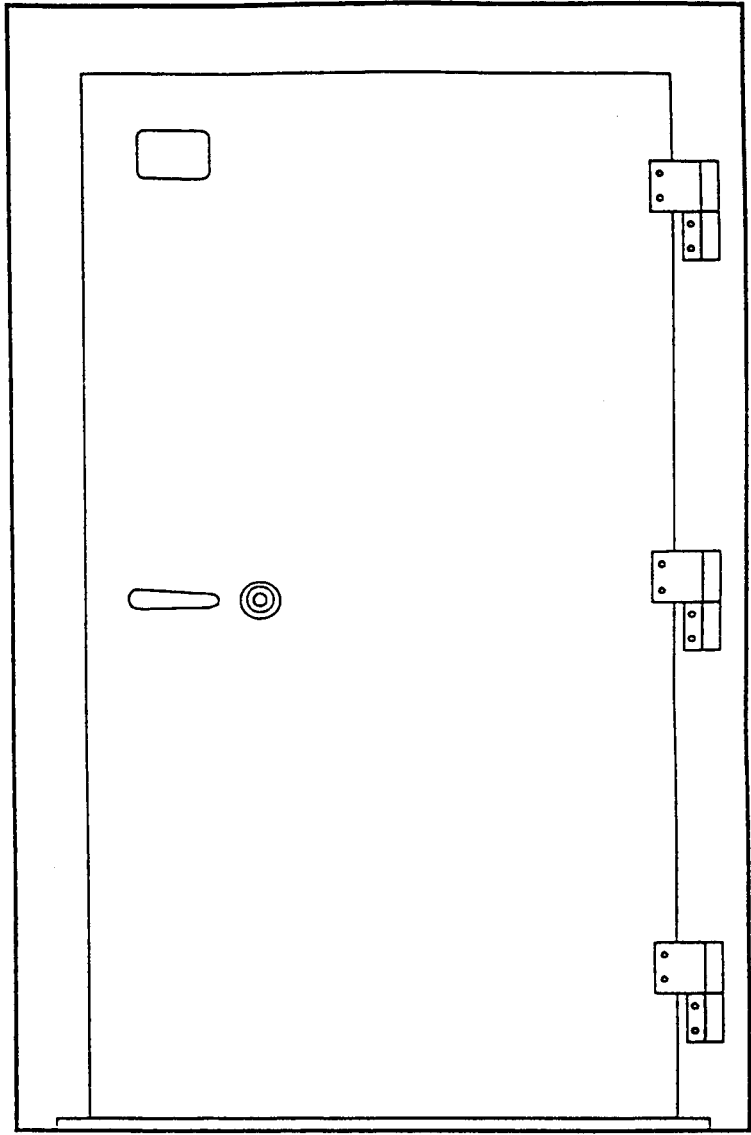


HAMILTON

GSA APPROVED CLASS 5 SECURITY VAULT DOORS

GENERAL SERVICES
ADMINISTRATION
APPROVED
SECURITY VAULT DOOR
HAMILTON
PRODUCTS GROUP, INC.



Class 5 Protection

These are US Government Class 5 Vault Doors, which have been tested and approved by the Government under Federal Specification AA-D-600

The Class 5-V Vault Door provides the following security protection:
20 man-hours against surreptitious entry
30 man-minutes against cover entry
10 man-minutes against force entry.

The Class 5-A Armory Door provides the following security protection:
30 man-minutes against covert entry
10 man-minutes against forced entry.

New Lock Specifications:

Federal Specification AA-D-600 requires that combination locks used on GSA Approved security Vault Doors must meet the following requirements:

Class 5-V Vault Doors must have locks meeting Federal Specification FF-L-2740.
Class 5-A Armory Doors must have locks meeting Underwriters Laboratory Specification UL 768, Group 1

Look for the Red Label

Hamilton Products Group, Inc

1-800-876-6066

HAMILTON

Class 5 Security Vault Doors

The Class 5 Security Vault Door is utilized to store government classified material in addition to weapons, narcotics, cash, evidence and valuable.

NATIONAL STOCK NUMBER	DESCRIPTION	NET WEIGHT	SHIPPING WEIGHT
7110-00-935-1886-V Type IIR, Style K	Right Swing (Without Optical Device)	1350 lbs.	1500 lbs.
7110-00-935-1883-V Type IIL, Style K	Left Swing (Without Optical Device)	1350 lbs.	1500 lbs.
7110-00-935-1885-V Type IR, Style K	Right Swing (With Optical Device)	1350 lbs.	1500 lbs.
7110-00-935-1882-V Type IL, Style K	Left Swing (With Optical Device)	1350 lbs.	1500 lbs.

Class 5 Armory Vault Doors

The Armory Vault Door is utilized when storing non-classified material such as weapons, narcotics, cash, evidence and other valuables. It is not authorized for the storage of classified information.

NATIONAL STOCK NUMBER	DESCRIPTION	NET WEIGHT	SHIPPING WEIGHT
7110-00-935-1886-A Type IIR, Style K	Right Swing (Without Optical Device)	1350 lbs.	1500 lbs.
7110-00-935-1883-A Type IIL, Style K	Left Swing (Without Optical Device)	1350 lbs.	1500 lbs.
7110-00-935-1885-A Type IR, Style K	Right Swing (With Optical Device)	1350 lbs.	1500 lbs.
7110-00-935-1882-A Type IL, Style K	Left Swing (With Optical Device)	1350 lbs.	1500 lbs.

- All Vault Doors are of the outswing design and are provided with a gray textured finish.
- All Vault Doors Interiors are equipped with an Emergency Release Device which will allow anyone accidentally locked inside the vault to unlock the door and exit.
- The optical devices referred to above is also known as a "peep sight". It is a wide angle tubular optical device that provides a greatly enlarged field of view. It is installed approximately 60" above the vault floor in the middle of the door. Customer is to specify whether the device is to view from inside to the outside or from the outside to the inside of the vault.

Look for the Red Label

Hamilton Products Group, Inc

1-800-876-6066

HAMILTON

Vault Door Flanges*

SPECIFY WALL THICKNESS	SHIPPING WEIGHT **
Flanges 6" - 8"	150 lbs.
Flanges 8" - 10"	175 lbs.
Flanges 10" - 12"	200 lbs.
Flanges over 12" (custom ordered)	Varies according to size

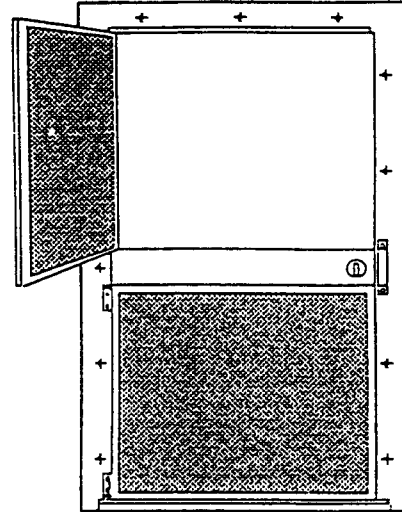
* Specify the finished thickness of the masonry opening where the vault door is to be placed, so the proper flange can be provided.

** Flanges are normally shipped with the vault door and comprise part of the door's shipping weight. Weights shown here are when flanges are shipped separately.

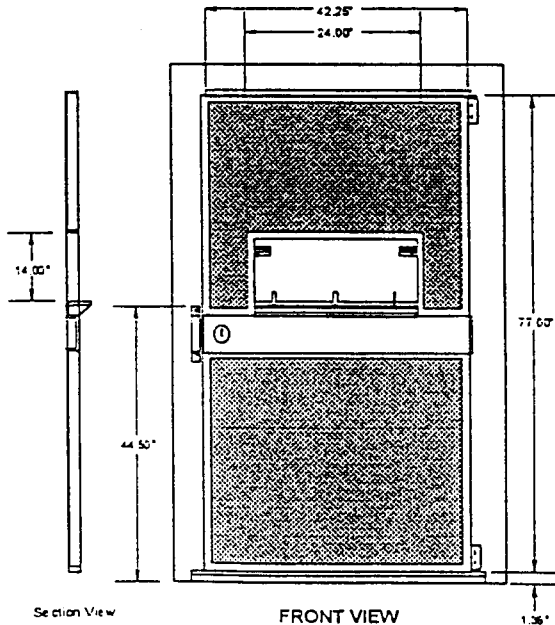
Daygates for Class 5 Vault Doors

The Daygates designed for use with our Class 5 Security Vault Door swings into the vault and normally is hinged on the same side as the vault door. Our Daygate is constructed of expanded metal that is enforced by a heavy steel frame.

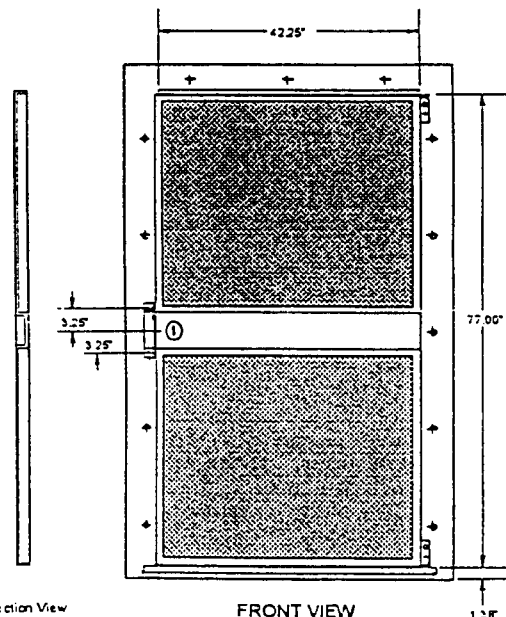
The Daygate has a gray painted texture finish. The full height Daygate with keylock outside and bolt release inside provides for restricted access during those hours that the vault is normally opened. Our standard Daygate can be provided with a pass-through. A dutch door Daygate is available and this Daygate can also be provided with a pass-through. Call for more optional pricing.



DUTCH DOOR FRONT



FRONT VIEW



FRONT VIEW

WARRANTY

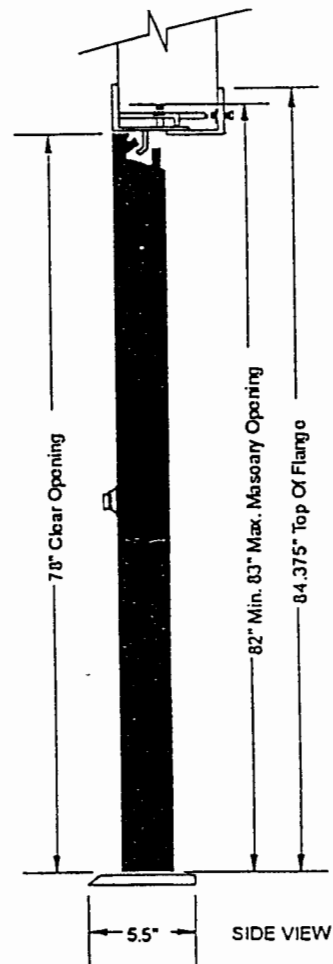
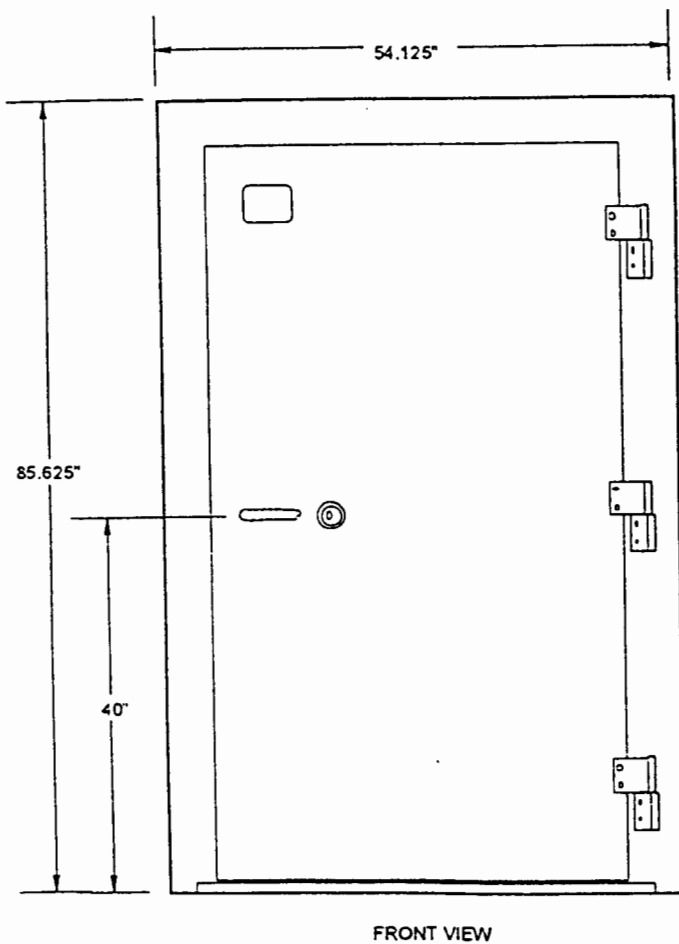
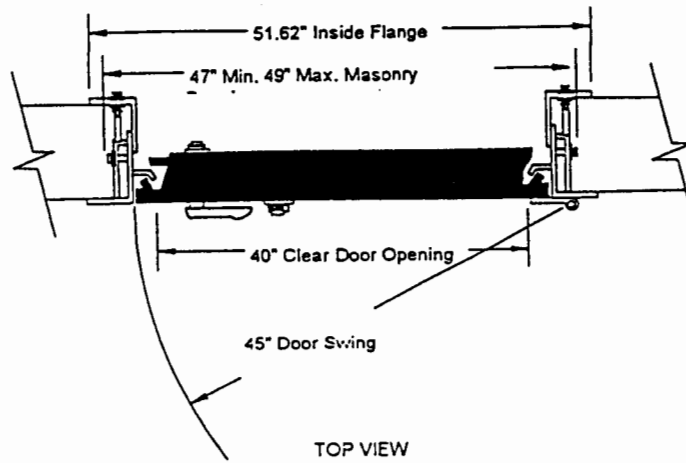
All Hamilton Class 5 Security Vault Doors are warranted for (1) year from the date of delivery to be free from malfunction and/or manufacturing defects. This warranty DOES NOT cover malfunctions due to conditions beyond our control, such as improper use or negligent care of equipment, and the warranty applies solely to materials and manufacture. Installation Services provided by other than Hamilton approved installers are not covered by the terms of this warranty. Complete all the information required on the warranty card, including the serial number. This can be obtained from the manufactures label located at the top of the door on the exterior side and return the card to Hamilton Products Group, Inc.

Hamilton Products Group, Inc

1-800-876-6066

HAMILTON

GSA Approved Class 5 Security Vault Door



Hamilton Products Group, Inc

1-800-876-6066