

LUXOR

OUTDOOR KITCHEN PRODUCTS



OUTDOOR COOKING AND HEATING PRODUCTS





■ COMBINATION GRILLS

Bringing together the best of both worlds, infrared and convectional systems can be combined in any size LUXOR grill.



■ CONVECTION GRILLS

LUXOR's convection style burner systems, composed of stainless steel u-shaped burners, rated at 27,500 BTU's each, is considered one of the highest BTU ratings in the industry. Combined with the heavy-duty stainless steel plates that support ceramic rocks, which help disperse heat evenly, absorbing and burning the drippings of food, results in the enhancement of flavor. The convectional style burner systems include 3/8" diameter stainless steel cooking grills.



■ SPRING ASSIST HOODS

LUXOR's new spring assist design makes lifting grill hoods much easier.



■ INFRARED BURNER

LUXOR grills are equipped with ceramic infrared burners which allow for higher heat output and professional cooking results. The infrared energy produced from LUXOR grills is similar to heat produced from the sun. This type of energy is a direct heat source which allows the food to cook faster while making it juicier and more flavorful. This method of grilling has been a favorite among professional cooks and restaurants.

Since there is no need for a heat distributing shield on top of the burner, there is less cleanup. This also eliminates the build-up of grease on heat distribution shields which could result in grease flare-ups.

Ceramic infrared burners cook the food over 50% faster than convection burners this allows you to sear the food faster to keep in all the juices. The LUXOR ceramic infrared burners are adjustable and can be set at a lower setting to accommodate grilling foods that require less heat such as vegetables.



■ INFRARED BACK BURNER

All LUXOR gas grills are available with or without rotisserie. The Infrared ceramic back burner produces intense searing heat which helps lock in flavor and juices. Since there is no secondary heat element to trap grease, flare-ups are virtually eliminated. The back burner could be used in conjunction with the smoker box which will allow for a more smoky flavored food. The rotisserie is equipped with a heavy duty rod and motor. Using a rotisserie could become a part of your lifestyle and not just a weekend event. From chicken to seafood, turkey to roast beef, Ribs to leg of lamb, use the rotisserie like a professional.



■ SMOKER BOX



Add great wood smoke flavor to all your grilled food using the independent smoker box and burner. The smoker burner is placed between two main burners for an even distribution of the smoke. Use the convenient stainless steel tray to add wood chips of different flavors as you grill. Hickory, mesquite, apple, cherry, pecan and alder are just some of the choices. The smoker box and burner also allows for cold smoking for added flavor.

■ CUSTOMIZED TEMPERATURE GAUGE

The easy to read LUXOR temperature gauge will allow you to operate your grill with ease, like a professional cook.



■ WARMING RACK

Each unit includes a stainless steel warming rack, it will keep the food warm and add a higher level of low temperature cooking.



■ LIGHTS

LUXOR grills are equipped with built in halogen lights for your night time cooking pleasure. The double halogen lights and the blue LED illuminated indicators are a useful tool for night time grilling and they add a beautiful accent to any backyard.



■ POLISHED EDGES

Welded construction ensures for high quality in structural integrity. Each unit has polished edges adding fine accents to the LUXOR grills



FREE STANDING SERIES

LUXOR 30" FREE STANDING GRILL / ROTISSERIE

(AHT-30FR)

- Built-in halogen surface lights
- Blue LED knob indicators
- Stainless steel warming rack
- Available in L.P. (Liquid Propane) or N.G. (Natural Gas)
- 730 square inches of total cooking area (490 main grilling area)
- Two convection gas burners producing 55,000 BTUs
- Smoker box with independent burner
- 15,000 BTU Infrared back burner
- Electric stainless steel Rotisserie motor
- Cabinet doors and double drawers for easy storage access

CONDIMENT HOLDER



LUXOR 36" FREE STANDING GRILL / ROTISSERIE

(AHT-36FR)

- Built-in halogen surface lights
- Blue LED knob indicators
- Stainless steel warming rack
- Available in L.P. (Liquid Propane) or N.G. (Natural Gas)
- 925 square inches of total cooking area (630 main grilling area)
- Three convection gas burners producing 82,500 BTUs
- 15,000 BTU Infrared back burner
- Electric stainless steel Rotisserie motor
- Cabinet doors and double drawers for easy storage access



LUXOR 42" FREE STANDING GRILL / ROTISSERIE

(AHT-42FR)

- Built-in halogen surface lights
- Blue LED knob indicators
- Stainless steel warming rack
- Available in L.P. (Liquid Propane) or N.G. (Natural Gas)
- 1050 square inches of total cooking area (701 main grilling area)
- Three convection gas burners producing 82,500 BTUs
- Smoker box with independent burner
- 15,000 BTU Infrared back burner
- Electric stainless steel Rotisserie motor
- Cabinet doors and double drawers for easy storage access



LUXOR 54" FREE STANDING GRILL / ROTISSERIE

(AHT-54FR)

- Built-in halogen surface lights
- Blue LED knob indicators
- Stainless steel warming rack
- Available in L.P. (Liquid Propane) or N.G. (Natural Gas)
- 1370 square inches of total cooking area (910 main grilling area)
- Four convection gas burners producing 110,000 BTUs
- Smoker box with independent burner
- Dual 15,000 BTU Infrared back burners
- Electric stainless steel Rotisserie motor
- Cabinet doors and double drawers for easy storage access





BUILT-IN SERIES



LUXOR 30" BUILT-IN GRILL / ROTISSERIE (AHT-30R-BI)

- Built-in halogen surface lights
- Blue LED knob indicators
- Stainless steel warming rack
- Available in L.P. (Liquid Propane) or N.G. (Natural Gas)
- 730 square inches of total cooking area (490 main grilling area)
- Two convection gas burners producing 55,000 BTUs
- Smoker box with independent burner
- 15,000 BTU Infrared back burner
- Electric stainless steel Rotisserie motor



LUXOR 36" BUILT-IN GRILL / ROTISSERIE (AHT-36R-BI)

- Built-in halogen surface lights
- Blue LED knob indicators
- Stainless steel warming rack
- Available in L.P. (Liquid Propane) or N.G. (Natural Gas)
- 925 square inches of total cooking area (630 main grilling area)
- Three convection gas burners producing 82,500 BTUs
- 15,000 BTU Infrared back burner
- Electric stainless steel Rotisserie motor



LUXOR 42" BUILT-IN GRILL / ROTISSERIE (AHT-42R-BI)

- Built-in halogen surface lights
- Blue LED knob indicators
- Stainless steel warming rack
- Available in L.P. (Liquid Propane) or N.G. (Natural Gas)
- 1050 square inches of total cooking area (701 main grilling area)
- Three convection gas burners producing 82,500 BTUs
- Smoker box with independent burner
- 15,000 BTU Infrared back burner
- Electric stainless steel Rotisserie motor



LUXOR 54" BUILT-IN GRILL / ROTISSERIE (AHT-54R-BI)

- Built-in halogen surface lights
- Blue LED knob indicators
- Stainless steel warming rack
- Available in L.P. (Liquid Propane) or N.G. (Natural Gas)
- 1370 square inches of total cooking area (910 main grilling area)
- Four convection gas burners producing 110,000 BTUs
- Smoker box with independent burner
- Dual 15,000 BTU Infrared back burners
- Electric stainless steel Rotisserie motor





CHARCOAL BUILT-IN SERIES



LUXOR 30" BUILT-IN GRILL (AHT-30CHAR-BI)

- 304 Stainless Steel construction
- Stainless steel warming rack
- Crank lift to adjust charcoal pan
- Charcoal access door
- Removable ash pan
- Rotisserie kit with halogen light (optional)
- Solid 3/8" Dia. Stainless Steel rod cooking grills
- Thermometer
- 730 square inches of total cooking area (490 main grilling area)



LUXOR 42" BUILT-IN GRILL (AHT-42CHAR-BI)

- 304 Stainless Steel construction
- Stainless steel warming rack
- Crank lift to adjust charcoal pan
- Charcoal access door
- Removable ash pan
- Rotisserie kit with halogen light (optional)
- Solid 3/8" Dia. Stainless Steel rod cooking grills
- Thermometer
- 1050 square inches of total cooking area (701 main grilling area)



LUXOR 30" BUILT-IN GRILL OPEN-TOP (AHT-30CHAR-BI-OT)

- 304 Stainless Steel construction
- Stainless steel warming rack
- Crank lift to adjust charcoal pan
- Charcoal access door
- Removable ash pan
- Rotisserie kit with halogen light (optional)
- 490 square inches of total cooking area
- Solid 3/8" Dia. Stainless Steel rod cooking grills

(AHT-30CHAR-BI-OT)



Shown with optional Stainless Steel cover (AHT-30CH-LD)



LUXOR 42" BUILT-IN GRILL OPEN-TOP (AHT-42CHAR-BI-OT)

- 304 Stainless Steel construction
- Stainless steel warming rack
- Crank lift to adjust charcoal pan
- Charcoal access door
- Removable ash pan
- Rotisserie kit with halogen light (optional)
- 701 square inches of total cooking area
- Solid 3/8" Dia. Stainless Steel rod cooking grills

(AHT-42CHAR-BI-OT)



Shown with optional Stainless Steel cover (AHT-42CH-LD)



CHARCOAL OPEN TOP COVER

(AHT-30CH-LD)
(AHT-42CH-LD)



CHARCOAL FREE STANDING SERIES



LUXOR 30" FREE STANDING CHARCOAL (AHT-30CHAR-F)

- 304 Stainless Steel construction
- Stainless steel warming rack
- Crank lift to adjust charcoal pan
- Charcoal access door
- Removable ash pan
- Rotisserie kit with halogen light (optional)
- 730 square inches of total cooking area (490 main grilling area)
- Solid 3/8" Dia. Stainless Steel rod cooking grills
- Thermometer
- Portable cart with four casters and two shelves
- Large storage drawer



LUXOR 42" FREE STANDING CHARCOAL (AHT-42CHAR-F)

- 304 Stainless Steel construction
- Stainless steel warming rack
- Crank lift to adjust charcoal pan
- Charcoal access door
- Removable ash pan
- Rotisserie kit with halogen light (optional)
- 1050 square inches of total cooking area (701 main grilling area)
- Solid 3/8" Dia. Stainless Steel rod cooking grills
- Thermometer
- Portable cart with four casters and two shelves
- Large storage drawer



LUXOR 30" FREE STANDING CHARCOAL OPEN-TOP (AHT-30CHAR-OT-F)

- 304 Stainless Steel construction
- Stainless steel warming rack
- Crank lift to adjust charcoal pan
- Charcoal access door
- Removable ash pan
- Rotisserie kit with halogen light (optional)
- 490 square inches of total cooking area
- Solid 3/8" Dia. Stainless Steel rod cooking grills
- Portable cart with four casters and two shelves
- Large storage drawer



LUXOR 42" FREE STANDING CHARCOAL OPEN-TOP (AHT-42CHAR-OT-F)

- 304 Stainless Steel construction
- Stainless steel warming rack
- Crank lift to adjust charcoal pan
- Charcoal access door
- Removable ash pan
- Rotisserie kit with halogen light (optional)
- 701 square inches of total cooking area
- Solid 3/8" Dia. Stainless Steel rod cooking grills
- Portable cart with four casters and two shelves
- Large storage drawer



LUXOR REFRIGERATION BUILT-IN ACCESSORIES



OUTDOOR REFRIGERATOR (AHT-OD-RF1)

UL listed for outdoor use. Automatic light switch.

CUT OUT SIZE: 24 1/2"W x 34"H x 25 1/2"D



OUTDOOR REFRIGERATOR (AHT-OD-RF2)

UL listed for outdoor use. Automatic light switch, double drawers.

CUT OUT SIZE: 24 1/4"W x 34"H x 25 1/2"D



OUTDOOR ICEMAKER (AHT-OD-IM)

UL listed for outdoor use.
44 pound /day capacity. Produces hard, crystal clear ice cubes.

CUT OUT SIZE: 15 1/4"W x 34"H x 24"D





LUXOR CHILL MASTERS

Preserve ice and keep drinks chilled at your party for hours by using the LUXOR Insulated PARTY CHILL MASTER. The walls of this unit are insulated which allows for extended protection from the sun. Impress your guests with the stylish design of the chill master. This unit will be an added comfort for entertaining and serving drinks. The drain plug allows drainage while in use and will simplify cleanup after use. Available in slide-in or drop-in models.



PARTY CHILL MASTER 24 (AHT-IB-DI-24)

- 304 Stainless Steel
- Ice Storage
- Condiment Holder

CUT OUT SIZE: 23 1/2"W x 11 7/8"H x 23 1/2"D



(AHT-IB-24)



(AHT-IB-24)

PARTY CHILL MASTER 24 (AHT-IB-24)

- 304 Stainless Steel
- Ice Storage
- Condiment Holder
- Bottle Opener / Cap Box
- Towel Rack

CUT OUT SIZE: 23 5/8"W x 11 7/8"H x 23 1/2"D

PARTY CHILL MASTER 30F (AHT-IB-30F)

304 Stainless Steel construction with sink and faucet. This unit includes an ice storage, towel rack, cutting board, with drawers and access door.



PARTY CHILL MASTER 30 (AHT-IB-30)

- 304 Stainless Steel
- Sink / Faucet
- Ice Storage
- Condiment Holder
- Bar Shelf
- Cutting Board
- Bottle Opener / Cap Box

CUT OUT SIZE: 29"W x 10 1/2"H x 22 1/2"D



PARTY CHILL MASTER 42 (AHT-IB-42)

- 304 Stainless Steel
- Sink / Faucet
- Ice Storage
- Condiment Holder
- Bottle Opener / Cap Box
- Storage Drawer
- Towel Rack
- Cutting Board
- Granite Prep Surface
- Bar Shelf

CUT OUT SIZE: 40 1/2"W x 10 1/2"H x 22 1/2"D

PARTY CHILL MASTER 42F (AHT-IB-42F)

304 Stainless Steel construction with sink and faucet. This unit includes an ice storage, towel rack, cutting board, granite prep surface with drawers and access door.



LUXOR DOUBLE SIDE BURNER

(AHT-DSB-L)

Any outdoor chef will enjoy the use of the LUXOR side burner which will complete the outdoor cooking experience by allowing you to create sauces, boil seafood and vegetables, fry food, or simply keep coffee warm. LUXOR side burners feature 304 all stainless steel construction similar to LUXOR gas grills and come with a lifetime warranty on all stainless steel construction and the brass power burners.

- Two 17,000 BTU burners. Total of 34,000 BTU's
- 304 Stainless steel construction.
- Easy to light push button electronic ignition.
- Matching protective stainless steel cover.
- Available for built-in or cart models.
- Removable heavy duty, 3/8" diameter 304 stainless steel constructed grates for easy cleanup and durability.

CUT OUT SIZE: 11 1/2"W x 10"H x 22 1/4"D





LUXOR SINGLE SIDE BURNER DROP-IN

(AHT-DI-SSB)

- One 12,000 BTU burner
- 304 Stainless Steel Construction.
- Easy to light push button electronic ignition.
- Matching protective stainless steel cover.
- Available for built-in models.
- Removable, heavy duty 5 1/16" diameter

CUT OUT SIZE: 10 3/4"W x 3 1/2"H x 15 1/2"D
 304 stainless steel constructed grates, for easy cleanup and durability



Warming Drawer

(AHT-WD-30)

Serve a piping hot meal every time, with the help of our 110 volt electric warming drawer, a great addition to any outdoor kitchen.

CUT OUT SIZE: 28 3/4" W x 10" H x 21 1/4" D



Enhance your built-in BBQ island with these built-in fine accessories.
All stainless steel used on LUXOR accessories are 304 stainless steel.

SLIMLINE SERIES



DOUBLE DOOR 30" (AHT-ADB-30)
CUT OUT SIZE: 30 1/4"W x 19 1/4"H



DOUBLE DOOR 36" (AHT-ADB-36)
CUT OUT SIZE: 33 1/4"W x 19 1/4"H



DOUBLE DOOR 42" (AHT-ADB-42)
CUT OUT SIZE: 42 1/4"W x 19 1/4"H



SINGLE DOOR 24" VERTICAL
(AHT-ADB-2417-VL) Left Handle
(AHT-ADB-2417-VR) Right Handle
CUT OUT SIZE: 17 1/4"W x 24 1/4"H



SINGLE DOOR 20" VERTICAL
(AHT-ADB-2014-VR) Right Handle
(AHT-ADB-2014-VL) Left Handle
CUT OUT SIZE: 14 1/4"W x 20 1/4"H



SINGLE DOOR 24" HORIZONTAL
AHT-ADB-1724-HR) Right Handle
(AHT-ADB-1724-HL) Left Handle
CUT OUT SIZE: 24 1/4"W x 17 1/4"H

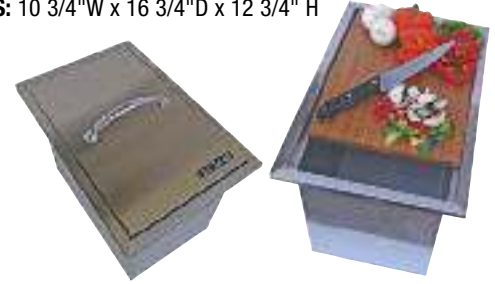


SINGLE DOOR 20" HORIZONTAL
(AHT-ADB-1420-HR) Right Handle
(AHT-ADB-1420-HL) Left Handle
CUT OUT SIZE: 20 1/4"W x 14 1/4"H

TRASH CHUTTE

(AHT-TCHUT)

CUT OUT SIZES: 10 3/4"W x 16 3/4"D x 12 3/4" H



TRASH CAN HOLDER OPEN TOP

SMALL

(AHT-TS-S-OT)

CUT OUT SIZE: 15 1/4"W x 20 3/4"H x 16 1/2"D

TRASH CAN

SMALL

(AHT-TC-1)

304 Stainless Steel Small Trash Can



ISLAND UMBRELLA HOLDER

3"W X 3"W X 5 3/4" H (AHT-IUS)

Inside Diameter = 1 5/8"

ISLAND UMBRELLA HOLDER

4"W X 4"W X 5 3/4" H (AHT-IUS-4)

Inside Diameter = 2 1/8"

ISLAND VENT 4" H x 16 W

(AHT-IVENT)



SPICE RACK

(AHT-SRACK-1)

16"W X 4"H X 3 3/4"D





Enhance your built-in BBQ island with these built-in fine accessories.
All stainless steel used on LUXOR accessories are 304 stainless steel.

SLIMLINE SERIES



TANK / TRASH CAN HOLDER
LARGE (AHT-TS-L)
CUT OUT SIZE: 18"W x 24 1/2"H x 23 1/4"D

Single Drawer Double Height

(AHT-B1D-DH)
Cut out size: 18" W x 13" H x 23 1/4" D



TRASH CAN HOLDER
SMALL (AHT-TS-S)
CUT OUT SIZE: 15 1/4"W x 20 3/4"H x 16 1/2"D

Single Drawer

(AHT-B1D)
Cut out size: 18" W x 6 1/2" H x 23 1/4" D



DOUBLE DRAWER

(AHT-B2D)
CUT OUT SIZE: 18"W x 13"H x 23 1/4"D



TRIPLE DRAWER

(AHTB3D)
CUT OUT SIZE: 18"W x 24 1/2"H x 23"D



PAPER TOWEL HOLDER
(AHT-PTH)
CUT OUT SIZE: 14 1/2"W x 8 1/2"H x 6"D



DOOR DRAWER COMBO

(AHT-COMBO-30)
CUT OUT SIZE: 30 3/4"W x 19 3/4"H x 17 1/2"D



Ice Chest/Cooler Drawer

(AHT-ICDW-30)
CUT OUT SIZE: 28 3/8"W x 18"H x 20 3/4"D
Keep cold drinks at your fingertips, with this easy accessible ice chest drawer with ample storage space.





MEDALLION SERIES

Enhance your built-in BBQ island with these built-in fine accessories. All stainless steel used on LUXOR accessories are 304 stainless steel.



Double Door (AHT-ADM-30)
CUT OUT SIZE: 28 1/4"W x 19 1/4"H

Double Door (AHT-ADM-36)
CUT OUT SIZE: 34 1/4"W x 19 1/4"H

Double Door (AHT-ADM-42)
CUT OUT SIZE: 40 1/4"W x 19 1/4"H



Single Door (AHT-ADM-1724-HR)
CUT OUT SIZE: 24 1/4"W x 17 1/4"H

Single Door (AHT-ADM-1724-HL)
CUT OUT SIZE: 24 1/4"W x 17 1/4"H

Single Door (AHT-ADM-1420-HR)
CUT OUT SIZE: 20 1/4"W x 14 1/4"H

Single Door (AHT-ADM-1420-HL)
CUT OUT SIZE: 20 1/4"W x 14 1/4"H



Single Door (AHT-ADM-2417-VR)
CUT OUT SIZE: 17 1/4"W x 24 1/4"H

Single Door (AHT-ADM-2417-VL)
CUT OUT SIZE: 17 1/4"W x 24 1/4"H

Single Door (AHT-ADM-2014-VR)
CUT OUT SIZE: 14 1/4"W x 20 1/4"H

Single Door (AHT-ADM-2014-VL)
CUT OUT SIZE: 14 1/4"W x 20 1/4"H



Single Door (AHT-ADM-2121-R)
CUT OUT SIZE: 19 1/2"W x 19 1/2"H

Single Door (AHT-ADM-2121-L)
CUT OUT SIZE: 19 1/2"W x 19 1/2"H

All Medallion Luxor accessories have polished handles and edges.

All Medallion Luxor accessories are equipped with Easy-Slide tracks.



EXTRA LARGE SINGLE STORAGE DRAWER (AHT-M-1D-30)
CUT OUT SIZE: 28 1/2"W x 14 1/2"H x 23 1/4"D



EXTRA LARGE SINGLE STORAGE DRAWER (AHT-M-1D-42)
CUT OUT SIZE: 40 1/2"W x 14 1/2"H x 23 1/4"D



PAPER TOWEL AND TRASH PULLOUT COMBO (AHT-M-PTTS)
CUT OUT SIZE: 14 1/2"W x 29 1/2"H x 15 1/4"D



TRASH CHUTTE (AHT-TCHUT)
CUT OUT SIZES: 10 3/4"W x 16 3/4"D x 12 3/4" H



Trash Pull-Out Open top (AHT-MTS- OT)
CUT OUT SIZE: 14 1/2"W x 22 1/2"H x 15 3/4" D





MEDALLION SERIES

Enhance your built-in BBQ island with these built-in fine accessories. All stainless steel used on LUXOR accessories are 304 stainless steel.

Door Drawer Combo (AHT-M-COMBO-30)
CUT OUT SIZE: 28 1/2"W x 19 1/2"H x 23 1/4"D



Single Drawer (AHT-M1D-L)
CUT OUT SIZE: 28 1/2"W x 28 1/2"D x 3 3/4"H



Double Drawer (AHT-M2D)
CUT OUT SIZE: 11 1/2"W x 19 1/2"H x 19"D



Pantry Storage Combo (AHT-M-COMBO-42)
CUT OUT SIZE: 40 1/2"W x 19 1/2"H x 23 1/4"D



Triple Drawer (AHT-M-3D)
CUT OUT SIZE: 14 1/2"W x 29 1/2"H x 15 1/4"D



Trash Pull-Out (AHT-MTS)
CUT OUT SIZE: 14 1/2"W x 22 1/2"H x 15 3/4" D



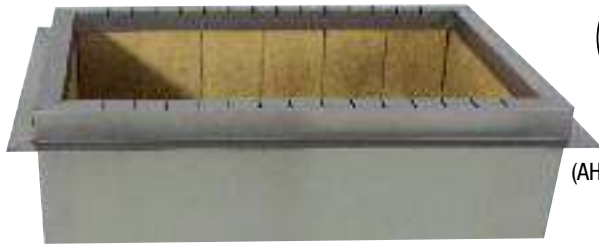
Paper Towel Holder (AHT-MPTH)
CUT OUT SIZE: 14 1/2"W x 8 1/2"H x 7"D



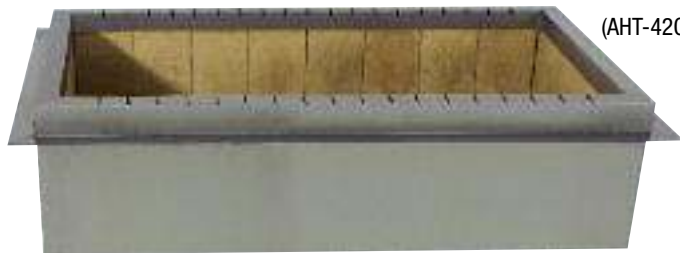


COALMASTER™ DROP-IN SERIES

The heat absorbing high temperature retaining inserts will create a radiant cooking resulting in a juicier and more flavorful food. Luxor Coalmaster allows for longer, controlled and hotter cooking with less charcoal.



(AHT-30CM-DI- OT)



(AHT-42CM-DI- OT)



(AHT-30CM-DI- HD)

(AHT-42CM-DI- HD)



COALMASTER OPEN TOP COVER
(optional)

COALMASTER™ 30 OPEN TOP (AHT-30CM-DI- OT)

LUXOR 30" DROP-IN CHARCOAL OPEN TOP GRILL

- 304 Stainless Steel construction
- Heat retaining high temperature inserts
- Notched frame to hold skewers in multiple positions
- Bottom ash cleanout opening
- 535 square inches of total cooking area
- Cutout Dimensions: 30 5/8" W x 23" D x 10" H

COALMASTER™ 42 OPEN TOP (AHT-42CM-DI- OT)

LUXOR 42" DROP-IN CHARCOAL OPEN TOP GRILL

- 304 Stainless Steel construction
- Heat retaining high temperature inserts
- Notched frame to hold skewers in multiple positions
- Bottom ash cleanout opening
- 770 square inches of total cooking area
- Cutout Dimensions: 42 5/8" W x 23" D x 10" H

COALMASTER™ 30 (AHT-30CM-DI- HD)

LUXOR 30" DROP-IN CHARCOAL GRILL WITH HOOD

- 304 Stainless Steel construction
- Heat retaining high temperature inserts
- Notched frame to hold skewers in multiple positions
- Bottom ash cleanout opening
- 535 square inches of total cooking area
- Stainless steel warming rack
- Rotisserie kit with halogen light (optional)
- Solid 3/8" Dia. Stainless Steel rod cooking grills (optional)
- Thermometer
- Cutout Dimensions: 30 5/8" W x 23" D x 10" H

COALMASTER™ 42 (AHT-42CM-DI- HD)

LUXOR 42" DROP-IN CHARCOAL GRILL WITH HOOD

- 304 Stainless Steel construction
- Heat retaining high temperature inserts
- Stainless steel warming rack
- Notched frame to hold skewers in multiple positions
- Bottom ash cleanout opening
- 770 square inches of total cooking area
- Stainless steel warming rack
- Rotisserie kit with halogen light (optional)
- Solid 3/8" Dia. Stainless Steel rod cooking grills (optional)
- Thermometer
- Cutout Dimensions: 42 5/8" W x 23" D x 10" H



LUXOR ACCESSORIES

OUTDOOR BLENDER



DOUBLE DRAWER

(AHT-DR2)

CUTOUT SIZE: 10 1/2"W x 19 5/8"D x 8 3/4"H



TRIPLE DRAWER

(AHT-DR3)

CUTOUT SIZE: 10 1/2"W x 19 5/8"D x 17"H



VINYL COVER

(AHT-CVR-DSB)

Protect your LUXOR Double Side Burner with this heavy duty, weather resistant, vinyl cover designed to custom fit LUXOR Double Side Burners.



VINYL COVER

(AHT-CVR-IB24)

Protect your LUXOR Party Chill Master with this heavy duty, weather resistant, vinyl cover designed to custom fit LUXOR Party Chill Masters.



VINYL COVERS (built-in)

Protect your LUXOR Grill with this heavy duty, weather resistant, vinyl cover designed to custom fit LUXOR 30", 42" and 54" built-in grills

(AHT-CVR-30B)

(AHT-CVR-42B)

(AHT-CVR-54B)



VINYL COVERS (Free Standing)

Protect your LUXOR Free Standing Grill with this heavy duty, weather resistant, vinyl cover designed to custom fit LUXOR 30", 42" and 54" free standing grills.

(AHT-CVR-30F)

(AHT-CVR-42F)

(AHT-CVR-54F)



STAINLESS STEEL CLEANER

Maintain your LUXOR Grill with our Stainless Steel Cleaner. This non abrasive, streak free formula reduces fingerprints and is usable on all stainless steel barbecue's, appliances, and fixtures.



SUN TECH™ PATIO HEATERS

The SUN TECH patio heater is made of polished 304 stainless steel for durability. The 48,000 BTU LP unit will provide maximum heat distribution for your patio dining.

- 304 Stainless steel construction
- 48,000 BTU LP system w/safety shut-off
- Piezo electric ignition
- Adjustable heat control knob
- CSA gas certified
- Self contained
- No electricity needed
- Base houses 20 LB. LP / propane tank



SUN TECH™ (SUNTECH-NG-B) (SUNTECH-NG-IG) (SUNTECH-LP-SS) PATIO HEATERS

- Stainless steel construction
- 48,000 BTU LP system with safety shut-off
- Piezo electric ignition
- Adjustable heat control knob
- Up to 20 ft. Circle of heat
- American Gas Association Certified
- No electricity required
- Self contained
- Weighted base houses 20 LB. LP / propane tank



LUXOR OUTDOOR COOKING AND HEATING PRODUCT WARRANTY HIGHLIGHTS:

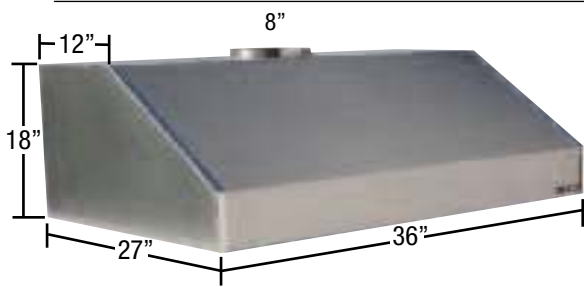
Limited Lifetime Warranty on stainless steel body housing, ceramic infrared burners, and stainless steel burners. Limited Five-year warranty on interior grill parts and drip pan. Limited One-year warranty on all other grill components. For complete warranty information refer to LUXOR products owners manual.

©2016 American Heating Technologies, Inc. All Rights Reserved. LUXOR™ and Sun Tech™ are trademarks of American Heating Technologies, Inc.





LUXOR VENT HOOD



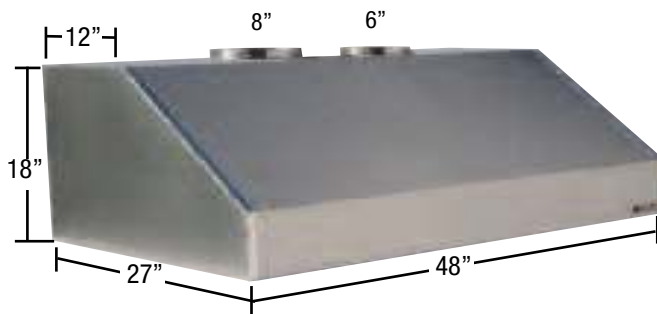
OUTDOOR VENT HOOD

(LX-HEZ-36)
 8" Pipe
 304 Stainless Steel
 2 Blowers 600 CFM
CUTOUT SIZE: 36"W x 27"D x 18"H



VENT HOOD BOTTOM VIEW

Houses the Magic Lung. Includes halogen lights and Easy-Clean tray.



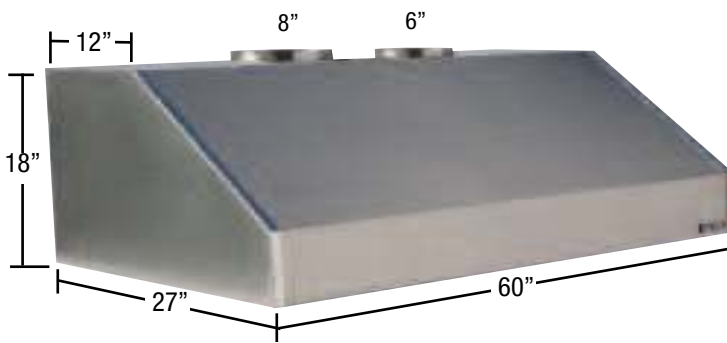
OUTDOOR VENT HOOD

(LX-HEZ-48)
 8" Pipe and 6" Pipe
 304 Stainless Steel
 3 Blowers 900 CFM
CUTOUT SIZE: 48"W x 27"D x 18"H



STAINLESS STEEL DUCT COVER

Available in 12" and 24" heights.
 (LX-HDC-3612SS) (LX-HDC-3624SS) (LX-HDC-4812SS)
 (LX-HDC-4824SS) (LX-HDC-6012SS) (LX-HDC-6024SS)



OUTDOOR VENT HOOD

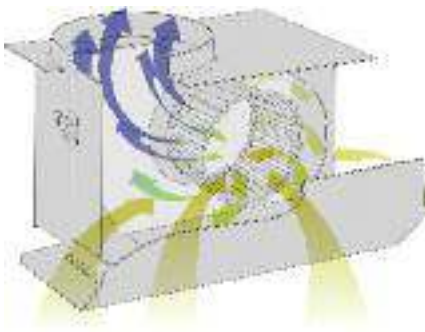
(LX-HEZ-60)
 8" Pipe and 6" Pipe
 304 Stainless Steel
 4 Blowers 1200 CFM
CUTOUT SIZE: 60"W x 27"D x 18"H



STAINLESS STEEL EXTENSION

(LX-HXT-36)
 (LX-HXT-48)
 (LX-HXT-60)

THE MAGIC LUNG®



QUIET.

Turn it on and you'll hear only a whisper of air movement. The Luxor Vent Hood blower system provides the quietest ventilation available.

EFFICIENT.

The powerful Magic Lung® blower traps cooking contaminants, liquifies grease vapor and removes heat polluted air. Because Magic Lung® does not pull air through a filter, it provides the most efficient kitchen ventilation available today.

EASY CLEANING.

The Magic Lung® blower housing snaps apart for easy cleaning in the dishwasher or with warm soapy water. The motor is enclosed in a specially designed housing to keep it out of the grease flow. This means no hidden grease in hard to reach areas.

FIRE SAFETY.

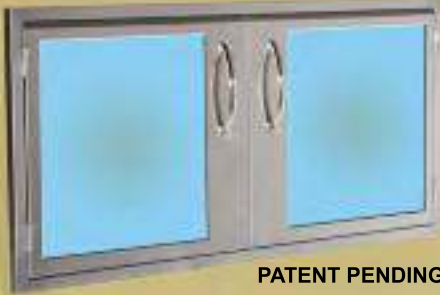
The Magic Lung® constant speed centrifugal blower liquifies grease and creates a pressure barrier, which lowers risk of fire.

POWERFUL.

The Magic Lung® blower can be configured to provide the power needed for even the most demanding cooking surfaces.



OUTDOOR KITCHEN PRODUCTS



PATENT PENDING

Double Door (AHT-IL-AD-30)

CUT OUT SIZE:

28 1/4"W x 19 1/4"H

Improve your backyard experience with the new, exciting and revolutionary PATENT PENDING LUXOR LED illuminated accessories. The illuminated diamond etched frosted glass will provide a great entertainment value to your outdoor experience.

The LUXOR Outdoor Kitchen Accessories could be enjoyed simply as an elegant glass panel, or illuminated LED glass panel to the color of your choice, or it could be enjoyed to the beat of your favorite music and light combination.

Our custom "LuxorBBQ LED" WIFI app will allow you to control your LUXOR illuminated accessories through your Android or Apple smart device remotely, up to five devices may be connected to a single controller box. Also, the controller box may be connected to a Bluetooth wireless speaker device. You may control multiple controller boxes through the "LuxorBBQ LED" APP.



PATENT PENDING

Single Door (AHT-IL-AD-2014-VR)

CUT OUT SIZE: 14 1/4"W x 20 1/4"H

Single Door (AHT-IL-AD-2014-VL)

CUT OUT SIZE: 14 1/4"W x 20 1/4"H



PATENT PENDING

Extra Large Single Storage Drawer (AHT-IL-1D-30)

CUT OUT SIZE: 28 1/2"W x 14 1/2"H x 23 1/4"D



PATENT PENDING

Trash Pull-Out (AHT-IL-TSS)

CUT OUT SIZE: 14 1/2"W x 22 1/2"H x 15 3/4" D



WiFi Controlled Custom APP For Android & IOS

PATENT PENDING





WiFi Controlled LED APP For LUXOR Outdoor kitchen products Illuminated Accessories.

OUTDOOR KITCHEN PRODUCTS

PATENT PENDING

ANDROID



APPLE IOS



WiFi controller box & Power Supply



6 Feet and 9 Feet Extentions



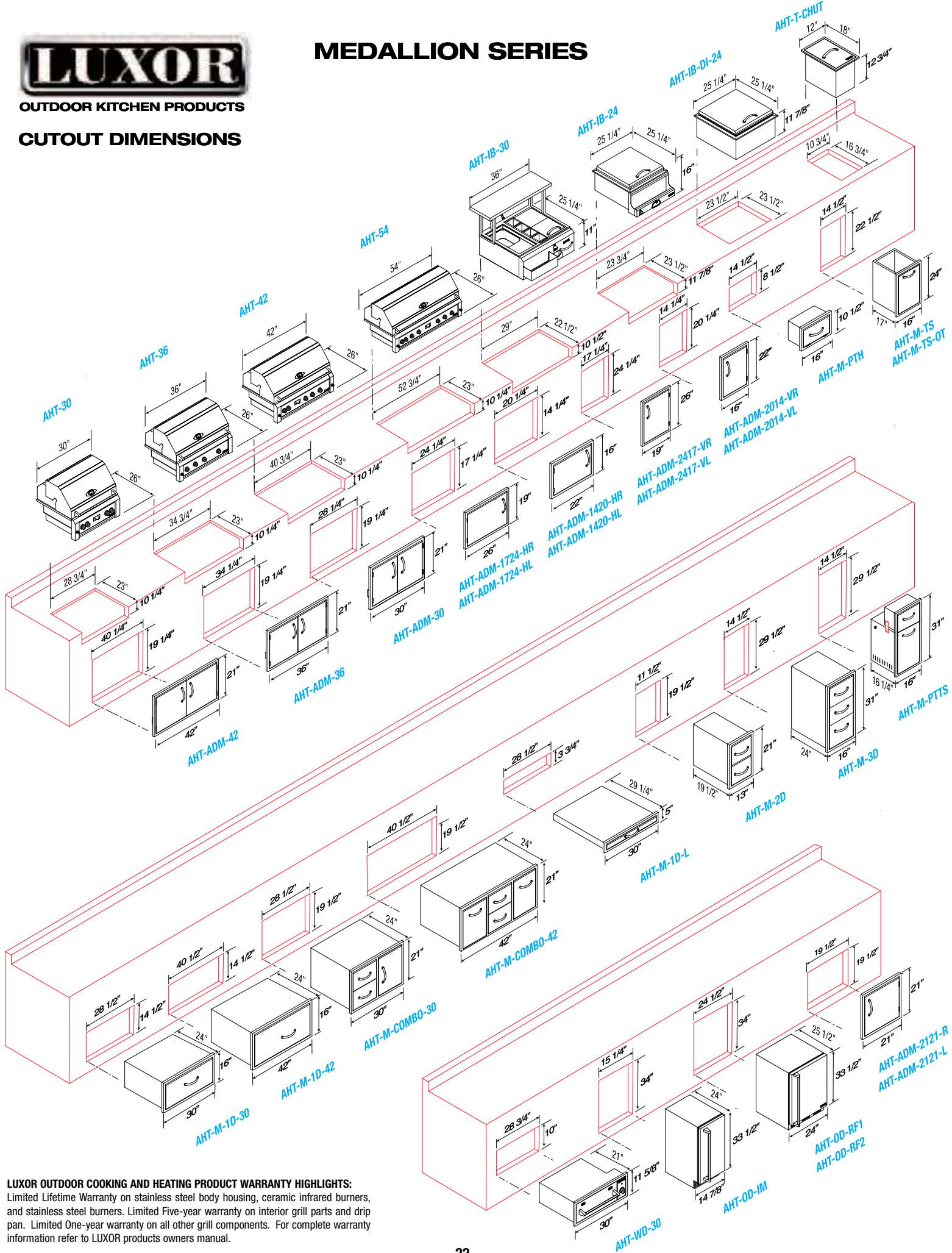
Wifi LED Controller



OUTDOOR KITCHEN PRODUCTS

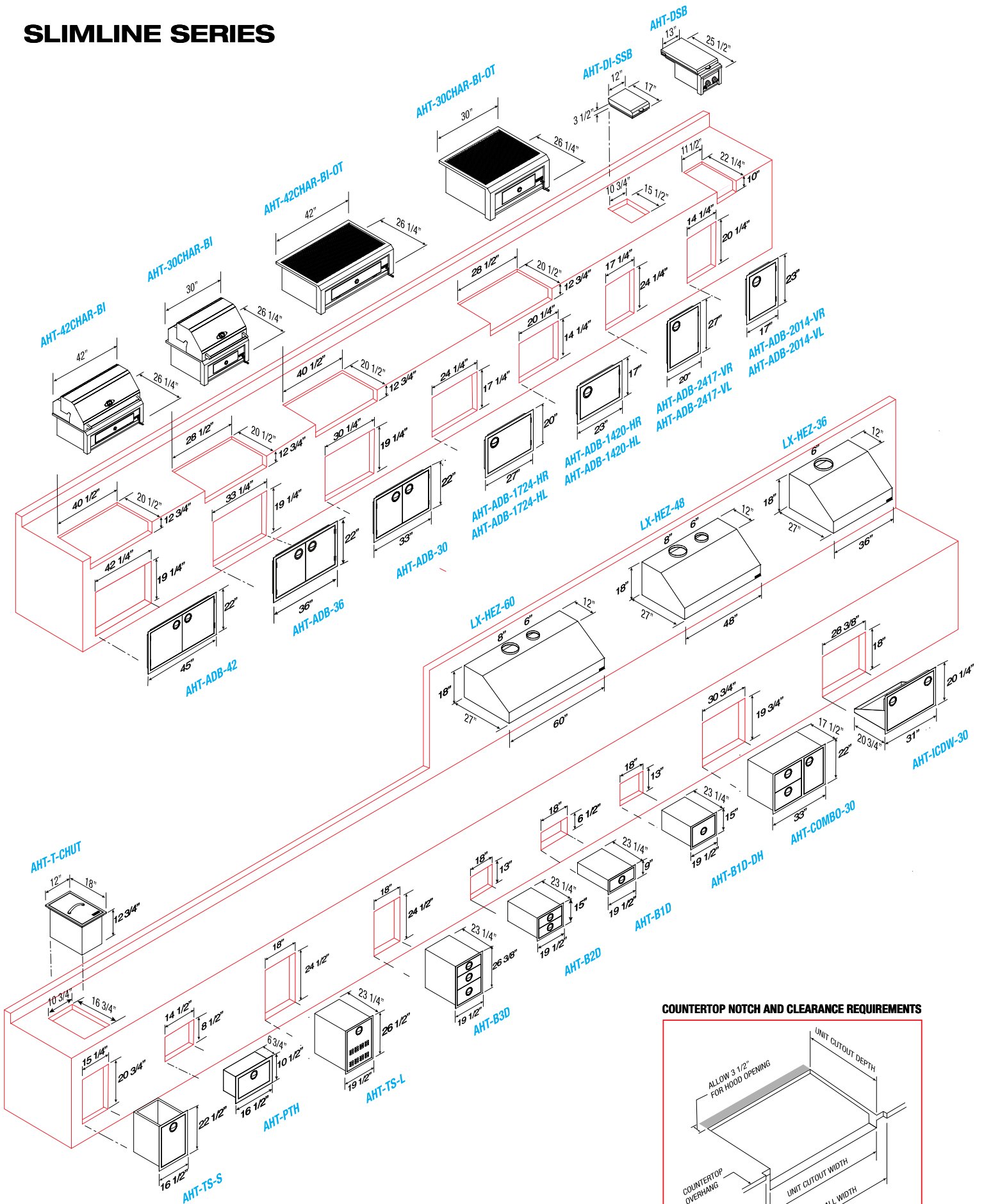
CUTOUT DIMENSIONS

MEDALLION SERIES

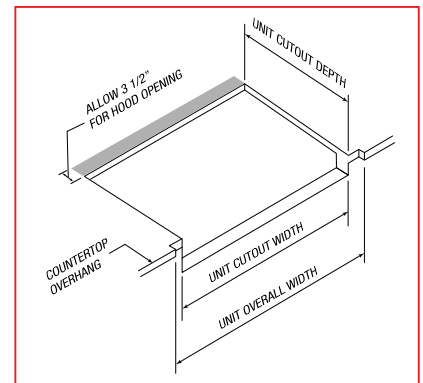


LUXOR OUTDOOR COOKING AND HEATING PRODUCT WARRANTY HIGHLIGHTS:
 Limited Lifetime Warranty on stainless steel body housing, ceramic infrared burners, and stainless steel burners. Limited Five-year warranty on interior grill parts and drip pan. Limited One-year warranty on all other grill components. For complete warranty information refer to LUXOR products owners manual.

SLIMLINE SERIES



COUNTERTOP NOTCH AND CLEARANCE REQUIREMENTS



American Heating Technologies Inc. reserves the right to change the specifications, materials and design of products without notification.



DESIGN



DETAIL



QUALITY



CONTROL



LUXOR[®]

OUTDOOR KITCHEN PRODUCTS

SUN TECH[™]
PATIO HEATERS

AMERICAN HEATING TECHNOLOGIES, INC.

501 W. Glenoaks Blvd. Suite 125, Glendale, CA 91202

www.LuxorGrills.com

www.AmericanHeatingTechnologies.com

Tel: 877.4GRILLING (877.447.4554)

Tel: 818.240-8202

Fax: 818.240-8302