



# LID Integration GF-LID

Before integrating your lid, read carefully this instruction manual.

For any questions, please contact us at : [contact@legriddle.com](mailto:contact@legriddle.com)

**Not for cooking. Always keep open your LID when LE GRIDDLE is on.**

1- The handle:

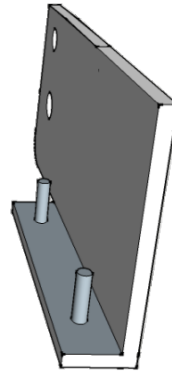
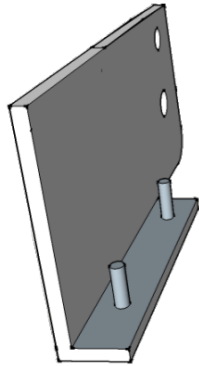
With the 2 M4 screw and the 2 washers, fix the handle at the front of the lid



## 2- The hinges

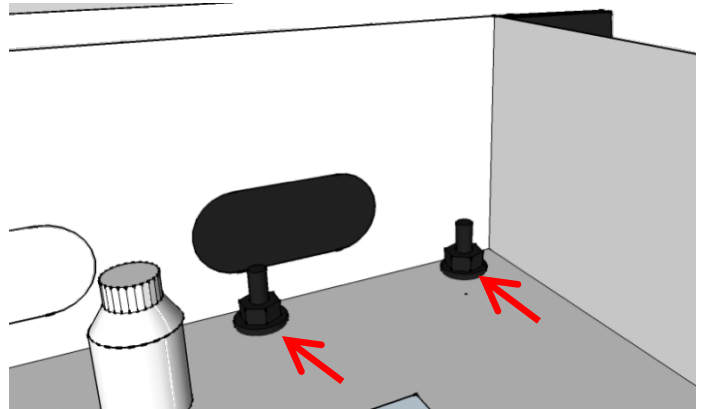
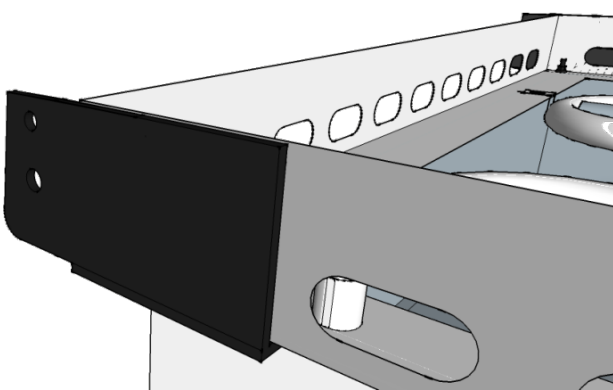
Identify the left and right hinges

LEFT  
HINGE

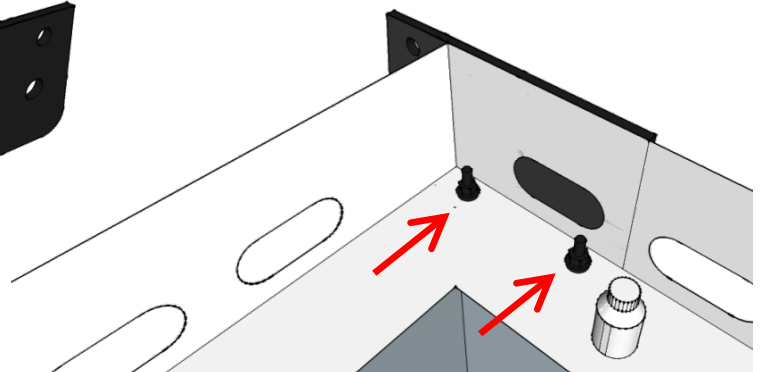
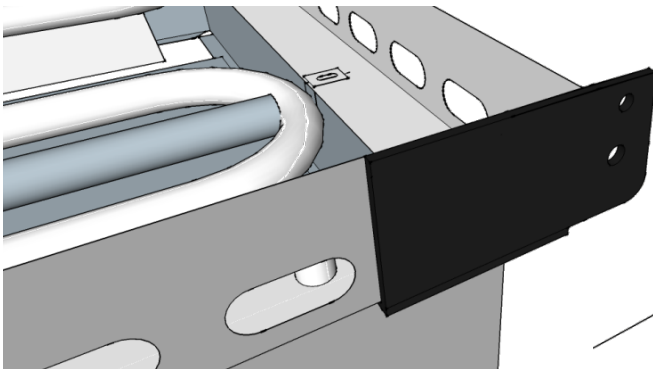


RIGHT  
HINGE

Position the hinge at the back left of the griddle, put the 2 washers and Nut and tighten them.

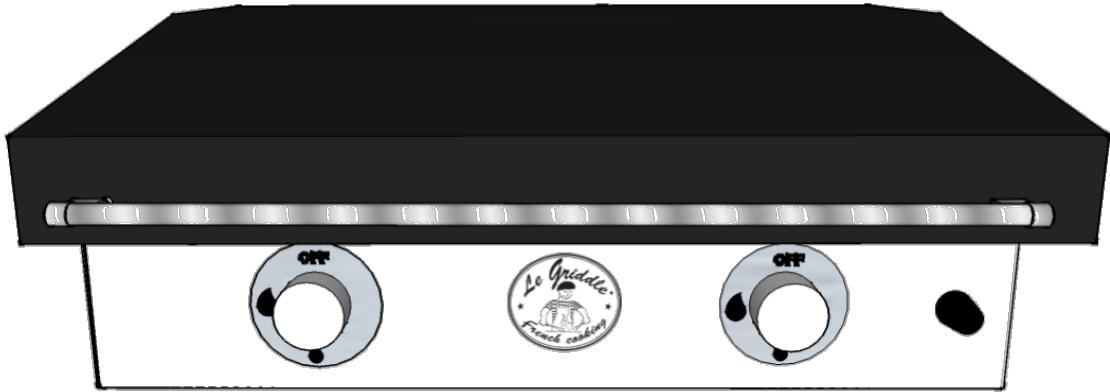


Position the hinge at the back right of the griddle, put the 2 washers and Nut and tighten them.

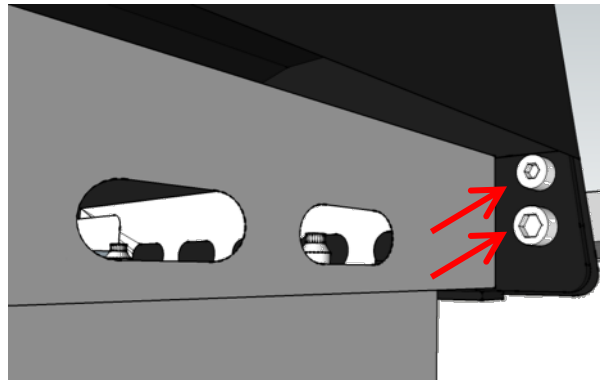
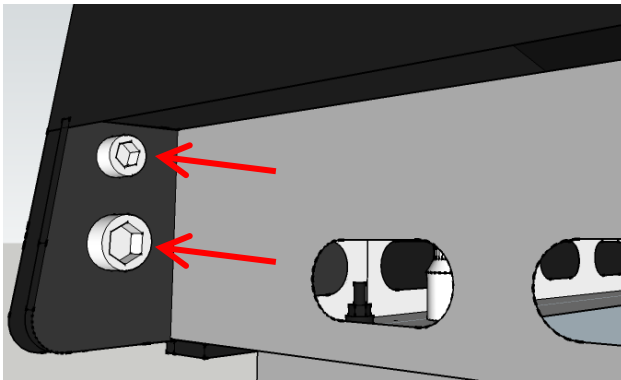


### 3- The lid

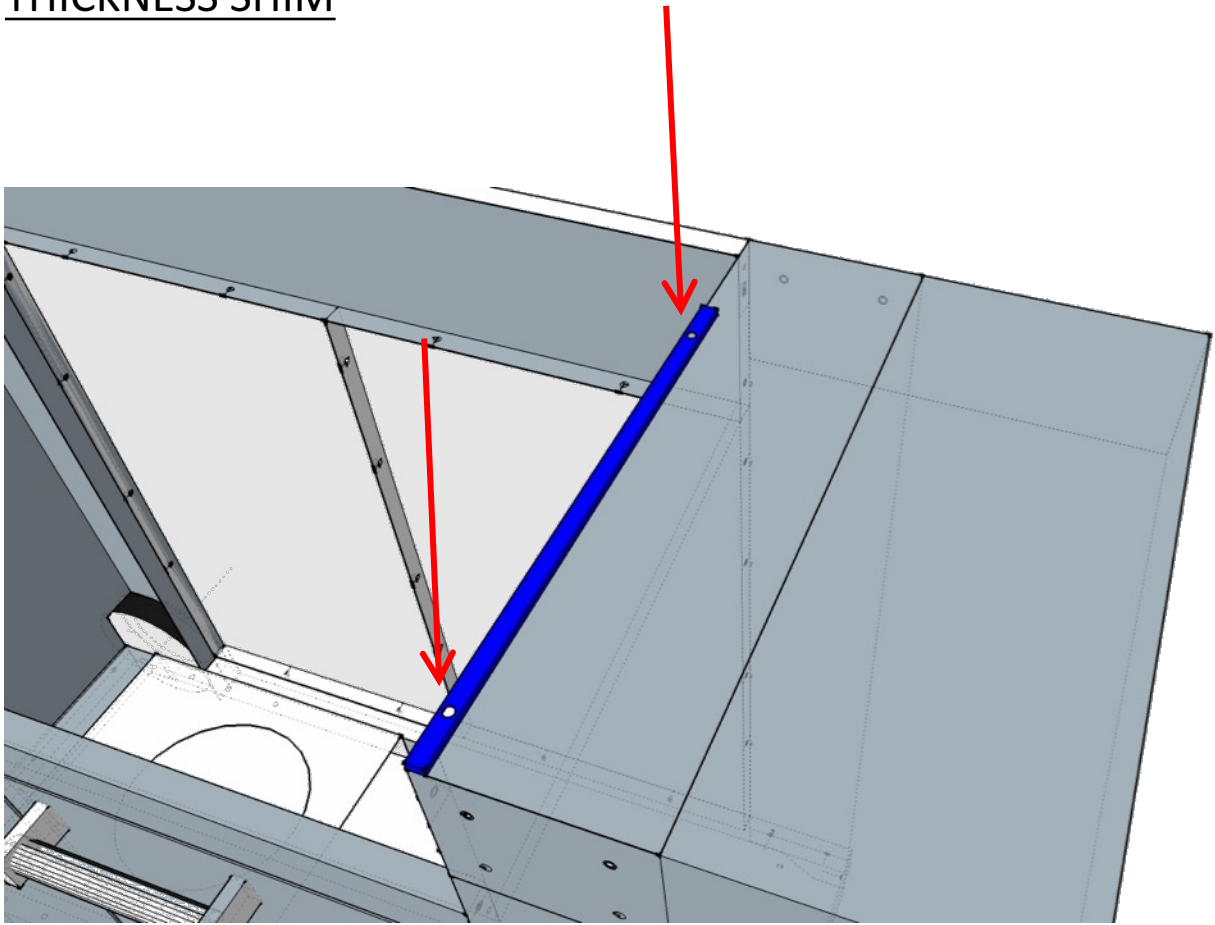
Put the LID on the Griddle, the hinges must be inside the lid. To set the lid on griddle, push sides away. So that lid must be assembled with strength



Tighten the screws M6 and M8 at the back of hinges for the left and right side.



FOR BUILT IN AND TROLLEY USING YOU MUST ADD LEGRIDDLE THICKNESS SHIM



- 1-place the shim uner the griddle edge
  - 2- make 2 x 2mm holes with a drill
  - 3 – fix it with the 2 countersink screw supplied
- Do the same for left and right Side

**Not for cooking. Always keep open your LID when LE GRIDDLE is on.**