

*Allegra*TM
OUTDOOR KITCHEN PRODUCTS



Outdoor Kitchen Products



26" ALLEGRA GRILL

(AHT-AL-26)

- 3 MAIN BURNERS AT 15,000 BTU EACH (45,000 BTUS)
- 565 SQUARE INCHES OF TOTAL COOKING AREA (408 MAIN GRILLING AREA)
- 304 STAINLESS STEEL CONSTRUCTION
- STAINLESS STEEL BURNERS
- 304 STAINLESS STEEL COOKING GRILLS
- WARMING RACK
- TEMPERATURE GAUGE
- FLAME THROW IGNITION SYSTEM
- PULL OUT GREASE TRAY
- STAINLESS STEEL FLAME TAMERS
- AVAILABLE IN LP OR NG
- OPTIONAL CAST STAINLESS BURNERS AVAILABLE
- CUTOUT DIMENSIONS: 24 1/2"W x 21"D x 9"H



BUILT IN DOUBLE HALOGEN LIGHTS

Easy to maintain interior double halogen lights are designed to provide ample and effective lighting for your night time grilling pleasure.



FLAME THROW IGNITION SYSTEM

Revolutionary flame throw ignition system makes it easy to light each burner on the ALLEGRA gas grill. The ignition system creates a single bolt of fire aimed at the burner which starts the burner.



DOUBLE LAYERED HOOD

All ALLEGRA grill hoods are double lined. The grill hoods have an inner stainless steel lining which keeps the outside hood from discoloring and maintains more heat for cooking.



INFRARED BACK BURNER

All ALLEGRA gas grills are available with or without rotisserie. The infrared ceramic back burner produces intense searing heat which helps lock in flavor and juices. Since there is no secondary heat element to trap grease, flare-ups are virtually eliminated. The rotisserie is equipped with a heavy duty rod and motor.



CUSTOMIZED TEMPERATURE GAUGE

The easy to read ALLEGRA temperature gauge will allow you to operate your grill with ease, like a professional cook.



POLISHED EDGES

Welded construction ensures for high quality in structural integrity. Each unit has Seamless and polished edges adding fine accents to the ALLEGRA grills.



INFRARED BURNER

Allegra infrared burner is a great addition to any grill model for searing capabilities. An infrared cooking surface is capable of emitting heat so intense that it completes the cooking process in only minutes.

TILT WARMING RACK

Each unit includes a stainless steel warming rack, it will keep the food warm and add a higher level of low temperature cooking. The Allegra stainless steel warming rack locks away on the upper position.



CAST STAINLESS STEEL BURNER

OPTIONAL CAST STAINLESS STEEL BURNER.





32" ALLEGRA GRILL

(AHT-AL-32)

- 4 MAIN BURNERS AT 15,000 BTU EACH (60,000 BTUS)
- 700 SQUARE INCHES OF TOTAL COOKING AREA (510 MAIN GRILLING AREA)
- 304 STAINLESS STEEL CONSTRUCTION
- STAINLESS STEEL BURNERS
- 304 STAINLESS STEEL COOKING GRILLS
- WARMING RACK
- TEMPERATURE GAUGE
- FLAME THROW IGNITION SYSTEM
- DOUBLE INSIDE LIGHTS
- PULL OUT GREASE TRAY
- STAINLESS STEEL FLAME TAMERS
- AVAILABLE IN LP OR NG
- OPTIONAL CAST STAINLESS BURNERS AVAILABLE
- CUTOUT DIMENSIONS: 30 1/2"W x 21"D x 9"H



32" ALLEGRA GRILL / ROTISSERIE

(AHT-AL-32R)

- 4 MAIN BURNERS AT 15,000 BTU EACH (60,000 BTUS)
- 700 SQUARE INCHES OF TOTAL COOKING AREA (510 MAIN GRILLING AREA)
- 1 BACK BURNER / WITH ROTISSERIE KIT AND MOTOR
- 304 STAINLESS STEEL CONSTRUCTION
- STAINLESS STEEL BURNERS
- 304 STAINLESS STEEL COOKING GRILLS
- WARMING RACK
- TEMPERATURE GAUGE
- FLAME THROW IGNITION SYSTEM
- DOUBLE INSIDE LIGHTS
- PULL OUT GREASE TRAY
- STAINLESS STEEL FLAME TAMERS
- AVAILABLE IN LP OR NG
- OPTIONAL CAST STAINLESS BURNERS AVAILABLE
- CUTOUT DIMENSIONS: 30 1/2"W x 21"D x 9"H



38" ALLEGRA GRILL

(AHT-AL-38)

- 5 MAIN BURNERS AT 15,000 BTU EACH (75,000 BTUS)
- 890 SQUARE INCHES OF TOTAL COOKING AREA (645 MAIN GRILLING AREA)
- 304 STAINLESS STEEL CONSTRUCTION
- STAINLESS STEEL BURNERS
- 304 STAINLESS STEEL COOKING GRILLS
- WARMING RACK
- TEMPERATURE GAUGE
- FLAME THROW IGNITION SYSTEM
- DOUBLE INSIDE LIGHTS
- PULL OUT GREASE TRAY
- STAINLESS STEEL FLAME TAMERS
- AVAILABLE IN LP OR NG
- OPTIONAL CAST STAINLESS BURNERS AVAILABLE
- CUTOUT DIMENSIONS: 38 3/4"W x 21"D x 9"H



38" ALLEGRA GRILL / ROTISSERIE

(AHT-AL-38R)

- 5 MAIN BURNERS AT 15,000 BTU EACH (75,000 BTUS)
- 890 SQUARE INCHES OF TOTAL COOKING AREA (645 MAIN GRILLING AREA)
- 1 BACK BURNER / WITH ROTISSERIE KIT AND MOTOR
- 304 STAINLESS STEEL CONSTRUCTION
- STAINLESS STEEL BURNERS
- 304 STAINLESS STEEL COOKING GRILLS
- WARMING RACK
- TEMPERATURE GAUGE
- FLAME THROW IGNITION SYSTEM
- DOUBLE INSIDE LIGHTS
- PULL OUT GREASE TRAY
- STAINLESS STEEL FLAME TAMERS
- AVAILABLE IN LP OR NG
- OPTIONAL CAST STAINLESS BURNERS AVAILABLE
- CUTOUT DIMENSIONS: 38 3/4"W x 21"D x 9"H





32" ALLEGRA GRILL

(AHT-AL32F)

- 4 MAIN BURNERS AT 15,000 BTU EACH (60,000 BTUS)
- 700 SQUARE INCHES OF TOTAL COOKING AREA (510 MAIN GRILLING AREA)
- 304 STAINLESS STEEL CONSTRUCTION
- STAINLESS STEEL BURNERS
- WARMING RACK
- TEMPERATURE GAUGE
- FLAME THROW IGNITION SYSTEM
- DOUBLE INSIDE LIGHTS
- PULL OUT GREASE TRAY
- STAINLESS STEEL FLAME TAMERS
- AVAILABLE IN LP OR NG
- OPTIONAL CAST STAINLESS BURNERS AVAILABLE
- FOUR CASTER WHEELS, TWIN SIDE SHELVES
- DOUBLE ACCESS DOORS, SOFT CLOSE HINGE SYSTEM, INSIDE SHELF



32" ALLEGRA GRILL / ROTISSERIE

(AHT-AL32FR)

- 4 MAIN BURNERS AT 15,000 BTU EACH (60,000 BTUS)
- 700 SQUARE INCHES OF TOTAL COOKING AREA (510 MAIN GRILLING AREA)
- 1 BACK BURNER / WITH ROTISSERIE KIT AND MOTOR
- 304 STAINLESS STEEL CONSTRUCTION
- STAINLESS STEEL BURNERS
- WARMING RACK
- TEMPERATURE GAUGE
- FLAME THROW IGNITION SYSTEM
- DOUBLE INSIDE LIGHTS
- PULL OUT GREASE TRAY
- STAINLESS STEEL FLAME TAMERS
- AVAILABLE IN LP OR NG
- OPTIONAL CAST STAINLESS BURNERS AVAILABLE
- FOUR CASTER WHEELS, TWIN SIDE SHELVES
- DOUBLE ACCESS DOORS, SOFT CLOSE HINGE SYSTEM, INSIDE SHELF



38" ALLEGRA GRILL

(AHT-AL38F)

- 5 MAIN BURNERS AT 15,000 BTU EACH (75,000 BTUS)
- 890 SQUARE INCHES OF TOTAL COOKING AREA (645 MAIN GRILLING AREA)
- 304 STAINLESS STEEL CONSTRUCTION
- STAINLESS STEEL BURNERS
- WARMING RACK
- TEMPERATURE GAUGE
- FLAME THROW IGNITION SYSTEM
- DOUBLE INSIDE LIGHTS
- PULL OUT GREASE TRAY
- STAINLESS STEEL FLAME TAMERS
- AVAILABLE IN LP OR NG
- OPTIONAL CAST STAINLESS BURNERS AVAILABL
- FOUR CASTER WHEELS, TWIN SIDE SHELVES
- DOUBLE ACCESS DOORS, SOFT CLOSE HINGE SYSTEM, INSIDE SHELF



38" ALLEGRA GRILL / ROTISSERIE

(AHT-AL38FR)

- 5 MAIN BURNERS AT 15,000 BTU EACH (75,000 BTUS)
- 890 SQUARE INCHES OF TOTAL COOKING AREA (645 MAIN GRILLING AREA)
- 1 BACK BURNER / WITH ROTISSERIE KIT AND MOTOR
- 304 STAINLESS STEEL CONSTRUCTION
- STAINLESS STEEL BURNERS
- WARMING RACK
- TEMPERATURE GAUGE
- FLAME THROW IGNITION SYSTEM
- DOUBLE INSIDE LIGHTS
- PULL OUT GREASE TRAY
- STAINLESS STEEL FLAME TAMERS
- AVAILABLE IN LP OR NG
- OPTIONAL CAST STAINLESS BURNERS AVAILABLE
- FOUR CASTER WHEELS, TWIN SIDE SHELVES
- DOUBLE ACCESS DOORS, SOFT CLOSE HINGE SYSTEM, INSIDE SHELF





26" ALLEGRA GRILL / ROTISSERIE (AHT-AL26F)

- 3 MAIN BURNERS AT 15,000 BTU EACH (45,000 BTUS)
- 565 SQUARE INCHES OF TOTAL COOKING AREA (408 MAIN GRILLING AREA)
- 304 STAINLESS STEEL CONSTRUCTION
- STAINLESS STEEL BURNERS
- WARMING RACK
- TEMPERATURE GAUGE
- FLAME THROW IGNITION SYSTEM
- DOUBLE INSIDE LIGHTS
- PULL OUT GREASE TRAY
- STAINLESS STEEL FLAME TAMERS
- AVAILABLE IN LP OR NG
- OPTIONAL CAST STAINLESS BURNERS AVAILABLE
- FOUR CASTER WHEELS, TWIN SIDE SHELVES
- ACCESS DOOR, SOFT CLOSE HINGE SYSTEM



SINGLE SIDE BURNER DROP-IN (AHT-DISSB)

One 12,000 BTU burner
 304 Stainless Steel Construction.
 Easy to light push button electronic ignition.
 Matching protective stainless steel cover.
 Available for built-in models.
 Removable, heavy duty 304 Stainless Steel
 Constructed grate, for easy cleanup and durability.



WARMING DRAWER (AHT-AL-WD-30)

Serve a hot meal every time, with the help of our 110 volt electric warming drawer, a great addition to any outdoor kitchen.



MEDALLION SERIES

Enhance your built-in BBQ island with these built-in fine accessories. All stainless steel used on LUXOR accessories are 304 stainless steel.



Double Door (AHT-ADM-30)
CUT OUT SIZE: 28 1/4"W x 19 1/4"H

Double Door (AHT-ADM-36)
CUT OUT SIZE: 34 1/4"W x 19 1/4"H

Double Door (AHT-ADM-42)
CUT OUT SIZE: 40 1/4"W x 19 1/4"H



Single Door (AHT-ADM-1724-HR)
CUT OUT SIZE: 24 1/4"W x 17 1/4"H

Single Door (AHT-ADM-1724-HL)
CUT OUT SIZE: 24 1/4"W x 17 1/4"H

Single Door (AHT-ADM-1420-HR)
CUT OUT SIZE: 20 1/4"W x 14 1/4"H

Single Door (AHT-ADM-1420-HL)
CUT OUT SIZE: 20 1/4"W x 14 1/4"H



Single Door (AHT-ADM-2417-VR)
CUT OUT SIZE: 17 1/4"W x 24 1/4"H

Single Door (AHT-ADM-2417-VL)
CUT OUT SIZE: 17 1/4"W x 24 1/4"H

Single Door (AHT-ADM-2014-VR)
CUT OUT SIZE: 14 1/4"W x 20 1/4"H

Single Door (AHT-ADM-2014-VL)
CUT OUT SIZE: 14 1/4"W x 20 1/4"H



Single Door (AHT-ADM-2121-R)
CUT OUT SIZE: 19 1/2"W x 19 1/2"H

Single Door (AHT-ADM-2121-L)
CUT OUT SIZE: 19 1/2"W x 19 1/2"H

All Medallion Luxor accessories have polished handles and edges.

All Medallion Luxor accessories are equipped with Easy-Slide tracks.



EXTRA LARGE SINGLE STORAGE DRAWER (AHT-M-1D-30)
CUT OUT SIZE: 28 1/2"W x 14 1/2"H x 23 1/4"D



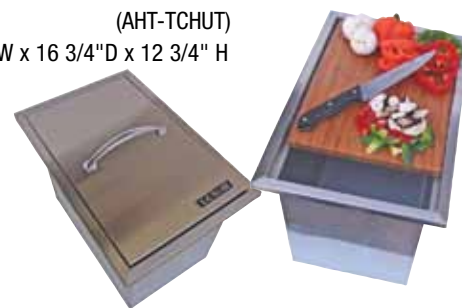
EXTRA LARGE SINGLE STORAGE DRAWER (AHT-M-1D-42)
CUT OUT SIZE: 40 1/2"W x 14 1/2"H x 23 1/4"D



PAPER TOWEL AND TRASH PULLOUT COMBO (AHT-M-PTTS)
CUT OUT SIZE: 14 1/2"W x 29 1/2"H x 15 1/4"D



TRASH CHUTTE (AHT-TCHUT)
CUT OUT SIZES: 10 3/4"W x 16 3/4"D x 12 3/4" H



Trash Pull-Out Open top (AHT-MTS- OT)
CUT OUT SIZE: 14 1/2"W x 22 1/2"H x 15 3/4" D





MEDALLION SERIES

Enhance your built-in BBQ island with these built-in fine accessories. All stainless steel used on LUXOR accessories are 304 stainless steel.

Door Drawer Combo (AHT-M-COMBO-30)
CUT OUT SIZE: 28 1/2"W x 19 1/2"H x 23 1/4"D



Single Drawer (AHT-M1D-L)
CUT OUT SIZE: 28 1/2"W x 28 1/2"D x 3 3/4"H



Double Drawer (AHT-M2D)
CUT OUT SIZE: 11 1/2"W x 19 1/2"H x 19"D



Pantry Storage Combo (AHT-M-COMBO-42)
CUT OUT SIZE: 40 1/2"W x 19 1/2"H x 23 1/4"D



Triple Drawer (AHT-M-3D)
CUT OUT SIZE: 14 1/2"W x 29 1/2"H x 15 1/4"D



Trash Pull-Out (AHT-MTS)
CUT OUT SIZE: 14 1/2"W x 22 1/2"H x 15 3/4" D



Paper Towel Holder (AHT-MPTH)
CUT OUT SIZE: 14 1/2"W x 8 1/2"H x 7"D





Enhance your built-in bbq island with these built-in fine accessories.
All stainless steel used on LUXOR accessories are 304 stainless steel.

SLIMLINE SERIES



DOUBLE DOOR 30" (AHT-ADB-30)
CUT OUT SIZE: 30 1/4"W x 19 1/4"H



DOUBLE DOOR 36" (AHT-ADB-36)
CUT OUT SIZE: 33 1/4"W x 19 1/4"H



DOUBLE DOOR 42" (AHT-ADB-42)
CUT OUT SIZE: 42 1/4"W x 19 1/4"H



SINGLE DOOR 24" VERTICAL
(AHT-ADB-2417-VL) Left Handle
(AHT-ADB-2417-VR) Right Handle
CUT OUT SIZE: 17 1/4"W x 24 1/4"H



SINGLE DOOR 20" VERTICAL
(AHT-ADB-2014-VR) Right Handle
(AHT-ADB-2014-VL) Left Handle
CUT OUT SIZE: 14 1/4"W x 20 1/4"H



SINGLE DOOR 24" HORIZONTAL
(AHT-ADB-1724-HR) Right Handle
(AHT-ADB-1724-HL) Left Handle
CUT OUT SIZE: 24 1/4"W x 17 1/4"H



SINGLE DOOR 20" HORIZONTAL
(AHT-ADB-1420-HR) Right Handle
(AHT-ADB-1420-HL) Left Handle
CUT OUT SIZE: 20 1/4"W x 14 1/4"H

TRASH CHUTTE (AHT-TCHUT)
CUT OUT SIZES: 10 3/4"W x 16 3/4"D x 12 3/4" H



TRASH CAN HOLDER OPEN TOP (AHT-TS-S-OT)
SMALL
CUT OUT SIZE: 15 1/4"W x 20 3/4"H x 16 1/2"D



TRASH CAN (AHT-TC-1)
SMALL
304 Stainless Steel Small Trash Can



ISLAND UMBRELLA HOLDER
3"W X 3"W X 5 3/4" H (AHT-IUS)
Inside Diameter = 1 5/8"



ISLAND UMBRELLA HOLDER
4"W X 4"W X 5 3/4" H (AHT-IUS-4)
Inside Diameter = 2 1/8"

ISLAND VENT 4" H x 16 W (AHT-IVENT)



SPICE RACK (AHT-SRACK-1)
16"W X 4"H X 3 3/4"D





Enhance your built-in bbq island with these built-in fine accessories.
All stainless steel used on LUXOR accessories are 304 stainless steel.

SLIMLINE SERIES



TANK / TRASH CAN HOLDER
LARGE (AHT-B1D-DH)
Cut out size: 18"W x 24 1/2"H x 23 1/4"D



TRASH CAN HOLDER
SMALL (AHT-TS-S)
Cut out size: 15 1/4"W x 20 3/4"H x 16 1/2"D



PAPER TOWEL HOLDER
(AHT-PTH)
Cut out size: 14 1/2"W x 8 1/2"H x 6"D



DOOR DRAWER COMBO
(AHT-COMBO-30)
Cut out size: 30 3/4"W x 19 3/4"H x 17 1/2"D



ICE CHEST/COOLER DRAWER (AHT-ICDW-30)
Cut out size: 28 3/8"W x 18"H x 20 3/4"D
Keep cold drinks at your fingertips, with this easy accessible ice chest drawer with ample storage space.



SINGLE DRAWER DOUBLE HEIGHT
(AHT-B1D-DH)
Cut out size: 18" W x 13" H x 23 1/4" D



SINGLE DRAWER (AHT-B1D)
Cut out size: 18" W x 6 1/2" H x 23 1/4" D



DOUBLE DRAWER (AHT-B2D)
Cut out size: 18"W x 13"H x 23 1/4"D



TRIPLE DRAWER (AHT-B3D)
Cut out size: 18"W x 24 1/2"H x 23"D



VINYL COVERS

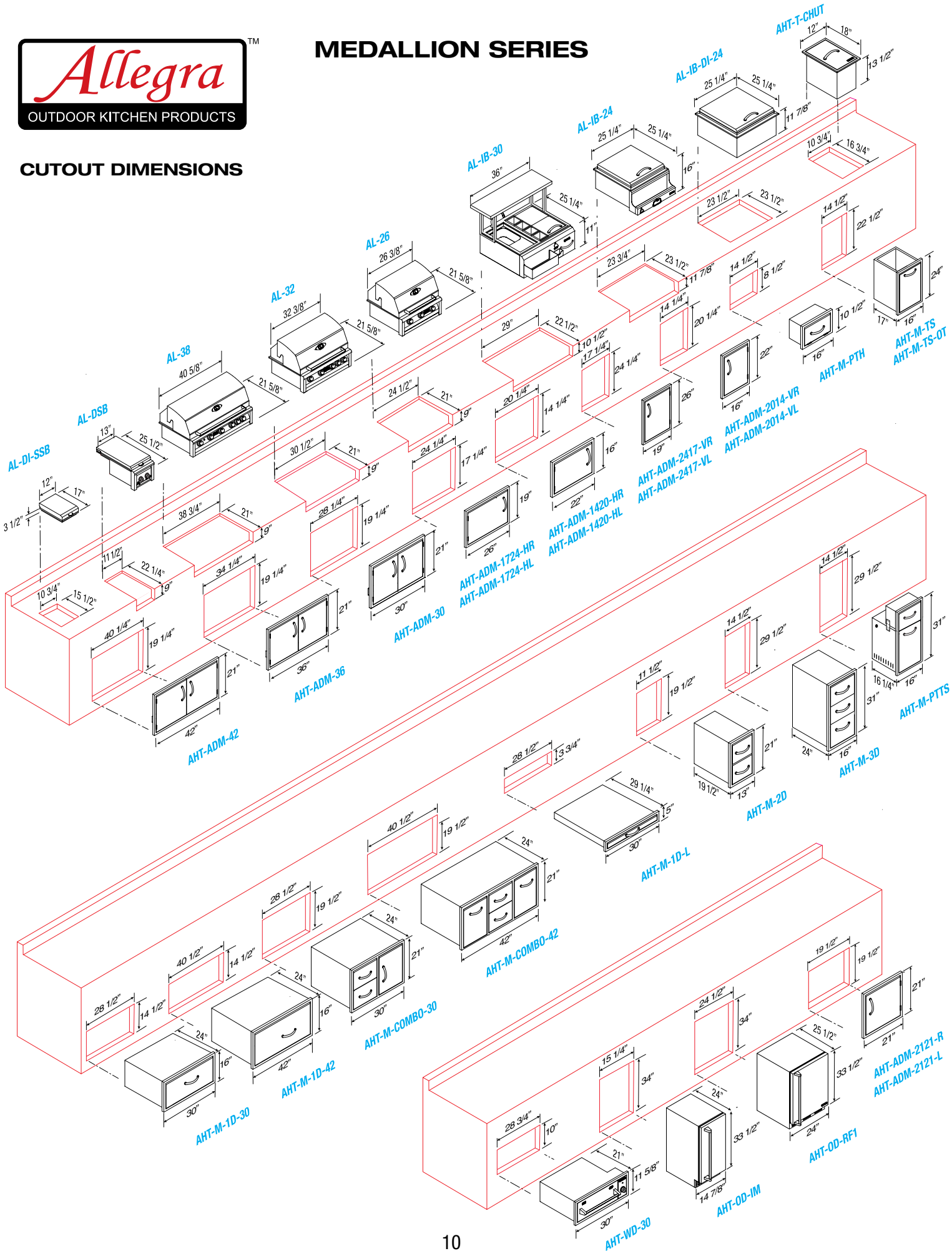
Protect your ALLEGRA Grill with this heavy duty, weather resistant, vinyl cover.



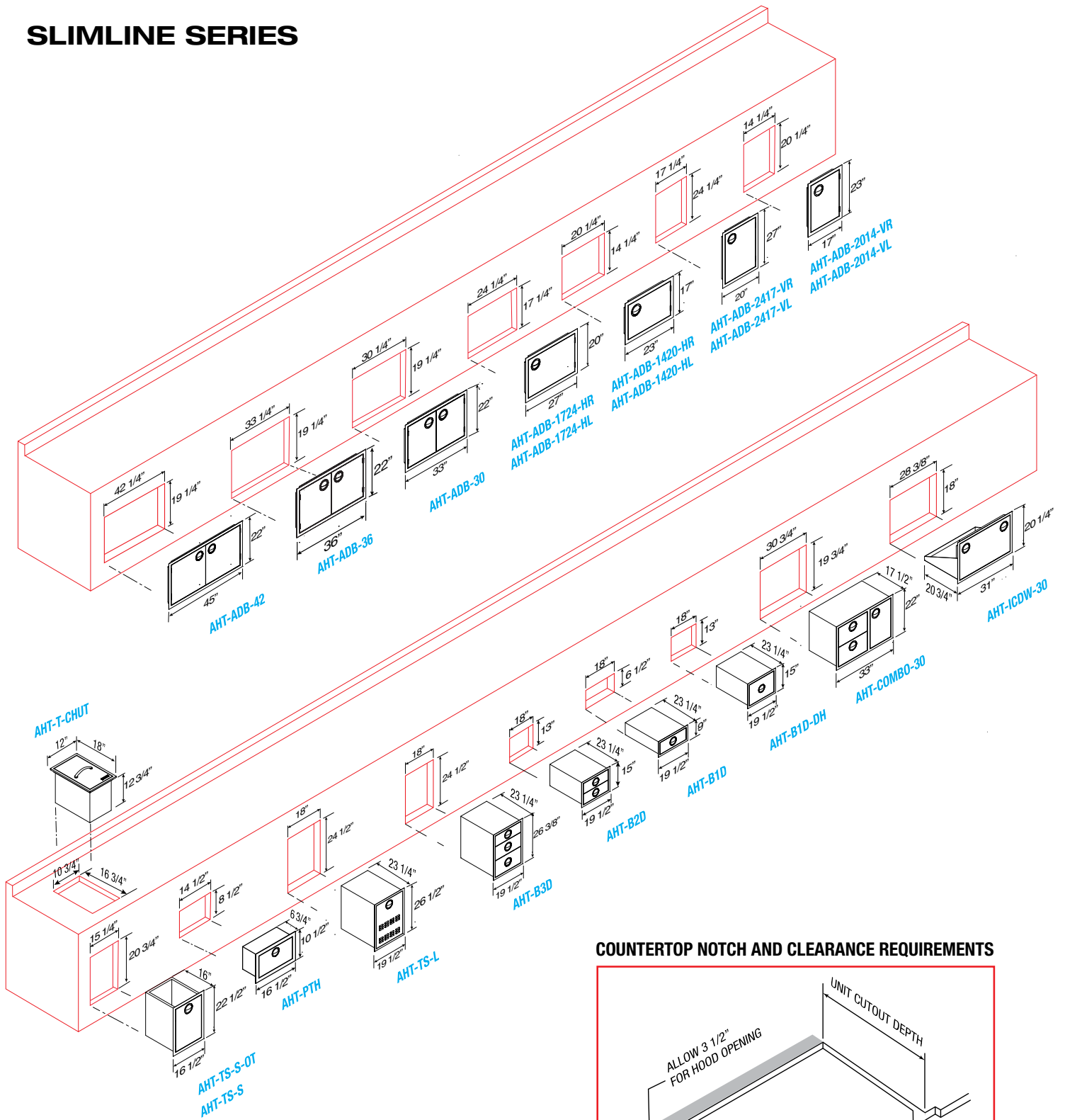


MEDALLION SERIES

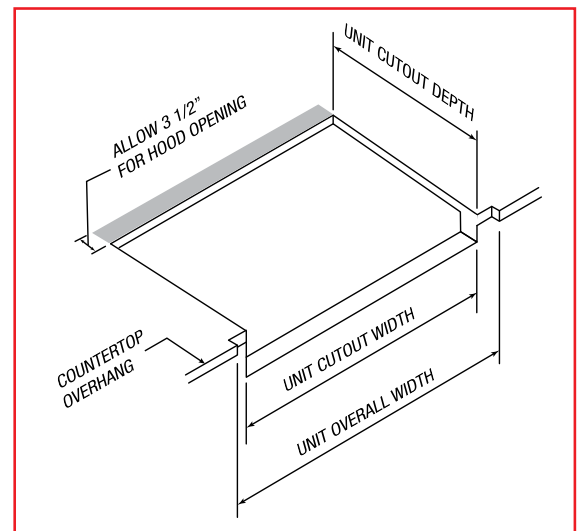
CUTOUT DIMENSIONS



SLIMLINE SERIES



COUNTERTOP NOTCH AND CLEARANCE REQUIREMENTS



American Heating Technologies Inc. reserves the right to change the specifications, materials and design of products without notification.

DESIGN



DETAIL



QUALITY



CONTROL



AMERICAN HEATING TECHNOLOGIES, Inc.
501 W. Glenoaks Blvd. #125, Glendale, CA 91202
www.AllegraGrills.com
www.AmericanHeatingTechnologies.com

Tel: 877-4GRILLING (877-447-4554)
Tel: 818-240-8202
Fax: 818-240-8302