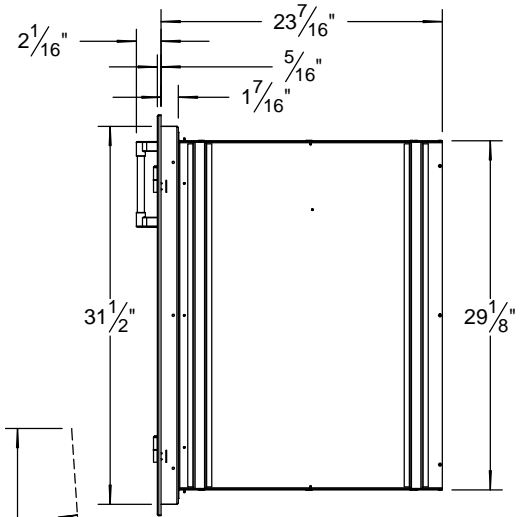
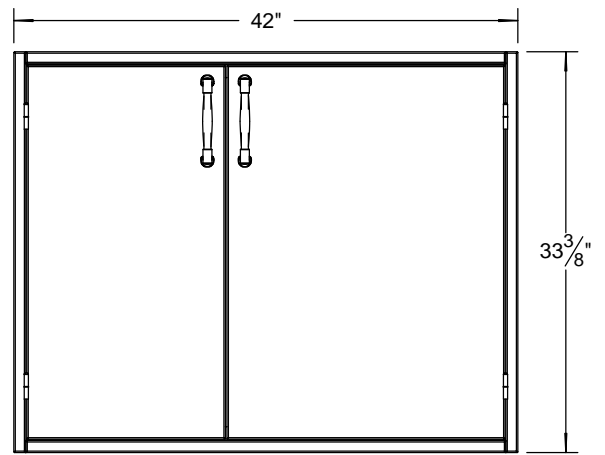
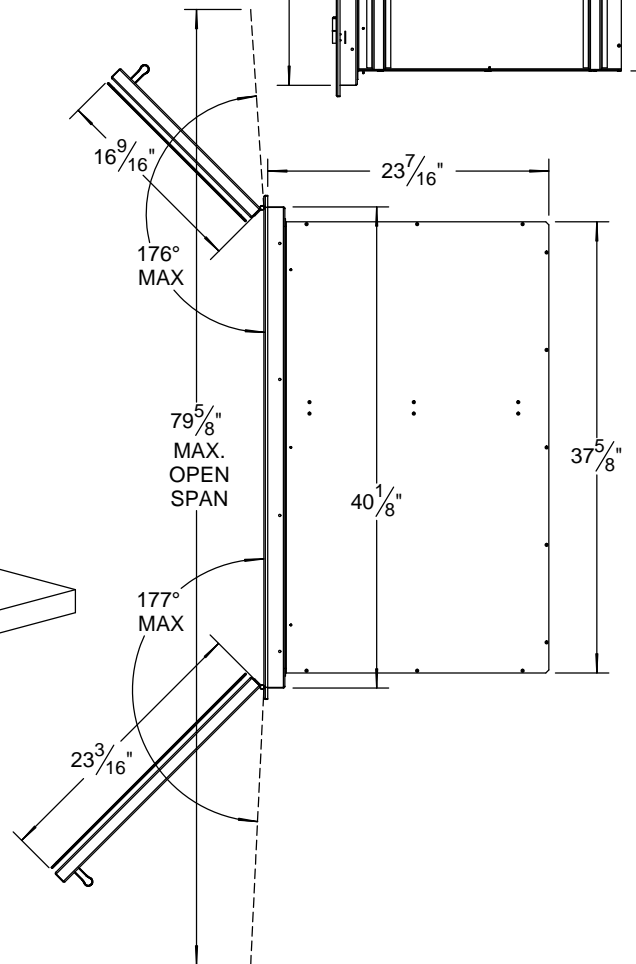
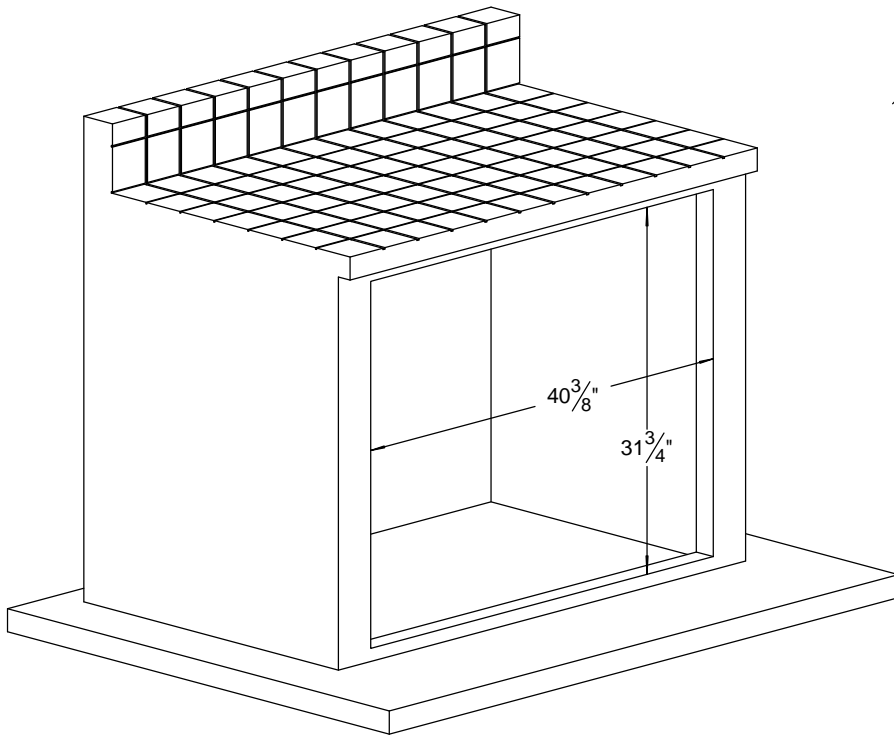


**AXEDSP-42H TYPICAL INSTALLATION**



**COUNTER FRONT CUTOUT REQUIREMENTS**



**Alfresco**

SUPERIOR EQUIPMENT SOLUTIONS  
7039 EAST SLAUSON AVENUE  
COMMERCE, CA. 90040

THE INFORMATION CONTAINED IN THIS DRAWING IS THE SOLE PROPERTY OF SUPERIOR EQUIPMENT SOLUTIONS INC. ANY REPRODUCTION IN PART OR AS A WHOLE WITHOUT WRITTEN PERMISSION FROM SUPERIOR EQUIPMENT SOLUTIONS, INC. IS PROHIBITED.

**DRAWN BY: JORGE PELAYO**  
**CREATED: 09/0/2015**

**PROJECT TITLE: AXEDSP-42H**

**DRAWING TITLE:**

**AXEDSP-42H SPECIFICATION SHEET**

**DRAWING NO.:**

**AXEDSP-42H SPEC SHEET**