

GRILL
BETTER!



American Outdoor Grill® Product Specifications

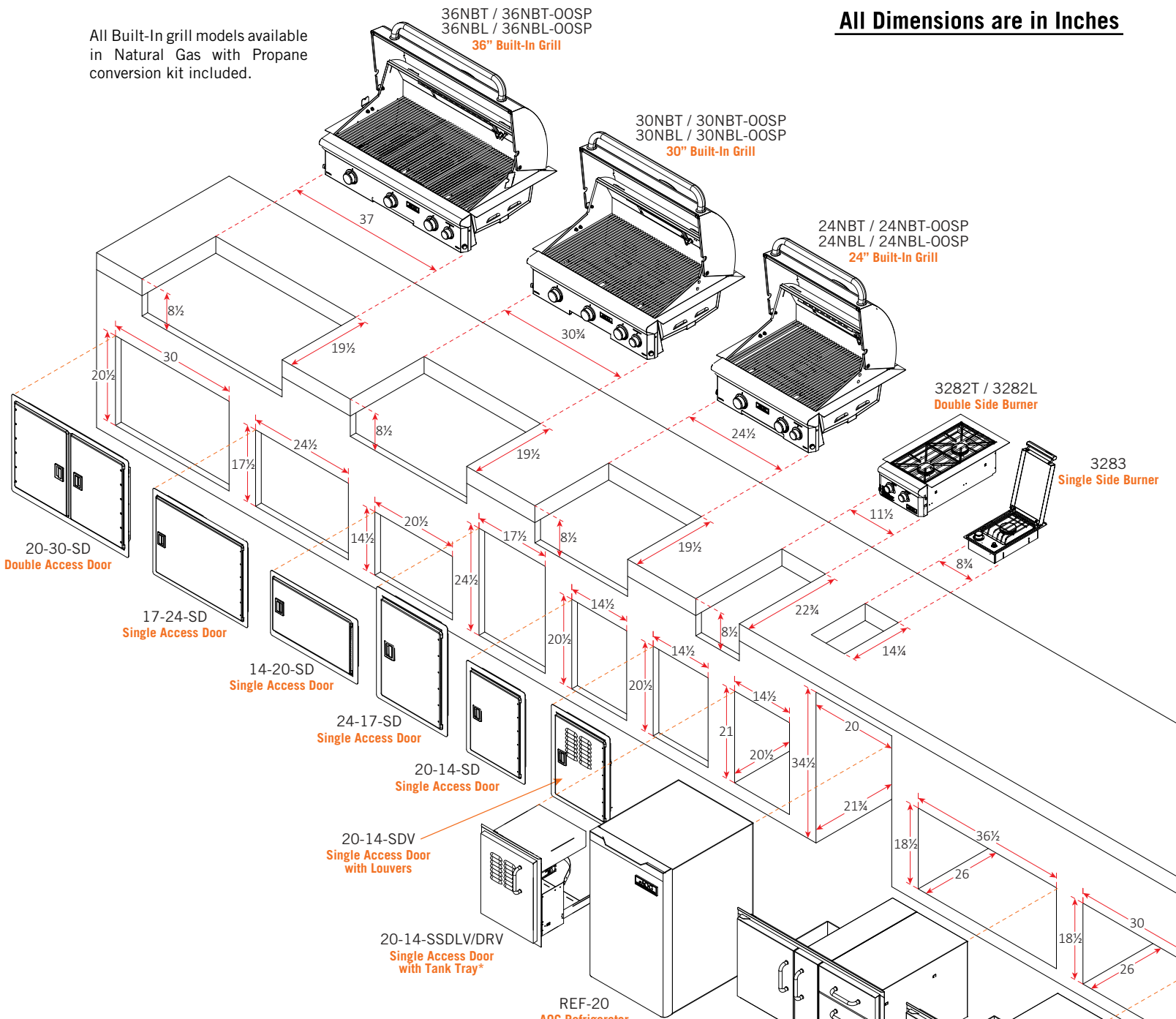


AMERICAN OUTDOOR GRILL® - PRODUCT SPECIFICATIONS - 2015

CRAFTED WITH PRIDE  IN THE USA

RH  PETERSON co.

All Built-In grill models available in Natural Gas with Propane conversion kit included.



ADDITIONAL ACCESS DOORS (not shown)

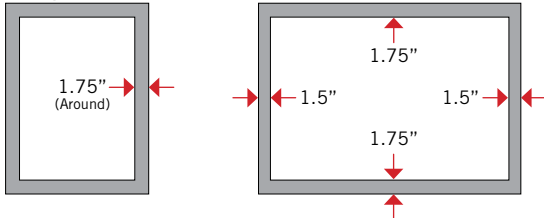
Model	Description	Cut-out
12-18-SD	Single access door w/black slam latches	12 1/2" h x 18 1/2" w
18-12-SD	Single access door w/black slam latches	18 1/2" h x 12 1/2" w
14-20-SSDL/DR	Single access door w/tubular handles*	15" h x 20 1/2" w
20-14-SSDL/DR	Single access door w/tubular handles*	21" h x 14 1/2" w
16-39-SSD	Double access door w/tubular handles	16" h x 39" w

*Available with left or right hinge

Overlap Dimensions / Doors w/black slam latches

Single Doors

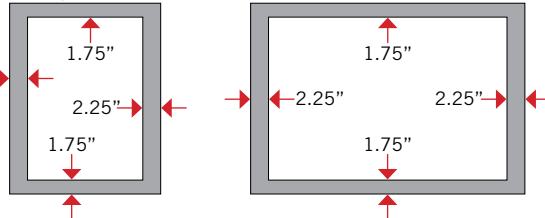
Double Doors

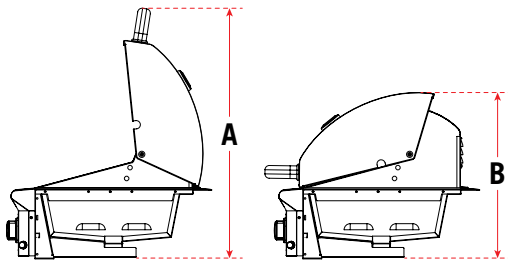


Overlap Dimensions / Doors w/tubular handles

Single Doors

Double Doors





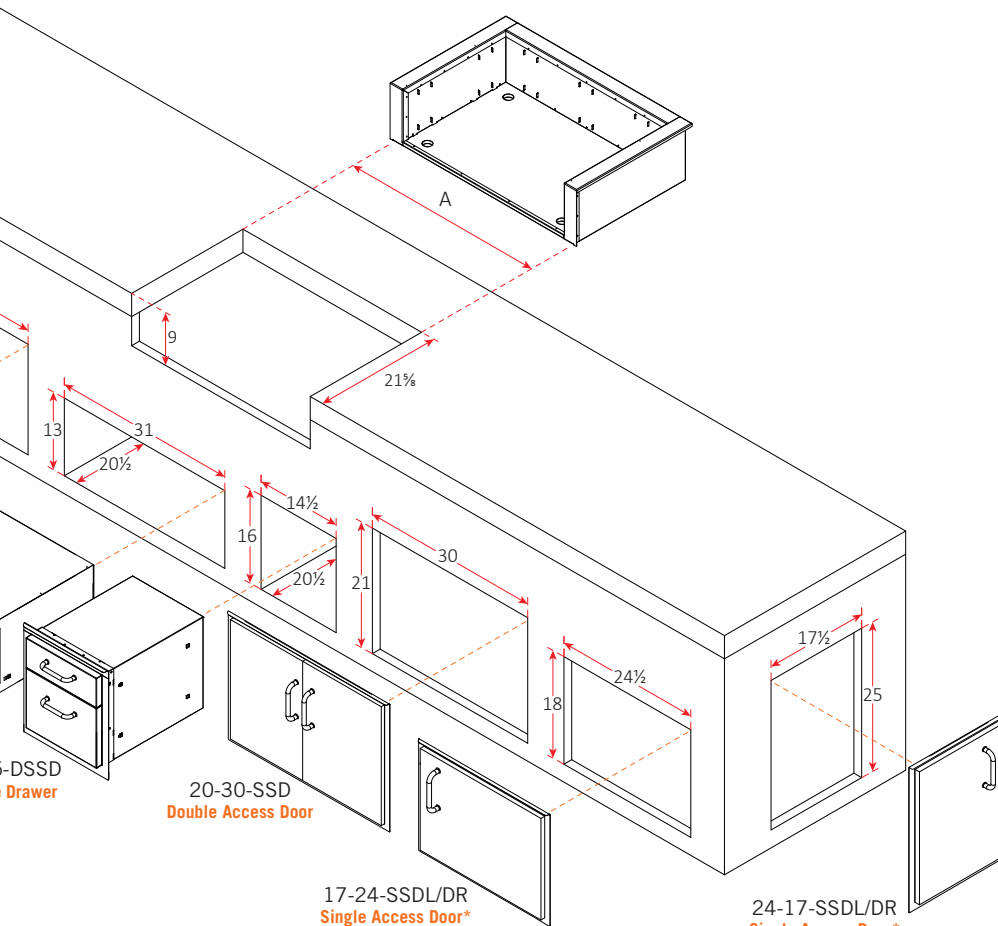
Built-In Grills Height Dimensions

Description	Hood Open (A)	Hood Closed (B)
24NBT/24NBL	30½"	20"
30NBT/30NBL	30½"	20"
36NBT/36NBL	30½"	20"

Grill Insulating Liners

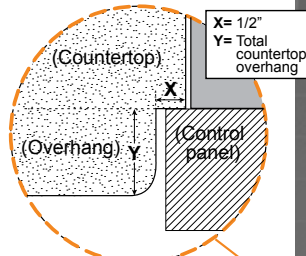
(must be used when installing in a combustible island)

Model	Description	"A" Cut-out
24-IL-B	24" Grill Insulating Liner	28 ⅝"
30-IL-B	30" Grill Insulating Liner	34 ⅝"
36-IL-B	36" Grill Insulating Liner	40 ⅝"

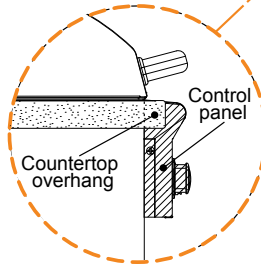


*Available with left or right hinge

TOP VIEW

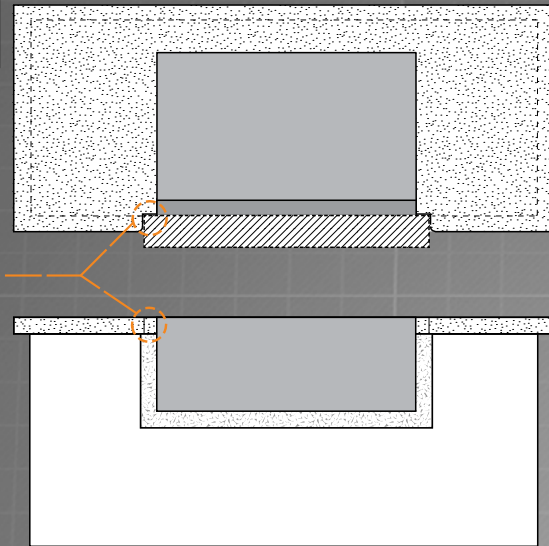


SIDE VIEW



ISLAND COUNTERTOP OVERHANG

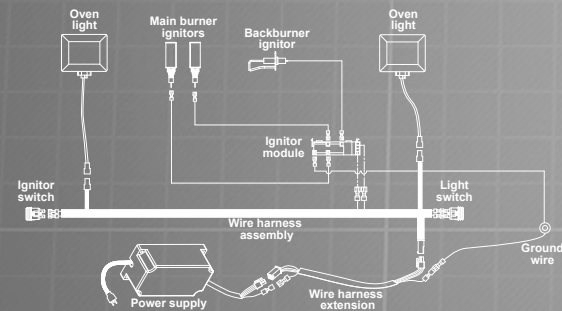
The control panel is designed to sit flush against the enclosure front wall. If the enclosure countertop extends beyond the front wall, creating a countertop overhang, it must be cut flush with the front wall for the width of the control panel or a gap will be created exposing the forward portions of the left and right side grill fire walls. See illustrations below.



"L" SERIES ELECTRICAL SPECIFICATIONS

- "L" Series grills require 120VAC power to operate
- Power supply rating - 120VAC / 0.3A / 60 Hz
- Oven lights rating - 12V / 10 watt halogen bulb

"L" SERIES BUILT-IN GRILL WIRING DIAGRAM*



* 24" model shown. Model wire vary between models, a wire diagram specific to each unit can be found affixed to the inside of the control panel.

OUTDOOR KITCHEN CONSIDERATIONS

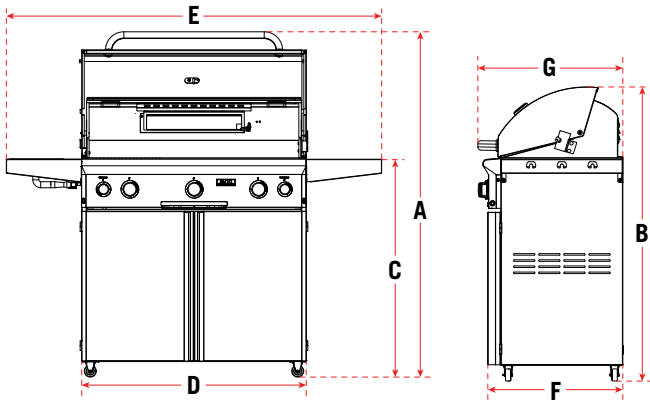
- Carefully consider grill size & accessories needed
- Combustible construction requires insulating liner
- Select Natural or Propane (LP gas)
- Determine total gas consumption for supply line size
- Access required to gas connections and shut off valve
- Plan location of propane tank away from grill and appliances
- Always refer to the installation and operating instructions of your American Outdoor Grill® and/or accessories for installation guidelines & safety warnings before starting your project
- Always check all gas connections for leaks
- Provide ventilation in island for gas vapors. Allow at least four ventilation openings (two at floor level and two 16" above floor 10 in² each) at opposing ends/sides

LOCATION

- Identify outdoor area where grill will be installed
- Determine the utilities needed (gas, water, electricity, drainage etc.)
- Consider element exposure (sun, wind direction, weather etc.)

MATERIALS

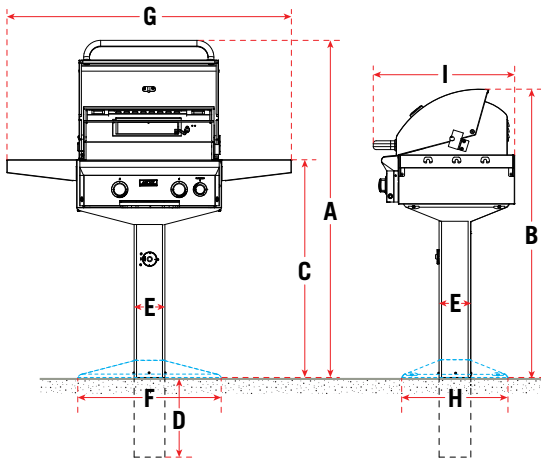
- Foundation - concrete
- Base - brick, stone, stucco, concrete
- Counter top - tile, granite, marble, concrete



PORTABLE GRILLS SPECIFICATIONS

Grill Model	Height			Width		Depth	
	Hood Open (A)	Hood Closed (B)	Floor to Top of Shelf (C)	Cart Base (D)	Shelf to Shelf (E)	Cart Base (F)	Max. Outer (G)
24PCT/24PCL	59"	48½"	37"	25"	50"	22¼"	24¾"
30PCT/30PCL	59"	48½"	37"	31"	56"	22¼"	24¾"
36PCT/36PCL	59"	48½"	37"	37¼"	62¼"	22¼"	24¾"

All Portable grill models available in Natural or Propane gas. (Natural Gas change the "P" in the model number to an "N").



POST / IN-GROUND MOUNT GRILLS SPECIFICATIONS

Grill Model	Height*				Width			Depth	
	Hood Open (A)	Hood Closed (B)	Floor to Top of Shelf (C)	Floor to bottom of extension below ground (D)	Post (E)	Post Base (F)	Shelf to Shelf (G)	Post Base (H)	Max. Outer (I)
24NGT/24NGL	59"	48½"	36½"	18"	5½"	-	51"	-	24¾"
24NPT/24NPL	59"	48½"	37"	-	5½"	26"	51"	18½"	24¾"

*In-Ground Mount grill height dimensions are approximate from ground level once installed.

Post / In-Ground mount grill models available in Natural Gas with Propane conversion kit included.

AMERICAN OUTDOOR GRILL® WARRANTY HIGHLIGHTS

FIFTEEN YEAR WARRANTY

American Outdoor Grill® stainless steel burners are warranted for **Fifteen (15)** years.

TEN YEAR WARRANTY

All other American Outdoor Grill® parts (excluding ignition systems, accessories, infrared burner, and vaporizer panels) are warranted for **Ten (10)** years.

THREE YEAR WARRANTY

Infrared burners and vaporizer panels are warranted for **Three (3)** years.

ONE YEAR WARRANTY

Ignition systems (excluding batteries) and accessories (including side burners, motors, and thermometers) are warranted for **One (1)** year.

AMERICAN OUTDOOR GRILL® RESERVES THE RIGHT TO AMEND PRODUCT SPECIFICATIONS WITHOUT PRIOR NOTICE.

The information provided in this document is for reference purposes only. Detailed instructions & specifications unique to the product purchased can be found in the Owner's Manual. Read those instructions carefully and completely before attempting installation of any American Outdoor Grill® products.

