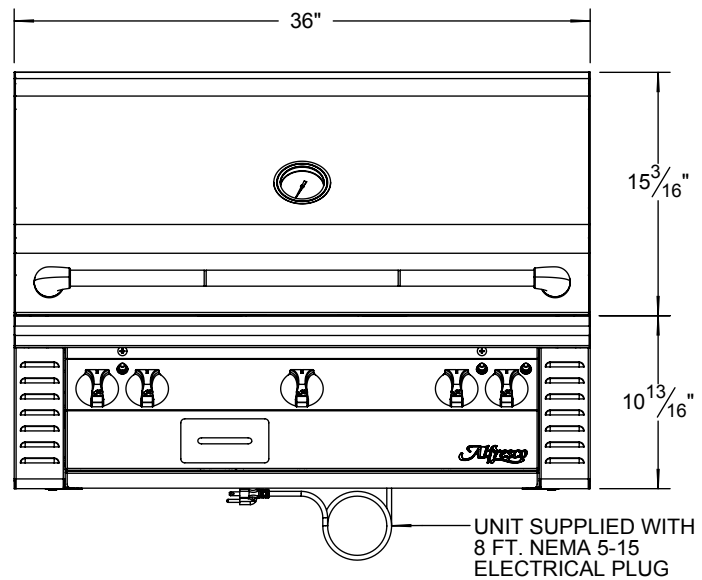
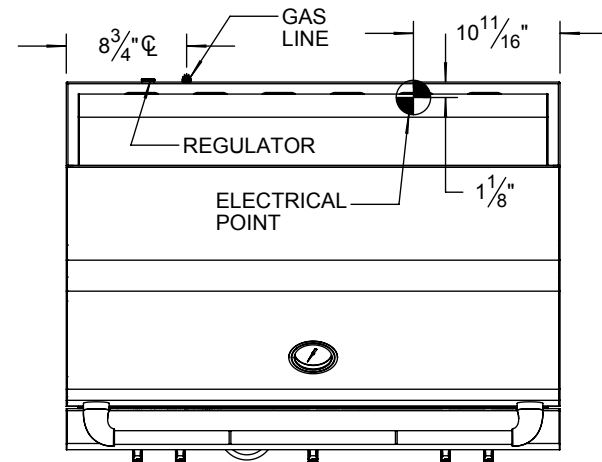
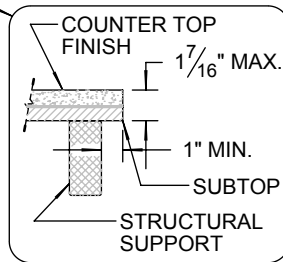
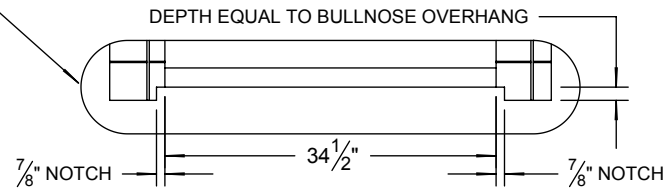
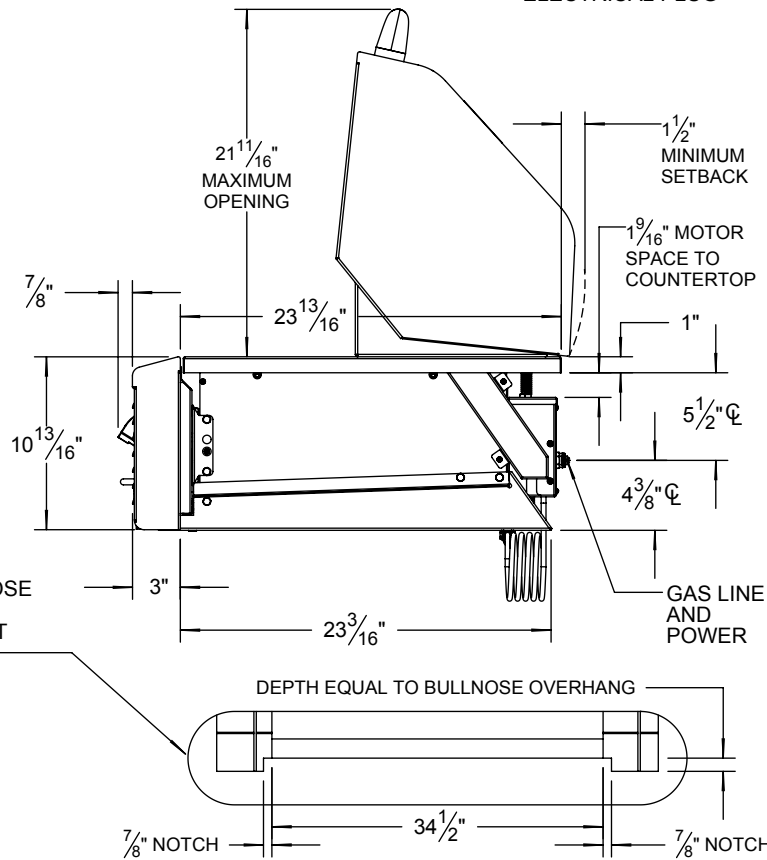
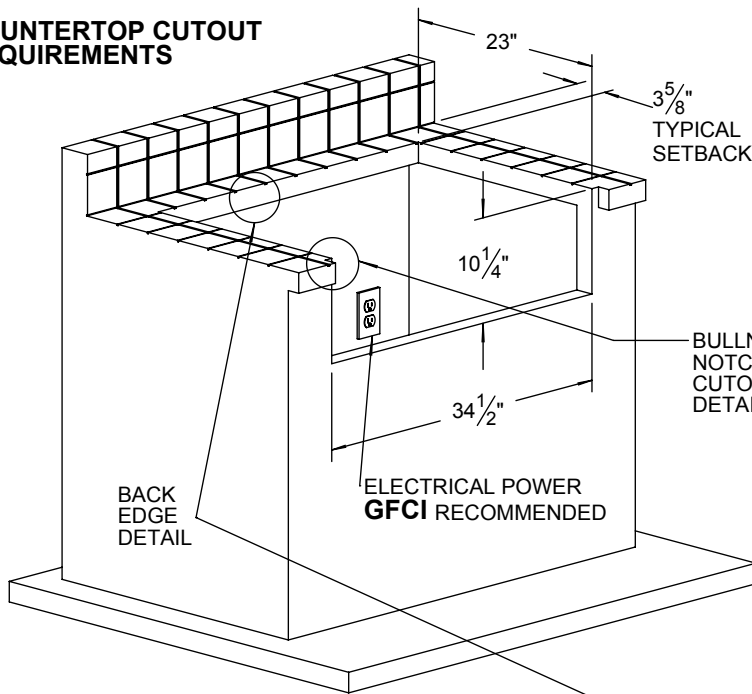


TYPICAL ALX2-36 / 36 SZ INSTALLATION



COUNTERTOP CUTOUT REQUIREMENTS



NOTE:

- CUTOUT SHOWN FOR NON - COMBUSTIBLE CONSTRUCTION ONLY. OTHERWISE USE OF AIJ-36 INSULATING JACKET IS REQUIRED.
- COUNTER MUST HAVE PROPER GAS AND POWER SUPPLIES FOR YOUR ALFRESCO BBQ.

SPECIFICATIONS:

BTUH = 108,000
 FUEL = NG @ 5" W.C. OR LP @ 10" W.C.
 ELECTRICAL POWER = 115 VAC / 1.44 AMPS / 60 Hz.
 GAS CONNECTION - 1/2" NPT (NG) OR 3/8" ODF (LP)