



32, 32R, 38, 38R GAS GRILL

**INSTALLATION, MAINTENANCE, OPERATING INSTRUCTIONS
AND OWNERS MANUAL**

CONGRATULATIONS
ON YOUR NEW GAS GRILL



PLEASE RETAIN THESE INSTRUCTIONS FOR FUTURE REFERENCE.

AMERICAN HEATING TECHNOLOGIES INC.

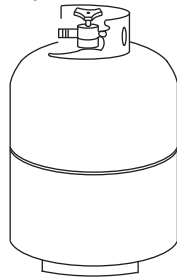
TABLE OF CONTENTES

SAFETY PRECAUTIONS.....	3,4,5
LEAK TESTING.....	5
LOCATING THE GRILL.....	6
GAS CONNECTIONS.....	7,8,9
IDENTIFICATION.....	10
BURNER ADJUSTMENTS.....	11
BURNER MAINTENANCE & CLEANING.....	12,13,14
LIGHTING INSTRUCTIONS.....	15
MATCH LIGHTING.....	16
USING THE GRILL.....	17,18
USING THE ROTISSERIE.....	18
USING THE LIGHTS	19
ELECTRICAL CONNECTION.....	20
SERVICE INFORMATION.....	21
CONVERSIONS.....	22
BREAK DOWN.....	23
WARRANTY.....	24,25

WARNING: FOR OUTDOOR USE ONLY.
 This appliance is designed for outdoor use only and must not be installed on or in recreational vehicles and / or boats.

**NEVER USE A RUSTY OR DENTED PROPANE TANK.
 SHUT OFF TANK WHEN NOT IN USE.**

DO NOT STORE A SPARE GAS CYLINDER WITHIN 15 FEET OF OR UNDER THIS GAS GRILL OR ANY OTHER OPEN FLAME, HEAT PRODUCING APPLIANCE OR HEAT SOURCE. FAILURE TO FOLLOW THESE INSTRUCTIONS CAN RESULT IN PROPERTY DAMAGE OR A FIRE CAUSING DEATH OR SERIOUS INJURY. DO NOT ALLOW YOUR LP GAS CYLINDER TO BE FILLED BEYOND ¾ FULL.



SAFETY PRECAUTIONS

FOR YOUR SAFETY

Do not use this appliance in a space where gasoline or other liquids having flammable vapors are used or stored.

WARNING: FOR OUTDOOR USE ONLY.

WARNING

If you smell gas:

- Step 1: Shut off gas to the appliance.
- Step 2: Extinguish any open flame.
- Step 3: Open lid.
- Step 4: If odor continues, immediately call your gas supplier.

WARNING

Do not try lighting this Appliance without reading the "LIGHTING INSTRUCTIONS" section of the manual.

TESTED IN ACCORDANCE WITH ANSI Z21.58a-1998 STANDARD FOR OUTDOOR COOKING GAS APPLIANCES.

THIS GRILL IS FOR OUTDOOR USE ONLY. THIS OUTDOOR COOKING APPLIANCE IS NOT INTENDED TO BE INSTALLED IN OR ON RECREATIONAL VEHICLES AND OR BOATS.

Check your local building codes for the proper method of installation. In the absence of local codes, this unit should be installed in accordance with the National Fuel Gas Code number ANSI Z223.1 and the National Electric Code ANSI/NFPA No.70

CALIFORNIA PROPOSITION 65 - WARNING

The burning of gas cooking fuel generates toxic by-products, which are on the list of substances which are known by the State of California to cause cancer or reproductive harm. California law requires businesses to warn customers of potential exposure to such substances. To minimize exposure to these substances, always operate this unit according to the use and care manual, ensuring you provide good ventilation when cooking with gas. This warning is issued pursuant to California Health & Safety Code Sec.25249.6

WARNING

Improper alteration, installation, adjustment, maintenance or service can cause injury property damage or death. Read maintenance installation, and operating instructions thoroughly before installing or servicing this equipment.

PLEASE RETAIN THESE INSTRUCTIONS FOR FUTURE REFERENCE.

SAFETY PRACTICES & PRECAUTIONS

- 1) NEVER LEAVE THE GRILL UNATTENDED WHILE COOKING.
- 2) WHEN IN USE, PORTIONS OF THE GRILL ARE HOT ENOUGH TO CAUSE SEVERE BURNS.
- 3) All service on this grill should be performed by a qualified technician.
- 4) Never use natural gas in a unit designed for liquid propane or vice versa.
- 5) Children should not be unattended or alone in an area where a grill is located. Place your grill well away from areas where children play. Do not store items that may interest children in or around the grill, in the cart or masonry enclosure. When in use, portions of the grill are hot enough to cause severe burns.
- 6) Have an ABC Fire Extinguisher accessible - never attempt to extinguish a grease fire with water or other liquids.
- 7) Insure that the gas supply hose is free of kinks and at least 3" away from hot surfaces.
- 8) Do not heat unopened food containers as a build-up of pressure may cause the container to burst.
- 9) Never store additional or empty propane cylinders in the grill cabinet or around the grill. Do not store propane cylinders indoors or on their sides.
- 10) Do not use aluminum foil to line drip pans or grill racks. This will change combustion airflow or trap excessive heat in the control area. This can result in melted knobs and melted igniters.
- 11) Whenever the grill burners have been removed, follow the installation instructions.
- 12) Avoid wearing long sleeves or loose-fitting garments while using the grill. Never touch the grill racks, hood or immediate surrounding metal surfaces with your bare hands as these areas become extremely hot during use and could cause burns. Use an insulated glove or mitt when opening and operating the grill. Open grill lid slowly to allow heat and smoke to escape before fully opening. Never lean over hot grill surface or look directly into the grill when attempting to light.
- 13) The grill hood must be fully opened when lighting.
- 14) Never use charcoal in the grill. Never operate the grill in a windy area, if windy conditions exist, install a suitable windbreak.
- 15) Cooking excessively fatty meats and other such products will cause flare-ups. Internal fires or damage caused by flare-ups or the grill being left unattended while cooking, are not the responsibility of AMERICAN HEATING TECHNOLOGIES INC. and any resulting damage is not covered under the terms and conditions of our Warranty.
- 16) Grease is extremely flammable. Let hot grease cool down before attempting to handle or dispose of it. The drip tray should be cleaned of grease on regular basis.
- 17) Always adhere to the required clearances from combustibles as detailed. The grill is designed for outdoor use only. Never operate in a garage, building, shed, breeze way or other enclosed area.
- 18) Never grill without the drip pan in place. The drip pan must be pushed all the way to the back of the grill. Without the drip pan in place, hot grease could leak downward and produce a fire explosion hazard.
- 19) Store your grill in a well-ventilated area. Remove the LP cylinder, if so equipped, and store it outdoors in a well-ventilated area away from heat and away from where children may tamper with it.

SAFETY PRACTICES & PRECAUTIONS

- 20) If the grill is installed by a professional installer or technician, be sure that they show you where your gas supply shut-off is located. All gas lines must have a shut-off that is readily and easily accessible. If you smell gas, check for gas leaks immediately. Check only with a soap and water solution. NEVER CHECK FOR GAS LEAKS WITH AN OPEN FLAME.
- 21) Keep any electrical supply cord away from any heated surface. Electrical cords should be placed away from walkways to avoid tripping hazard.
- 22) Do not use this unit until a leak check has been performed.
- 23) Do not move grill while hot or in use.
- 24) Do not operate this unit under the influence of drugs, heavy medication, or alcohol.
- 25) Do not lean on shelves or place more than 25 pounds on a side shelf.
- 26) If any burner does not light or goes out during operation, turn off all gas control knobs with hood open and wait (5) minutes before attempting to re-light.

LEAK TESTING

NOTE: NEVER USE GRILL WITHOUT LEAK TESTING

HOW TO PERFORM A LEAK TEST:

- A) Create a soapy solution of half water and half dishwashing detergent.
- B) Make sure that all control knobs are in the off position.
- C) Turn on fuel supply. Turn cylinder valve knob counter clockwise (right to left) one rotation.
- D) Apply soap solution generously by paint brush or squirt bottle on all connections and fittings.
- E) If you see any "growing" bubbles on any of the connection points, you have detected a gas leak. IMMEDIATELY turn off the gas from the main gas source.
- F) A leak may be stopped by tightening the loose joint, or by replacing the faulty part with a replacement part recommended by the manufacturer.
- G) Do not attempt to repair the cylinder valve if it should become damaged, THE CYLINDER MUST BE REPLACED.
- H) Check the hose for signs of cracks, abrasion, damage and leaks.

DANGER: TO PREVENT EXPLOSION OR FIRE HAZARD:

DO NOT use or permit sources of ignition including smoking in the area while doing a leak test
Perform leak tests outdoors only. Never use flame or fire to do a leak test.

LOCATING THE GRILL

LOCATION:

Select a suitable location for your grill by avoiding traffic paths and exposure to wind. Keep all gas supply lines as short as possible. Do not locate the grill in a shed, the garage of a building, storage, or other enclosed areas. To assure the unit is level front-to-back and side-to-side, use a "spirit level". If the unit is not level the burner combustion may be erratic and the unit may not function efficiently. If the floor is uneven or there is a slope, you may need to re-level the unit after each moving of the unit.

FOR BUILT -IN INSTALLATIONS:

The ALLEGRA Built-In model is designed for installation in a masonry or a non combustible enclosure. The grill drops into the opening, and hangs from its counter top trim. There is no support required from the bottom. Pay attention to the provisions for gas line hook-up. The enclosure must have ventilation holes to prevent gas build-up in case of a leak. The counter top should be level and flat. Electrical service should be provided for the units equipped with rotisserie.

CLEARANCE:

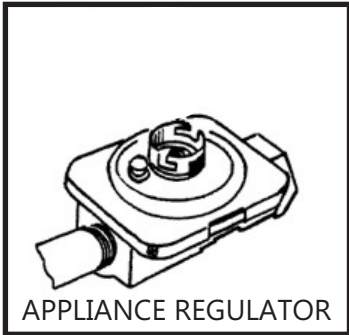
- To a non-combustible construction a minimum of 5" clearance should be kept from back of the grill. Do not locate the grill at a spot where it will be difficult to clean the exhaust and grease from the grill.
- To a combustible construction you must keep a minimum of 16" clearance from back of the grill. A 16" minimum clearance must also be maintained above and below the cooking surface and in any combustible construction.

Do not build your ALLEGRA gas grill directly below unprotected overhead combustible construction.

WARNING: Installing this product into a combustible enclosure could result in fire, property damage and personal injury.

GAS CONNECTION

The ALLEGRA gas grill is equipped to use (LP) propane Or (NG) natural gas. Your grill is designated a gas type and the rating plate must agree with that of the gas supply. Do not operate the grill on any gas other than what the grill is regulated and orificed for.



The rating plate which contains the information pertaining your grill is located inside the cabinet wall of the freestanding units or below the grease tray.

Also a conversion kit is required to convert the grill from (LP) propane to (NG) natural gas or (NG) natural gas to (LP) propane..

**NEVER CONNECT
AN UNREGULATED
GAS LINE TO THE GRILL**

PROPANE (LP)

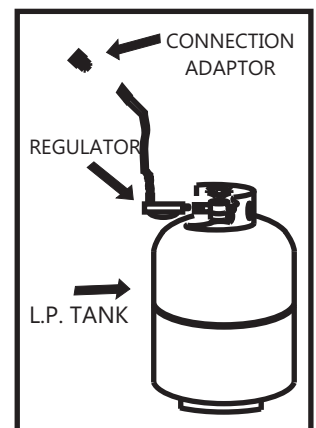
- The LP gas grill comes equipped with a (Type 1 or QCC1 regulator) high capacity LP Regulator hose assembly for connection to a standard 20 lb. LP cylinder. .
- L.P. Hose and fittings are included, the connection is a 1/2" NPT male with a 3/8" flare adapter..
- The operating pressure is 10.0" W.C.
 - A) Connect the 3/8" flare end of the L.P. Hose to the brass adapter on the manifold.
 - B) Connect the regulator to the tank with the tank valve fully closed.
 - C) Insert the regulator inlet into the tank valve and turn the black plastic coupler clockwise until the coupler is tight.
 - D) Make sure not to over tighten the coupler.

PURGING THE GAS LINE

- A) All the controls must be in OFF position.
- B) Slowly turn the main tank valve on.
- C) Turn one burner control valve on the unit to the "Hi" position. (DO NOT LITE THE GRILL).
- D) The unit has to be purged, leave the control ON for about 15 seconds to allow the air in system to purge.
- E) Wait 10 minutes before lighting the burners.(DO NOT LIGHT THE GRILL WITHIN 10 MINUTES OF PURGING.)

The regulator with hose Type 1or Q. C. connection has the following safety features:

- The system has a thermal element that will shut off the flow of gas between 115 and 150 C (240 and 300 F).
- The system will not allow gas to flow until a positive connection has been made.
- The system has a flow limiting device which, when activated, will restrict the flow of the gas to 10 cubic feet per hour.
- The CYLINDER CONTROL VALVE MUST BE TURNED OFF BEFORE ANY CONNECTION IS MADE OR REMOVED.



GAS CONNECTION

Gas Connection (continued)

L.P. Cylinder (tank) requirements:

The LP Tank / gas cylinder for your grill is not provided from by our factory. Therefore, make sure that only D.O.T. approved 20 Lb., or CAN/CGA-B339 approved L.P. gas tanks are used with the grill. All approved Cylinders must have an integral collar designed to provide protection around the cylinder valve and prevent damage. Do not use a damaged gas cylinder. Do not attempt to repair a damaged tank at anytime. A dented or rusty L.P. tank may be hazardous and should be checked by your L.P. supplier. Never use a cylinder with a damaged valve. Always check for leaks after every L.P. tank change.

The L.P. gas cylinder must be constructed and marked in accordance with the specifications for the L.P. gas cylinder of the U.S. Department of Transportation (DOT) and designed for use with a QCC or type 1 system. The gas cylinder must be provided with a shut off valve terminating in an L.P. gas supply cylinder valve outlet specified, as applicable, for connection type QCC1 in the standard for compressed gas cylinder valve outlet and inlet connection ANSI/CGA-V-I.

Manifold pressure: (operating) 10.5" W.C.

Additional tips for safety:

- Extra or spare gas tanks must be stored at least 15 feet from the grill or any open flame, or other types of heat producing device or source.
- Gas tanks are equipped with a pressure relief valve. In case a tank is exposed to excessive heat, the relief valve lets the highly flammable gas vapor or liquid escape. That is why you should never store the gast tank near heat or a flame.
- Store the gast tank in a well ventilated area.
- Do not fill your gas cylinder beyond 3/4 full.

L.P. Gas Connection:

When connecting the L.P. gas tank, make sure the hose does not come in contact with the grill or a hot surface. For the use with an L.P. tank / cylinder, the ALLEGRA grill is equipped with its own regulator. DO NOT REMOVE THIS REGULATOR.

If the assembly needs to be replaced, use a unit specified by ALLEGRA Grills only. Then:

1. Remove the panel in the back of the BBQ to reach the regulator and gas connection area.
2. Route the female end of the hose through the cart
3. Fasten the hose connection to 1/2" x 3/8" flare fitting connected to the Grill Regulator

A proper regulator should always be used with any gas operation. Check with the local Gas Codes for proper installation. You must use a regulator approved by A.H. T. for any application.

NEVER CONNECT THE GRILL TO AN UNREGULATED GAS SUPPLY

GAS CONNECTION

Gas Connection (continued):

Natural Gas Connection

The installation of this Gas Grill must be in compliance with local codes (or in the absence of local codes), to the national fuel gas code, ANSI Z223.1a- 1988. Installation in Canada must be in compliance with the Standard CAN/CGA-B149.1 Natural Gas Installation or CAN/ CGA-b149.2. Propane Installation Code.

Manifold pressure: (operating): 4"

Total gas consumption (per hour) with all burners on "HI":

Conventional Burners

32" Grill	72,000	BTU
38" Grill	87,000	BTU

Infra-Red Burners

32" Grill	72,000	BTU
38" Grill	87,000	BTU

NOTE: Deduct 12,000 BTUs from figures above when NO Rotisserie in use

Make sure that the gas supply is equipped with a shut off valve. The shut-off valve should be easily accessible.

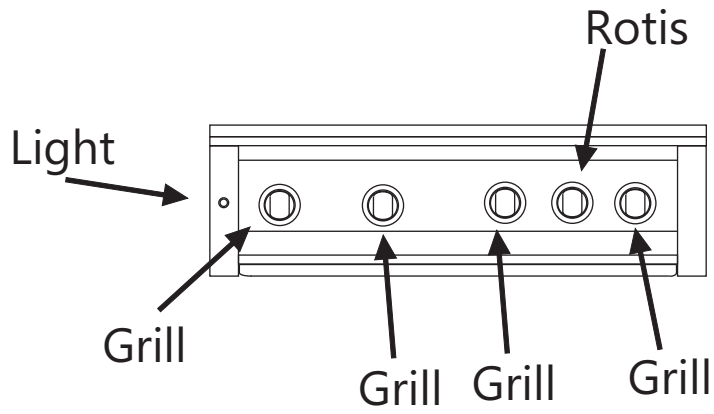
For use with Natural Gas, the grill has its own regulator. Do Not remove the regulator. If it needs replacing, use a specified regulator as suggested by ALLEGRA.

1. Remove the back panel from the BBQ which will give you access to the regulator and Gas connection
2. Connect the proper and flexible connector to the Grill Regulator.

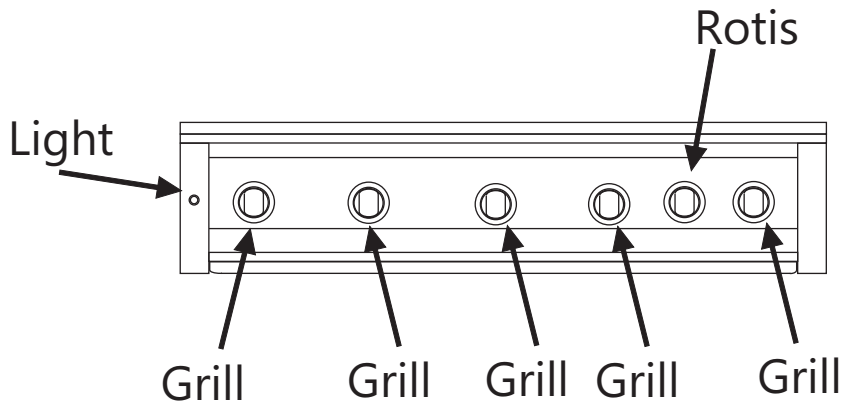
NOTE: The 3/8" ID hose (flexible type) has a maximum capacity of 60,000 BTUs. This hose should be used with 32" Grills. Larger models, or 32" models with side burners require the use of a 1/2" ID hose. If a 3/8" ID hose is used, the result will be a poor performance due to inadequate gas supply

IDENTIFICATION

32



38



BURNER ADJUSTMENTS

As all of American Heating Technologies Inc. products, the grills have also been tested in the factory before shipping. However, due to different gas pressures and heating values of different gas suppliers, burner flame adjustments might be necessary, especially when converting a unit from one type of gas to another. This adjustment could be made by reducing or enlarging the air inlets at the tip of the burners. Please see diagram (A). The goal of adjusting burner flames is to get a stable blue fire with no yellow tips and no lifting.

PROBLEM

SOLUTION

LIFTING:

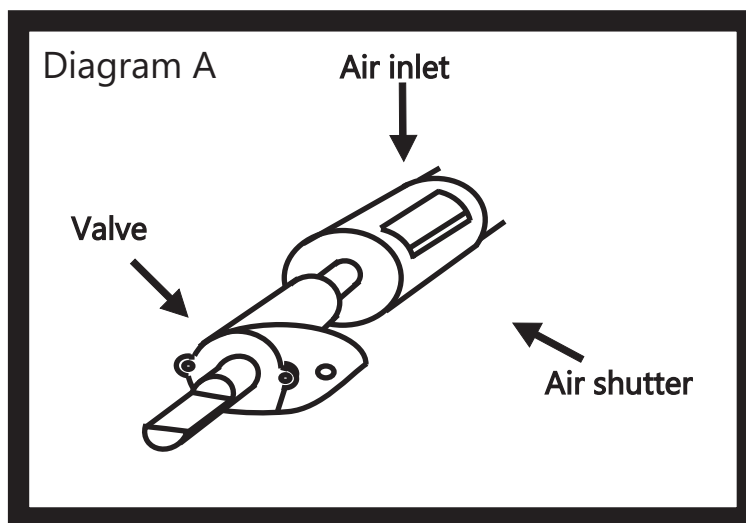
A gap between the burner and the flame as if the flame is not connected to that burner

Too much air going through the burner is causing this. Turn the air shutter dial to reduce air inlet holes while observing burner flames for changes.

YELLOW TIPS:

When the amount of air going into the burner is not enough, or burner ports are blocked by debris and other particles, causing the tips of the flame to look yellow

Turn air shutter dial to open air inlet and allow more air. Make sure all burner ports are clear of dust and other debris and particles.



LOW setting adjustment:

Adjust the burner "Low" setting by using a long stemmed flat-head screwdriver, inserting the screwdriver into the right side of the burner control valve body, which is accessible from the front panel opening, adjust screw producing a stable flame when the Burner Control Valve is set on "low." This applies to all operations.

BURNER MAINTENANCE & CLEANING

Your ALLEGRA grill is made of stainless steel. After some initial usage, you will notice in some areas of the grill. It is a normal process caused by the high amount of heat produced by the burners. There are many different stainless cleaners available in the market, but be sure to use a mild cleaning product first, always scrubbing in the direction of the grain.

If there are noticeable scratches in the stainless steel, use a dry 100 grit emery paper to sand the area. Sometimes, greasy specks collecting on the surface can look like rust.

To remove these specks, use an abrasive pad together with a stainless steel cleaner.

Remember to rub in the direction of the grain.

NOTE: The best way to maintain stainless steel is to wipe it down with a damp cloth. Excessive moisture causes a rust-like discoloration and may eventually require replacement. Never use steel "Brillo" pads or similar products as these will leave traces of material behind. This material will quickly rust. This rust is not a defect in the grill.

ATTENTION

Before removing burners, gas supply must be shut off and the knobs turned to "OFF". Allow the grill to completely cool down.

STAINLESS STEEL STRAIGHT BAR BURNER

GRILL BURNERS:

To begin, remove grill racks and radiant trays.

Remove burner pin located in the back of the grill to release the burner.

Hold the burner, pull it up and slightly to the back of the unit.

This way the burner head comes off the brass orifice at the front.

Turn the burner sideways and remove the burner.

Be careful not to block or upset the air shutter position.

BURNER CLEANING:

Use a wire brush to clean the exterior of the burner. To clear stubborn scale, use a metal scraper.

Clean any clogged ports with a straightened paper clip. Do not use a wooden toothpick as it may break off and clog the port. Use a flashlight to check the burner inlet for possible blockage. Shake out any debris through the air shutter. If you see any obstructions, use a metal wire coat hanger that has been straightened out.

ORIFICE CLEANING:

After the burner has been removed, remove the orifice and hold a flashlight through the opening to check for possible blockage. Use a needle to clean any debris. Use extreme caution so you do not enlarge the hole or break off the needle.

BURNER MAINTENANCE & CLEANING

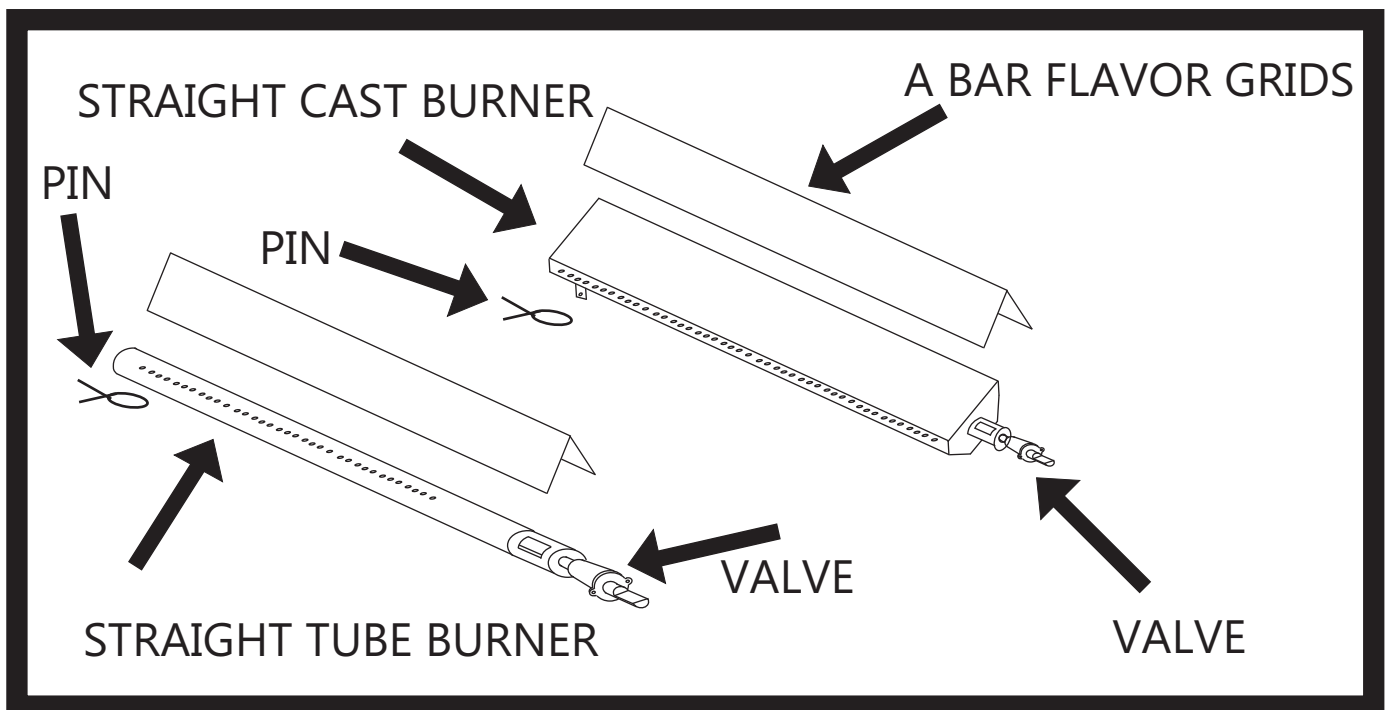
Burner Maintenance And Cleaning (continued)

REASSEMBLE THE BURNERS:

When replacing the burner, align the orifice with the center hole on the air shutter. Slide the air shutter onto the orifice and rest the rear of the burner on the support rack at the back of the burner box. Make sure the burner is resting firmly and does not rock then re-insert the pin.

Do not upset the original position of air during this procedure.

Light all burners and check the flames for irregularities. If adjustments are needed, see the adjustment section in your manual labeled: Burner Adjustments.



ATTENTION

If the burners are not centered firmly and correctly, a dangerous condition may occur that can cause personal injury and damage to your gas grill.

SPIDERS & INSECTS:

Sometimes spiders and insects may crawl inside burners and nest there. In this case, the gas will flow from the front of the burner. It can create a dangerous situation and start a fire behind the valve panel. This can damage the grill and make the operation of it unsafe..

BURNER MAINTENANCE & CLEANING

Burner Maintenance And Cleaning (continued)

INFRA RED BURNER

GRILL BURNERS:

Make sure grills are not hot. Begin by removing the cooking grills off the gas grill, Remove burner pin located in the back of the grill to release the burner. Hold the burner, pull it up and slightly to the back. Grab the burner from the sides and gently lift the part resting on the burner bracket. Slide burner up and back gently making sure you do not brake the electrode.

BURNER CLEANING:

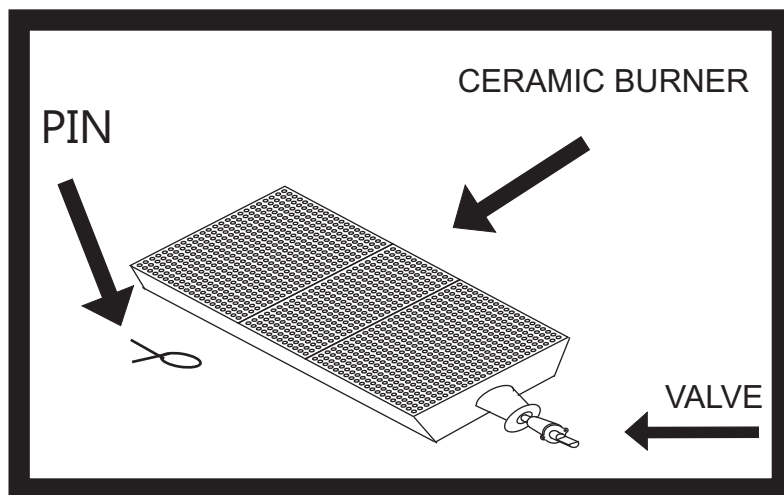
Brush of the metal screen. If necessary a vacuum can be used to lift debris out of the ceramic ports. IT IS JUST AS IMPORTANT TO CLEAN INSIDE THE GAS INTAKE PIPE (VENTURI) by a small and long brush. You should use a flashlight to make sure it is clean and there are no restrictions in the burner or the venturi.

ORIFICE CLEANING:

After the burner has been removed, remove the orifice and hold a flashlight through the opening to check for possible blockage. Use a needle to clean any debris. use extreme caution so you do not enlarge the hole or break off the needle.

REASSEMBLE THE BURNERS:

When replacing the burner, align the orifice with the center hole on Infra red burner. Slide the burner onto the orifice and rest the rear of the burner (the U shaped end) on the support rack at the back of the burner box. Make sure the burner is resting firmly and does not rock. Light all burners and check the flames for irregularities.



ATTENTION

If the burners are not centered firmly and correctly, a dangerous condition may occur that can cause personal injury and damage to your gas grill.

SPIDERS & INSECTS:

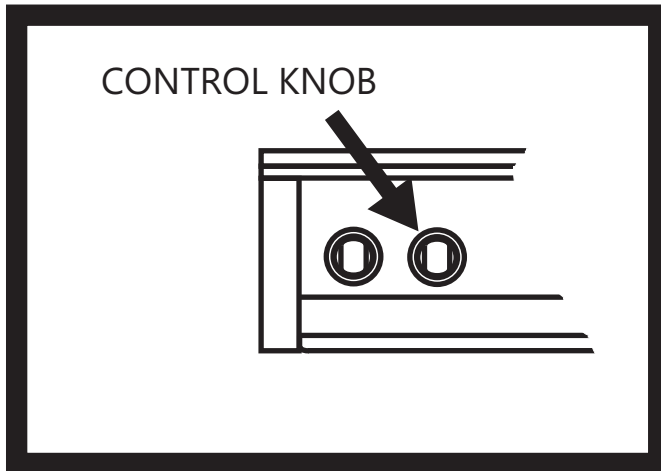
Sometimes spiders and insects may crawl inside burners and nest there. In this case, the gas will flow from the front of the burner. It can create a dangerous situation and start a fire behind the valve panel. This can damage the grill and make the operation of it unsafe..

LIGHTING INSTRUCTIONS

WARNING, before lighting:

Prior to turning the gas "on," inspect the gas supply piping or hose. Any evidence of cuts wear, or abrasion must be replaced prior to use.

The replacement pressure regulators and hose assembly must be the type specified by the manufacturer. Do not use the grill if the odor of gas is present. The pressure regulators and hose assembly supplied with the unit must be used. Locate the unit L.P., screw the regulator into the tank and leak check the hose and regulator connections with a soap and water solution before operating the grill. Turn all knobs to "off" then slowly turn on the gas supply valve. Remember to always keep your face and body as far away from the grill as possible when lighting. Do not attempt to "light" the grill if the odor of gas is present. Call for service. Always wait at least 5 minutes before relighting a hot grill.



Grill Burners

To Light:

Open the lid, turn the corresponding knob on "Hi" by pushing the knob in and turning it counter-clockwise until it clicks.

If the burner does not light in 5 seconds, turn knobs to "OFF" wait 3 minutes and try relighting, or try Match Lighting (see section on Match Lighting).

Rotis Burner (not all models)

To Light:

Open the lid. Turn the Rotis knob on "HI" by pushing the knob in and turning it counter-clockwise until it clicks.

If the burner does not light within 4 seconds, release the knob and turn the control knob to "OFF".

The rotis burner should reach cooking temperature in about 1 minute. The orange or red glow will even out in about 5 minutes.

If burners do not light after several attempts, see instructions on match lighting, on next page)

(Always wait at least 5 minutes before relighting a hot burner!)

MATCH LIGHTING

Match Lighting:

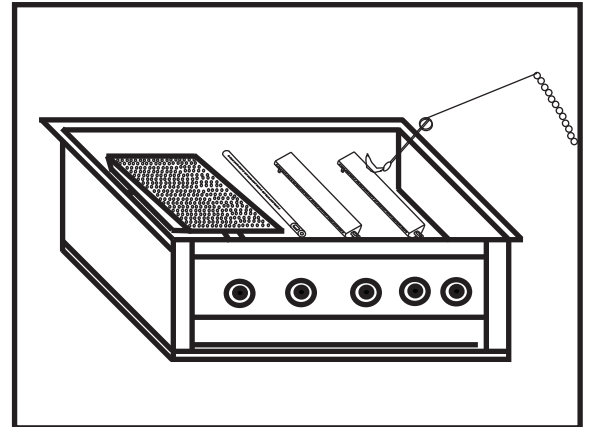
If burners do not light after several attempts, they can be match lit. If you have just attempted to light the burner with the igniter, allow 5 minutes for any accumulated gas to dissipate.

Grill Burners: Make sure all knobs are in the OFF position.

Keep your face as far away from the grill as possible. With the lid open, light a paper book match and hold it to the ports of the burner using a lighting stick or a lighting rod.

Press and turn the corresponding control dial of the burner to "HI".

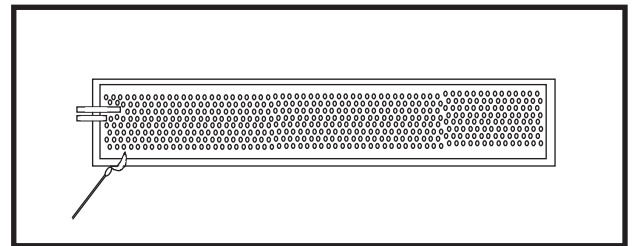
If the burner does not light in 4 seconds, turn the dial off and wait 5 minutes before attempting again (see picture on the right).



Rotis Burner: Make sure all knobs are in the OFF position.

With the lid open, light a paper book match and hold it close to the burner tiles of the Infra-Red burner. Push and turn the Rotis control knob to "Hi".

If the burner does not light in 4 seconds, turn the knob off and wait 5 minutes before attempting it again (see figure on right).



USING THE GRILL

Before Using The Grill:

- Make sure that the grill has been tested for leaks and properly located
- Remove all packaging material
- Read and understand the instructions provided in this manual

Using The Grill:

Grilling requires high heat for searing and proper browning. Most food are cooked when dial is on "Hi" heat for the entire cooking time - lid staying open during this time. However, when grilling large pieces of meat and poultry, it may be necessary to turn the heat to a lower setting after the initial browning This allows your meat to cook throughout without burning the outside. Note that food cooked for a long time or basted with sweet or sugar-based marinade may need a lower heat setting near the end of the cooking period.

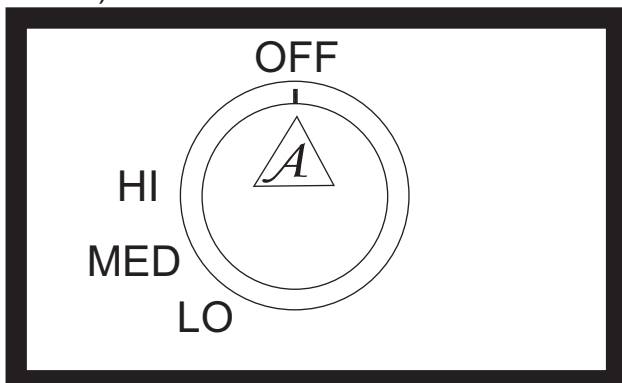
Indirect Cooking

This type of cooking is referred to the process of placing the food on one side of the grill. The burner below the food must be on "OFF" and the adjacent grill burner should be placed on "HI". Place a drip pan on top of the burner that is switched off and not in use. This way the pan prevents any dripping from clogging up the unused burner. Then:

- Check to be sure that the drip tray is in place and does not contain debris
- Light the burner (see section labeled: Lighting Instructions)
- Turn the control button to "HI" and preheat the grill for 5 -15 minutes. During this preheat time, the top cover must be kept closed and opened during high heat grilling.
- Place your food on the grill and cook to your desired wellness. Adjust heat settings when required.
- The control button may rest at any position between "HI" and "LO".
- The drip tray must be cleaned after each use. To do this, always allow the grill to cool first.

Hood Position

The burner system generates an intense amount of heat that must be controlled while cooking with a CLOSED HOOD. The Heat Setting button must be kept on "MED" indicating the highest safe setting when cooking with a closed hood (see figure below).



WARNING

Hood must be open when lighting grill burners. While grilling with control knob should be set in the range between "MED" and "HI".

Hood may be closed when all control knobs are set below "MED" or when the grill is not in use

USING THE GRILL

Using The Grill (continued)

How To Avoid Flare-Ups

With attention and care the risk of flare ups can be reduced and avoided by:

- Properly pre-heating the grill
- Cleaning the grill on regular basis to avoid grease built-up
- installing the grill grids properly.
- Trimming excess fat from meat
- Repositioning the location of meat during cooking

ATTENTION

DO NOT ALLOW WATER TO CONTACT THE BURNER AS DAMAGE WILL OCCUR. WATER DAMAGE IS NOT COVERED BY YOUR WARRANTY

USING THE ROTISSERIE

The Rotisserie on Allegra

Since the location of the rotis burner is more susceptible to strong winds, it is recommended to avoid using rotis during windy conditions.

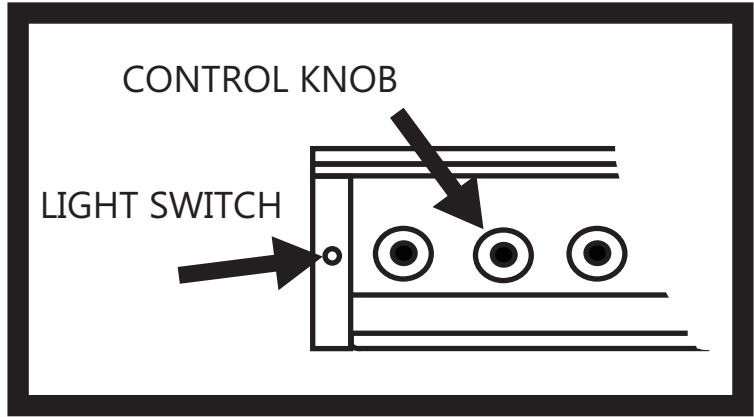
Skewer (Spit) Rod:

In assembling the skewer for the rotis into the motor assembly, it is required that the pointed end is placed into the motor allowing its threaded end to rest on the support at the opposite side of the grill. By now, the skewer should be pushed into the motor and the unit resting on the bracket. Loading the Skewer: begin with the handle in place and slide one of the meat holders onto the skewer. Make sure prongs are facing away from the handle. Push the skewer through the center of the food, then slide the second meat holder onto the skewer - prongs towards the food. Make sure the food item is centered on the skewer. Then, push the meat holders firmly together to hold the food. Make sure the wing nuts are tightened (use of pliers may be necessary). In addition, you may need to wrap the food with butchers string to secure any loose portions of the food. Never use nylon or plastic strings. After securing the food, insert the skewer into the motor. Remove the warming rack, the grill racks, and the briquette trays, if necessary. The skewer may flex when cooking large foods which is quite normal. Place a basting pan under the food for basting and easier cleaning after use. Never operate a Grill Burner with a basting pan in place. The rotis motor is capable of turning meat and poultry weighing up to 26 lbs.

USING THE LIGHTS

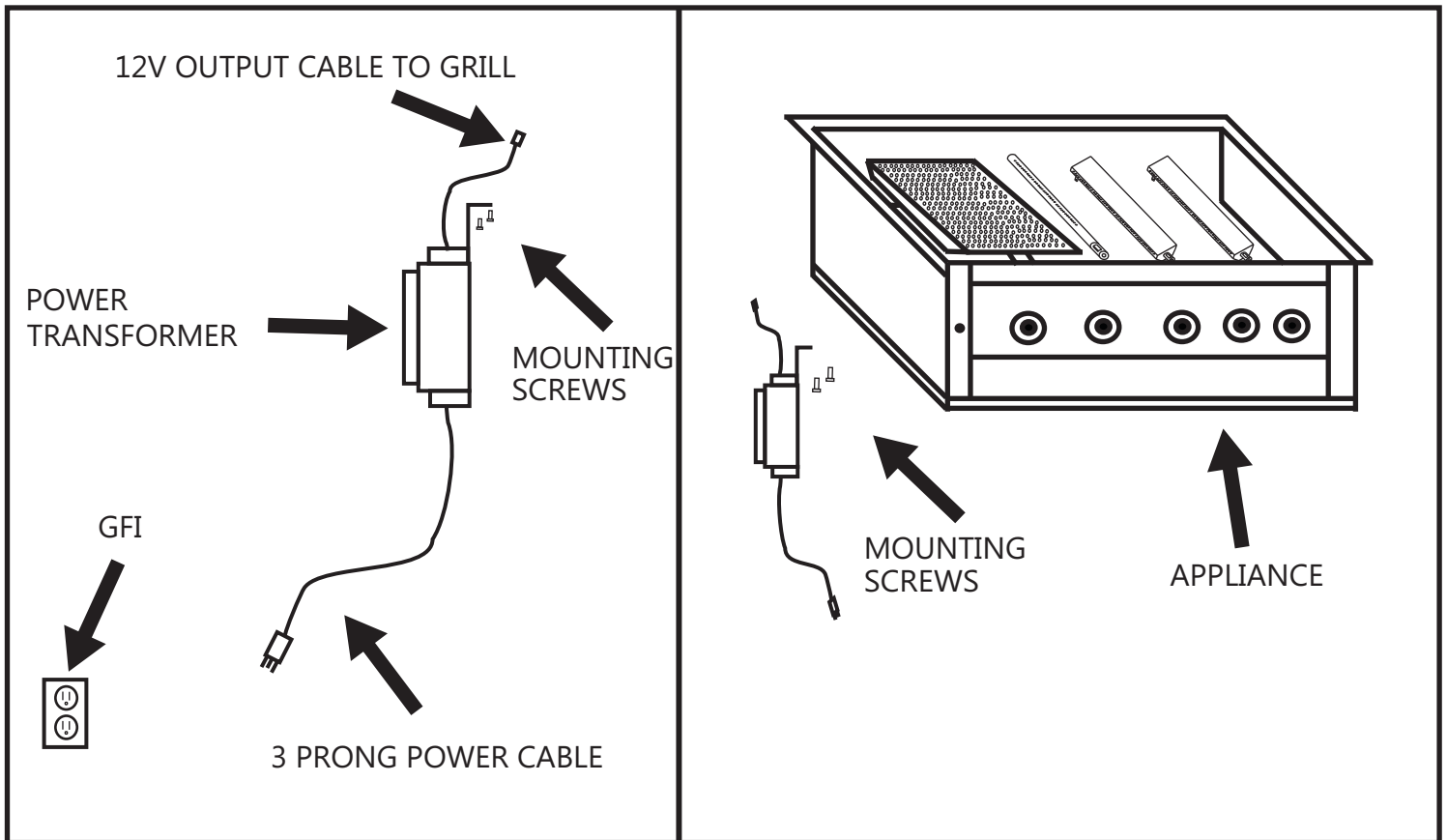
Lighting on Allegra

Allegra units are equipped with double build in halogen lights for night time grilling. The lights are turned ON and OFF by the light switch located on the left side of the unit.



Electrical Connection

Allegra units are equipped with double build in halogen lights for night time grilling. The lights are turned ON and OFF by the light switch located on the left side of the unit.



ELECTRICAL CONNECTIONS

WARNING - ELECTRICAL GROUNDING



- Product installation must meet local electric codes or, in the absence of local codes, the latest edition of the National Electrical Code ANSI/NFPA No. 70 or the Canadian Electrical Code CGA 1.6b2005.
- Use only a Ground Fault Interrupter (GFI) protected circuit with this outdoor cooking gas appliance.
- The ALLEGRA gas grill is equipped with a three prong (grounding) electric plug for your protection against shock hazard and must be plugged directly into a properly grounded three prong outlet. NEVER cut or remove the grounding prong from this plug.
- Use only extension cords with a 3 prong grounding plug, rated for the power of the equipment, and approved for outdoor use with a “W-A” marking.
- To protect against electric shock, do not immerse any part of the power cord, an extension cord or any plugs in water or other liquid.
- Always unplug the product from the outlet when not in use and before cleaning. Allow it to cool before putting on or taking off parts.
- Do not let the cord hang over the edge of a table or touch hot surfaces.
- Do not use an outdoor cooking gas appliance for purposes other than intended.
- Do not operate any outdoor cooking gas appliance with a damaged cord, plug, or after the appliance malfunctions or has been damaged in any manner. Contact the manufacturer for repair.

CONNECTION TO AC



Installation requires an outdoor 120VAC 15A GFI (Ground Fault Interrupter) electrical outlet adjacent to the grill.

The GFI outlet features an internal breaker that reduces shock hazard. This type of outlet should be installed by a qualified electrician either inside the island enclosure for built-in units, or near the location where a free-standing unit will be used.

For built-in ALLEGRA grills, the supplied 12V transformer is connected to the grill during installation. When installing the transformer to the grill be careful to prevent the wiring and transformer from contacting any hot surfaces behind or below the grill. It is recommended that the transformer be located below the grill in a readily accessible location.

Be sure to provide adequate access to facilitate service if the transformer or connections should need future maintenance.

If the electrical system fails to operate, a connection may have come loose in shipping or the GFI may have tripped, requiring a reset. Contact an authorized technician or an licensed electrician to inspect the unit.

SERVICE INFORMATION

Obtaining Service::

Please read the following check-list before calling for service:)

- #1. Currently, is there gas being supplied to your Grill?
- #2. Is there a power outage where you live? Are you able to run electronic appliances?
- #3. When was the last time you refilled your Liquid Propane (LP) tank?

For warranty, service, contact your local ALLEGRA / American Heating Technologies Inc. authorized service agency. Please provide the service representative with the Model #, Serial #, type of gas, date of installation, and a brief description of the problem. If you need assistance in locating an authorized service agency in your area, contact ALLEGRA / A.H.T. Customer Service and Parts at:

American Heating Technologies Inc.
501 W. Glenoaks Blvd.
Suite #125
Glendale, CA 91202
www.AmericanHeatingTechnologies.com

Damaged Shipment

If a shipment arrives damaged, please follow these directions:

- In case of visible loss or damage, check to see if it is noted on freight bill or express receipt and signed by the person who delivered it to you.
- Make sure you file a claim for damages immediately, regardless of extent of damage
- In dealing with concealed loss or damage and unnoticed until merchandise is unpacked, contact and inform the transportation company or carrier immediately and file a "concealed damage" claim with them. This claim should be made within 15 days of the date delivery is made to you. Save the box or container for inspection. We can not assume responsibility for damaged or loss taking place in transit.

CONVERSIONS

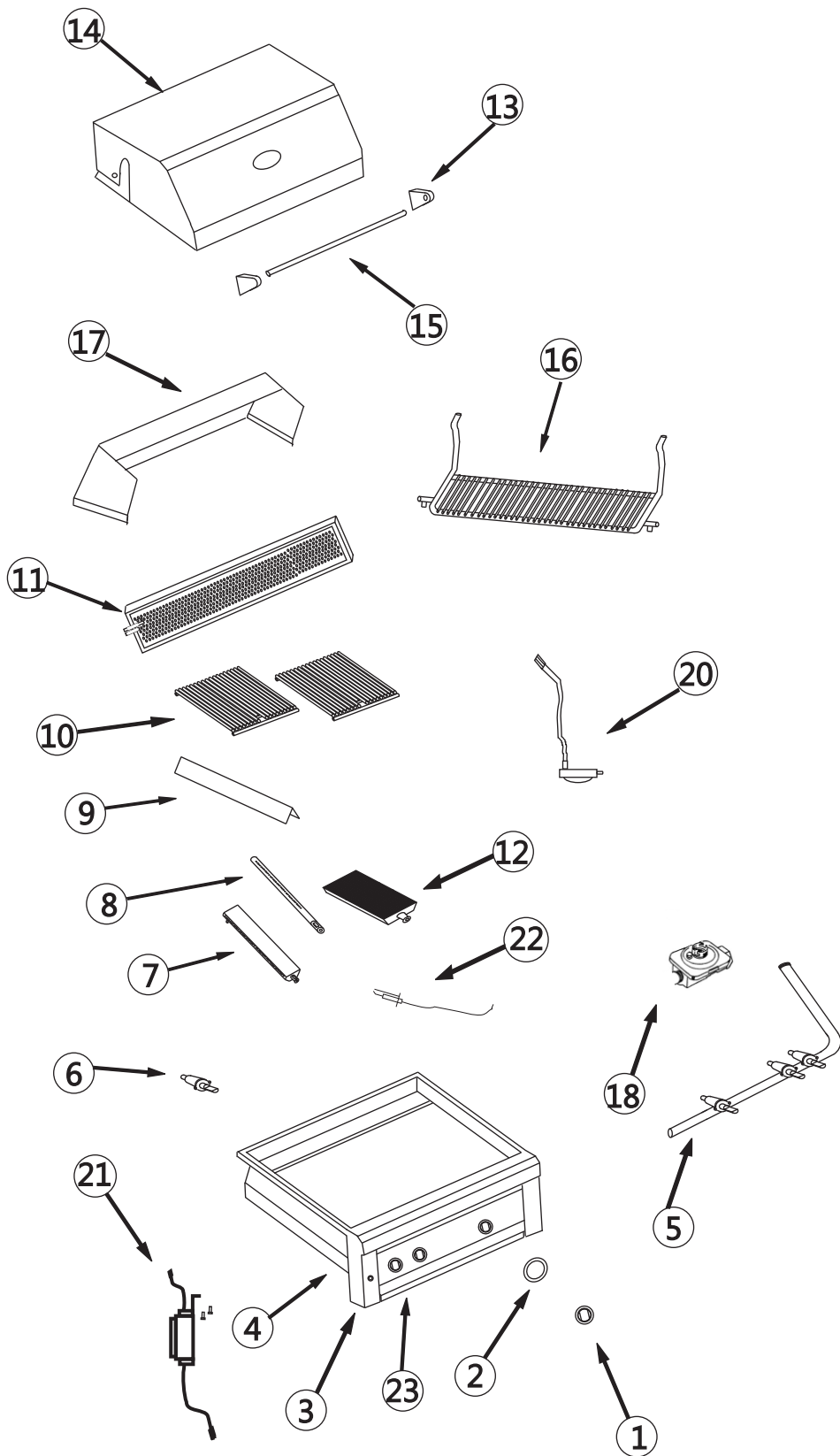
The following is a step-by-step list of converting from L.P. Gas to Natural Gas or from natural Gas to L.P.

1. Remove the top panel in the back from the Grill to gain access to the regulator
2. Remove the existing regulator and install the appropriate regulator provided by ALLEGRA manufacturer, and corresponding with the gas type.
3. Remove the Grill's cooking grids and burners. Be cautious and do not move or damage the electrodes on the igniter.
4. At the entrance of the burner throat find the main burner orifices. Unscrew these orifices and put them aside.
5. Replace EACH INDIVIDUAL ORIFICE WITH THE SPECIFIED ORIFICE provided by American Heating Technologies Inc. (You must replace the main burner orifices, back burner orifice and side burner orifices.)
6. Refit the access panel in the back of the grill
7. Attach the main burners onto the burner valve orifices. Do not damage or move the igniter electrodes.
8. After correctly converting the Grill and testing for leaks, follow the instructions for lighting the grill and check the burner flames for possible irregularities (color, look, etc.)
9. Adjust the burner "Low" setting by using a long stemmed flat-head screwdriver, inserting the screwdriver into the Burner Control Valve, and turn the adjustment screw producing a stable flame when the Burner Control Valve is set on "low."
This applies to all operations / burner types.
10. If the burner is running properly, place the cooking grids back in position.
11. To indicate the change made, make sure to mark the proper setting on the rating plate.)

WARNING

WHEN CONVERTING A UNIT GAS TYPE YOU MUST ONLY USE A
CONVERSION KIT SPECIFIED BY AMERICAN HEATING TECHNOLOGIES INC.

BREAKDOWN



#	Description
1	Knob
2	Bezel
3	Light Switch
4	Housing
5	Manifold
6	Valve
7	Cast Bar Burner
8	Stainless Steel Tube Burner
9	Ceramic Briquettes
10	Cooking Grills
11	Back Burner
12	Infra-red Burner
13	End Cap
14	Hood
15	Handle
16	Warming Rack
17	Hood Support
18	N.G. Regulator
20	L.P. Regulator
21	Power Transformer
22	Electrode
23	Grease tray

WARRANTY

IN ORDER TO RECEIVE WARRANTY SERVICE FILL OUT AND MAIL IN YOUR WARRANTY CARD WITHIN 30 DAYS OF PURCHASE.

This warranty is limited to the replacement of the defective parts.

LIMITED WARRANTY

American Heating Technologies must give authorization in writing, to the customer to return the defective parts.

LIMITED LIFETIME WARRANTY

A.H.T. warrants the stainless steel body housing, ceramic infra red burners, and the stainless steel burners to be free from defects in material and workmanship when subjected to normal domestic use and service for the lifetime of the original purchaser. This warranty excludes discoloration, surface corrosion, and scratches which may occur during regular use.

LIMITED FIVE-YEAR WARRANTY

A.H.T. warrants the structural integrity of the interior grill parts, exterior, and drip pans to be free from defects in material and workmanship, when subjected to normal domestic use and service, for a period of five years from the date of purchase.

LIMITED ONE-YEAR WARRANTY

A.H.T. warrants all other grill components to be free from defects in material and workmanship for a period of one year from the original date of purchase. A.H.T. will replace or repair parts found to be defective at no cost to the original purchaser.

WHAT IS NOT COVERED

A.H.T. shall not be responsible for and shall not pay for the following:

1. Installation or start-up
2. Service by an unauthorized service provider
3. Damage or repair due to service by an unauthorized service provider or use of unauthorized parts
4. Improper installation
5. Damage caused by accidents, abuse, alteration, misuse, incorrect installation or installation not in accordance with the instructions contained in the Owners Manual, or local codes
6. Units installed in non-residential applications such as day-care centers, bed and breakfast centers, churches, nursing homes, restaurants, hotels, schools, etc.
7. To correct normal adjustments or settings, due to improper installation, commissioning or local gas supply properties
8. Transportation costs, exports duties, or installation cost
9. the cost of a service call to diagnose trouble, or
10. Removal or re-installation cost

WARRANTY

IN ORDER TO RECEIVE WARRANTY SERVICE FILL OUT AND MAIL IN YOUR WARRANTY CARD WITHIN 30 DAYS OF PURCHASE.

LIMITED WARRANTY

LIMITED WARRANTY (continued)

EXCLUSIONS AND LIMITATIONS

- A.H.T. will not cover replacement of the ceramic burner if the burner has cracked due to water damage.
- A.H.T. Is not responsible for any labor pertaining installation, normal adjustment to burners, or gas regulators.
- A.H.T. warranty applies only to the original purchaser of the ALLEGRA and may not be transferred.
- A.H.T. warranty is in lieu of all other warranties, expressed or implied and all other obligations or liabilities related to the sale or use of its grill products.
- A.H.T. warranty shall not apply and A.H.T. is not responsible for damage resulting from misuse, abuse, alteration of or tampering with the appliance, accident, hostile environment, flare-ups, improper installation, or installation not in accordance with the instructions contained in the Owners Manual, or the local codes.
- A.H.T. shall not be liable for incidental, consequential, special or contingent damages resulting from its breach of this written warranty or any implied warranty.
- Some states do not allow limitations on how long an implied warranty lasts, or the exclusions of or limitations on consequential damages. This warranty gives you specific legal rights and you may have other rights which vary from state to state.
- A.H.T. Is not responsible for any damages occurred during shipping.
- No one has the authority to add to or vary A.H.T.'s warranty, or to create for A.H.T. any other obligation or liability in connection with the sale or use of its products.