

Swing Hitch Instructions

Van or Pickup Truck (Hinge Left)

The swing hitch will open to the left

The swing hitch allows the transportation rack with the riptide cart secured in it to be swung out of the way so you can open your van doors or drop your pickup truck tailgate. It also allows the transportation rack to be offset to the left, behind the passive door of a van which allows uninhibited use of the active door. Simply swing the riptide out of the way for use of both van doors or your pickup truck tailgate. The swing hitch allows the Riptide transportation rack to be set anywhere from the center of the vehicle to the hinge.

Step 1: Insert the hitch riser into your vehicles receiver..

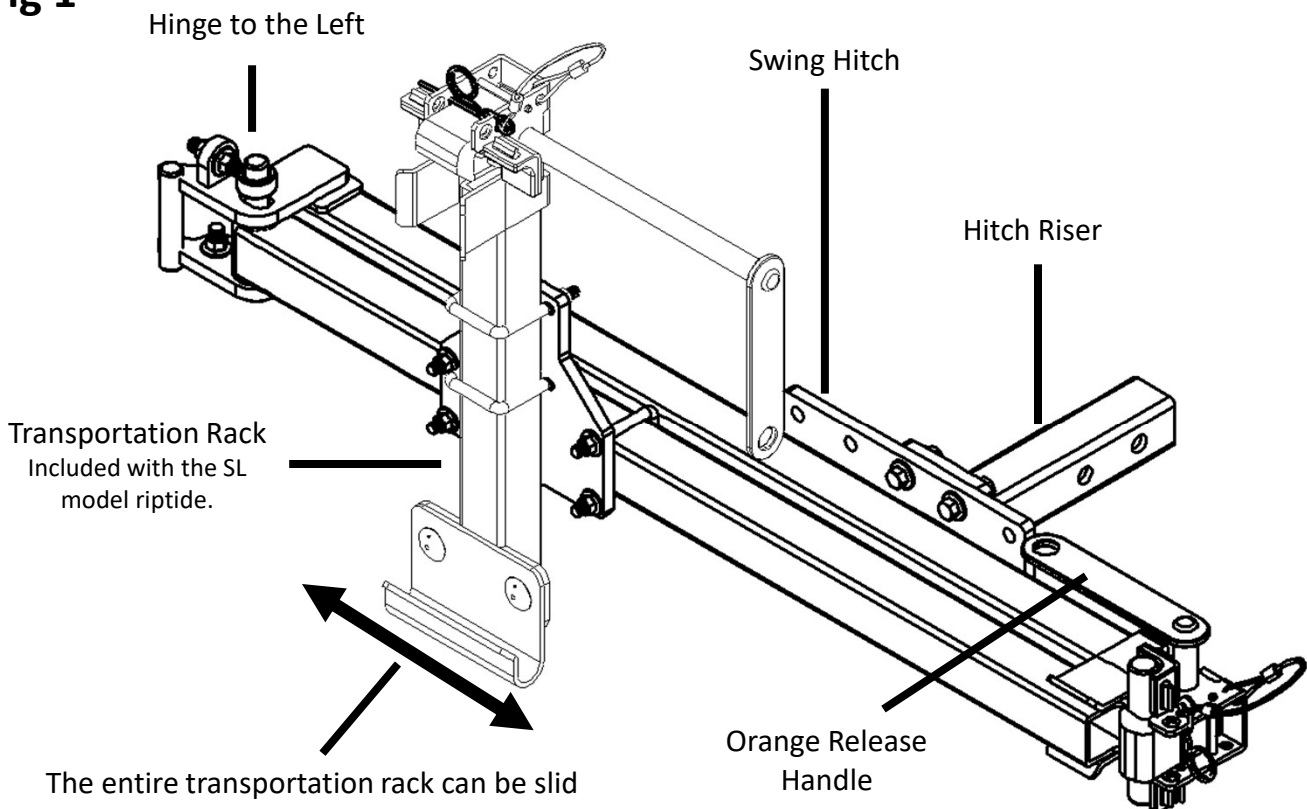
Step2: Bolt the swing hitch onto the riser, the hinge should be around the end of the bumper without sticking out beyond the side of the vehicle.

Step 3: Insert the orange handle from the top down through the black bracket and orange dog. (See adjustments.)

Step 4: Attach the transportation rack (Included with the SL model Riptide) onto the swing hitch. Set it anywhere from the center of the vehicle to the hinge, make sure the cart does not stick out past the side of the vehicle and do not block the vehicles taillights.

Step 5: Adjust the rack to open and close easily. (See Adjustments)

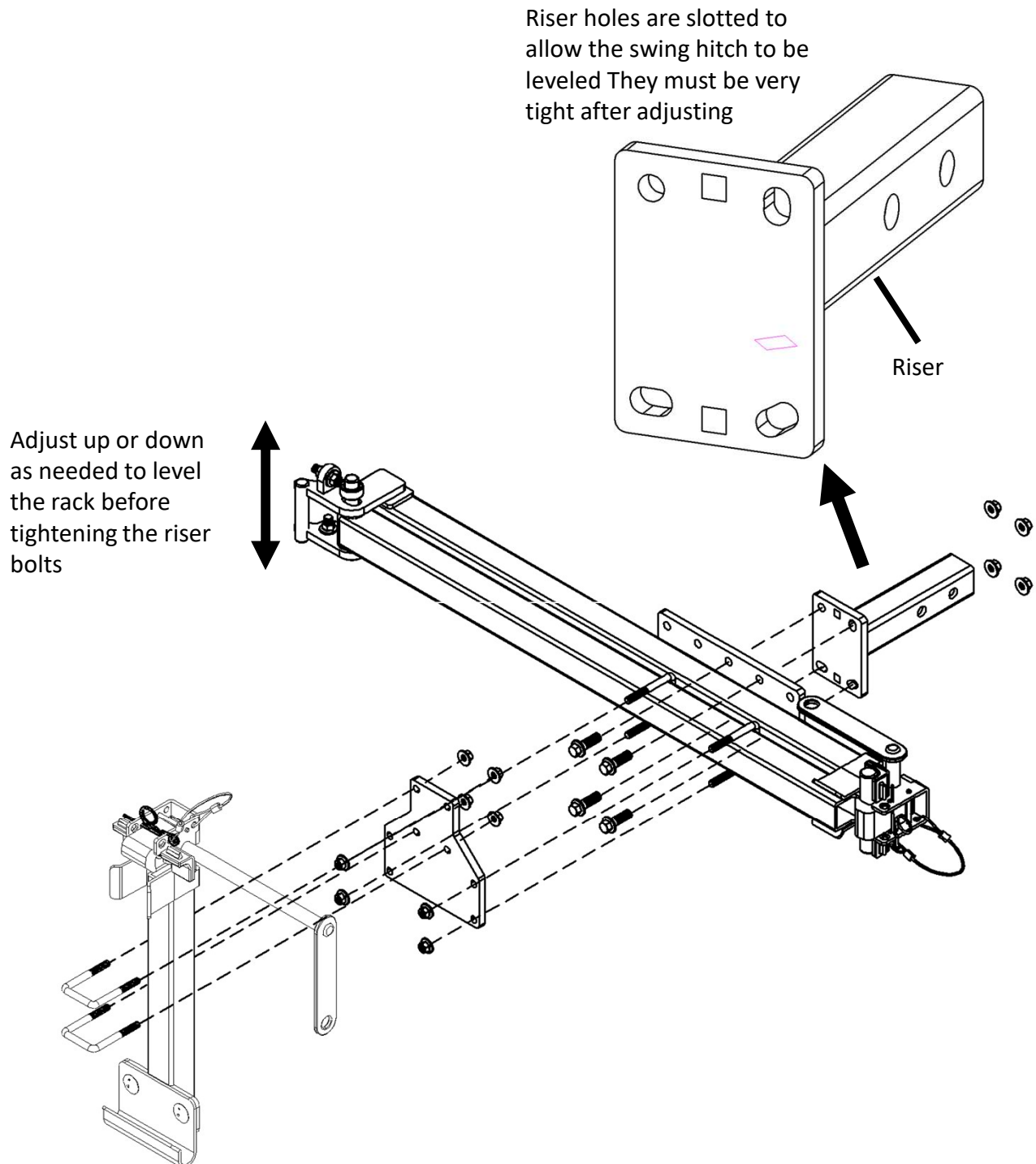
Fig 1



The entire transportation rack can be slid left or right.
Position the rack anywhere from the center of the vehicle to the hinge. (Do not block taillights.)

Swing Hitch leveling Instruction

The riser is designed to allow the swing hitch to be leveled.
With the bolts loose, lift or lower the hinge side as needed then tighten the bolts, they must be VERY TIGHT.

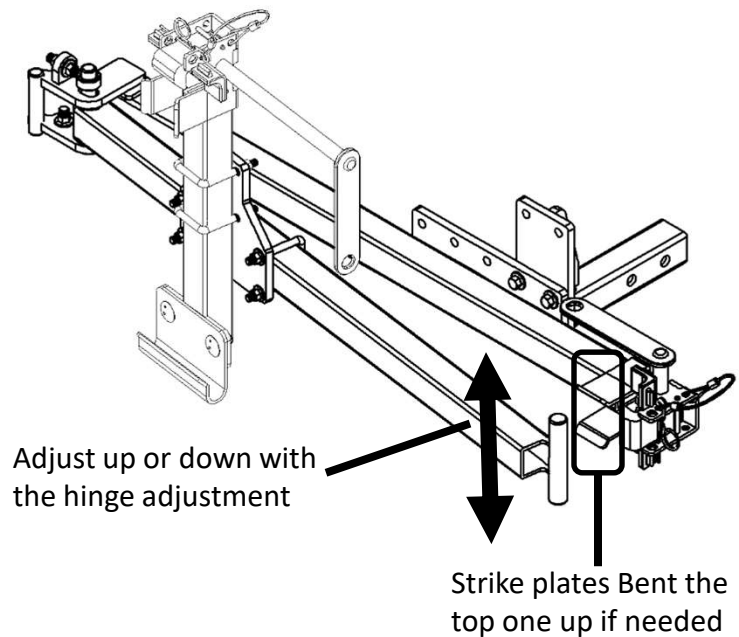
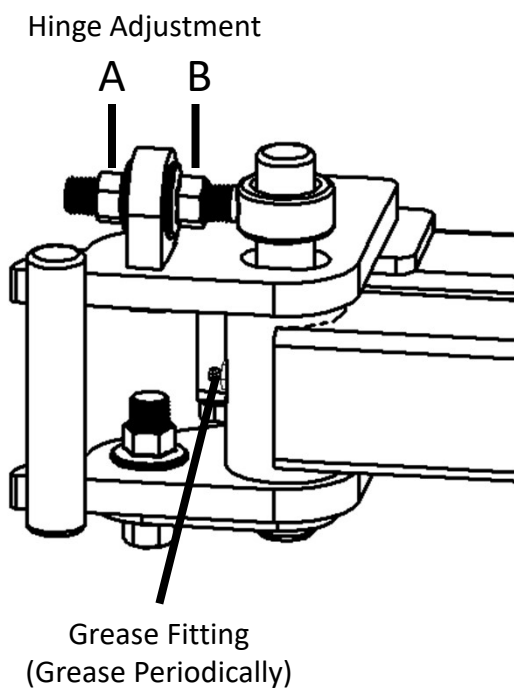


Adjustments

With the Riptide in the transportation rack and the cart loaded as you intend to use it, adjust the hinge so the swing hitch will open and close easily.

Step 1: Pull the orange release handle and open the swing hitch just enough for it to be clear of the strike plates.

Step 2: Adjust the hinge to lift or lower the arm of the swing hitch. To lift the end of the arm, loosen nut B and tighten Nut A. Both nuts must be tight after the adjustment has been made. The top strike plate can be bent up slightly for more clearance. It may be necessary to readjust the hinge as time goes on and the hinge wears.



Orange Release Handle

Rotate the orange release handle to the most convenient location and tighten the bolt, make sure the handle is sticking out enough so it clears the orange bumpers that are mounted into the black bracket.

The bolts that secure the springs onto the orange latch can also be tightened after the handle position has been decided.

