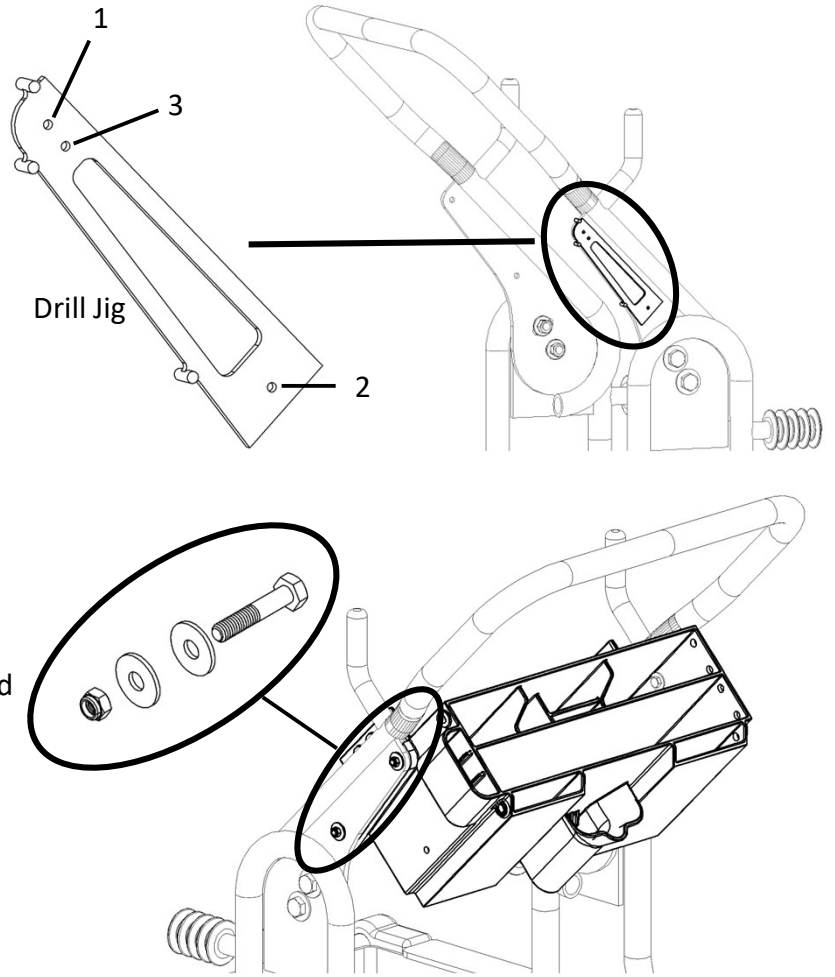


# Organizer Installation instructions

Hold the drill jig firmly in place on the handlebar bracket as shown and drill piolet holes through 2 of the holes in the jig and through the handlebar bracket using a 1/8" drill bit then drill through the piolet holes with a 1/4" drill bit.

If there are holes predrilled on your handlebar bracket and the holes don't align with 1 & 2 on the jig use hole #3 on the jig, if you use hole #3 you will need to use a 1/4 inch drill bit and complete the corresponding hole on the organizer.

When installing the organizer, use a flat washer on the inside and the outside and the nuts go on the outside.



---

## Tile Brush Bracket (sold separately)

