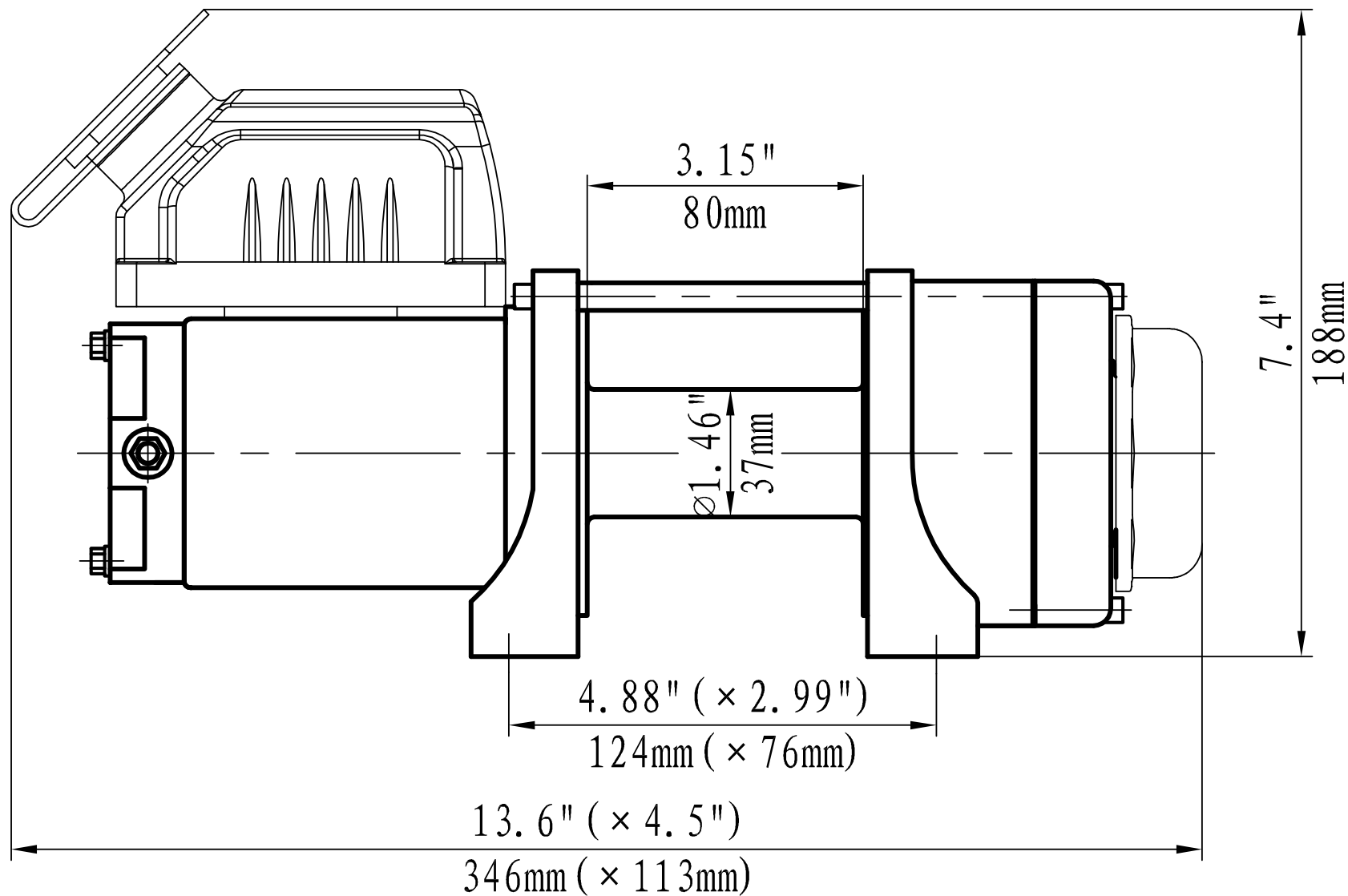




# NINJA 2500 TECHNICAL DIAGRAM



**VALUE WITHOUT COMPROMISE**