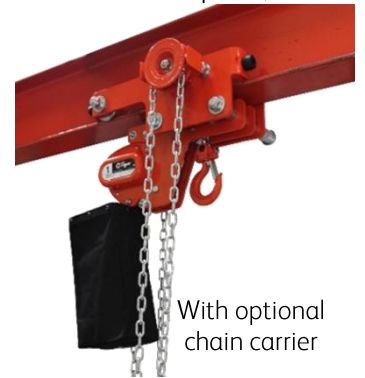


## Tiger Low Headroom Combination Chain Block & Trolley Model No. LHCG



With optional locking device



With optional chain carrier

### Main Features

- Very low headroom
- Range from 1.0t to 10.0t
- Ideal for locations where headroom is limited
- Operating temperature of -40°C to +80°C (temperature range of -60°C to +80°C available as an option)
- Can be chained to any height of lift to meet your exact requirements
- Chain carrier available
- Corrosion or spark resistant versions available
- Available with load limiter
- Available with beam locking device
- These units meet and exceed all the requirements within BS EN 13157: 2004+A1:2009 and AS1418.2.

### Certification:

Each unit comes fully certified with a test certificate or an EC Declaration of Conformity stating compliance with the essential health and safety requirements of the Machinery Directive 2006/42/EC.

### Technical Data

Product Code	Capacity (tonne)	D - Track width		Dimensions (mm)									Net Weight (kg) @ std HOL/range 1
		Range 1 (mm)	Range 2 (mm)	A	A <sup>K</sup>	B	C	E	F	G	H	J	
LHCG-0100	1.0	62-180	180-310	458	572	207	138	149	24	230	210	70.5	33.5
LHCG-0200	2.0	88-180	180-310	576	678	207	146	179	24	299	260	79.5	50.0
LHCG-0300	3.0	88-180	180-310	698	814	209	153	221	32	341	305	96.5	78.5
LHCG-0600	6.0	106-194	194-260	791	924	216	164	274	32	344	425	117	108.0
LHCG-1000	10.0	150-320	-	873	1013	283	243	377	45	364	550	118	174.0

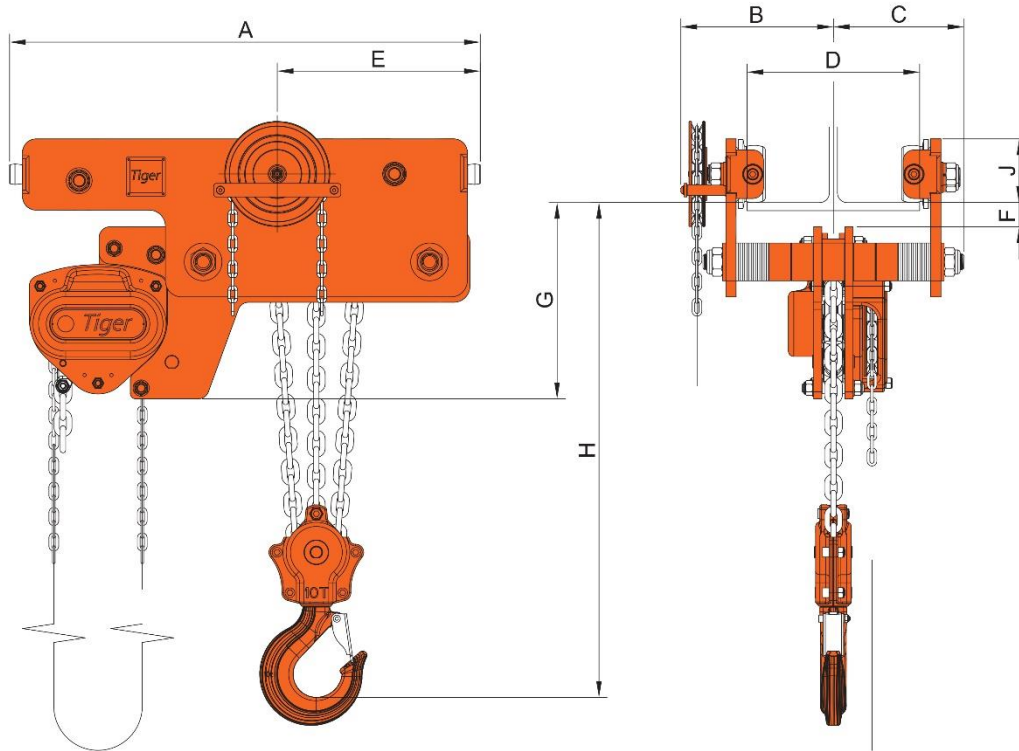
Standard geared trolley hand chain length - 2.5m. We can change the length to suit your requirements.

Standard height of lift (HOL) of chain block - 3m. We can change this to suit your requirements.

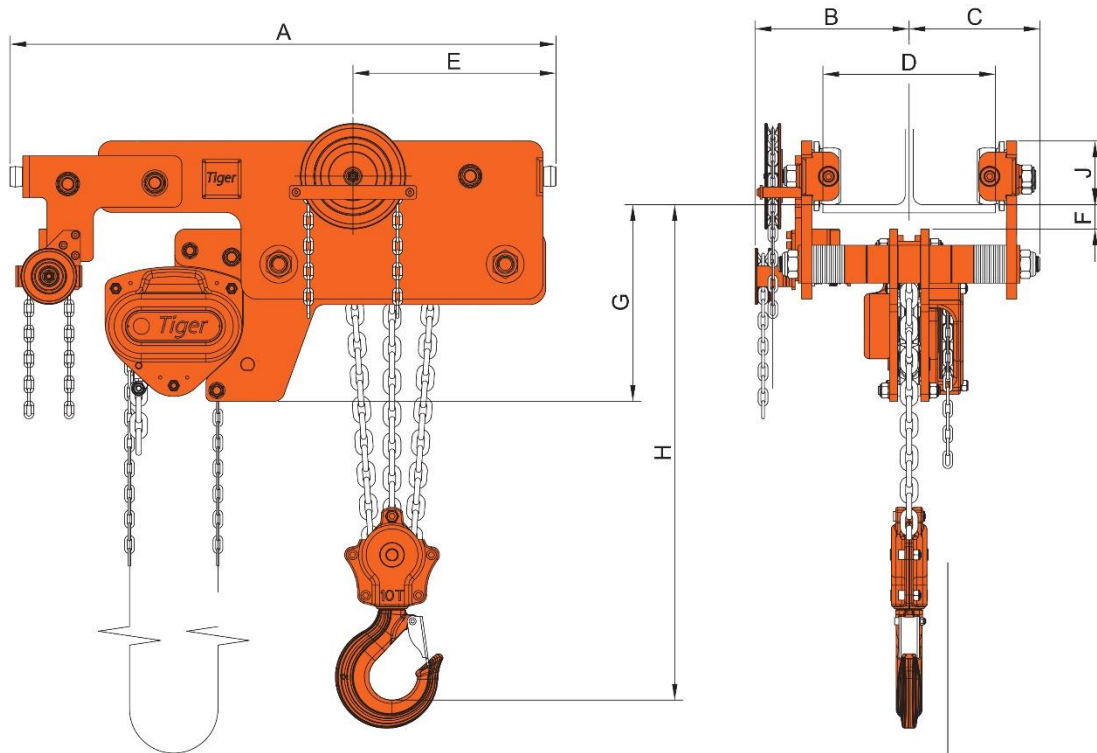
A<sup>K</sup> is the A dimension for the locking device option

D is the standard track width range. Please contact us for track widths outside of this range.

F is the maximum beam flange thickness.



LHCG



with locking device - LHCG-K

Due to our policy of continual product development, dimensions, weights and specifications may change without prior notice. Please check with your Tiger sales team when ordering.

Bespoke designs available on request – contact [info@tigerlifting.com](mailto:info@tigerlifting.com) for more information.

**Our innovation, your safety**