



# Tiger Lifting



[www.tigerlifting.com](http://www.tigerlifting.com)

**Tiger**

Home of the Tiger hoisting, winching and height safety ranges

## Tiger Adjustable Angle Beam Clamp

Model No. BCA



### Main Features

- 1.0t and 3.0t capacities available
- Quick and versatile rigging point for hoisting equipment when attached to overhead steel angle section approved for lifting applications
- Shackle suspension point
- V shaped clamping jaws ensures safe and secure grip
- Designed to accommodate a wide range of steel angle sections
- No tools required – integrated adjusting screw spindle
- Operating temperature of -50°C to +50°C
- 4:1 factor of safety

These units meet and exceed all the requirements within BS EN 13155:2003+A2:2009 and AS4991.

### Certification:

Each unit comes fully certified with a test certificate or an EC Declaration of Conformity stating compliance with the essential health and safety requirements of the Machinery Directive 2006/42/EC.





# Tiger Lifting

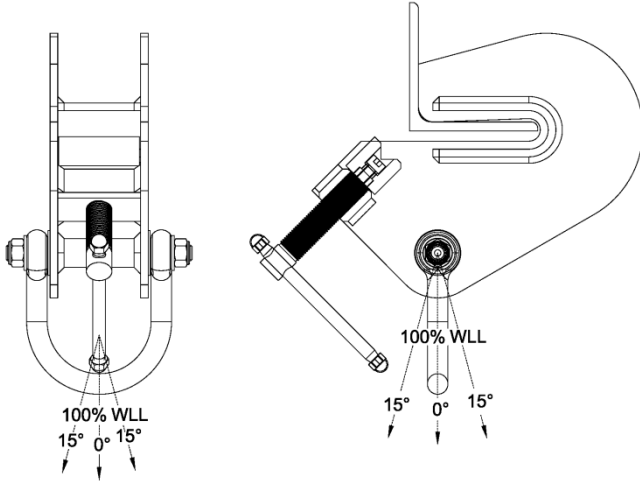


[www.tigerlifting.com](http://www.tigerlifting.com)

**Tiger**

Home of the Tiger hoisting, winching and height safety ranges

This BCA clamp serves as an anchor or lifting point when attached to an overhead steel angle section approved for lifting applications. This clamp can be used up to a maximum of 15° from the vertical.



**Warning:**

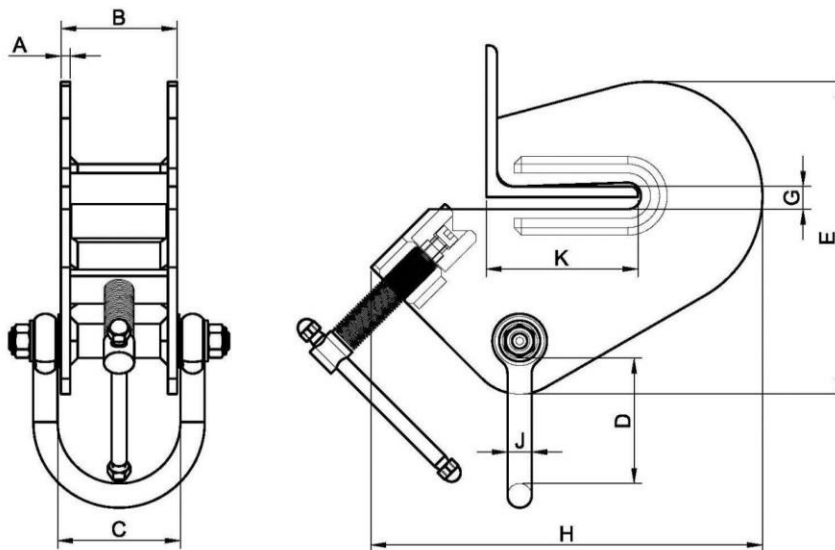
Ensure the handle is fully tight before commencing operation.

**Recommendation:**

We advise that structural calculations are carried out on all beams and supporting steel work by qualified engineering departments to ensure safe operation.

**Technical Data**

Product Code	Capacity (tonne)	Dimensions (mm)									Net Weight (kg)
		A	B	C	D	E	G	H	J	K	
BCA-0100	1.0	6	76	81	83	206	15	258	16	38-101	5.5
BCA-0300	3.0	10	106	112	104	343	25	490	22	101-203	23.5



Due to our policy of continual product development, dimensions, weights and specifications may change without prior notice. Please check with your Tiger sales team when ordering.

