



Tiger Lifting



www.tigerlifting.com

Tiger

Home of the Tiger hoisting, winching and height safety ranges

Tiger Adjustable Beam Clamp

Model No. BC



Main Features

- Range from 1.0t to 10.0t
- Quick and versatile rigging point for hoisting equipment
- Low headroom because of the built in anchor point
- Highly flexible – for lifting, pulling or as an anchor point
- Multidirectional adjusting screw spindle ensures a high clamping force to the various flange sizes within its capacity
- Wide Beam flange adjustment range - Beam width range 75mm to 350mm
- Operating temperature of -50°C to +50°C
- 5:1 factor of safety
- Optional locking device



With optional locking device

These units meet and exceed all the requirements within BS EN 13155:2003+A2:2009 and AS4991.





Tiger Lifting



www.tigerlifting.com

Tiger

Home of the Tiger hoisting, winching and height safety ranges

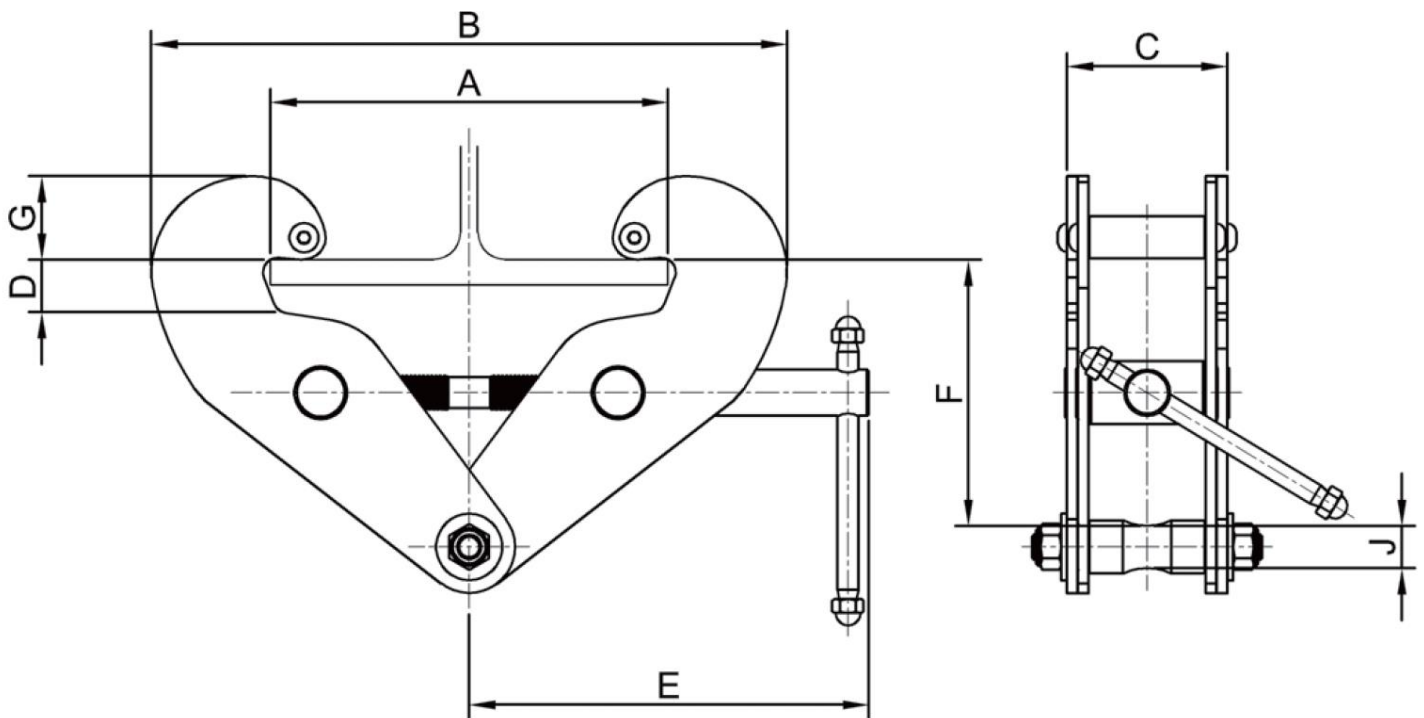
Certification:

Each unit comes fully certified with a test certificate or an EC Declaration of Conformity stating compliance with the essential health and safety requirements of the Machinery Directive 2006/42/EC.

Technical Data

Product Code	Capacity (tonne)	Dimensions (mm)								Net Weight (kg)
		A	B	C	D	E	F	G	øJ	
BC-0100	1.0	75-210	182-328	77	26	190	144-117	52-38	ø20	4.0
BC-0200	2.0	75-210	182-328	85	26	190	144-117	52-38	ø20	4.5
BC-0300	3.0	75-305	214-460	107	35	240	224-179	58-40	ø22	8.0
BC-0500	5.0	75-305	214-460	121	35	240	224-175	58-40	ø28	10.0
BC-1000	10.0	120-350	295-510	182	36	300	222-171	71-54	ø43	24.5

Technical Drawing



Due to our policy of continual product development, dimensions, weights and specifications may change without prior notice. Please check with your Tiger sales team when ordering.

