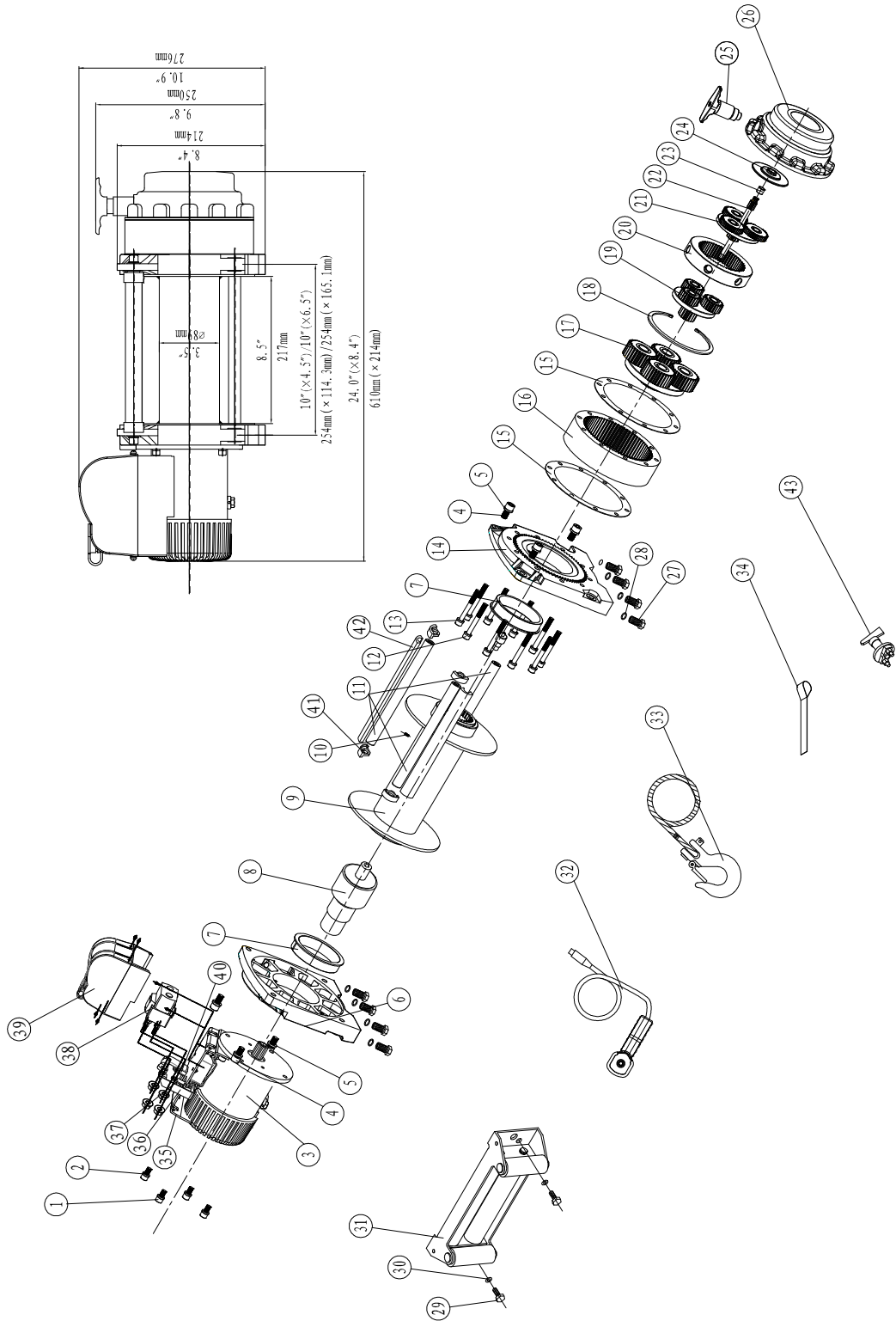




# Samurai 2000 Winch Assembly Drawing



## WINCH PARTS LIST

### S20000

No.	Part #	Qty	Description	Remark
1	S2000001	4	Screw M8 x 25	
2	S2000002	4	Lock Washer $\Phi$ 8	
3	S2000100	1	Motor Assembly	
4	S2000003	6	Screw M10 x 30	
5	S2000004	6	Lock Washer $\Phi$ 10	
6	S2000005	1	Motor Bracket	
7	S2000006	2	Bushing-Drum	
8	S2000200	1	Break/shift Assembly	
9	S2000300	1	Drum Assembly	
10	S2000007	1	Screw M8 $\times$ 10	
11	S2000008	3	Tie Bar	
12	S2000009	10	Screw M8 x 70	
13	S2000010	10	Lock Washer $\Phi$ 8	
14	S2000011	1	End Bearing	
15	S2000012	2	Gasket	
16	S2000013	1	Gear—Ring (Output)	
17	S2000400	1	Gear Carrier Assembly (Output)	
18	S2000014	1	Circlip For Hole	
19	S2000500	1	Gear Carrier Assembly (Intermediate)	
20	S2000015	1	Gear—Ring (Intermediate)	
21	S2000600	1	Gear Carrier Assembly (Input)	
22	S2000016	1	Gear—Input Sun	
23	S2000017	1	Shaft Sleeve	
24	S2000018	1	Trust Washer	
25	S2000700	1	Clutch Assembly	
26	S2000019	1	Gear—Housing	
27	S2000020	8	Screw M12 $\times$ 30	
28	S2000021	8	Lock Washer $\Phi$ 12	
29	S2000022	2	Screw M10 $\times$ 35	
30	S2000004	2	Lock Washer $\Phi$ 10	
31	S2000800	1	Roller Fairlead	
32	S2000900	1	Remote Control Switch (RC3)	
33	S2001000	1	Cable Assembly	
34	S2000023	1	Strap	
35	S2000024	1	Mounting Play	
36	S2000025	1	Connecting Piece	
37	S2000026	1	Connecting Piece	
38	S2001100	1	Relay With Screw Assembly	
39	S2001200	1	Cover With Screw Assembly	
40	S2000027	1	Connecting Piece	
41	S2000028	4	Connecting Block	
42	S2000029	2	Connecting Rod Sets	
43	S2001300	1	Battery Switch	