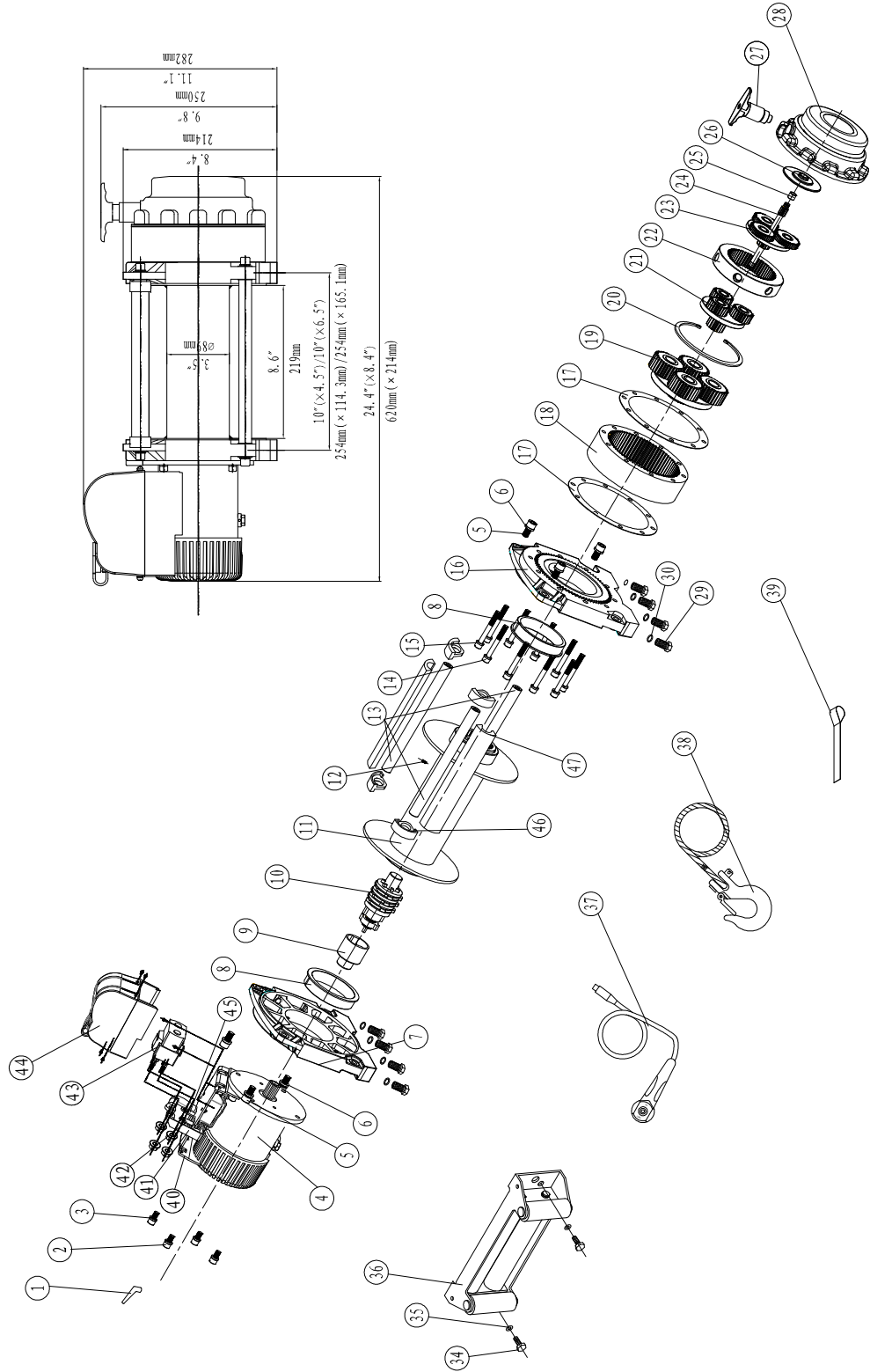




Samurai 17500 Winch Assembly Drawing



WINCH PARTS LIST**S17500**

No.	Part #	Qty	Description	Remark
1	S1750001	3	Terminal Protector	
2	S1750002	4	Screw M8 x 20	
3	S1750003	4	Lock Washer $\Phi 8$	
4	S1750100	1	Motor Assembly	
5	S1750004	6	Screw M10 x 35	
6	S1750005	6	Lock Washer $\Phi 10$	
7	S1750006	1	Motor Bracket	
8	S1750007	2	Bushing-Drum	
9	S1750008	1	Coupling	
10	S1750200	1	Break/shift Assembly	
11	S1750300	1	Drum Assembly	
12	S1750009	1	Screw M8 \times 10	
13	S1750010	3	Tie Bar	
14	S1750011	10	Screw M8 x 70	
15	S1750003	10	Lock Washer $\Phi 8$	
16	S1750012	1	End Bearing	
17	S1750013	2	Gasket	
18	S1750014	1	Gear—Ring (Output)	
19	S1750400	1	Gear Carrier Assembly (Output)	
20	S1750015	1	Circlip For Hole	
21	S1750500	1	Gear Carrier Assembly (Intermediate)	
22	S1750016	1	Gear—Ring (Intermediate)	
23	S1750600	1	Gear Carrier Assembly (Input)	
24	S1750017	1	Gear—Input Sun	
25	S1750018	1	Shaft Sleeve	
26	S1750019	1	Trust Washer	
27	S1750700	1	Clutch Assembly	
28	S1750020	1	Gear—Housing	
29	S1750021	8	Screw M12 \times 35	
30	S1750022	8	Lock Washer $\Phi 12$	
31	S1750023	2	Lock Washer $\Phi 5$	
32	S1750024	2	Screw M5 \times 10	
33	S1750800	1	Control Box Assembly	
34	S1750025	2	Screw M12 \times 30	
35	S1750022	2	Lock Washer $\Phi 12$	
36	S1750900	1	Roller Fairlead	
37	S1751000	1	Remote Control Switch (RC3)	
38	S1751100	1	Cable Assembly	
39	S1750026	1	Strap	
40	S1750027	1	Mounting Play	
41	S1750028	1	Connecting Piece	
42	S1750029	1	Connecting Piece	
43	S1751200	1	Relay With Screw Assembly	
44	S1751300	1	Cover With Screw Assembly	
45	S1750030	1	Connecting Piece	
46	S1750031	4	Connecting Block	
47	S1750032	2	Connecting Rod Sets	