

Product number: IN-2482

727
[28.64]
Max

Ø 77,8
[3.062]

314
[12.38]

318
[12.50]

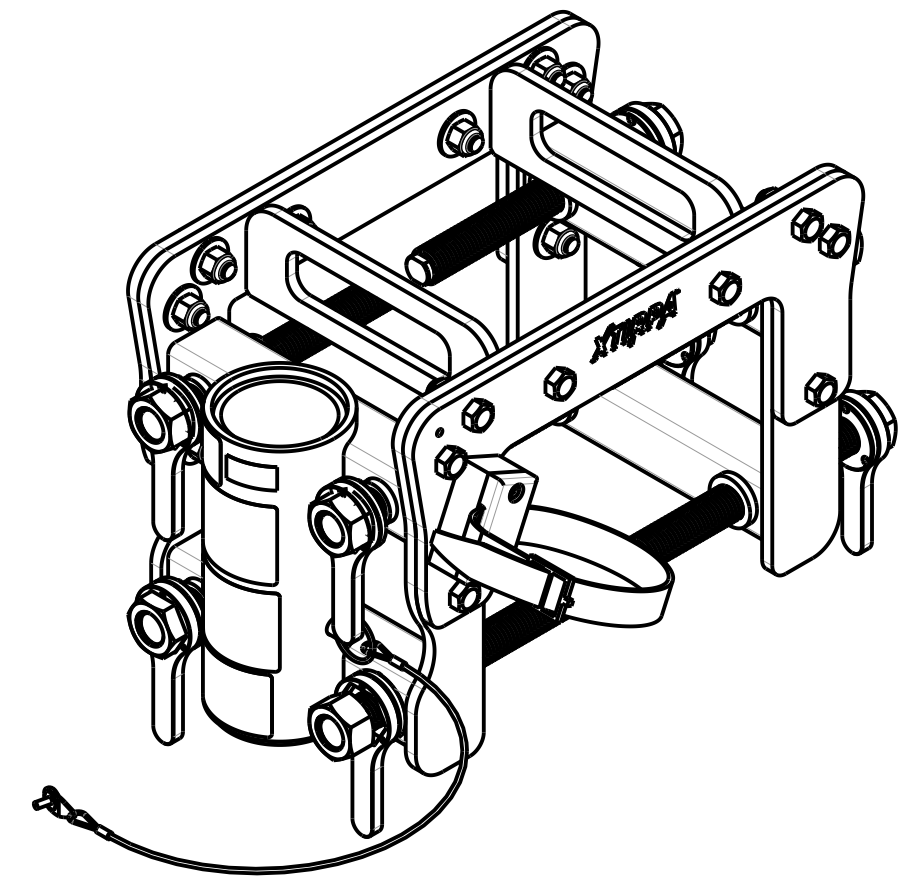
Ladder attachment system

Ø 13,1
[0.516]

241
[9.50]

267 Max
[10.50]

51
[2.00] Min



PAT. NO. :				
PRODUITS DE SERVICE PUBLICS INNOVA INC. INNOVA PUBLIC UTILITY PRODUCTS INC.				
<small>© 9105-0732 QUEBEC INC. and under exclusive license to INNOVA PUBLIC UTILITY PRODUCTS INC., (hereafter « INNOVA »). All rights reserved. Protected under the Copyright Act of Canada and international treaties and agreements regarding copyrights. Violators are subject to prosecution and other legal recourses for infringement. Any reproduction, adaptation or other use or disclosure whatsoever, in totality or in part, and in any form or by any means whatsoever, strictly forbidden and requires the prior written approval of INNOVA. All data is the exclusive property of 9105-0732 QUEBEC INC. and under exclusive license to INNOVA and cannot be used nor disclosed in any way either without the prior written approval of INNOVA.</small>				
WEIGHT:	TITLE:			
50 Lb	76mm (3") Shoring Adapter			
23 Kg	51mm-267mm (2"-10-1/2")			
COLOR:	Material:	SHEET(S):	PROJET:	Rev.
	Aluminum	1 / 4	IN-2482	01

Product number: IN-2482

Recommendations:

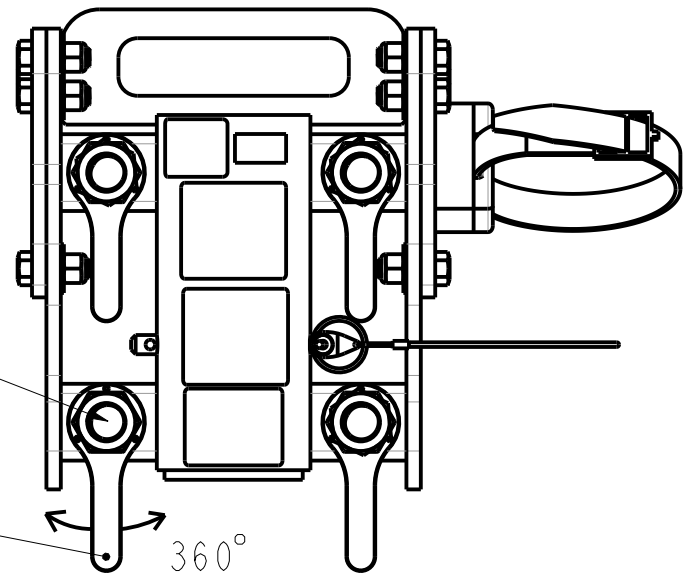
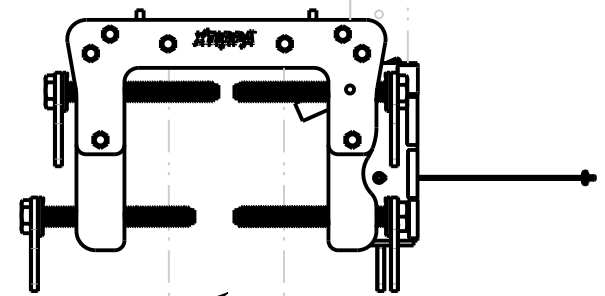
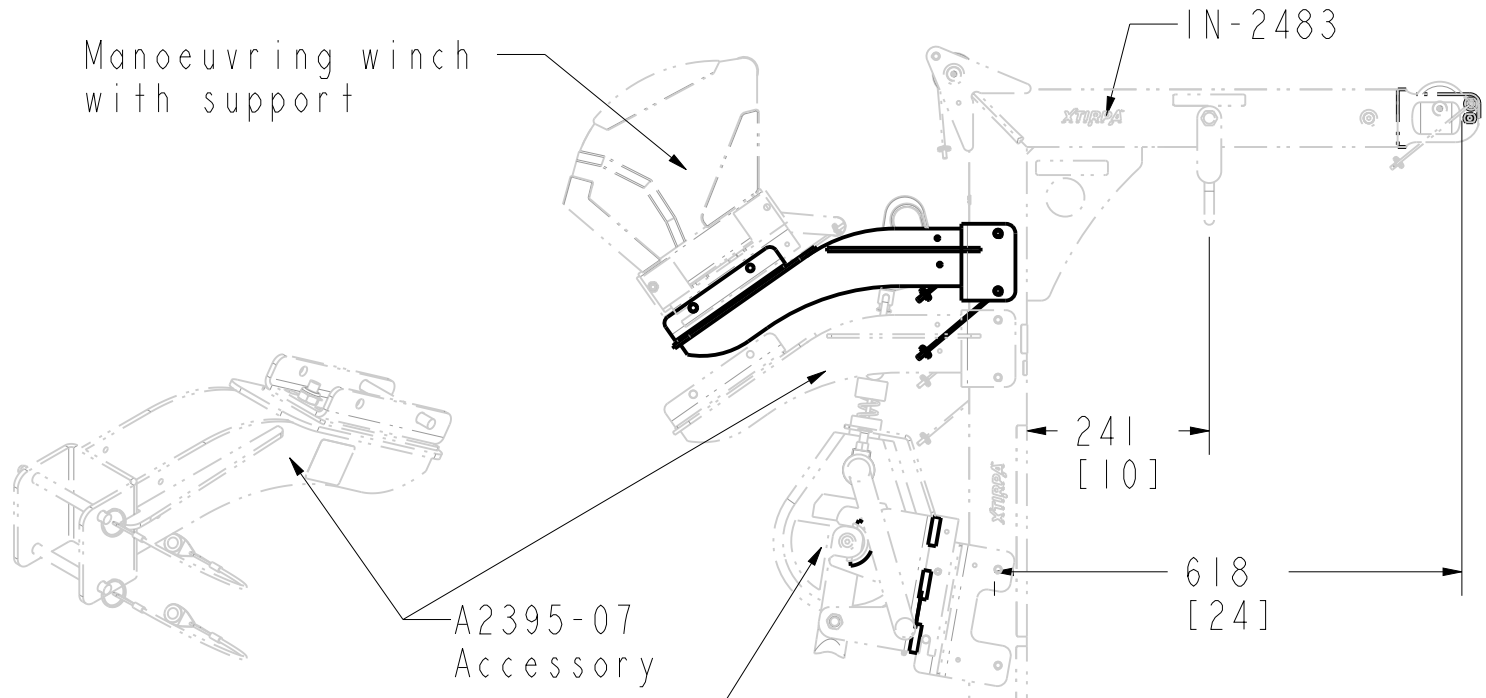
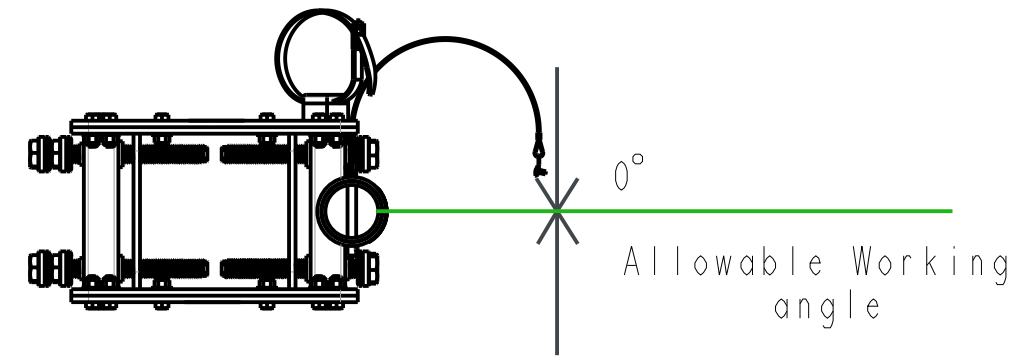
Concrete must be made of 0,2% gross area rebar reinforced 13.8 MPa (2000psi) or better
 Minimum thickness of 178mm (7'')

OR

Non reinforced Concrete
 13.8 MPa (2000psi) or better.
 Minimum thickness of 286mm (11 1/4")

Moment capacity:

9,762 N-m (86,400 lbf-in)
 Vertical load: 22,241 N (5,000 lbf).
 N.B. It is the responsibility of the field engineer to assure installation compliance.




Concrete Wall
 (Steel, Aluminum and wood must also meet vertical and moment loadings).

Torque to
 25-30 ft-lbf
 (34-41 Nm)

or
 Hand tighten
 25-30 ft-lbf
 (34-41 Nm)

360°
 typ.

PAT. NO.:				
PRODUITS DE SERVICE PUBLICS INNOVA INC. INNOVA PUBLIC UTILITY PRODUCTS INC.				
<small>© 9105-0732 QUEBEC INC. and under exclusive license to INNOVA PUBLIC UTILITY PRODUCTS INC., (hereafter « INNOVA »). All rights reserved. Protected under the Copyright Act of Canada and international treaties and agreements regarding copyrights. Violators are subject to prosecution and other legal recourses for infringement. Any reproduction, adaptation or other use or disclosure whatsoever, in totality or in part, and in any form or by any means whatsoever, strictly forbidden and requires the prior written approval of INNOVA. All data is the exclusive property of 9105-0732 QUEBEC INC. and under exclusive license to INNOVA and cannot be used nor disclosed in any way either without the prior written approval of INNOVA.</small>				
WEIGHT:	TITLE:			
50 Lb	76mm (3") Shoring Adapter 51mm-267mm (2"-10-1/2")			
23 Kg				
COLOR:	Material:	SHEET(S):	PROJET:	Rev.
	Aluminum	2 / 4	IN-2482	01

Product number: IN-2482

SPECIFICATIONS

H This equipment is considered as part of a personal fall arrest system (PFAS) with a maximum working capacity of 164 Kg (360 lb).

It is only to be used in conjunction with a personal fall arrest system that limits the maximum arrest force (MAF).

G Maximum working moment : 976 N-m (8,640 lbf-in)
Maximum moment : 9,762 N-m (86,400 lbf-in)

STANDARDS

F Meets the following standards:
OSHA Personal fall arrest system - 1910.66 App C
ANSI Safety requirements for personal fall arrest system, subsystems and components Z359.1 / 2007
CE EN 795: 2012 Type B
CEN/TS 16415: 2013 (2 Users)

MATERIAL AND CONSTRUCTION

E Structure : Structural Aluminum
Sleeve bearing : PVC pipe
Hardware : Zinc plated steel
Clamping Rod : Zinc plated steel
Reinforcement plates : Zinc plated steel
Pin : Stainless steel
D Lanyard : Nylon covered stainless steel cable
Welding certification : CSA W47,2M CSA W59 & 47.1

RESTRICTIONS

This product is to be used only with products approved by Innova Public Utility Products inc.

C IMPORTANT :

All adjustment bolts shall be used at all times on each side of the structure.

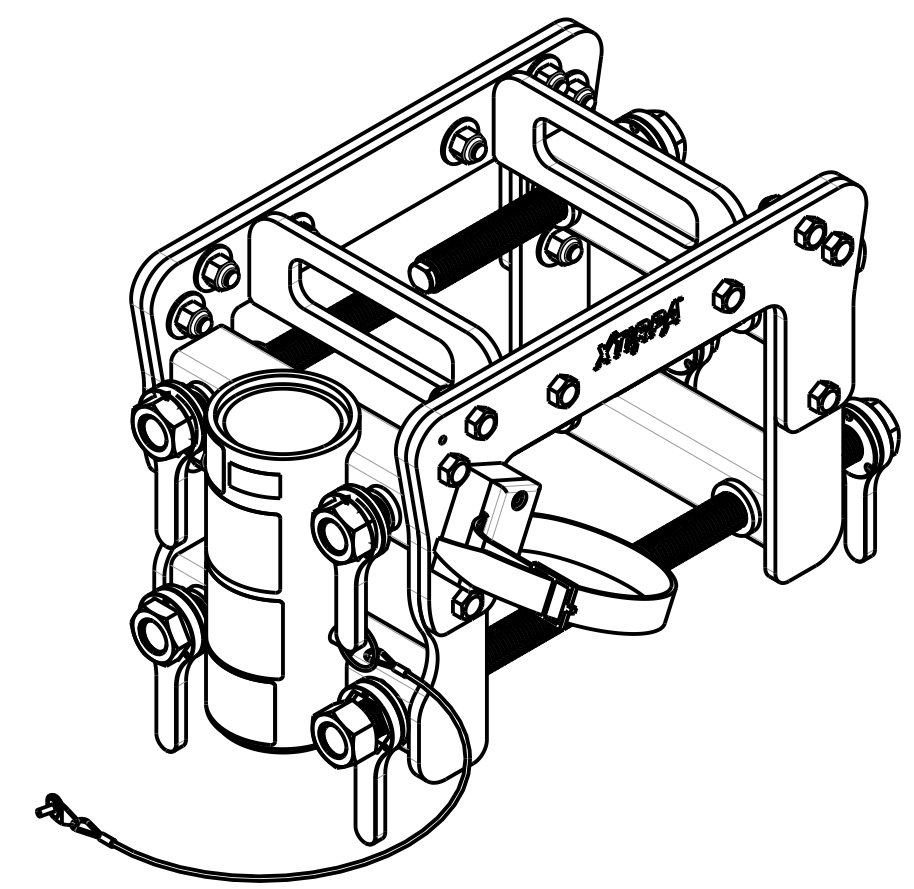
B Always use the product perpendicular to the wall. It is not considered as a permanent structure.


**The positioning pin must always be in place when manoeuvring personnel. Otherwise, serious injuries may occur.

Periodic inspections of hardware must be done.

A In the occurrence of a fall or the safety of the equipment is in doubt, equipment must be immediately removed from service and inspected by qualified personnel before reuse.

** This equipment must always be operated in a level position.



PAT. NO. :				
PRODUITS DE SERVICE PUBLICS INNOVA INC. INNOVA PUBLIC UTILITY PRODUCTS INC.				
© 9105-0732 QUEBEC INC. and under exclusive license to INNOVA PUBLIC UTILITY PRODUCTS INC., (hereafter « INNOVA »). All rights reserved. Protected under the Copyright Act of Canada and international treaties and agreements regarding copyrights. Violators are subject to prosecution and other legal recourses for infringement. Any reproduction, adaptation or other use or disclosure whatsoever, in totality or in part, and in any form or by any means whatsoever, strictly forbidden and requires the prior written approval of INNOVA. All data is the exclusive property of 9105-0732 QUEBEC INC. and under exclusive license to INNOVA and cannot be used nor disclosed in any way either without the prior written approval of INNOVA.				
WEIGHT:	TITLE:			
50 Lb	76mm (3") Shoring Adapter			
23 Kg	51mm-267mm (2"-10-1/2")			
COLOR:	Material:	SHEET(S):	PROJET:	Rev.
	Aluminum	3 / 4	IN-2482	01

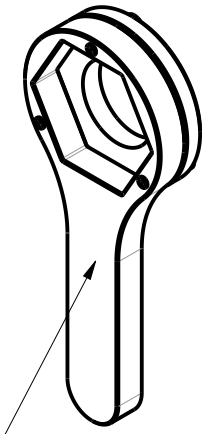
Product number: IN-2482

P2482-019P
8x

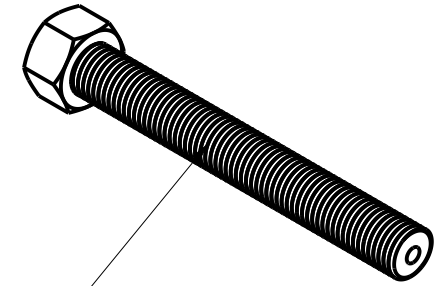
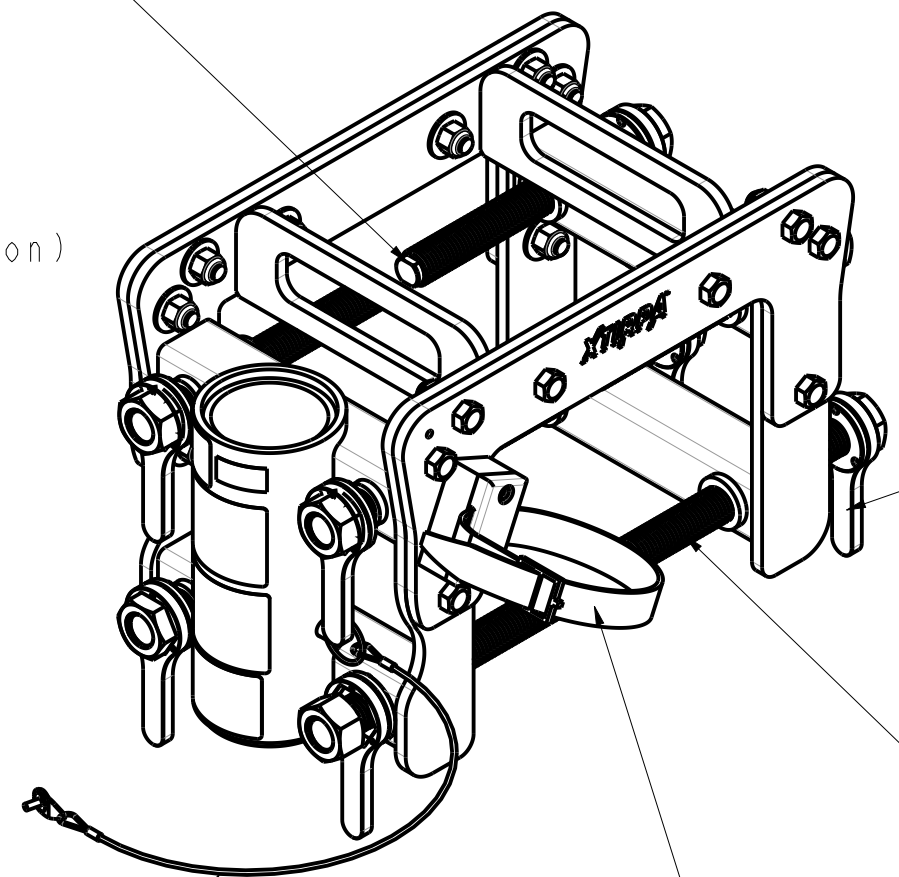


Or

A2482-15 (Option)
8x

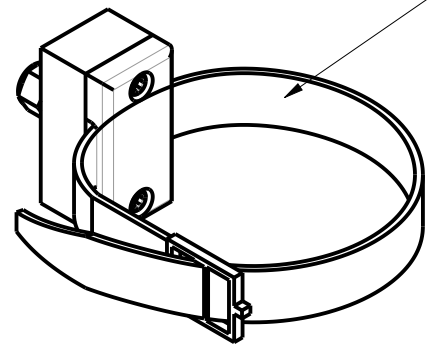


A2482-06
8x

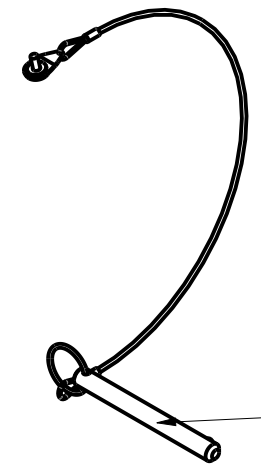


A2482-09P
8x

A2482-07
1x



A2482-10
1x



PAT. NO.:	

PRODUITS DE SERVICE PUBLICS INNOVA INC.
INNOVA PUBLIC UTILITY PRODUCTS INC.

© 9105-0732 QUEBEC INC. and under exclusive license to INNOVA PUBLIC UTILITY PRODUCTS INC., (hereafter « INNOVA »). All rights reserved. Protected under the Copyright Act of Canada and international treaties and agreements regarding copyrights. Violators are subject to prosecution and other legal recourses for infringement. Any reproduction, adaptation or other use or disclosure whatsoever, in totality or in part, and in any form or by any means whatsoever, strictly forbidden and requires the prior written approval of INNOVA. All data is the exclusive property of 9105-0732 QUEBEC INC. and under exclusive license to INNOVA and cannot be used nor disclosed in any way either without the prior written approval of INNOVA.

WEIGHT:	TITLE:			
50 Lb	76mm (3") Shoring Adapter 51mm-267mm (2"-10-1/2")			
23 Kg				

COLOR:	Material:	SHEET(S):	PROJET:	Rev.
	Aluminum	4 / 4	IN-2482	01