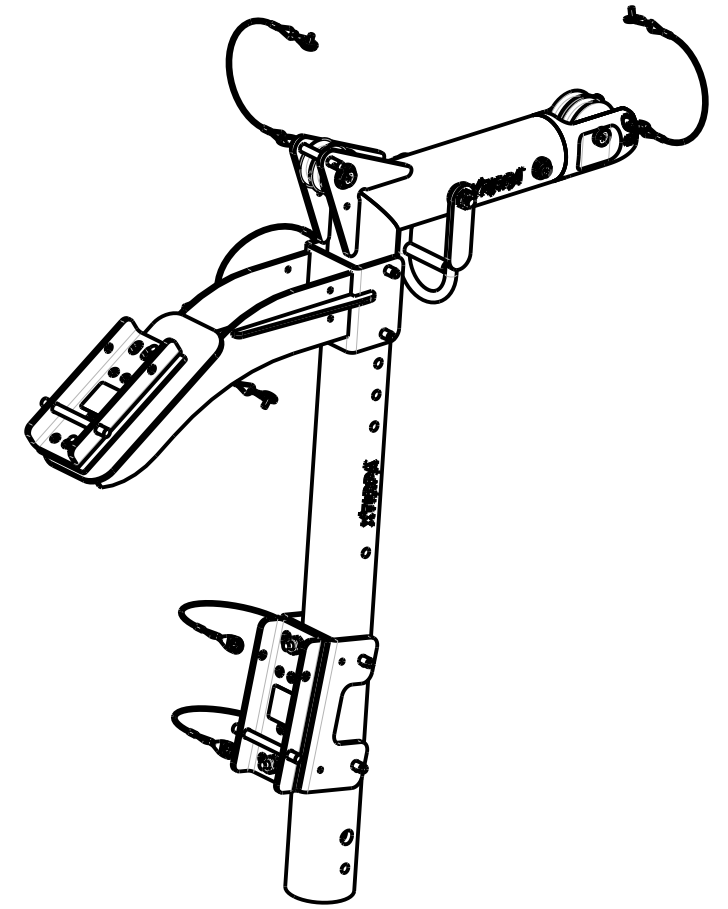
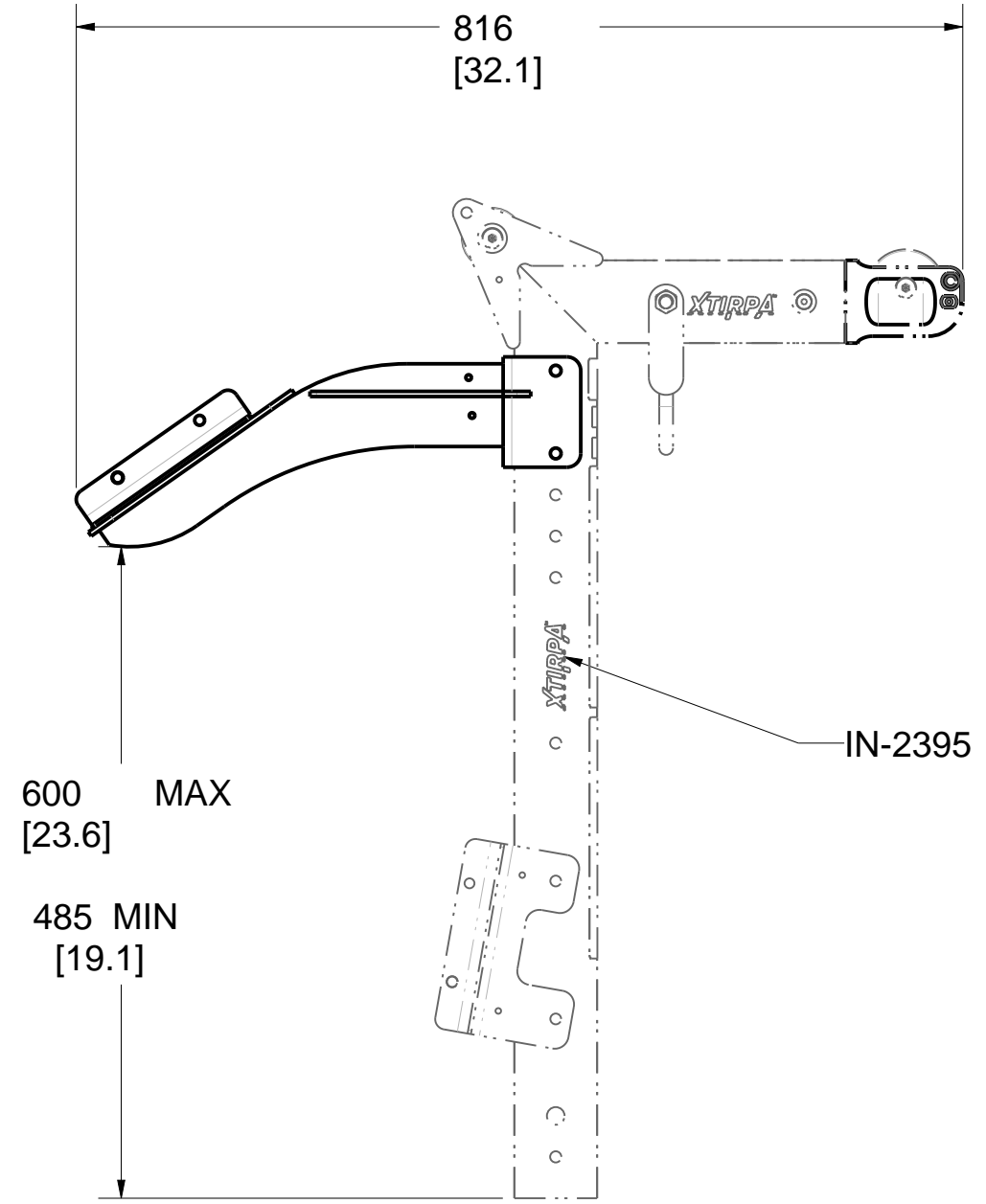


PAT. NO.:		©22/02/2017	©
PRODUITS DE SERVICE PUBLICS INNOVA INC. INNOVA PUBLIC UTILITY PRODUCTS INC.			
© 9105-0732 QUEBEC INC. and under exclusive license to INNOVA PUBLIC UTILITY PRODUCTS INC., (hereafter « INNOVA »). All rights reserved. Protected under the Copyright Act of Canada and international treaties and agreements regarding copyrights. Violators are subject to prosecution and other legal recourses for infringement. Any reproduction, adaptation or other use or disclosure whatsoever, in totality or in part, and in any form or by any means whatsoever, strictly forbidden and requires the prior written approval of INNOVA. All data is the exclusive property of 9105-0732 QUEBEC INC. and under exclusive license to INNOVA and cannot be used nor disclosed in any way either without the prior written approval of INNOVA.			
WEIGHT:	TITLE:		
11.0 Lb	Offset adapter for winch brackets (ACC.)		
5.0 Kg			
COLOR:	MATERIAL:	SHEET(S):	PROJECT:
Clear zinc plated	Steel 50W	1 / 3	A2395-07

Product number: A2395-07



PAT. NO.:		©22/02/2017 ©	
PRODUITS DE SERVICE PUBLICS INNOVA INC. INNOVA PUBLIC UTILITY PRODUCTS INC.			
<small>© 9105-0732 QUEBEC INC. and under exclusive license to INNOVA PUBLIC UTILITY PRODUCTS INC., (hereafter « INNOVA »). All rights reserved. Protected under the Copyright Act of Canada and international treaties and agreements regarding copyrights. Violators are subject to prosecution and other legal recourses for infringement. Any reproduction, adaptation or other use or disclosure whatsoever, in totality or in part, and in any form or by any means whatsoever, strictly forbidden and requires the prior written approval of INNOVA. All data is the exclusive property of 9105-0732 QUEBEC INC. and under exclusive license to INNOVA and cannot be used nor disclosed in any way either without the prior written approval of INNOVA.</small>			
WEIGHT:	TITLE:		
11.0 Lb	Offset adapter for winch brackets (ACC.)		
5.0 Kg			
COLOR:	MATERIAL:	SHEET(S):	PROJECT:
Clear zinc plated	Steel 50W	2 / 3	A2395-07

SPECIFICATIONS

This equipment is considered as part of a personal fall arrest system (PFAS) with a maximum working capacity of 164 Kg (360 lb).

It is only to be used in conjunction with a personal fall arrest system that limits the maximum arrest force (MAF).

Maximum Working Load (user + equipment) : 164 kg (360 lb)

Maximum Proof Load : 1,640 kg (3,600 lb)

STANDARDS

Meets the following standards:

OSHA Personal fall arrest system - 1910.66 App C

ANSI Safety requirements for personal fall arrest system, subsystems and components Z359.1 (R1999) / 2007

CAN/CSA Fall arresters, vertical lifelines, and rails Z259.2.1-98

CE EN 795: 2012 Type A and B

MATERIAL AND CONSTRUCTION

Body and supports : Steel 50W

Hardware :Stainless Steel

Pin : Stainless Steel

Lanyard : Nylon covered Stainless Steel Cable

Finish : Clear trivalent zinc plated (ASTM B-633-13,Type V, SC 3)

Welding Certification : CSA W59 & W47.1, AWS D1.6

RESTRICTIONS

Winch adapters are designed to function only with Innova Public Utility products inc. equipment.

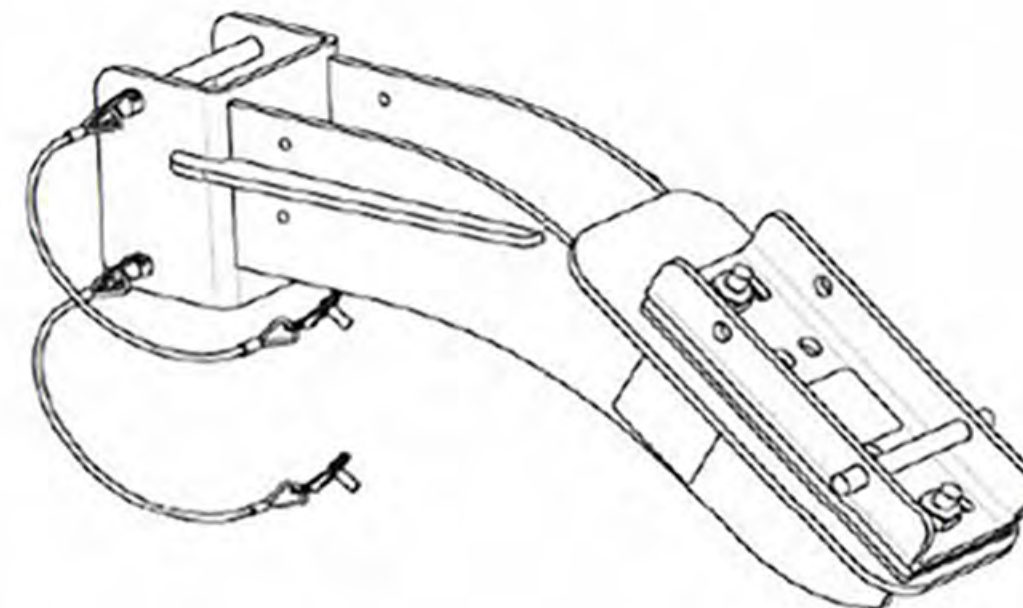
IMPORTANT:

The mounting pin and hardware must always be in place at all times. Always use the manufacturers original pin and hardware, No substitutes.

Periodic inspections of winch adapters must be done to ensure personnel safety.

In the occurrence of a fall or the safety of the equipment is in doubt, equipment must be immediately removed from service and inspected by qualified personnel before reuse.

Product number: A2395-07



PAT. NO. :		022/02/2017	0
PRODUITS DE SERVICE PUBLICS INNOVA INC. INNOVA PUBLIC UTILITY PRODUCTS INC.			
<small>© 2002-2012 INNOVA INC. and under exclusive license to INNOVA PUBLIC UTILITY PRODUCTS INC., all rights reserved. Protected under the Copyright Act of Canada and international treaties and agreements regarding copyright. Violators are subject to prosecution and other legal remedies for infringement. Any reproduction, adaptation or other use of this document, in whole or in part, and in any form or by any means whatsoever, strictly forbidden and requires the prior written approval of INNOVA. All data is the exclusive property of INNOVA-2012 INNOVA INC. and under exclusive license to INNOVA and cannot be used nor disclosed in any way without the prior written approval of INNOVA.</small>			
WEIGHT:	TITLE:		
11.0 Lb	Offset adapter for winch brackets (ACC)		
5.0 Kg			
COLOR:	MATERIAL:	SHEET(S):	PROJECT:
Clear zinc plated	Steel 50W	3 / 4	A2395-07

8

7

6

5

4

3

2

1

Product number: A2395-07

H

G

F

E

D

C

B

A

H

G

F

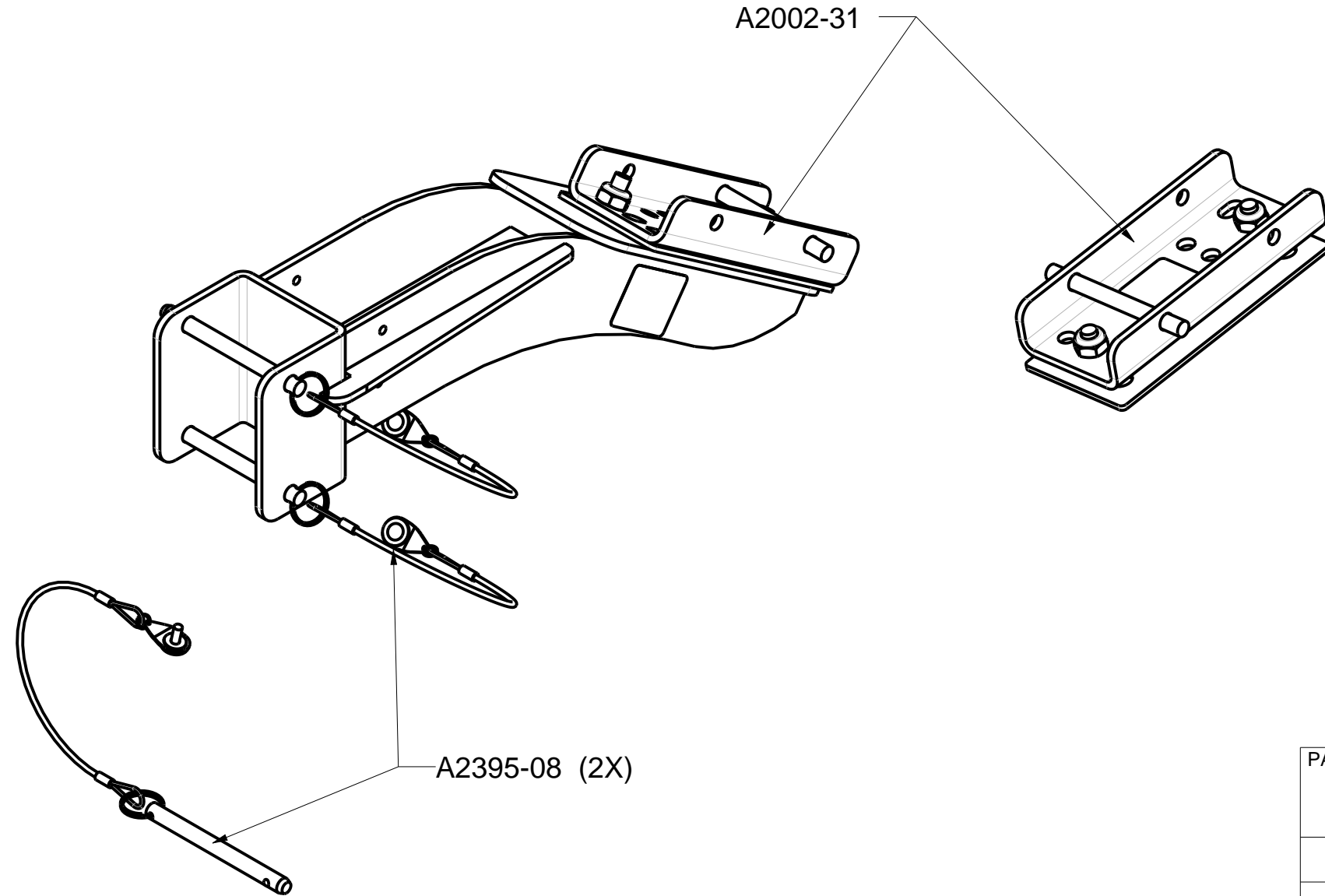
E

D

C

B

A



PAT. NO.:		©22/02/2017	©
PRODUITS DE SERVICE PUBLICS INNOVA INC. INNOVA PUBLIC UTILITY PRODUCTS INC.			
© 9105-0732 QUEBEC INC. and under exclusive license to INNOVA PUBLIC UTILITY PRODUCTS INC., (hereafter « INNOVA »). All rights reserved. Protected under the Copyright Act of Canada and international treaties and agreements regarding copyrights. Violators are subject to prosecution and other legal recourses for infringement. Any reproduction, adaptation or other use or disclosure whatsoever, in totality or in part, and in any form or by any means whatsoever, strictly forbidden and requires the prior written approval of INNOVA. All data is the exclusive property of 9105-0732 QUEBEC INC. and under exclusive license to INNOVA and cannot be used nor disclosed in any way either without the prior written approval of INNOVA.			
WEIGHT:	TITLE:		
11.0 Lb	Offset adapter for winch brackets (ACC.)		
5.0 Kg			
COLOR:	MATERIAL:	SHEET(S):	PROJECT:
Clear zinc plated	Steel 50W	3 / 3	A2395-07

8

7

6

5

4

3

2

1